

US00D696559S

(12) **United States Design Patent**
Song

(10) **Patent No.:** **US D696,559 S**

(45) **Date of Patent:** **** Dec. 31, 2013**

(54) **FOOD STORAGE CONTAINER**

(71) Applicant: **Sunrise Kitchen Co., Ltd.**, Gunpo-si (KR)

(72) Inventor: **Kwang Han Song**, Bucheon-si (KR)

(73) Assignee: **Sunrise Kitchen Co., Ltd.**, Gunpo-si, Gyeonggi-do (KR)

(**) Term: **14 Years**

(21) Appl. No.: **29/441,135**

(22) Filed: **Dec. 31, 2012**

(51) **LOC (9) Cl.** **07-07**

(52) **U.S. Cl.**
USPC **D7/629**

(58) **Field of Classification Search**
USPC D7/601, 602, 629, 630, 538-542;
220/780-806, 574-575, 675, 573.1,
220/660, 260, 288, 326, 236, 4.21, 23.83,
220/23.4, 4.24, 4.27, 669-673; D3/273,
D3/274, 201, 203.1-203.8; D9/424-432

See application file for complete search history.

(56) **References Cited**

U.S. PATENT DOCUMENTS

D279,952	S	*	8/1985	Daenen et al.	D7/629
4,819,824	A	*	4/1989	Longbottom et al.	220/266
4,976,370	A	*	12/1990	Cassel	220/792
D363,663	S	*	10/1995	Plater	D9/425
D489,975	S	*	5/2004	Jackson et al.	D9/425
D505,840	S	*	6/2005	Schultz et al.	D7/629
D551,515	S	*	9/2007	Ablo et al.	D7/629
D618,516	S	*	6/2010	DiPietro et al.	D7/629

* cited by examiner

Primary Examiner — Terry Wallace

(74) *Attorney, Agent, or Firm* — Novick, Kim & Lee, PLLC; Jae Youn Kim

(57) **CLAIM**

I claim, the ornamental design for a food storage container, as shown and described.

DESCRIPTION

FIG. 1 is a perspective view of a food storage container, showing my new design;
FIG. 2 is a front elevational view thereof;
FIG. 3 is a rear elevational view thereof;
FIG. 4 is a left side elevational view thereof;
FIG. 5 is a right side elevational view thereof;
FIG. 6 is a top plan view thereof;
FIG. 7 is a bottom plan view thereof; and,
FIG. 8 is a sectional view thereof.

1 Claim, 8 Drawing Sheets

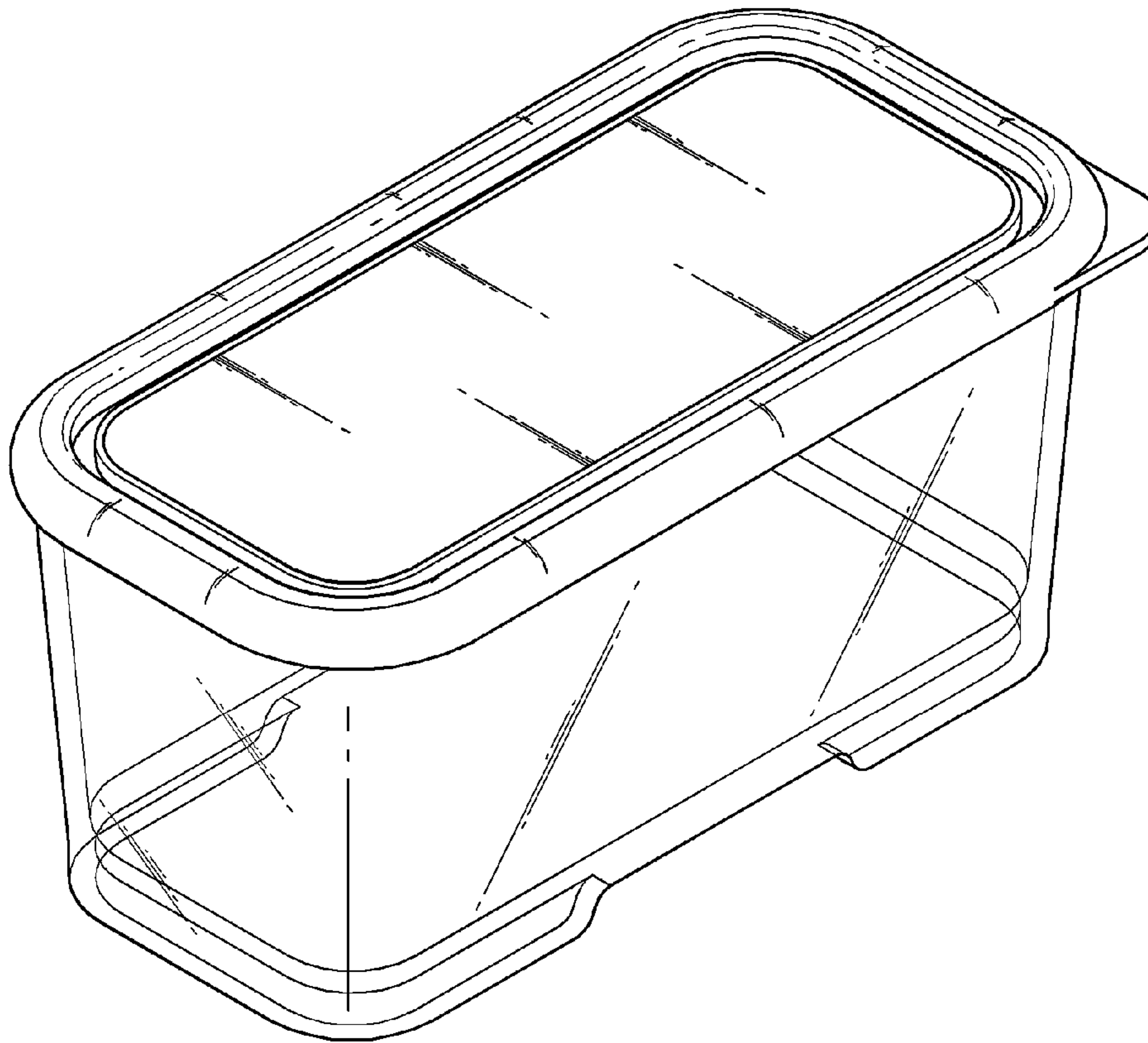


FIG. 1

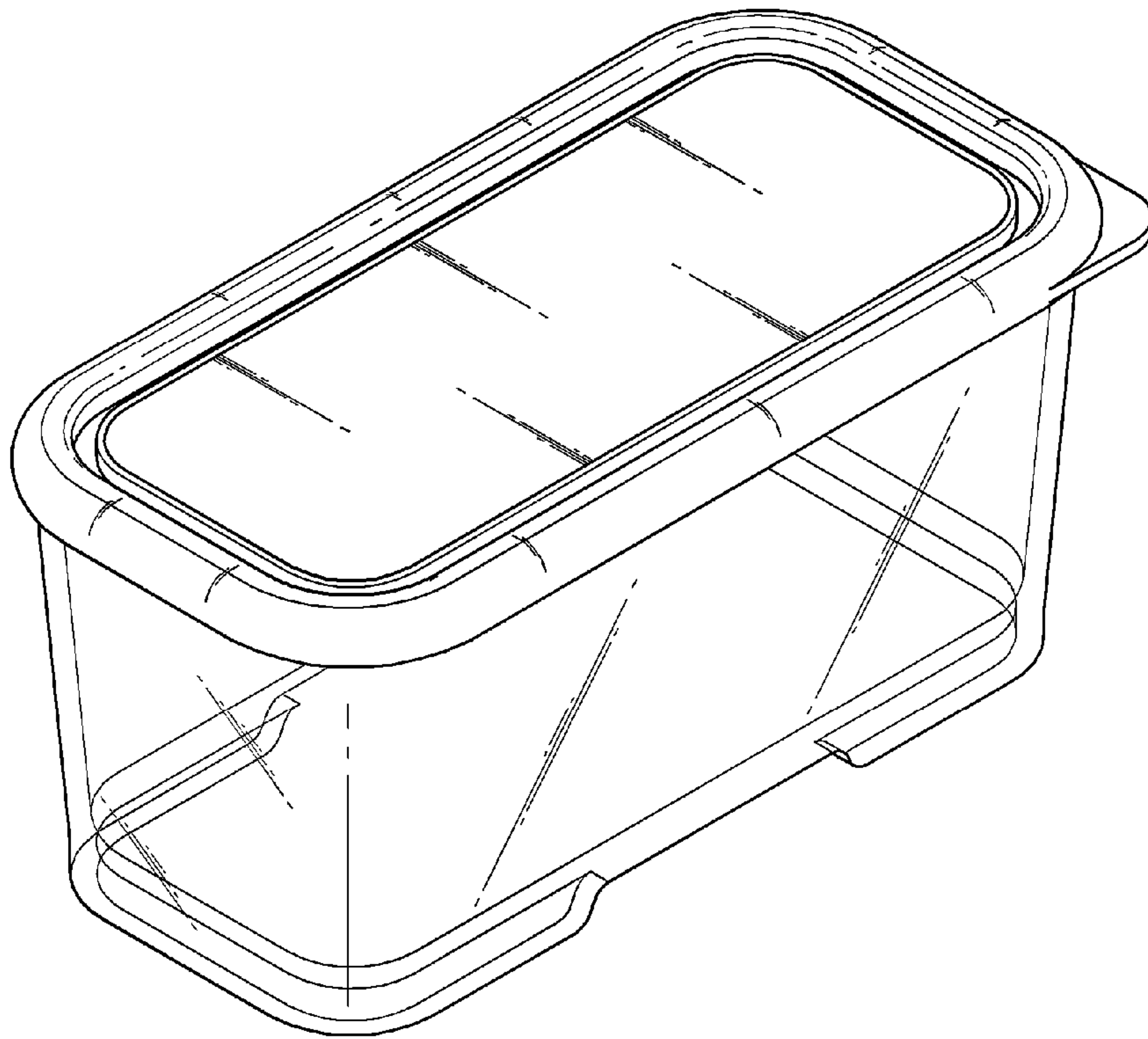


FIG. 2

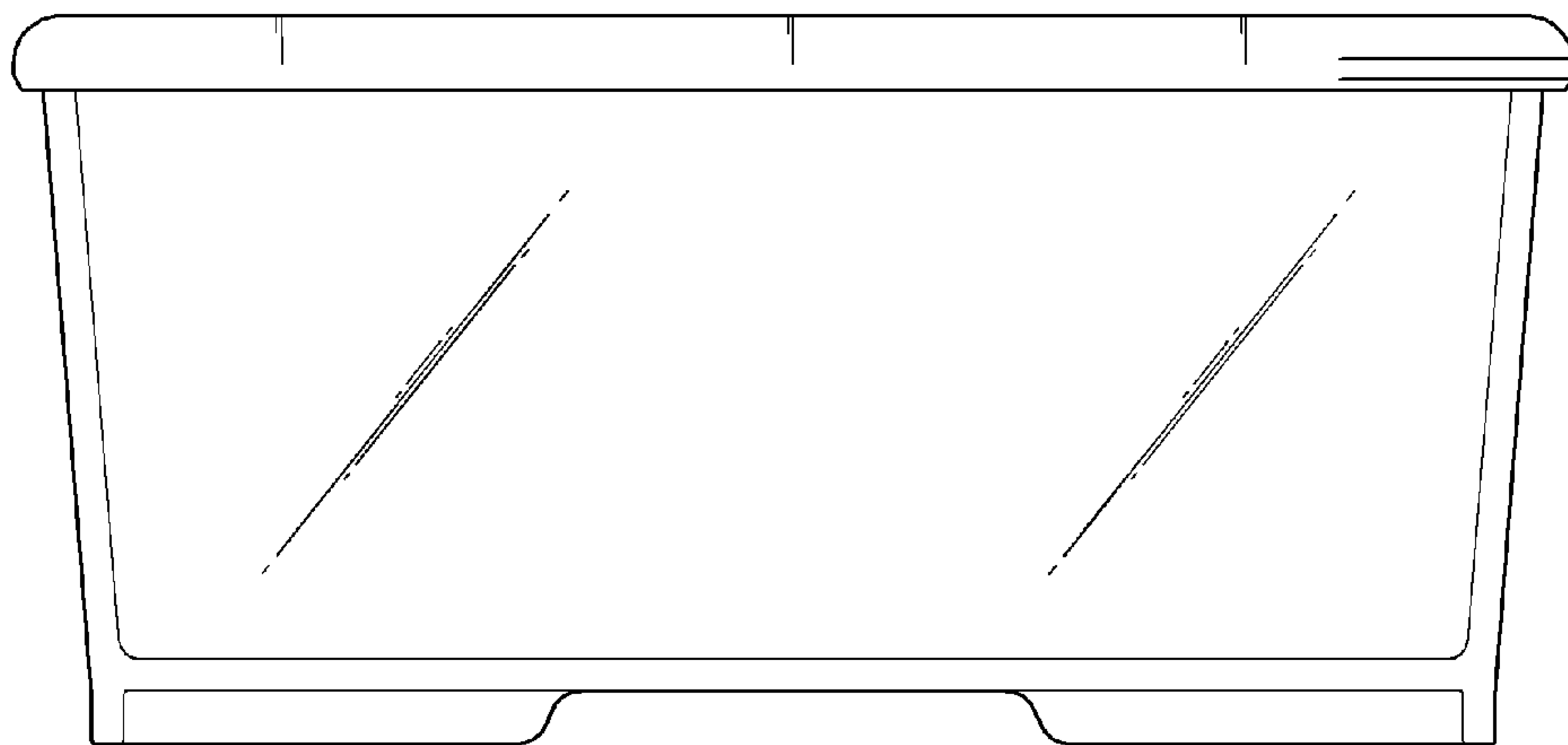


FIG. 3

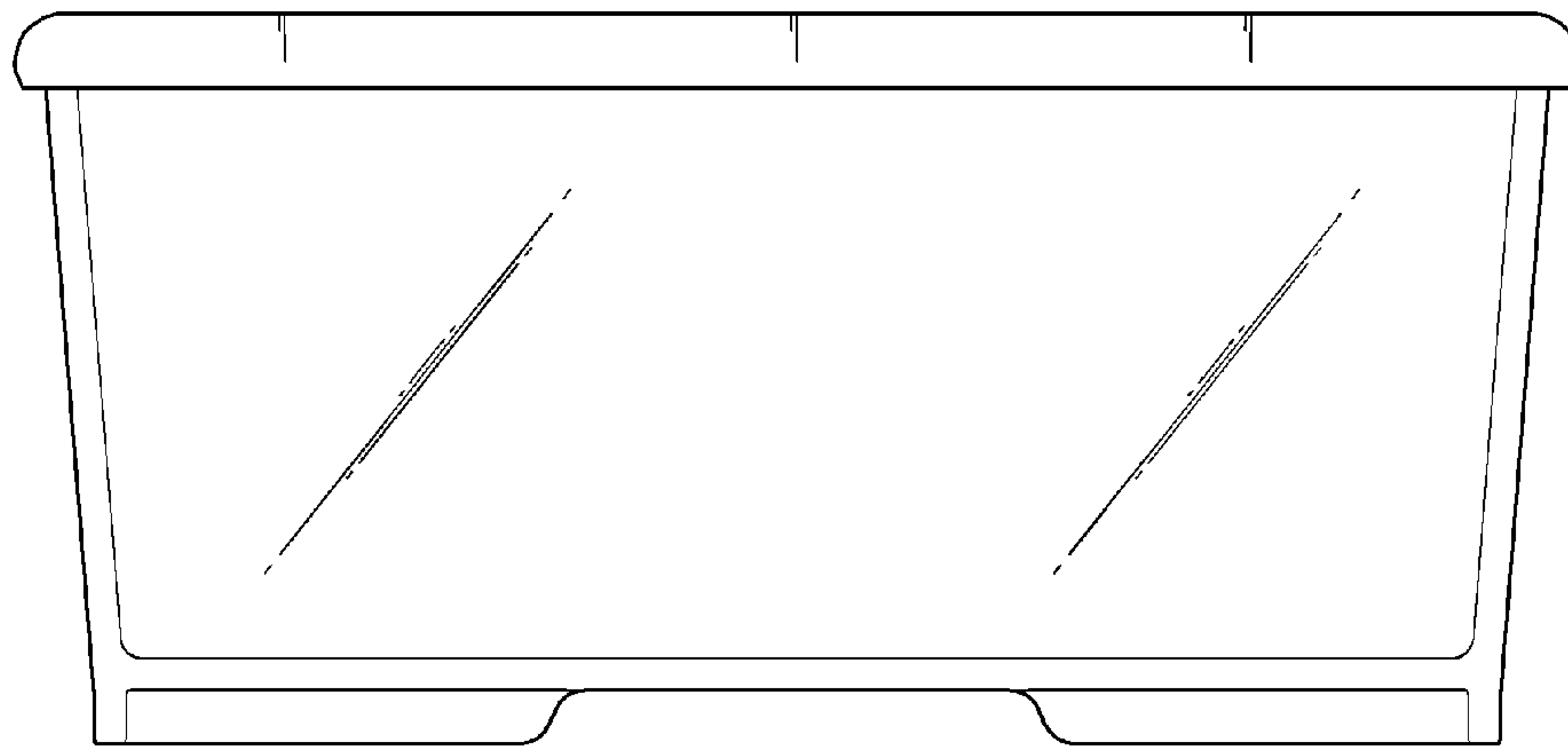


FIG. 4

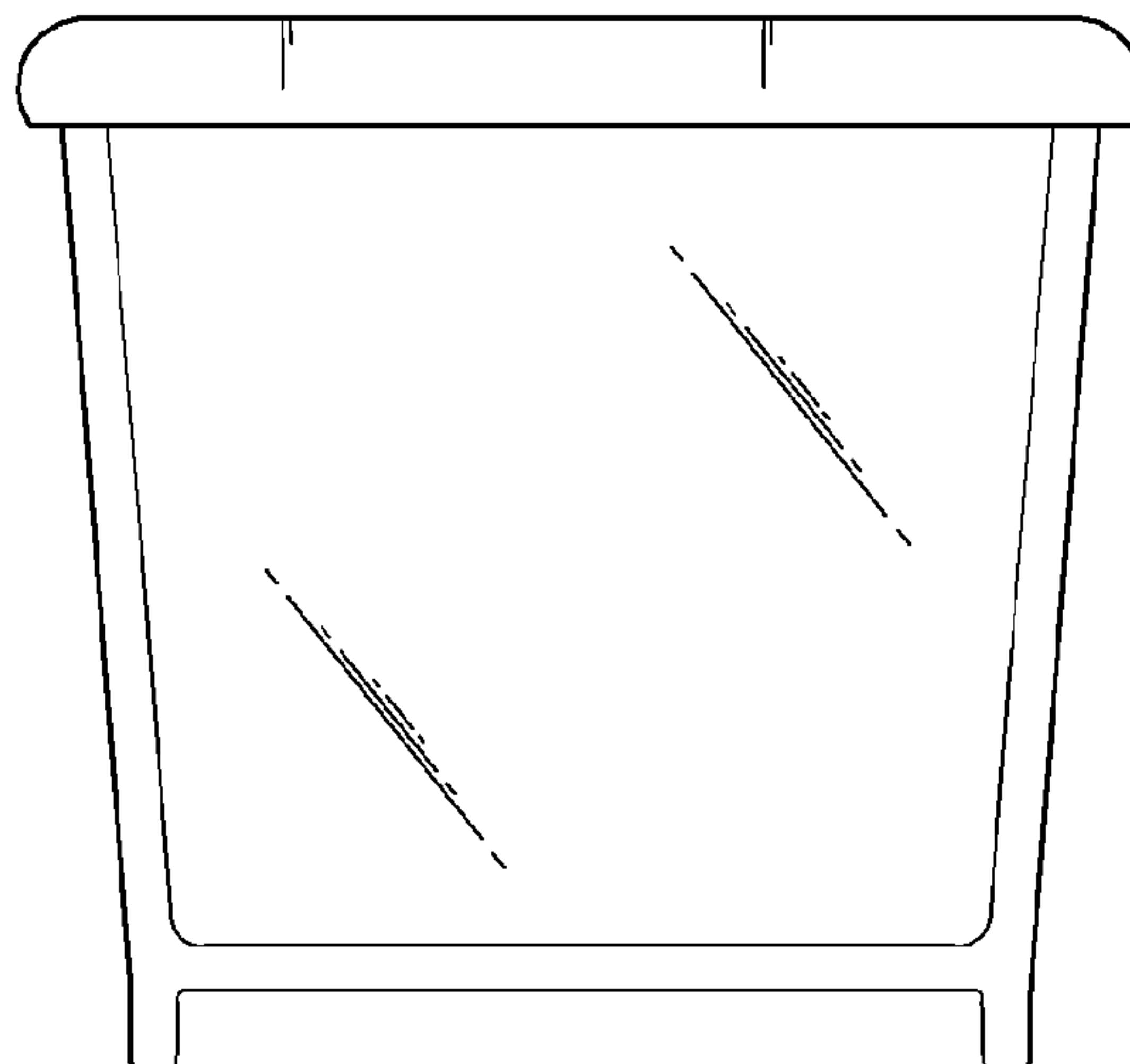


FIG. 5

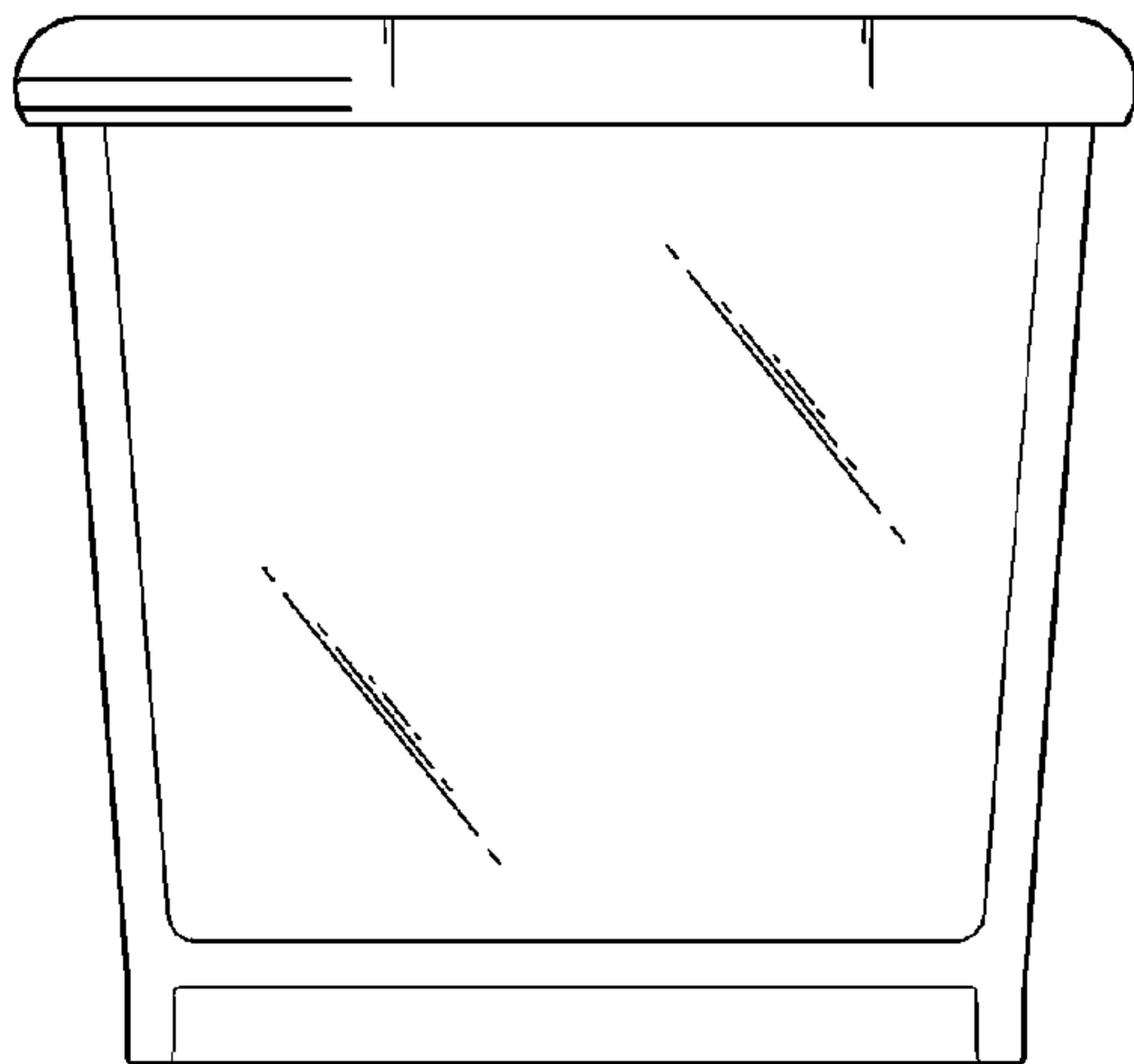


FIG. 6

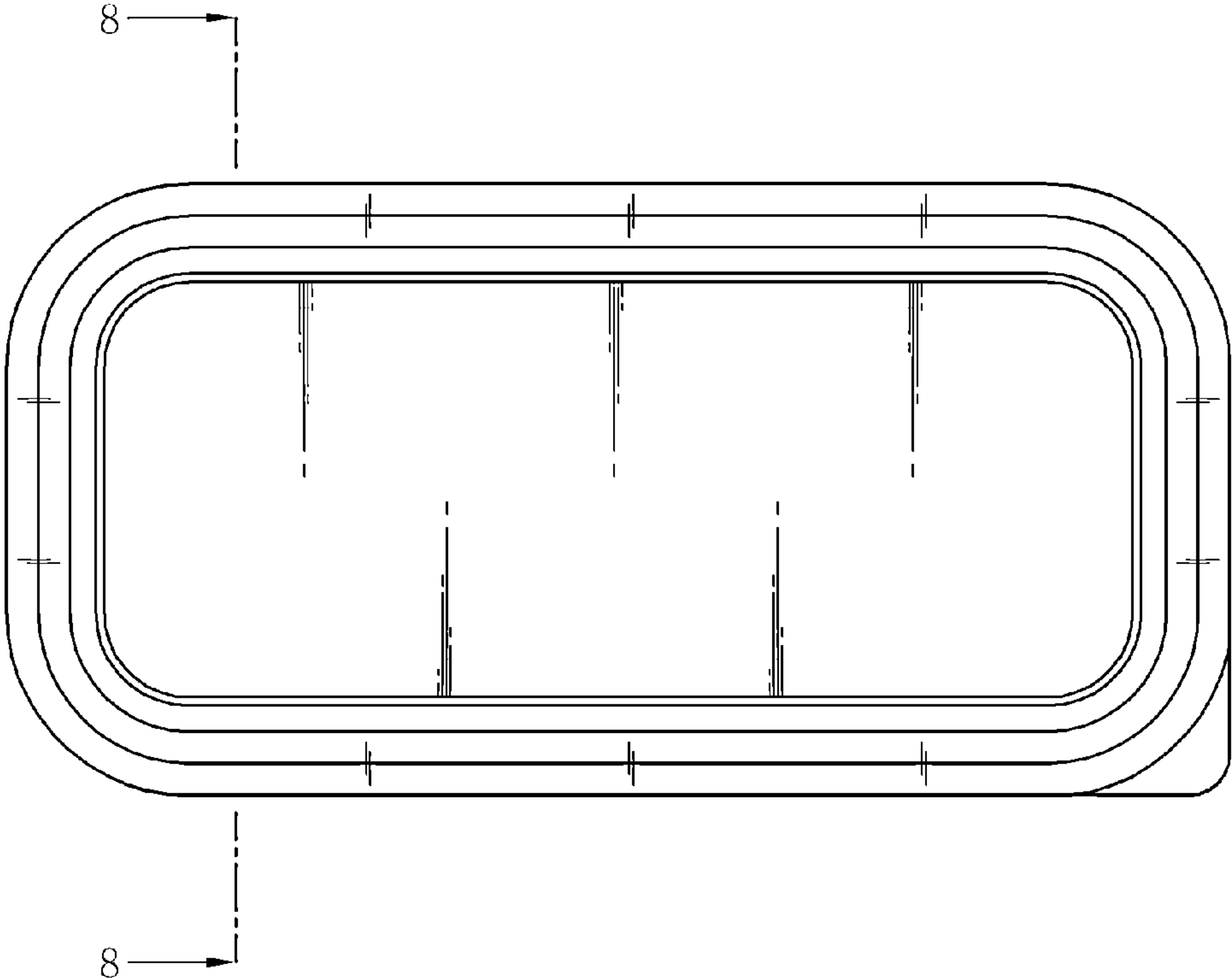


FIG. 7

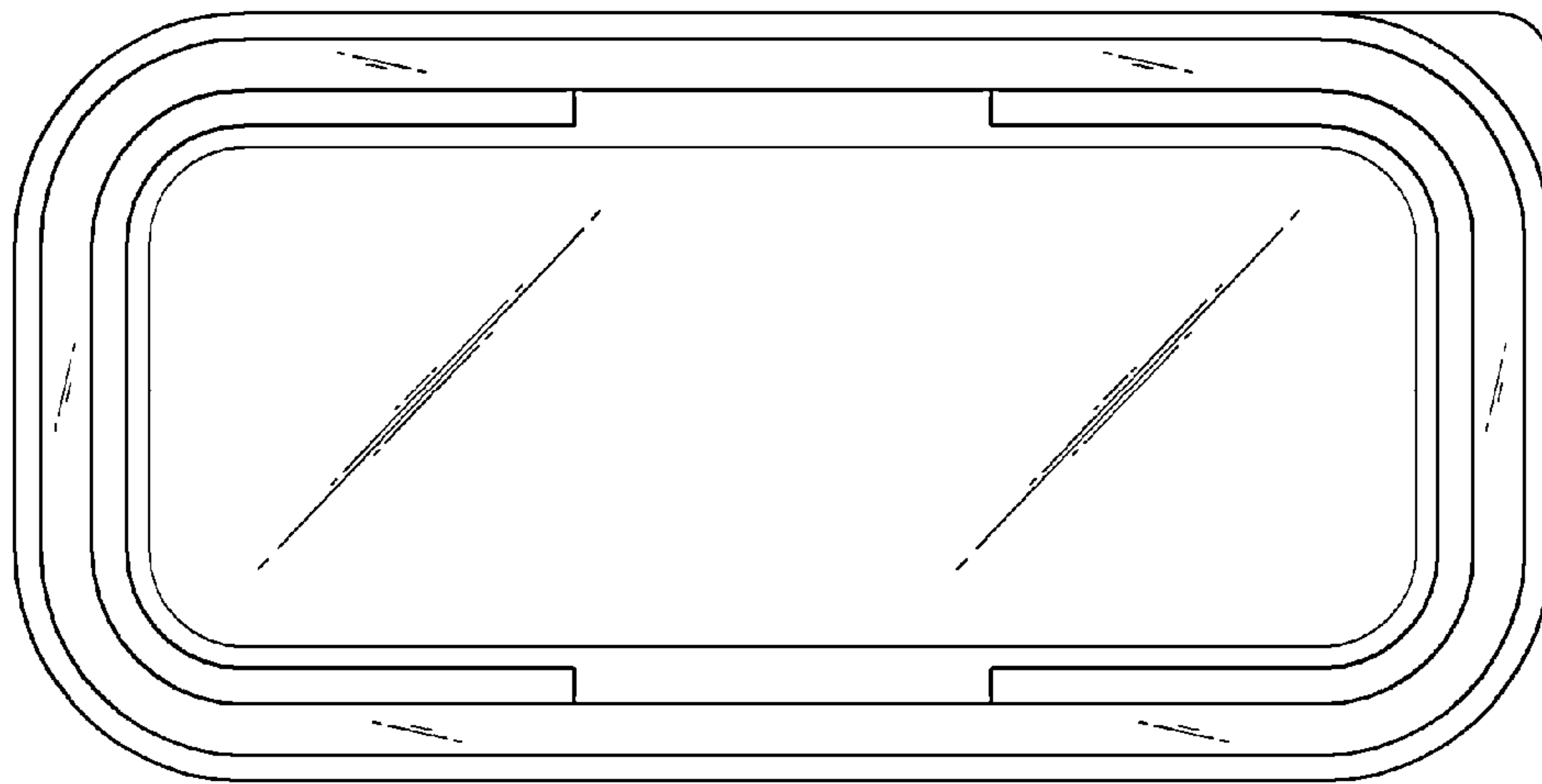


FIG. 8

