



US00D696555S

(12) **United States Design Patent**
Kolano

(10) **Patent No.:** **US D696,555 S**

(45) **Date of Patent:** **** Dec. 31, 2013**

(54) **CONDIMENT DISPENSER**

(71) Applicant: **Hutzler Manufacturing Co., Inc.**,
Canaan, CT (US)

(72) Inventor: **William Kolano**, Pittsburgh, PA (US)

(73) Assignee: **Hutzler Manufacturing Co., Inc.**,
Canaan, CT (US)

(**) Term: **14 Years**

(21) Appl. No.: **29/446,622**

(22) Filed: **Feb. 26, 2013**

(51) **LOC (9) Cl.** **07-06**

(52) **U.S. Cl.**
USPC **D7/590**

(58) **Field of Classification Search**
USPC D7/590, 601, 602, 500, 589, 322, 321,
D7/320, 300, 301, 302, 303, 304, 308, 310,
D7/312, 313, 314, 315, 316, 317, 318, 319,
D7/372, 397, 399, 400, 401.1, 412, 415,
D7/413, 414, 591-599; D32/29.1; D28/73,
D28/76; 220/219, 349, 423, 581, 212, 350,
220/735; 222/105, 129.1, 129.2,
222/142.1-142.5, 142.7, 548; D6/515, 512;
D30/121, 129; D9/905

See application file for complete search history.

(56) **References Cited**

U.S. PATENT DOCUMENTS

D104,167 S * 4/1937 Mackelfresh D7/597
D136,524 S * 10/1943 Swainson D9/418
D146,804 S * 5/1947 McKee D7/597
2,909,304 A * 10/1959 Powell 222/130
3,494,515 A * 2/1970 Fattori 222/548
D319,781 S * 9/1991 Halm et al. D32/29.1
D321,129 S * 10/1991 Giuseppe D9/502

D367,207 S * 2/1996 Lutzker D7/591
D426,410 S * 6/2000 De Laforcade D6/512
D484,229 S * 12/2003 Upson D23/366
D492,403 S * 6/2004 Iddan et al. D24/104
D547,430 S * 7/2007 Low D23/364
D611,587 S * 3/2010 Dineen D23/366
D625,604 S * 10/2010 Zaslow D9/449
8,020,785 B2 * 9/2011 Chao 239/58
D652,260 S * 1/2012 Miller D7/592
D665,629 S * 8/2012 Tompkin D7/589
8,444,337 B2 * 5/2013 Teller 401/88
2007/0080170 A1 * 4/2007 Saha 222/142.1

* cited by examiner

Primary Examiner — Ian Simmons

Assistant Examiner — Shannon Morgan

(74) *Attorney, Agent, or Firm* — Michael J. Striker

(57) **CLAIM**

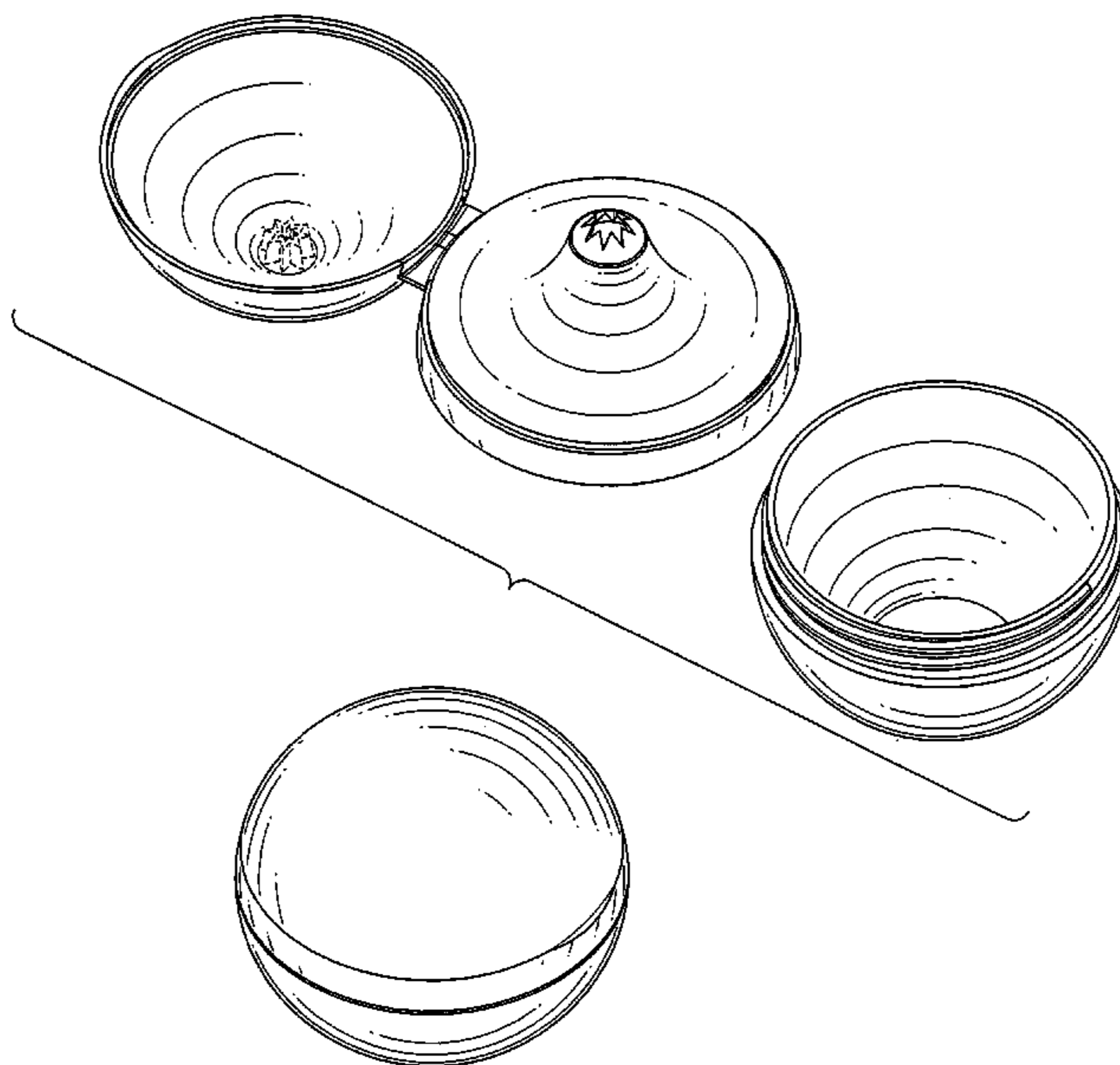
The ornamental design for a condiment dispenser, as shown and described.

DESCRIPTION

FIG. 1 is an exploded top, left perspective view of a condiment dispenser showing my new design;
FIG. 2 is an exploded front elevational view thereof;
FIG. 3 is an exploded rear elevational view thereof;
FIG. 4 is an exploded left side elevational view thereof;
FIG. 5 is an exploded right side elevational view thereof;
FIG. 6 is an exploded top plan view thereof;
FIG. 7 is an exploded bottom plan view thereof;
FIG. 8 is a top, left perspective view of the condiment dispenser showing my new design; and,
FIG. 9 is a top, left perspective view of the condiment dispenser shown with the lid closed thereof.

The broken lines in FIGS. 1, 6, 8 of the condiment dispenser are for the purpose of illustrating environment, and form no part of the claimed design.

1 Claim, 9 Drawing Sheets



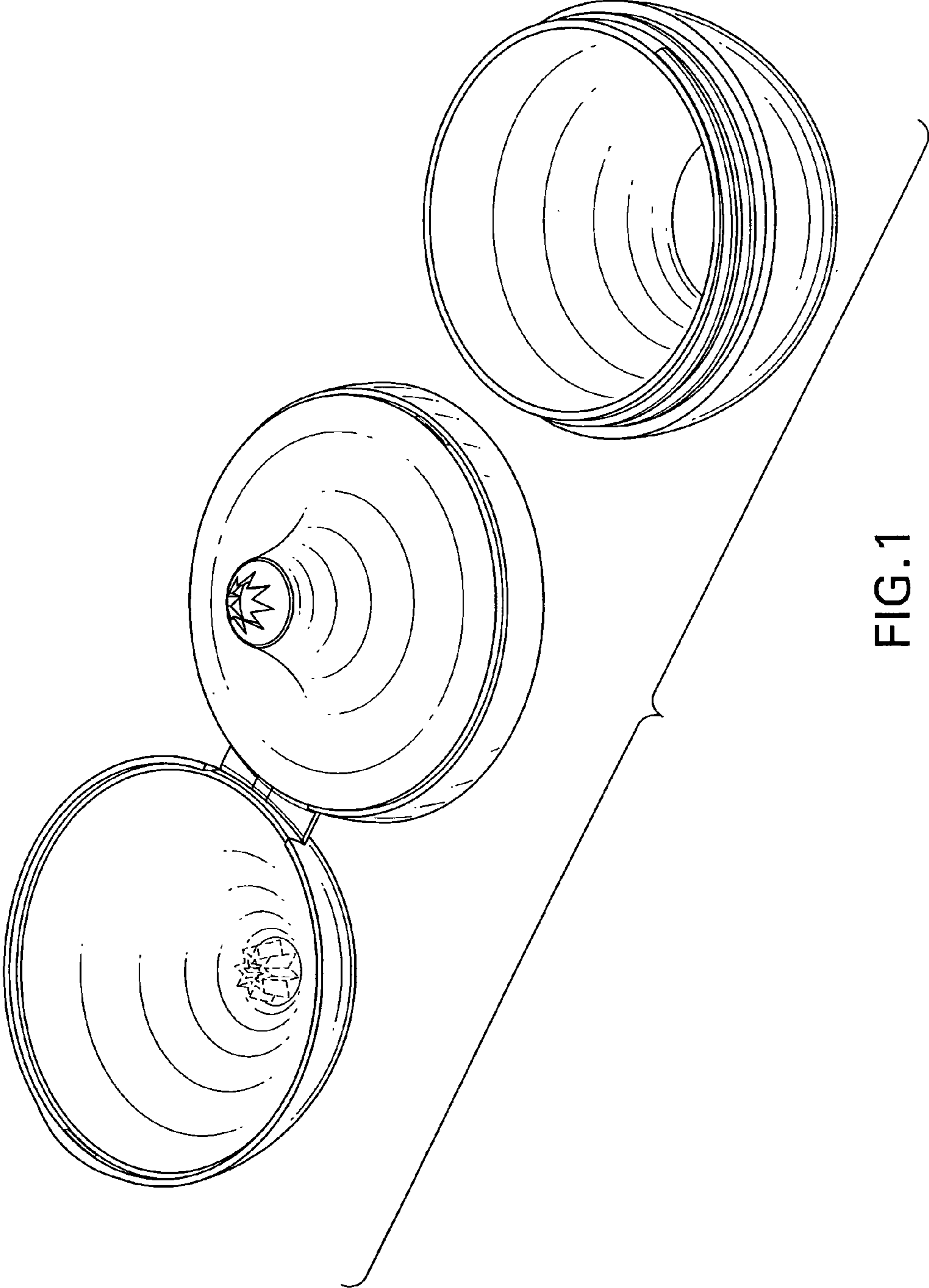


FIG. 1

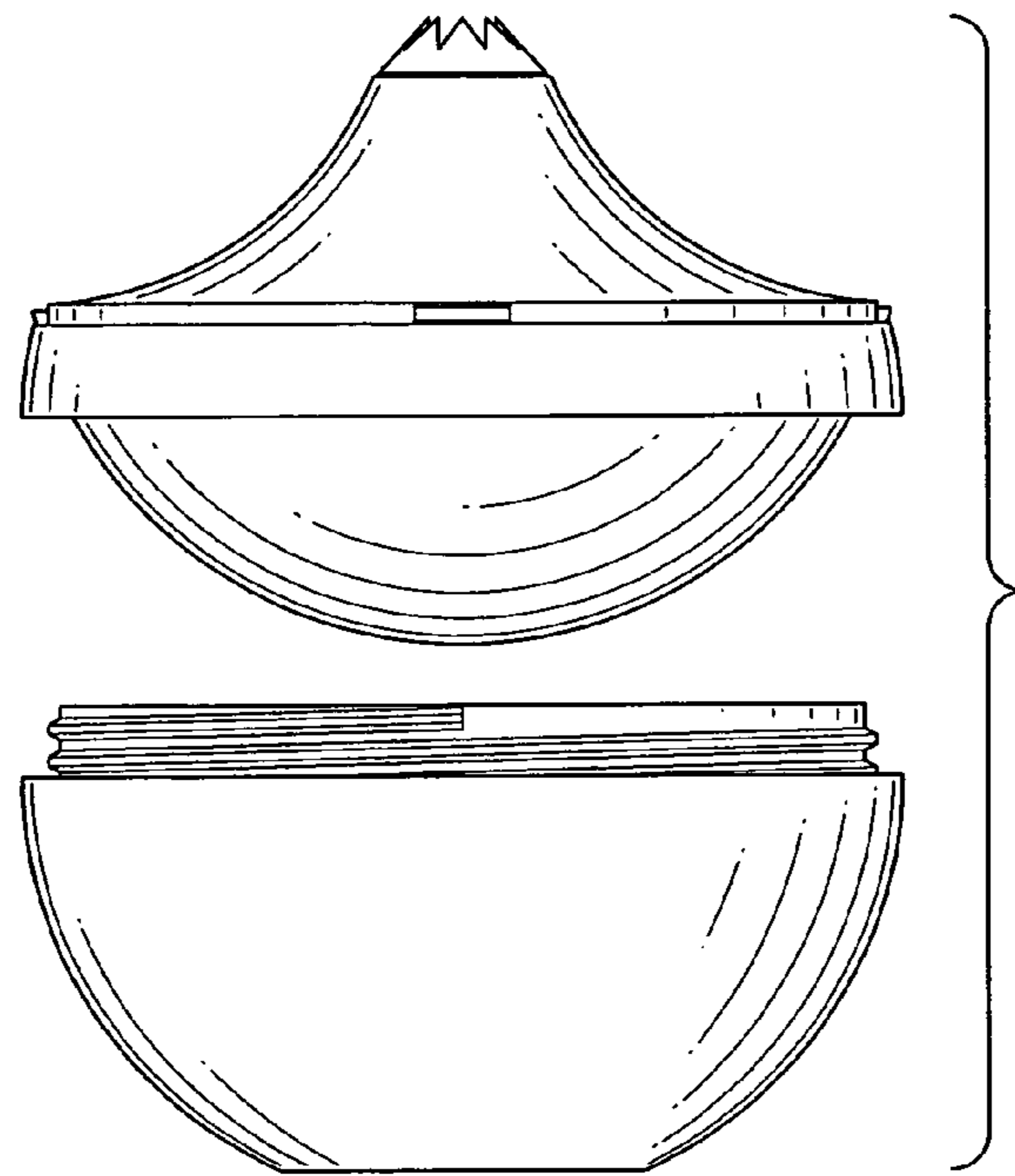


FIG. 2

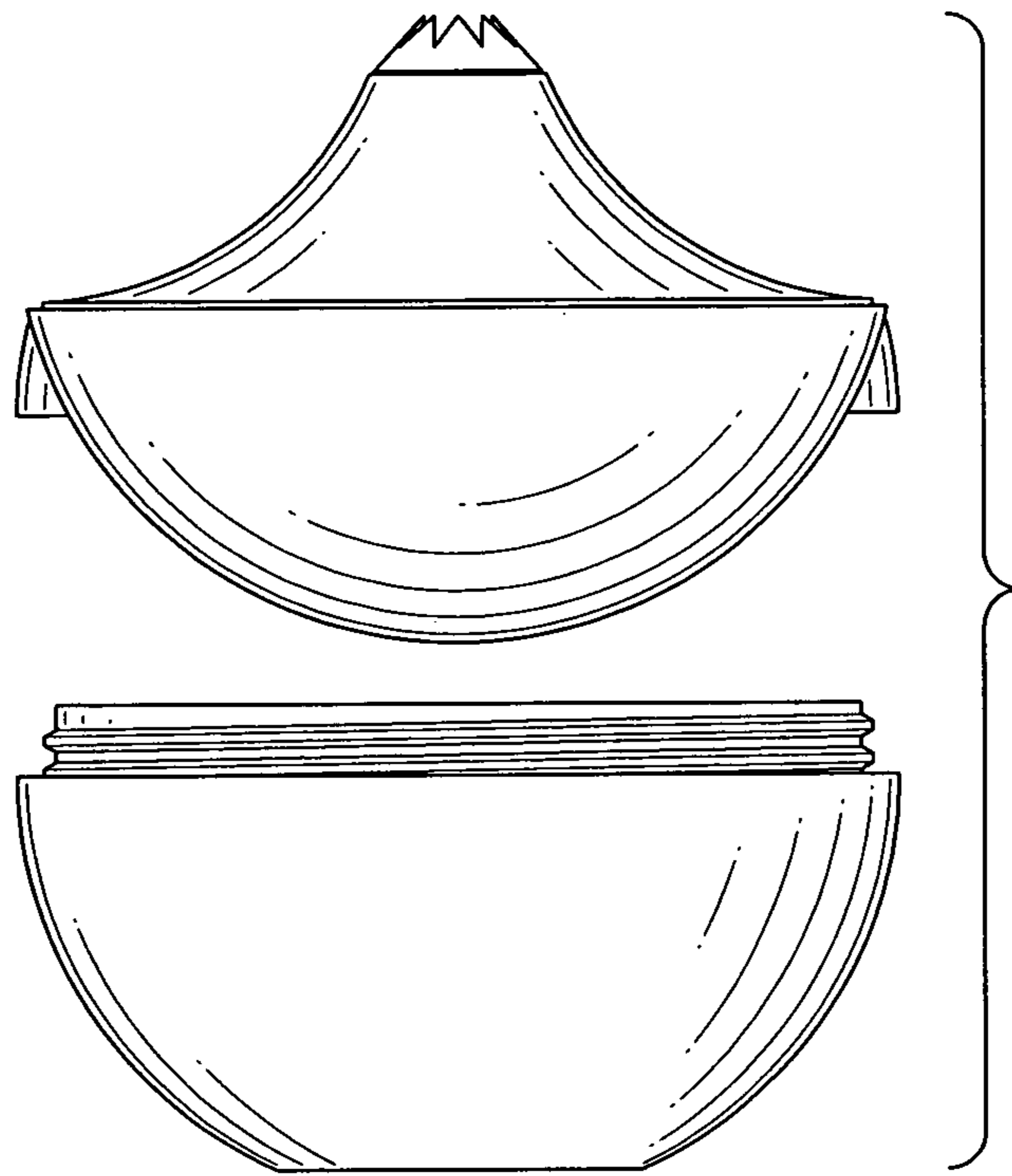


FIG.3

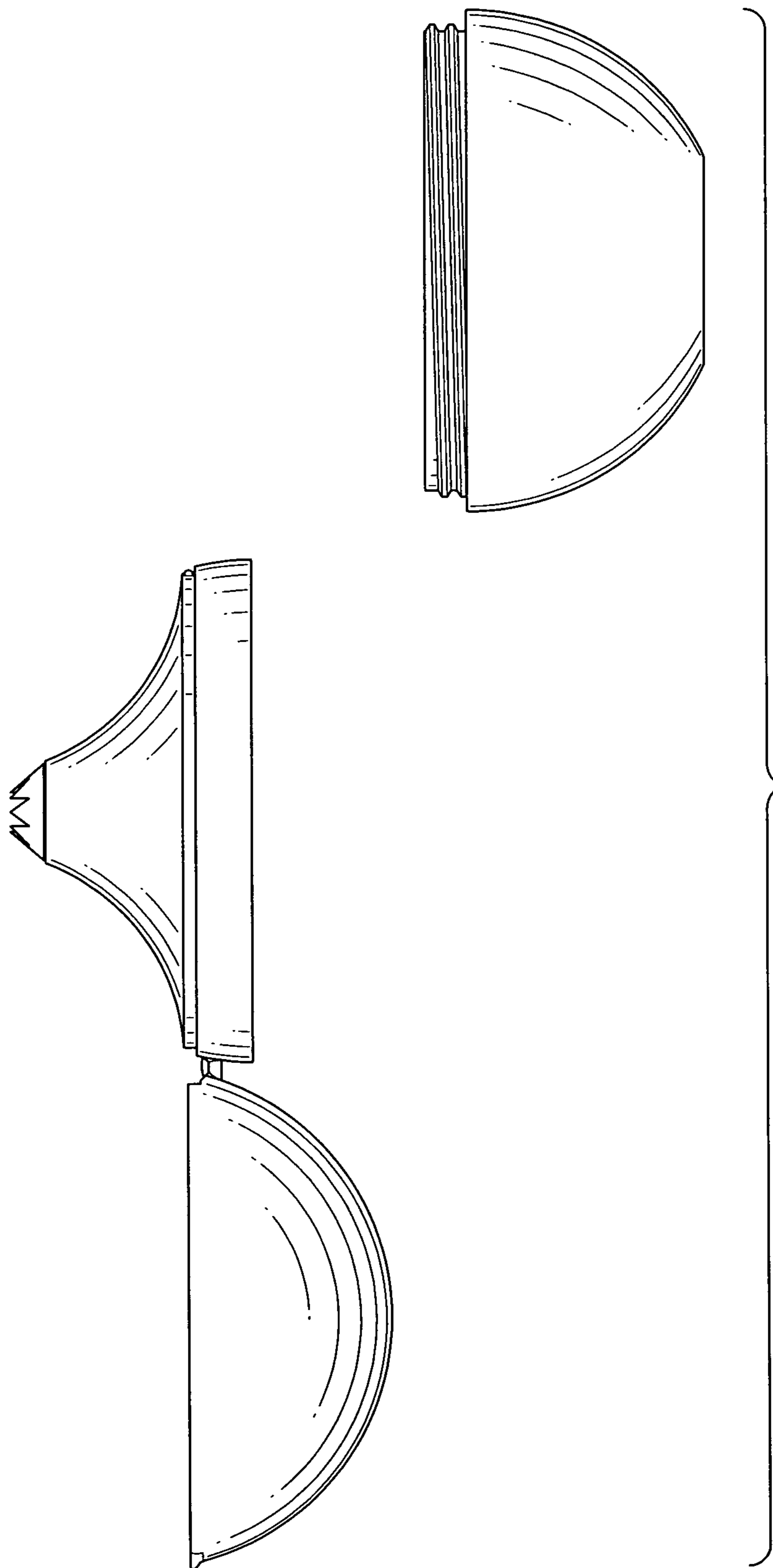


FIG. 4

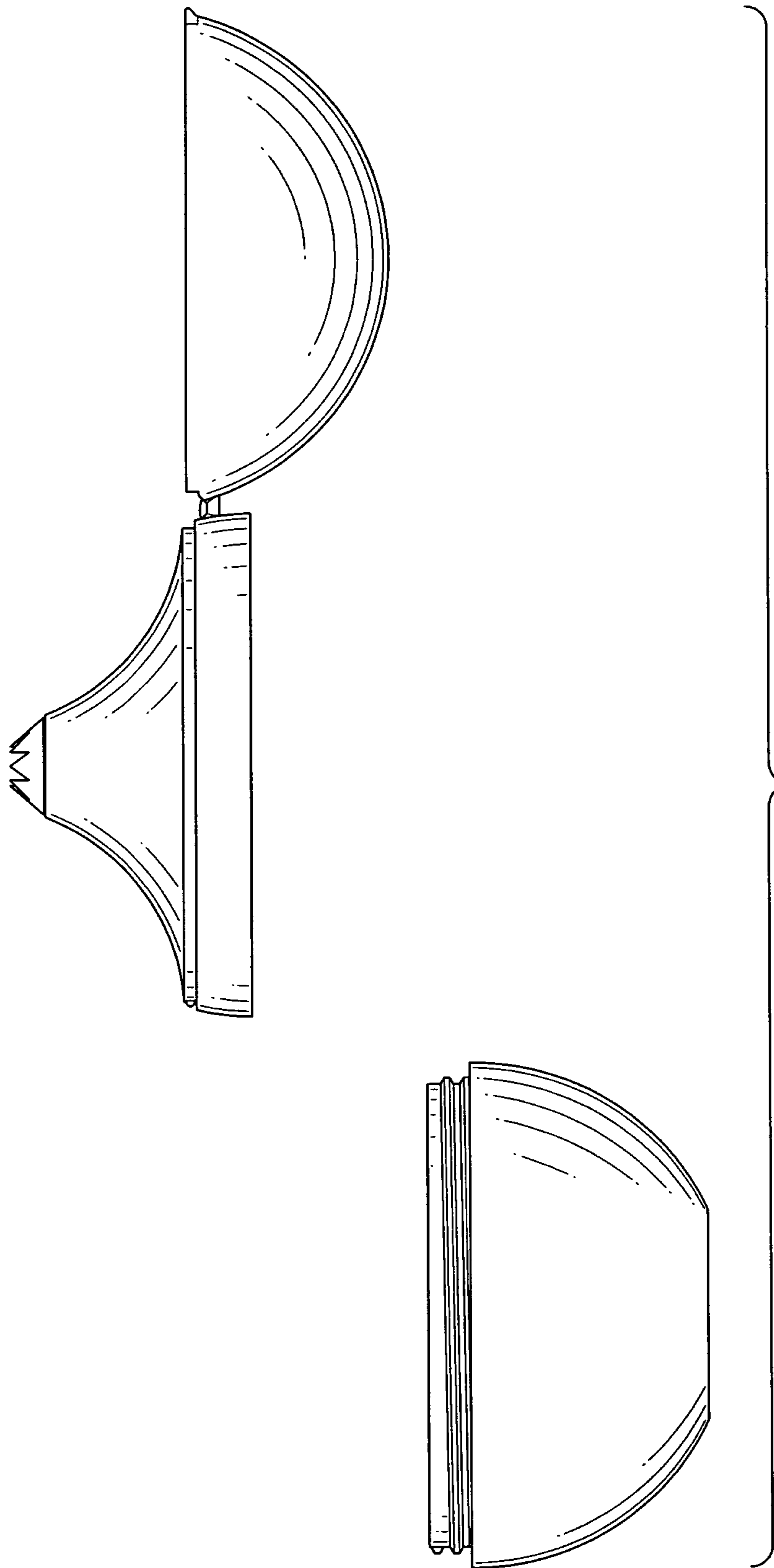


FIG. 5

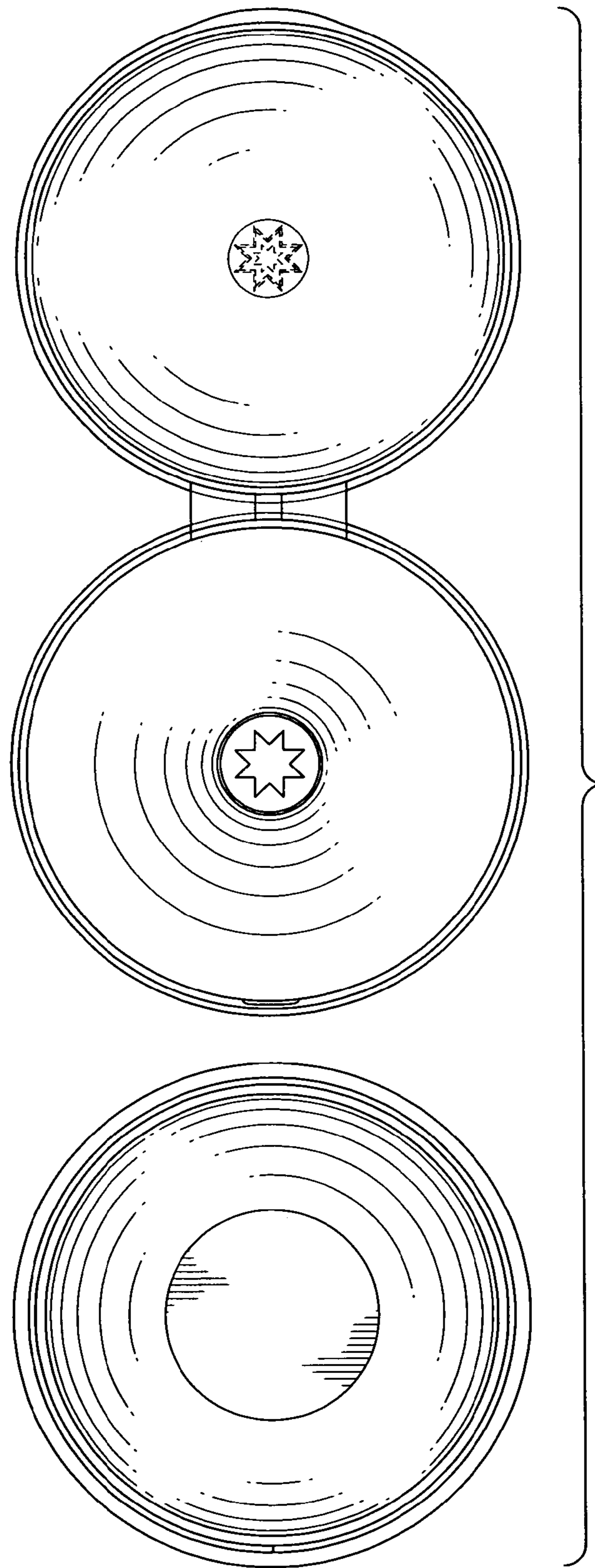


FIG. 6

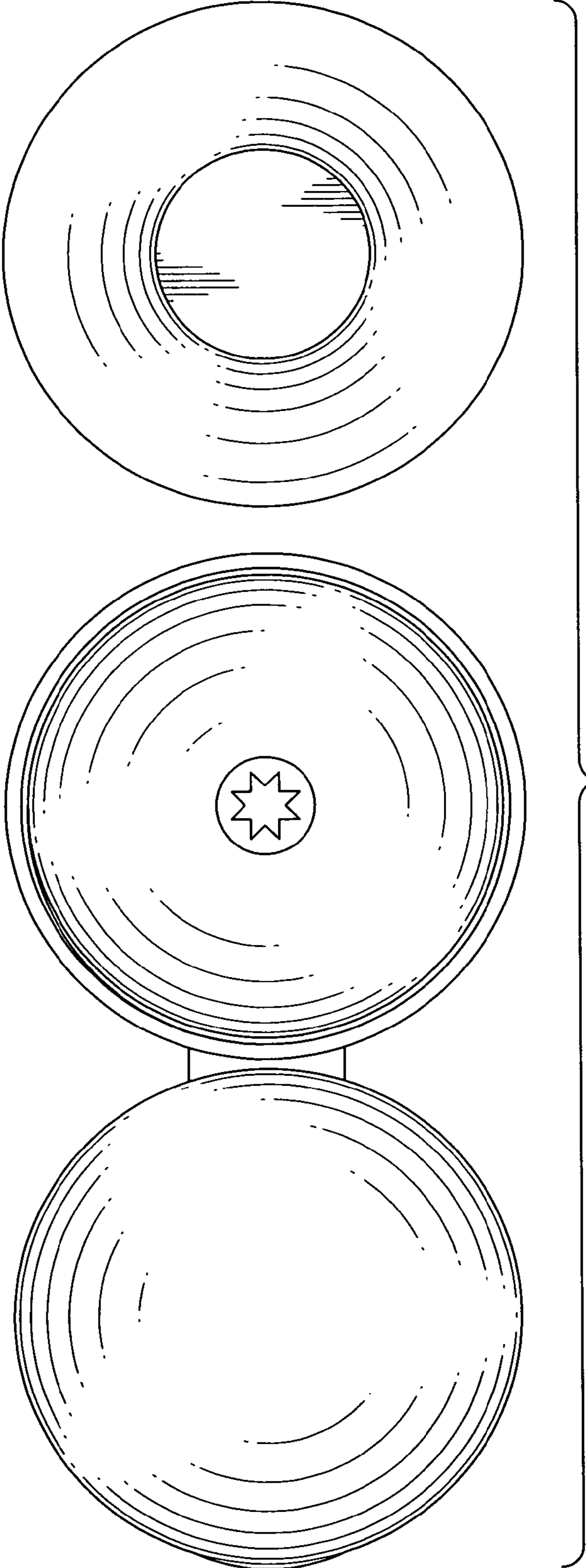


FIG. 7

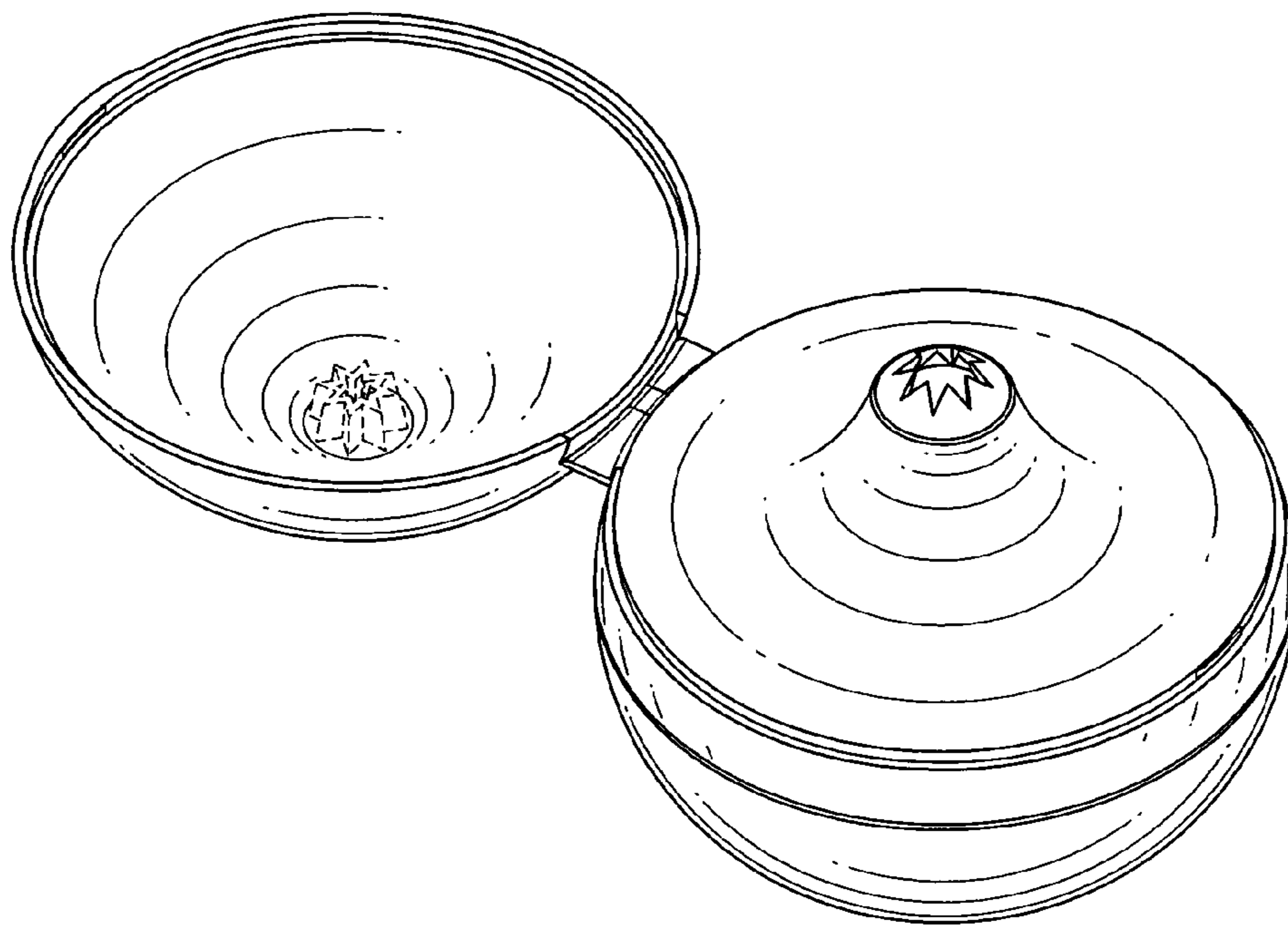


FIG.8

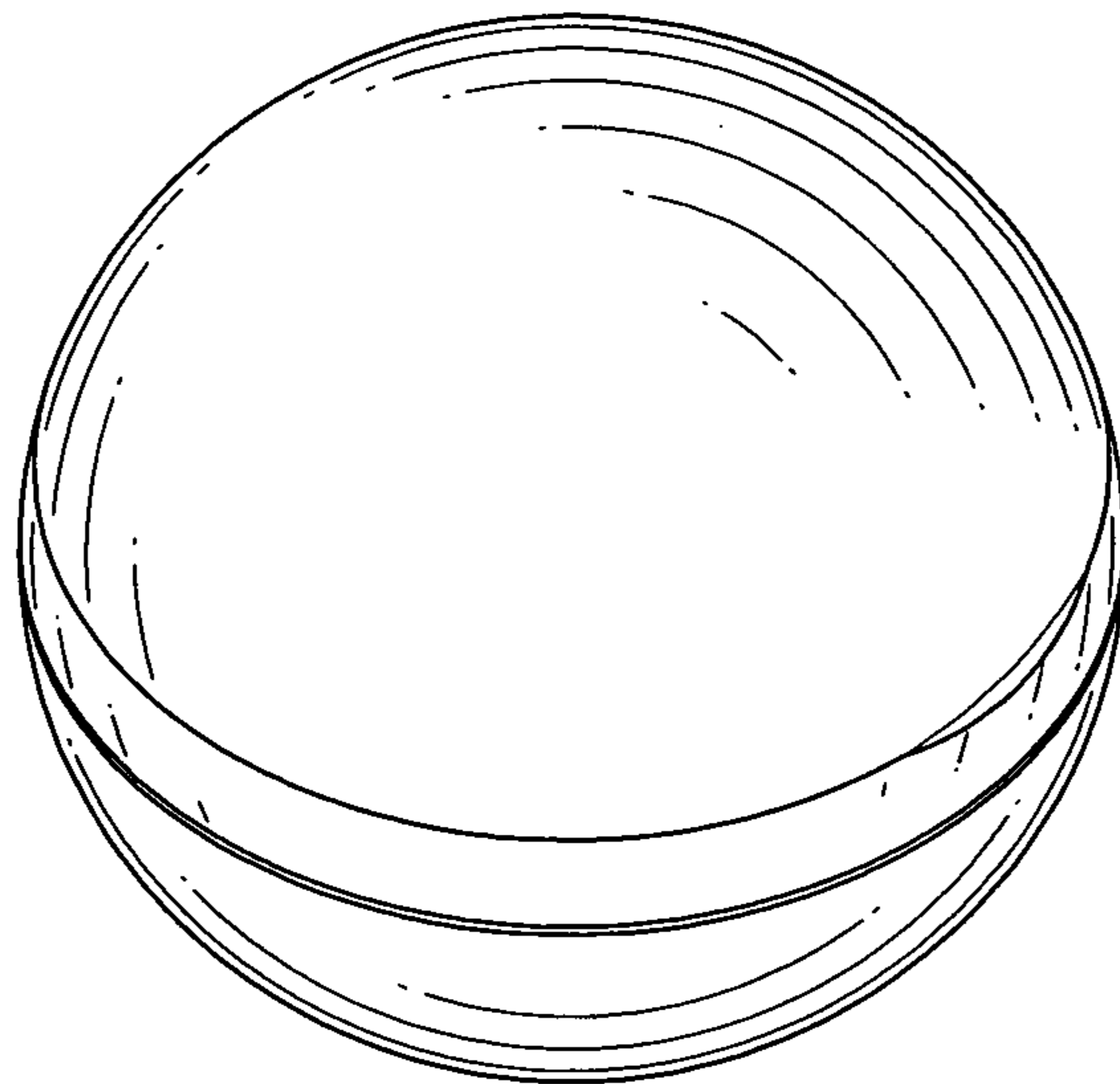


FIG. 9