



US00D696554S

(12) **United States Design Patent**
Kim et al.

(10) **Patent No.:** **US D696,554 S**
(45) **Date of Patent:** **** Dec. 31, 2013**

(54) **ELECTRIC OVEN**

(71) Applicant: **Samsung Electronics Co., Ltd.**,
Suwon-si (KR)

(72) Inventors: **Tai-Kyung Kim**, Seoul (KR);
Byung-Kook Baek, Anyang-si (KR);
Sung-Jae Lee, Gwangmyeong-si (KR);
Yoon-Jung Choi, Seoul (KR); **Ji-Young Shin**, Seoul (KR)

(73) Assignee: **Samsung Electronics Co., Ltd.** (KR)

(**) Term: **14 Years**

(21) Appl. No.: **29/451,812**

(22) Filed: **Apr. 9, 2013**

(30) **Foreign Application Priority Data**

Oct. 10, 2012 (KR) 30-2012-0048182

(51) **LOC (9) Cl.** **07-02**

(52) **U.S. Cl.**
USPC **D7/406**

(58) **Field of Classification Search**
USPC D7/340, 348, 350.1–350.4, 351, 402,
D7/405–406; 219/756–758, 391, 393, 395,
219/401; 126/19 M, 275 E; 99/348, 353,
99/367, 468; D32/3, 28
See application file for complete search history.

(56) **References Cited**

U.S. PATENT DOCUMENTS

D168,684 S * 1/1953 Hitchcock D7/406
D179,925 S * 3/1957 Titus D7/406
D187,902 S * 5/1960 Puracki D7/406

D369,514 S * 5/1996 Baldwin D7/406
D449,720 S * 10/2001 Costello D32/28
D474,313 S * 5/2003 Byrne D32/28
D513,463 S * 1/2006 Wong et al. D7/406
D522,193 S * 5/2006 Carey et al. D32/28
D547,609 S * 7/2007 Chung D7/406
D564,837 S * 3/2008 Green et al. D7/406
D612,685 S * 3/2010 Baker et al. D7/405
D613,010 S * 3/2010 Eicher et al. D32/28
D645,702 S * 9/2011 Baacke et al. D7/405
D645,703 S * 9/2011 Sadtler D7/405
D666,054 S * 8/2012 Segers et al. D7/406
D668,109 S * 10/2012 Borjesson D7/406
D668,110 S * 10/2012 Borjesson D7/406

* cited by examiner

Primary Examiner — T. Chase Nelson

Assistant Examiner — Mark Cavanna

(74) *Attorney, Agent, or Firm* — Cantor Colburn LLP

(57) **CLAIM**

The ornamental design for an electric oven, as shown and described.

DESCRIPTION

FIG. 1 is a perspective view of an electric oven showing our new design;
FIG. 2 is a front view thereof;
FIG. 3 is a rear view thereof;
FIG. 4 is a left side view thereof;
FIG. 5 is a right side view thereof;
FIG. 6 is a top plan view thereof; and,
FIG. 7 is a bottom plan view thereof.
The broken lines are shown for disclosure or illustrative purposes only and form no part of the claimed design.

1 Claim, 7 Drawing Sheets

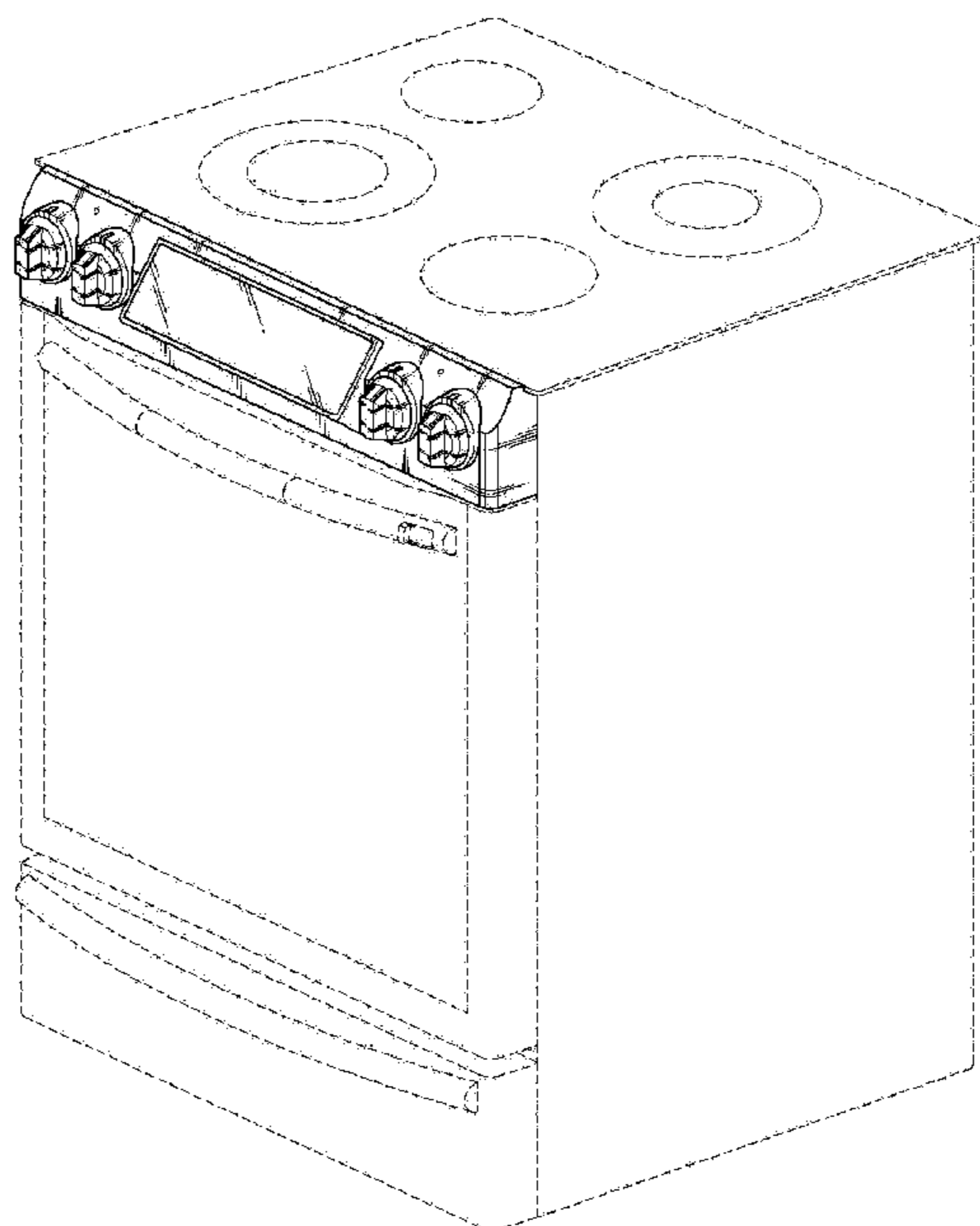


FIG. 1

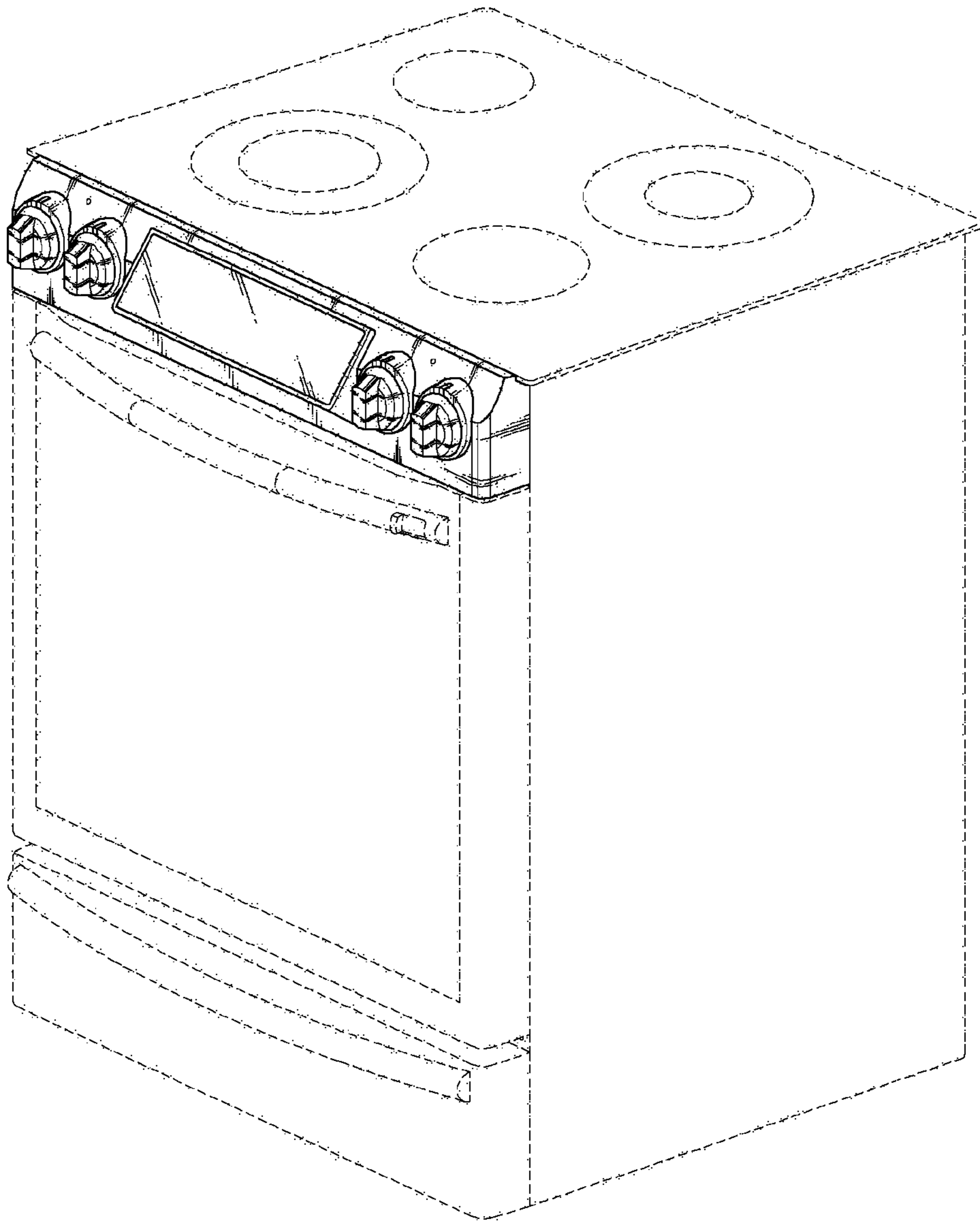


FIG. 2

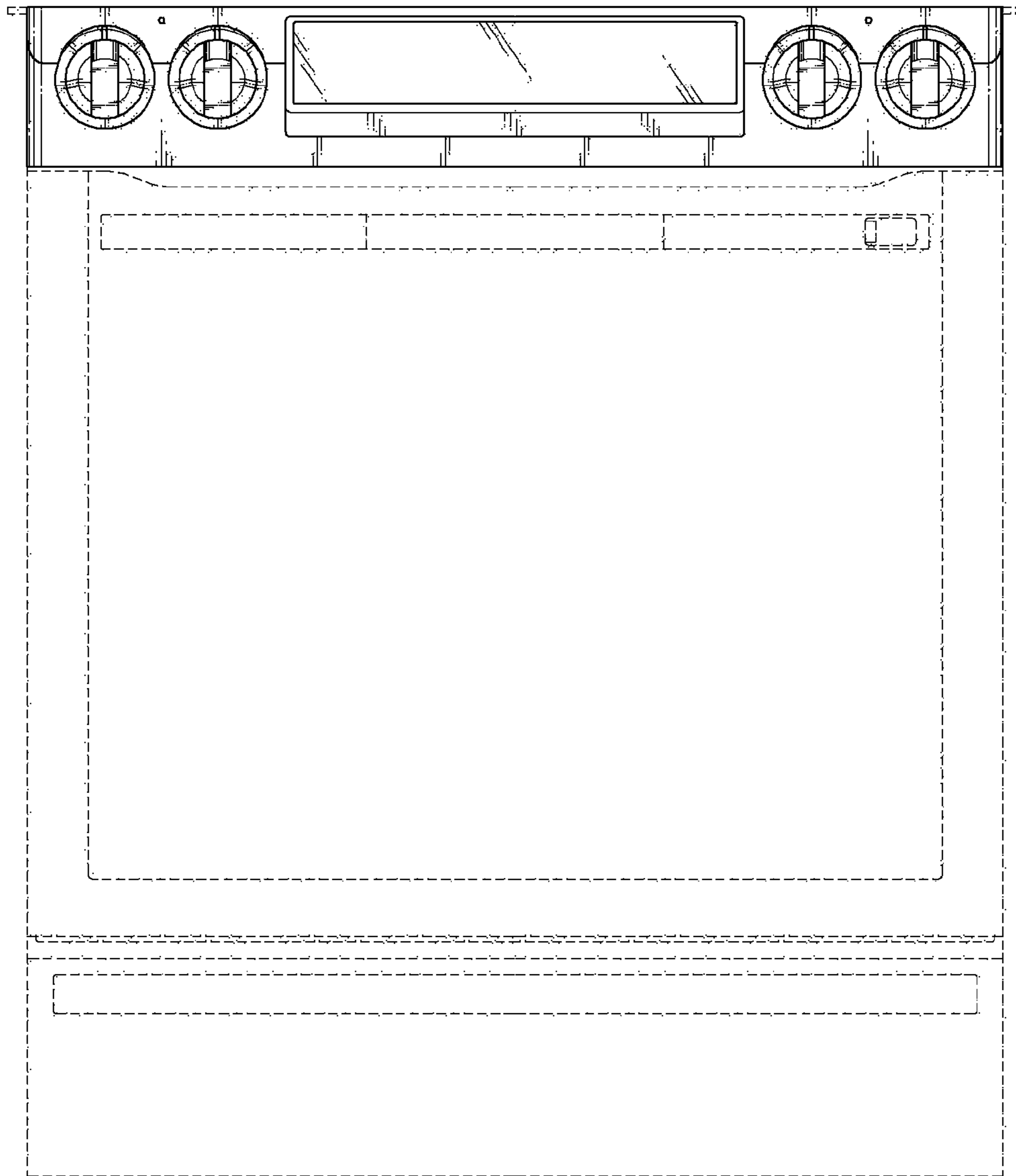


FIG. 3

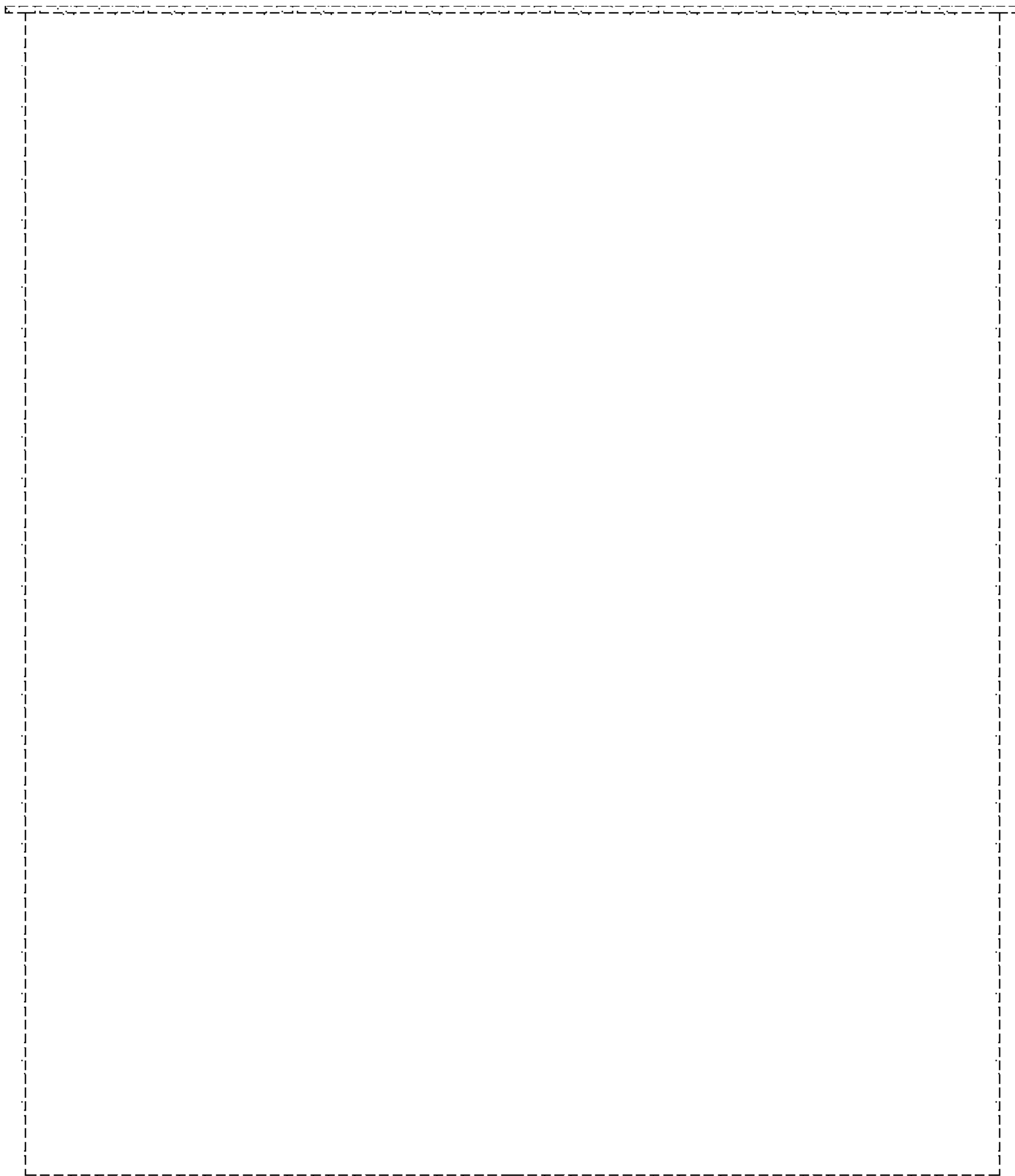


FIG. 4

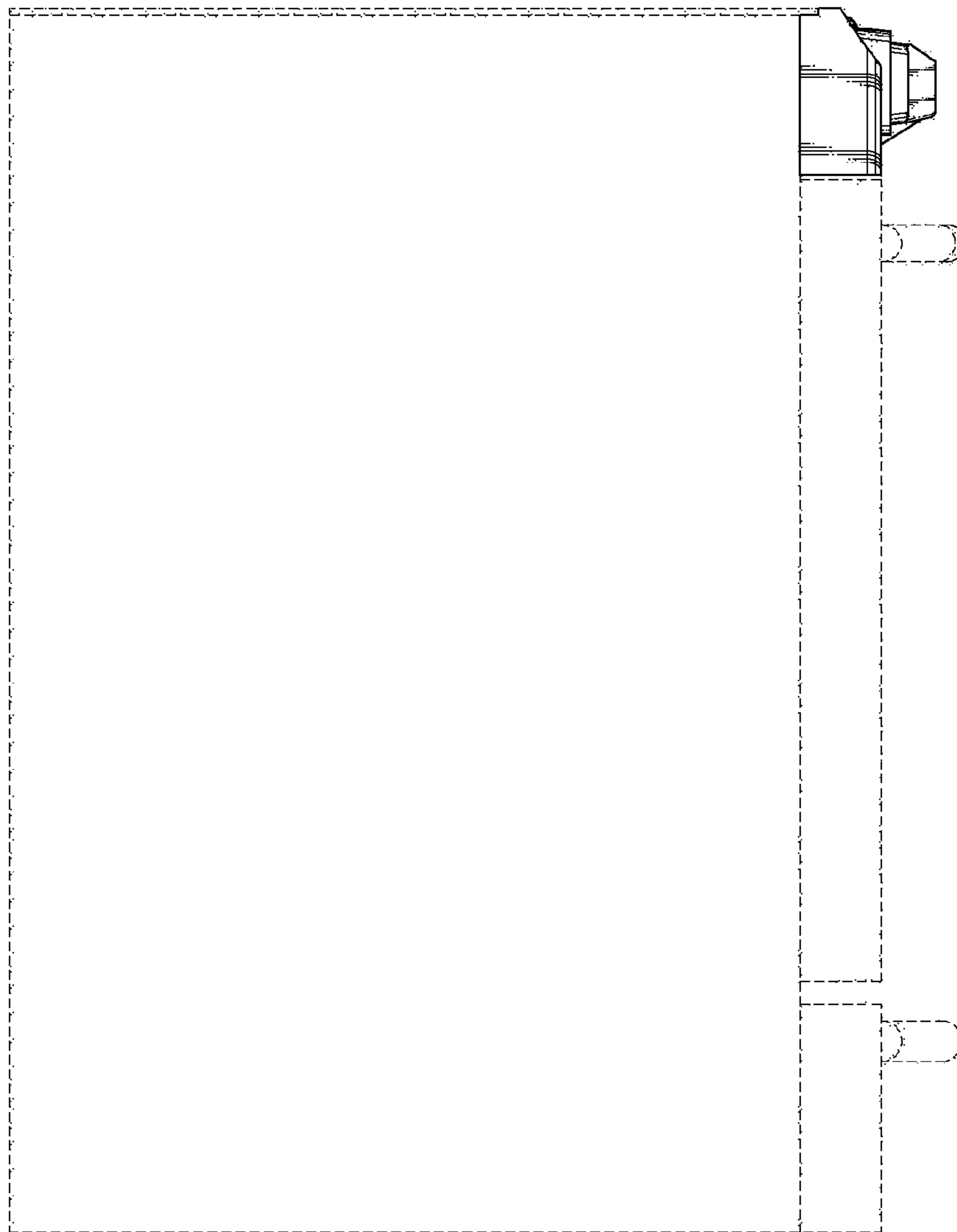


FIG. 5

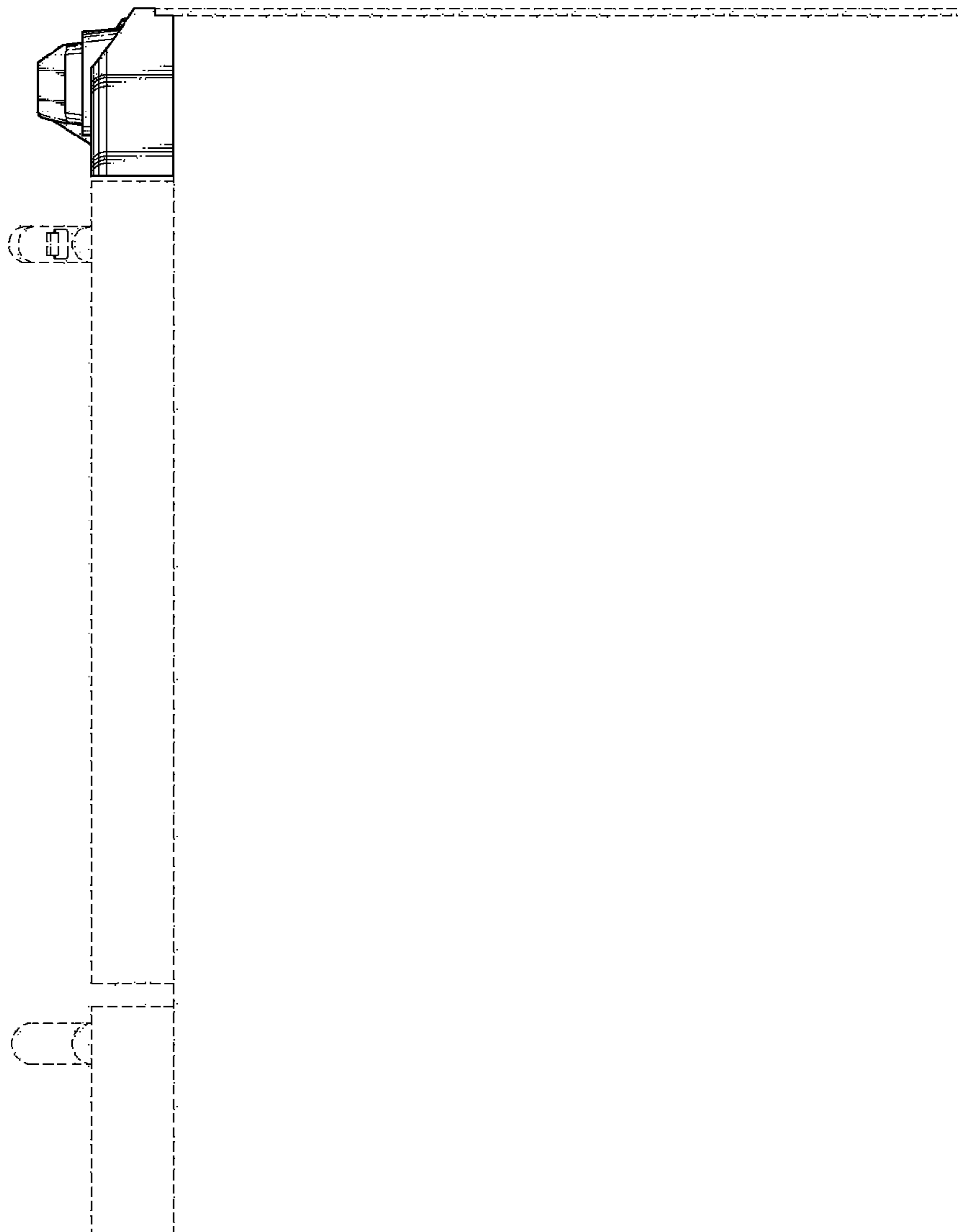


FIG. 6

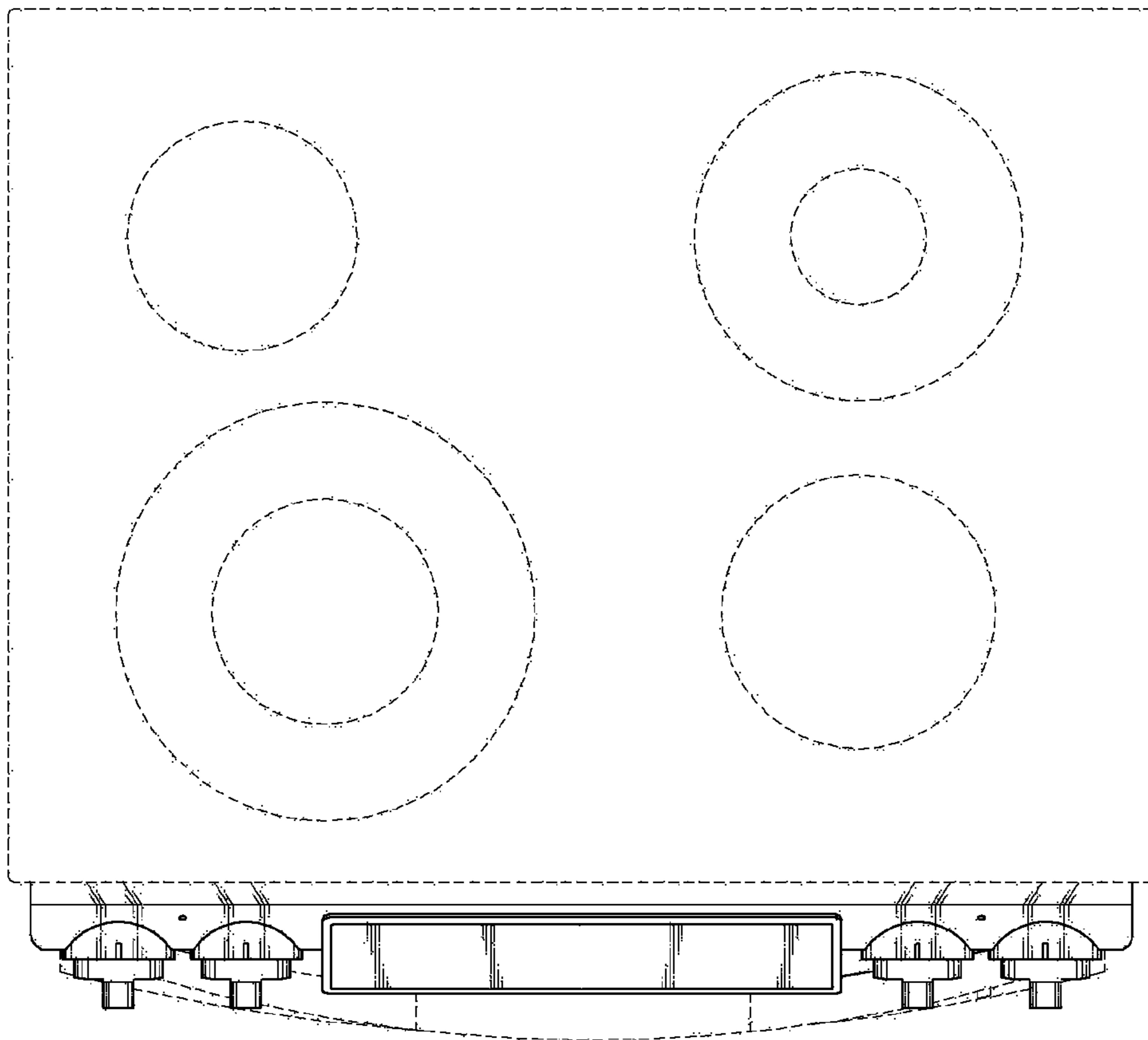


FIG. 7

