

US00D696553S

(12) **United States Design Patent**
Desrochers

(10) **Patent No.:** **US D696,553 S**
(45) **Date of Patent:** **** Dec. 31, 2013**

(54) **FEEDING UTENSIL**

(71) Applicant: **Melissa Desrochers**, Rumford, RI (US)

(72) Inventor: **Melissa Desrochers**, Rumford, RI (US)

(**) Term: **14 Years**

(21) Appl. No.: **29/450,851**

(22) Filed: **Mar. 25, 2013**

(51) **LOC (9) Cl.** **07-02**

(52) **U.S. Cl.**
USPC **D7/401.2; D7/642; D7/653; D7/654**

(58) **Field of Classification Search**
USPC **D7/368, 393-395, 401.2, 642-656, D7/660-664, 669, 675-676, 683, 688-692, D7/695-696; D8/40; D10/46.2; D21/406; 30/120.1, 122-125, 137, 141-143, 30/147-150, 296.1, 322-327, 329, 340, 30/342-344; 416/70 R, 75; 606/236**
See application file for complete search history.

(56) **References Cited**

U.S. PATENT DOCUMENTS

2,698,996 A * 1/1955 Hickerson 30/123
2,743,727 A * 5/1956 Griesinger 606/236
3,473,221 A * 10/1969 Flanders 30/141

D331,783 S * 12/1992 Rodriguez D21/406
D458,809 S * 6/2002 Richardson et al. D7/643
D491,420 S * 6/2004 Shibata et al. D7/653
D494,876 S * 8/2004 Tollman D10/46.2
D504,600 S * 5/2005 Falt et al. D8/40
7,047,648 B1 * 5/2006 LeBel et al. 30/141
D592,019 S * 5/2009 Holcomb et al. D7/643
D641,595 S * 7/2011 Matari D7/653
D658,017 S * 4/2012 Roberts D7/653
2004/0237311 A1 * 12/2004 Brown et al. 30/141

* cited by examiner

Primary Examiner — Ricky Pham

(74) *Attorney, Agent, or Firm* — Barlow, Josephs & Holmes, Ltd.

(57) **CLAIM**

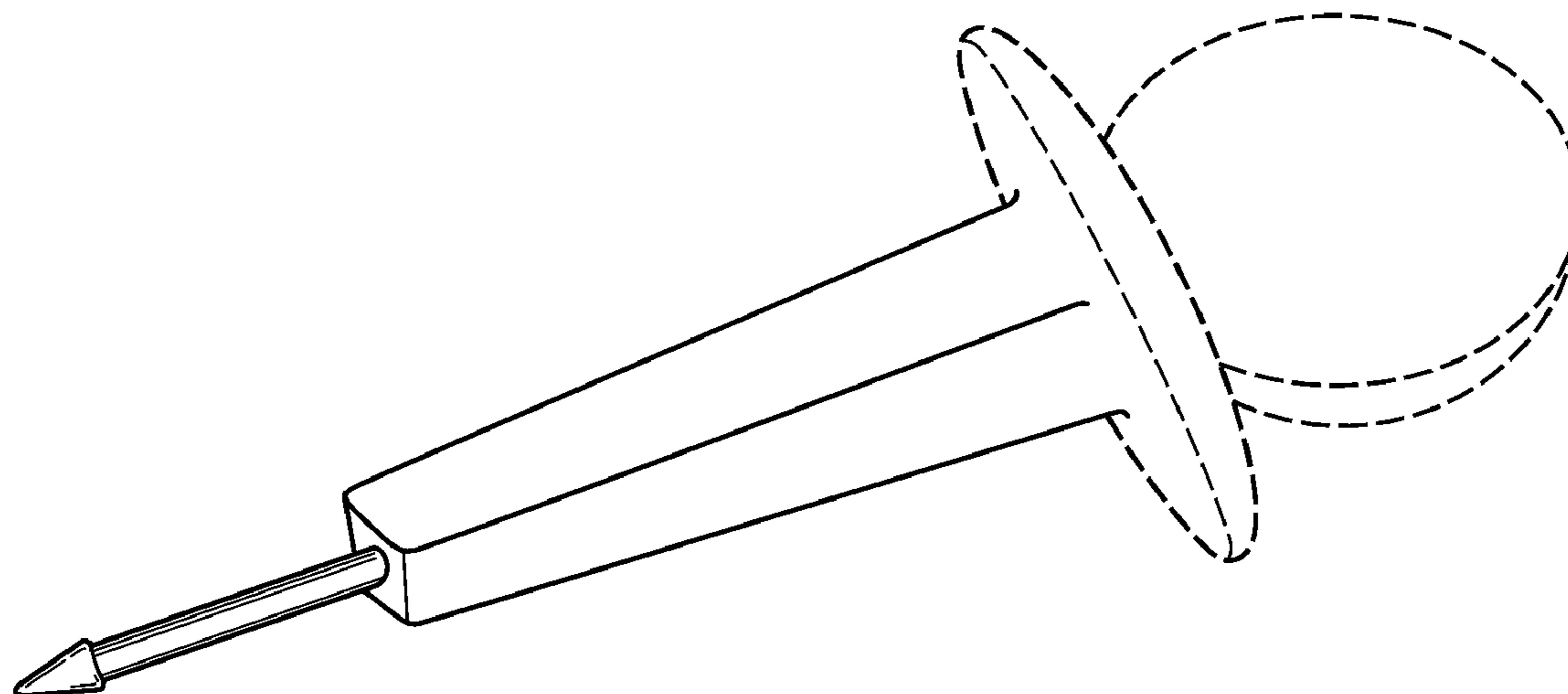
The ornamental design for a feeding utensil, as shown and described.

DESCRIPTION

FIG. 1 is a perspective view of the feeding utensil;
FIG. 2 is a front view thereof;
FIG. 3 is a rear view thereof;
FIG. 4 is a left side view thereof;
FIG. 5 is a right side view thereof;
FIG. 6 is top view thereof; and,
FIG. 7 is a bottom view thereof.

In the drawings, the broken lines depict unclaimed environment.

1 Claim, 7 Drawing Sheets



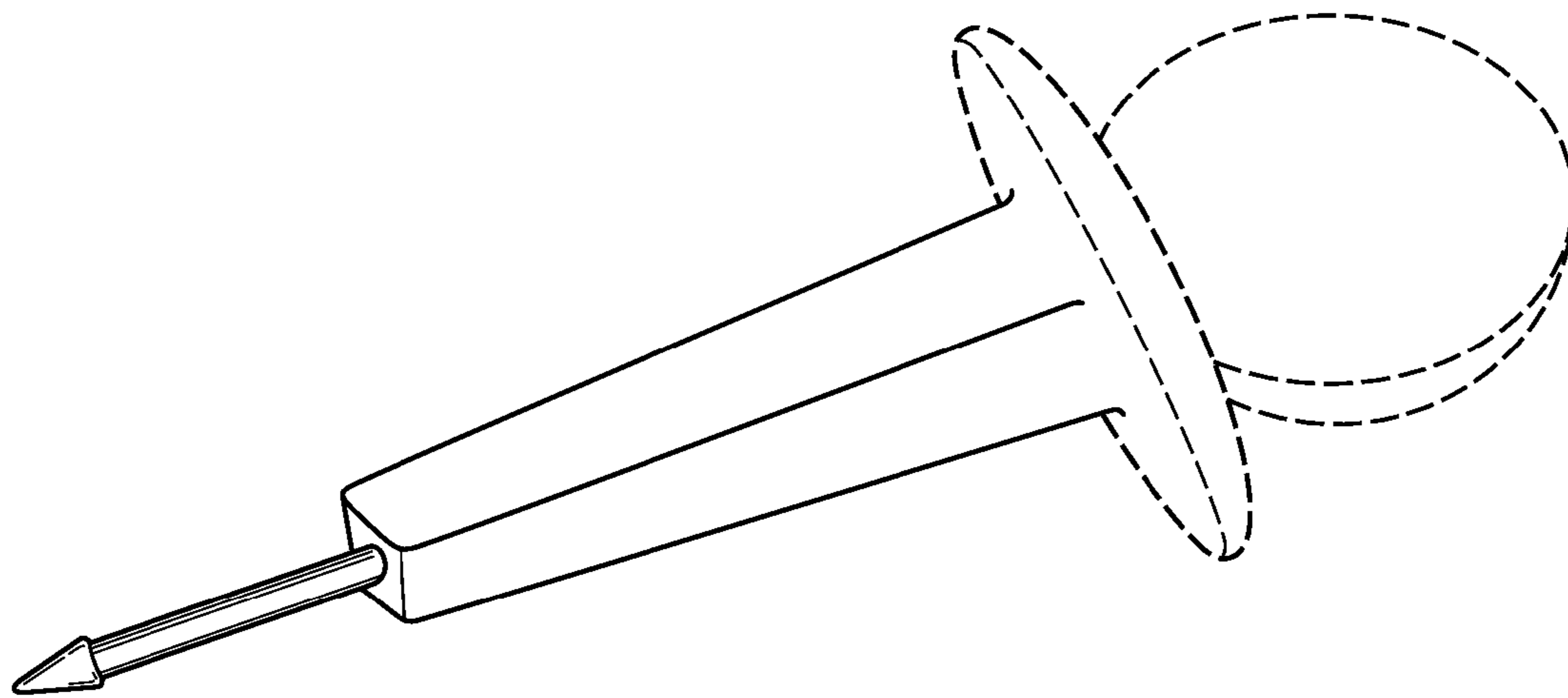


Fig. 1

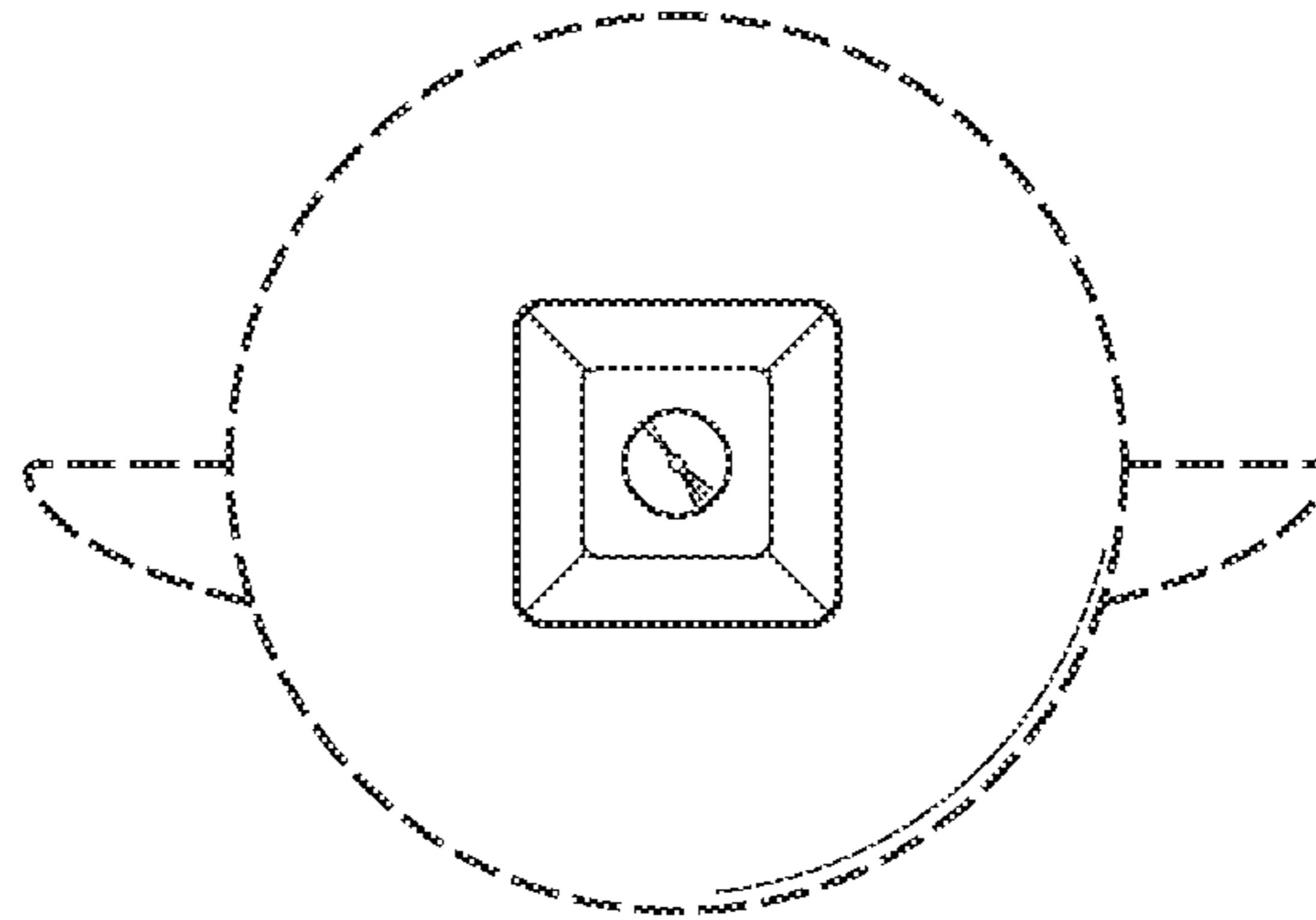


Fig. 2

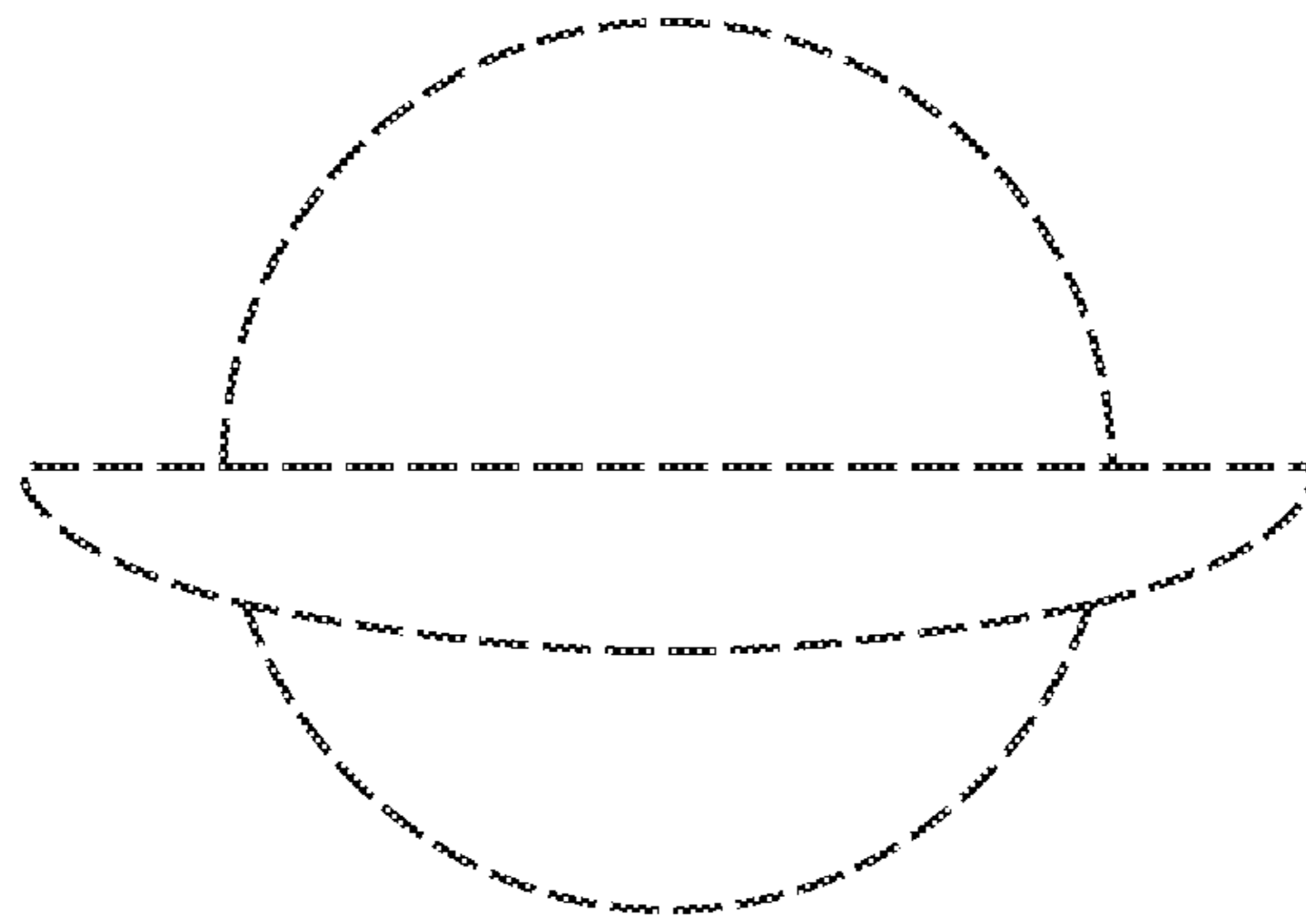


Fig. 3

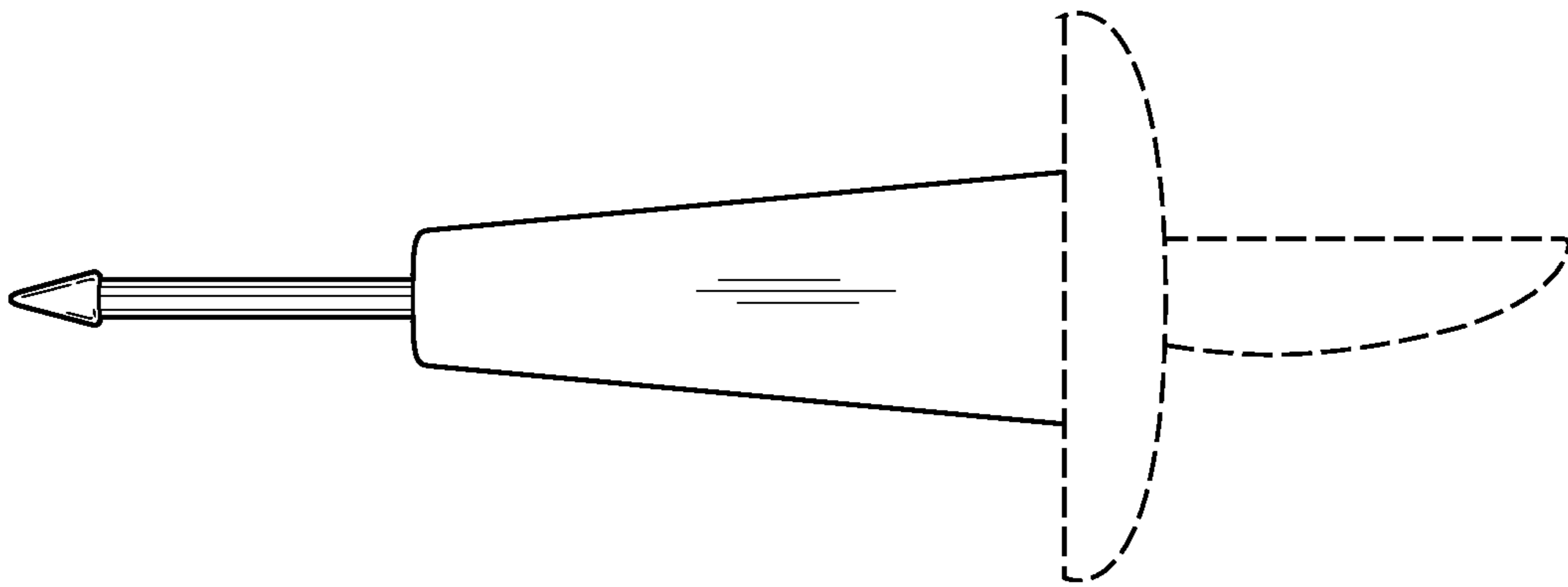


Fig. 4

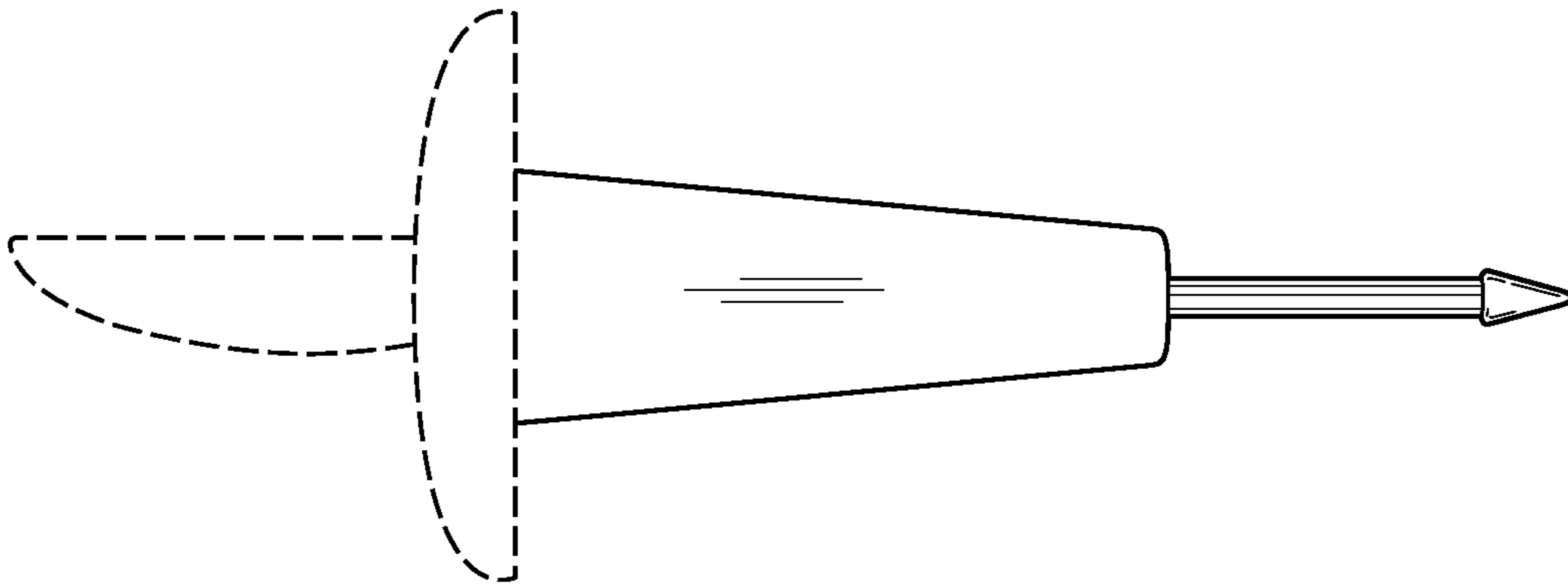


Fig. 5

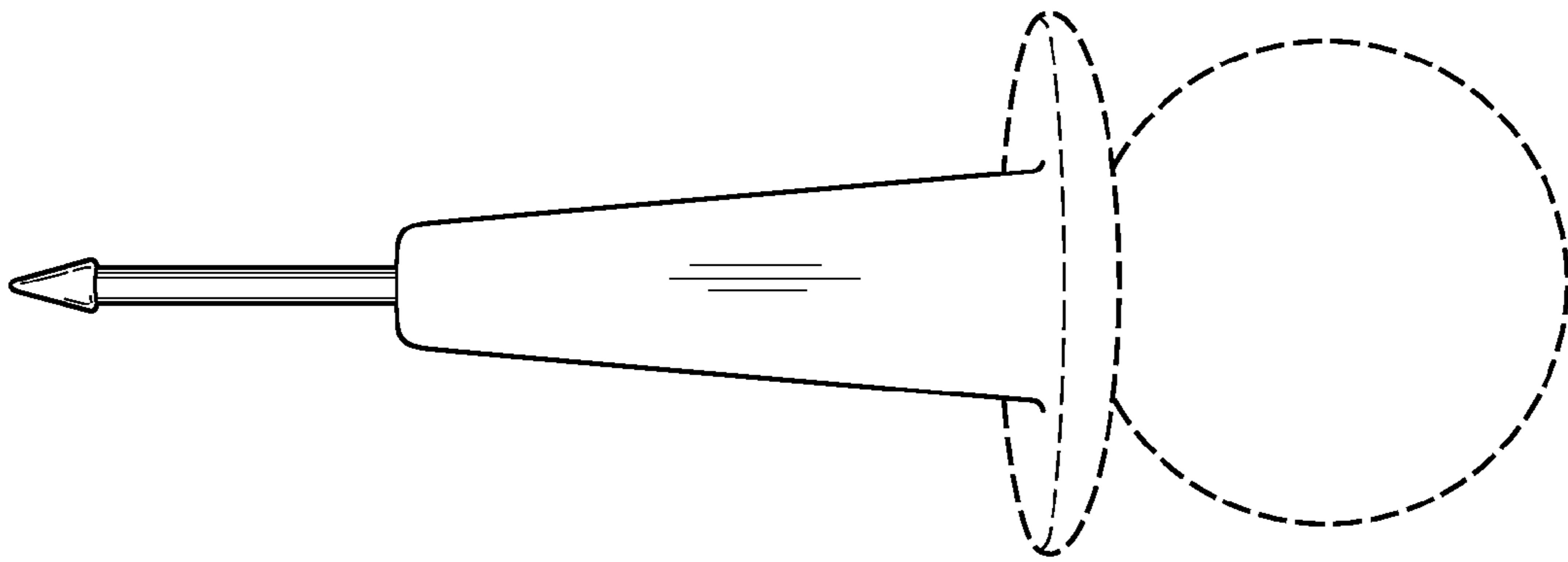


Fig. 6

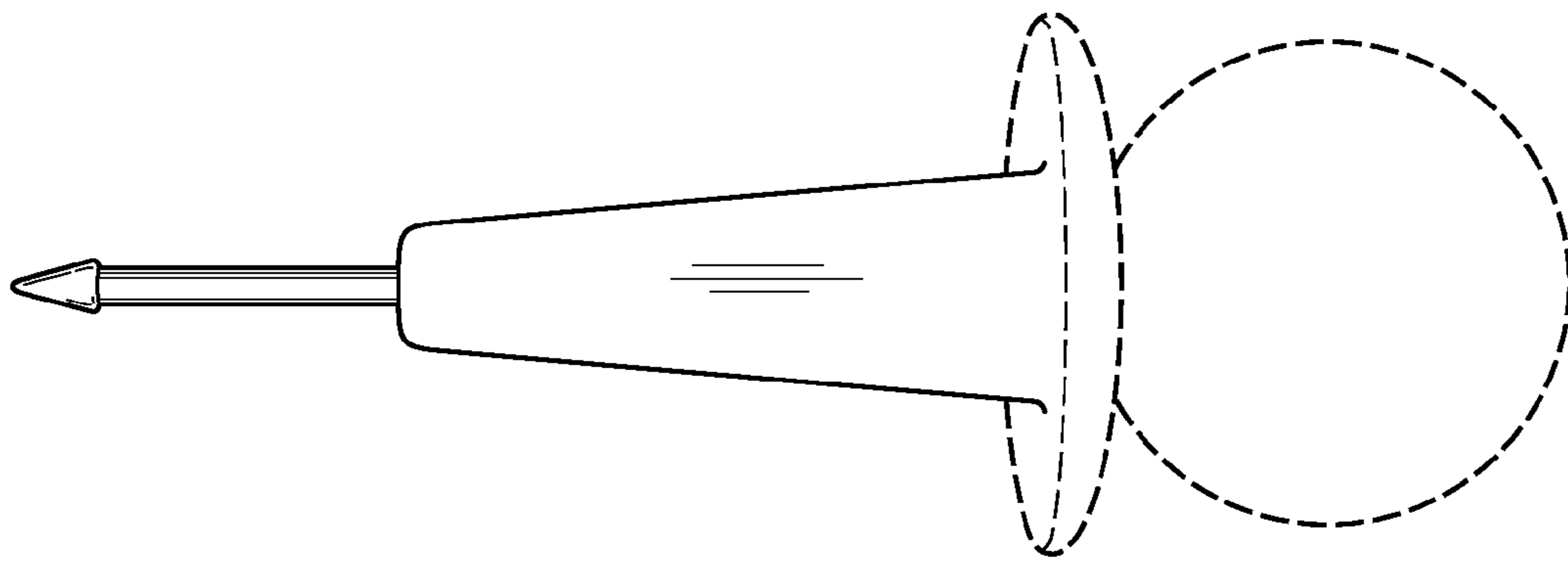


Fig. 7