



US00D696552S

(12) **United States Design Patent**
Rae

(10) **Patent No.:** **US D696,552 S**
(45) **Date of Patent:** **** Dec. 31, 2013**

- (54) **COOKWARE ELONGATED SIDE HANDLE**
- (71) Applicant: **Robert A. Rae**, Las Vegas, NV (US)
- (72) Inventor: **Robert A. Rae**, Las Vegas, NV (US)
- (73) Assignee: **Meyer Intellectual Properties Limited**
(VG)
- (**) Term: **14 Years**
- (21) Appl. No.: **29/457,803**
- (22) Filed: **Jun. 13, 2013**

- D525,081 S * 7/2006 Munari D7/395
- D575,984 S * 9/2008 Coppi D7/393
- D590,206 S * 4/2009 Munari D7/395
- D617,606 S * 6/2010 Munari D7/395
- D618,051 S * 6/2010 Munari D7/395
- D618,961 S * 7/2010 Chafai et al. D7/395

* cited by examiner

Primary Examiner — Cynthia M Chin

(74) *Attorney, Agent, or Firm* — Edward S. Sherman

(57) **CLAIM**

The ornamental design for a cookware elongated side handle, as shown and described.

Related U.S. Application Data

- (62) Division of application No. 29/426,221, filed on Jul. 2, 2012, now Pat. No. Des. 686,873.
- (51) **LOC (9) Cl.** **07-02**
- (52) **U.S. Cl.**
USPC **D7/395**
- (58) **Field of Classification Search**
USPC D7/354–361, 393–395, 401.2, 664;
D8/107, 300, 303, 307, 313, 321;
D4/138, 129; 16/421, 430, 431, 110.1,
16/407; 220/573.1–573.5, 752, 753, 755,
220/756, 759, 767, 771, 912
See application file for complete search history.

DESCRIPTION

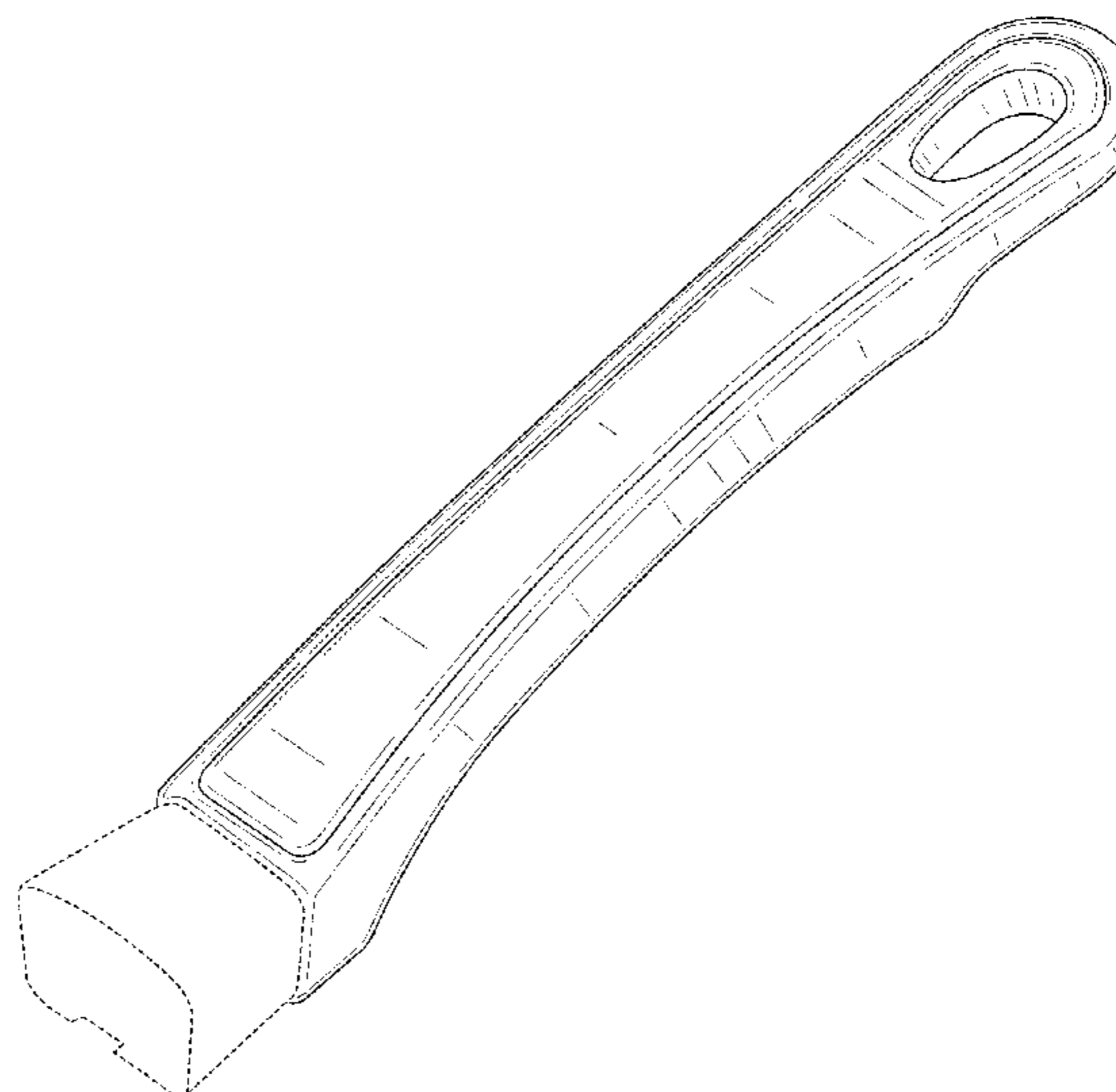
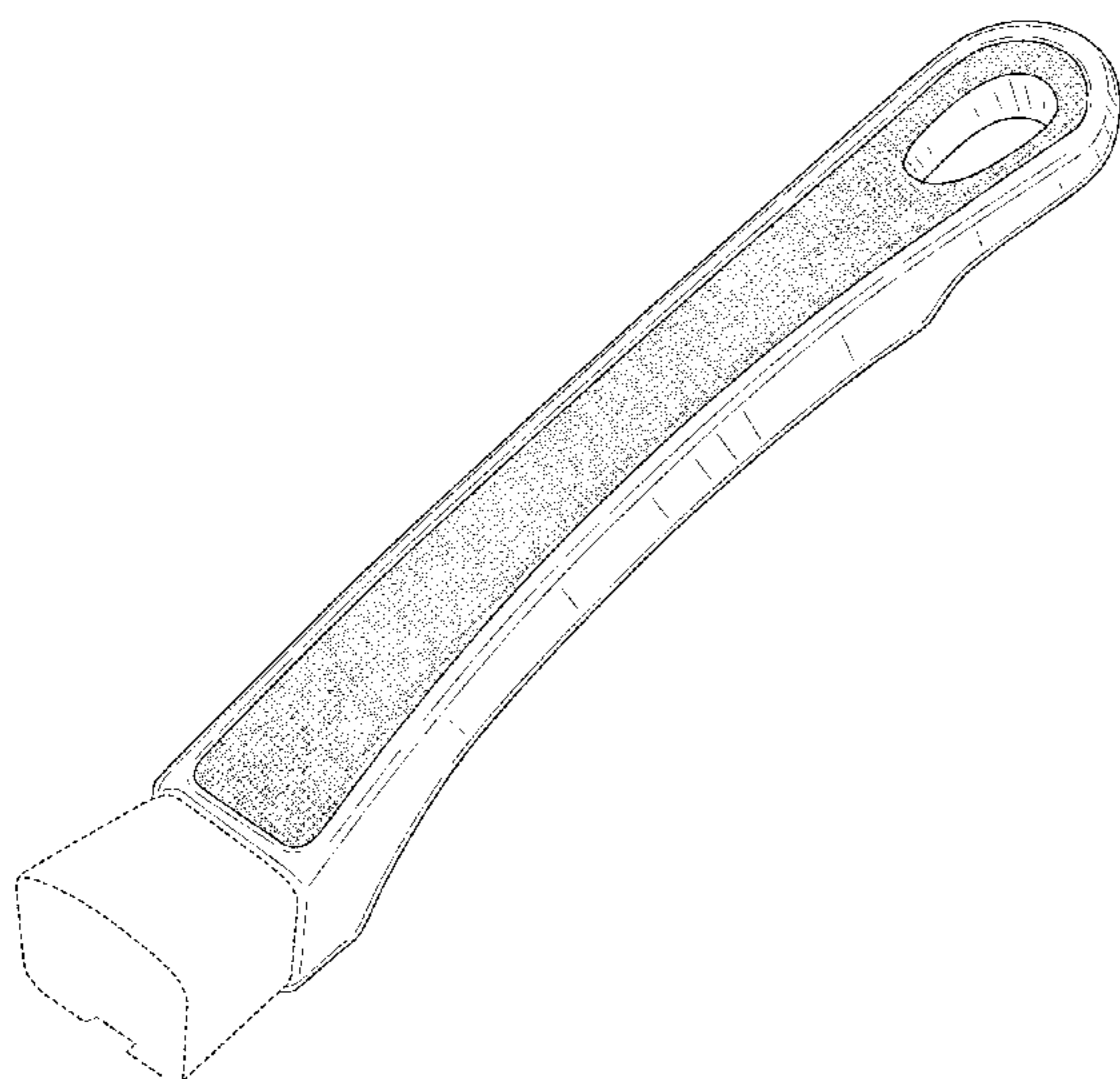
FIG. 1 is a perspective view of a first embodiment a “cookware elongated side handle” showing my new design;
 FIG. 2 is a right side elevation view thereof; the left side elevation view being the mirror image thereof,
 FIG. 3 is a top plan view thereof;
 FIG. 4 is a bottom plan view thereof;
 FIG. 5 is a front elevation view thereof;
 FIG. 6 is a rear elevation view thereof;
 FIG. 7 is a perspective view of a second embodiment of my new design;
 FIG. 8 is a right side elevation view thereof; the left side elevation view being the mirror image thereof,
 FIG. 9 is a top plan view thereof;
 FIG. 10 is a bottom plan view thereof;
 FIG. 11 is a front elevation view thereof; and,
 FIG. 12 is a rear elevation view thereof.
 The broken lines in FIGS. 1-12 are for illustrative purposes only, depicting the environment of the new design, forming no part thereof as claimed.

(56) **References Cited**

U.S. PATENT DOCUMENTS

- D326,980 S * 6/1992 Lin D7/395
- D376,727 S * 12/1996 Baumgarten D7/395
- D438,054 S * 2/2001 Munari D7/395
- D452,631 S * 1/2002 Knorr D7/395
- D483,990 S * 12/2003 Munari D7/395
- D490,270 S * 5/2004 Pippel et al. D7/395
- D519,316 S * 4/2006 Plichon D7/395

1 Claim, 10 Drawing Sheets



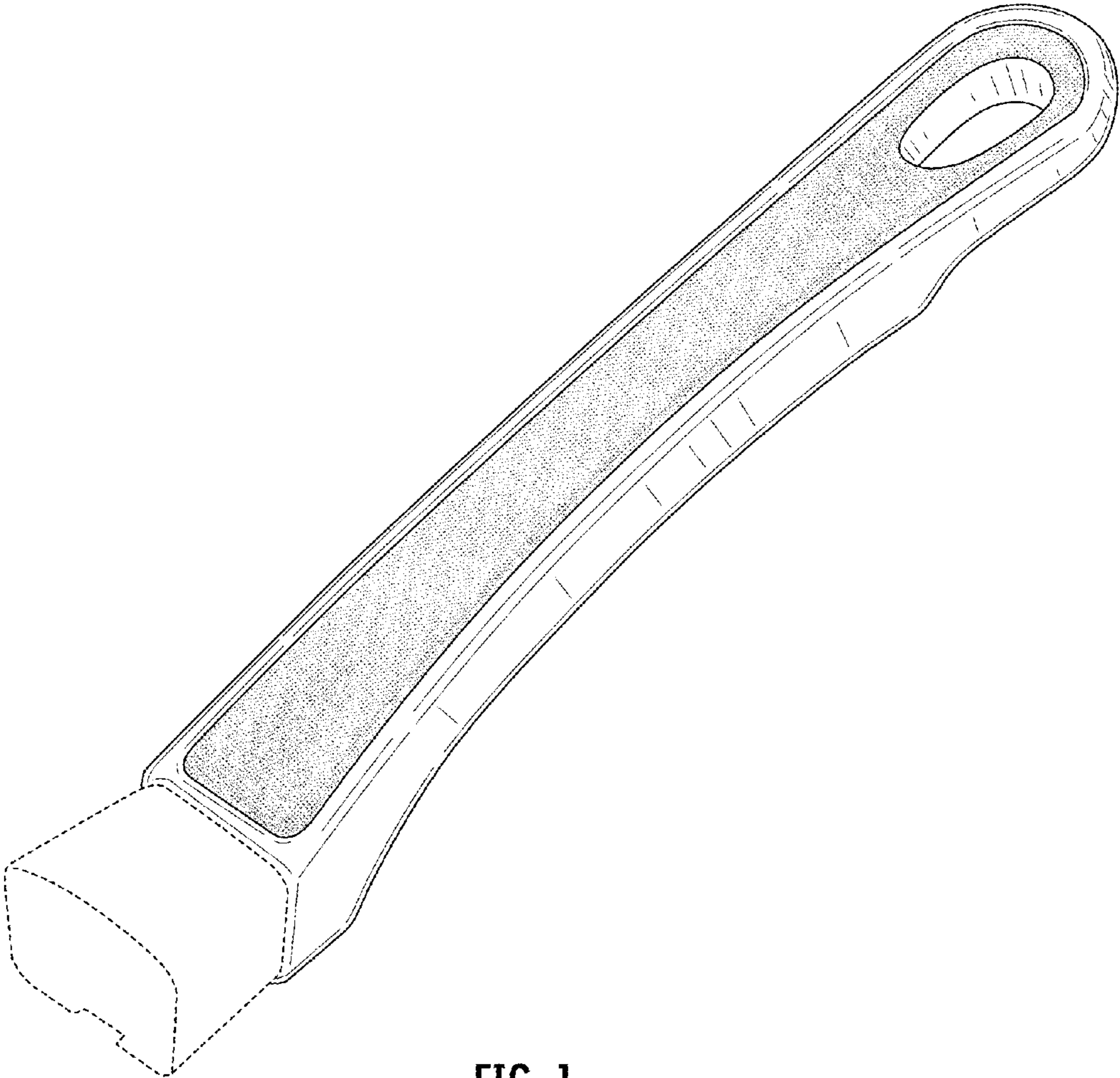


FIG. 1

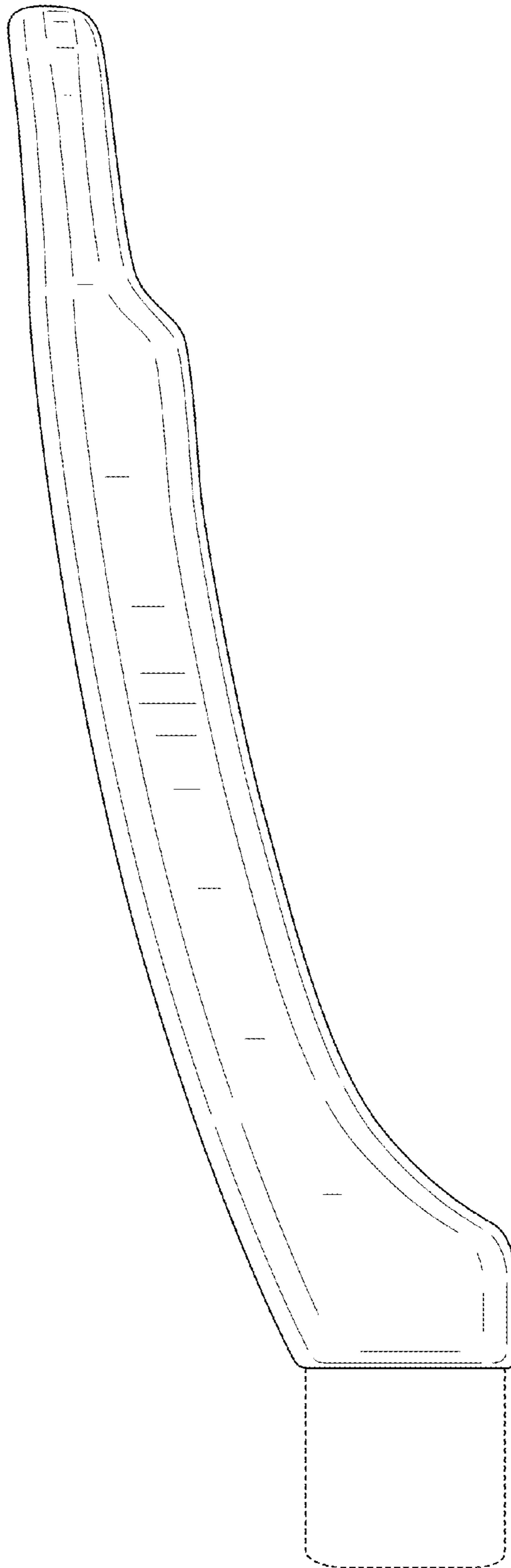


FIG. 2

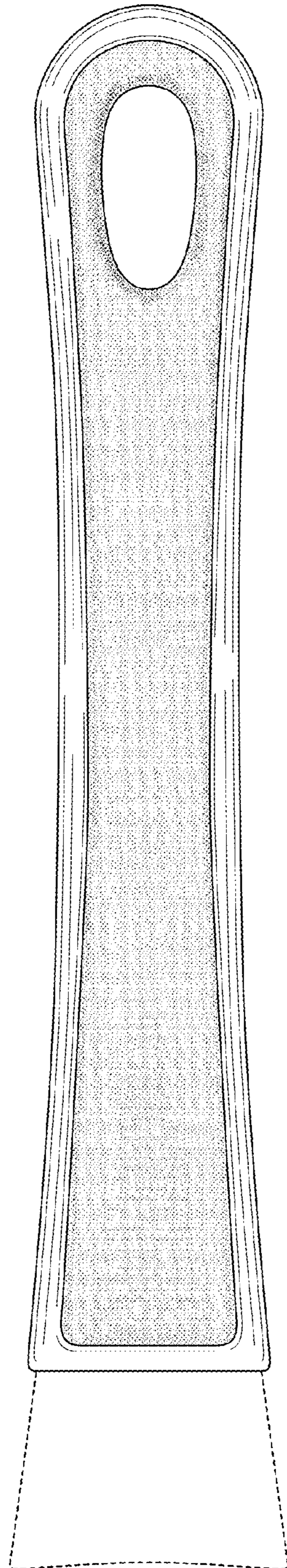


FIG. 3

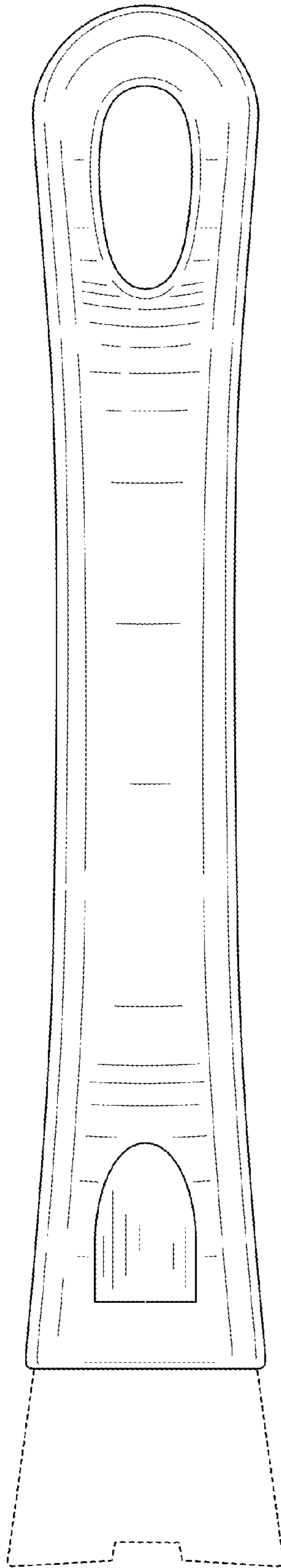


FIG. 4

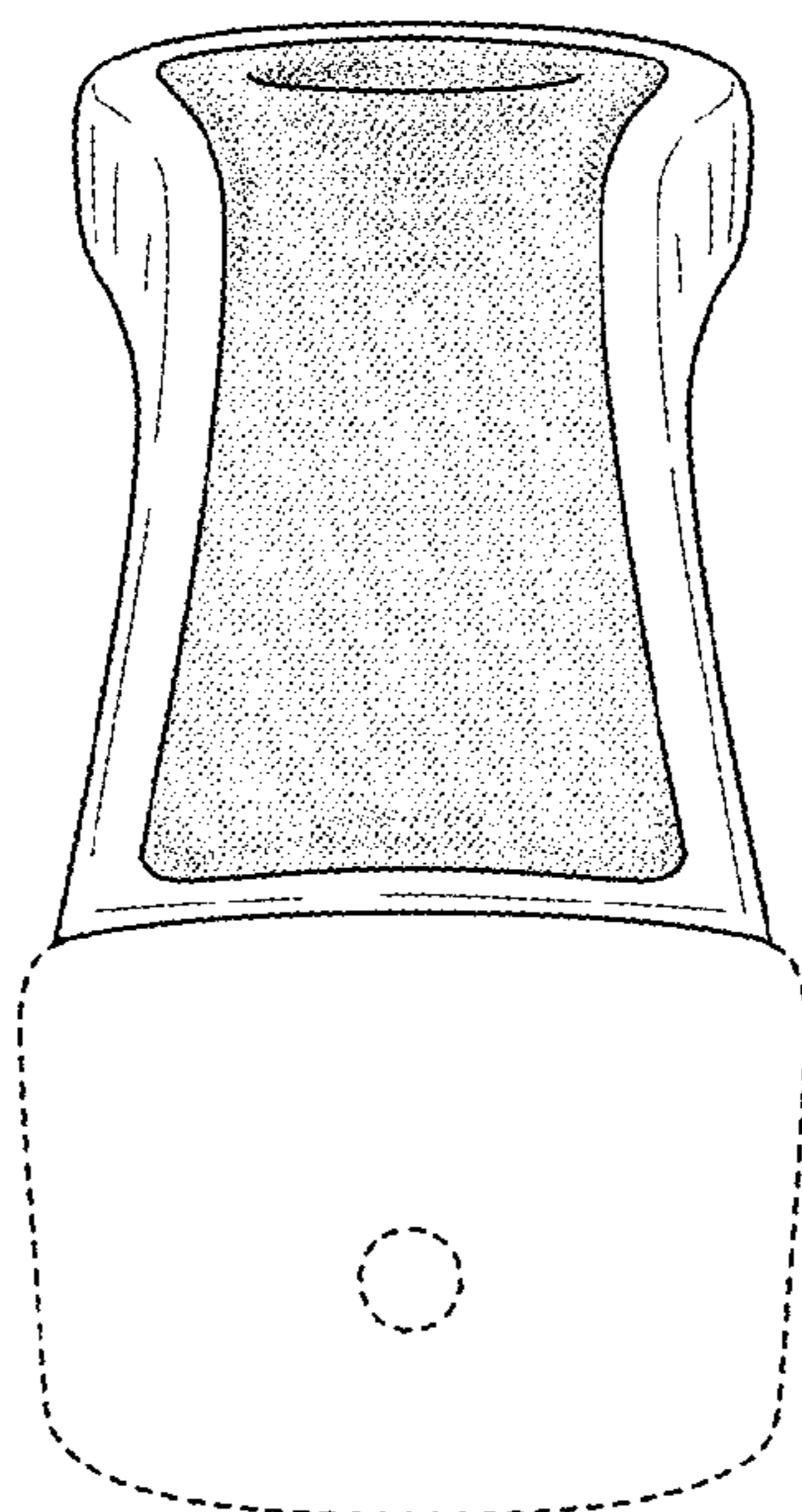


FIG. 5

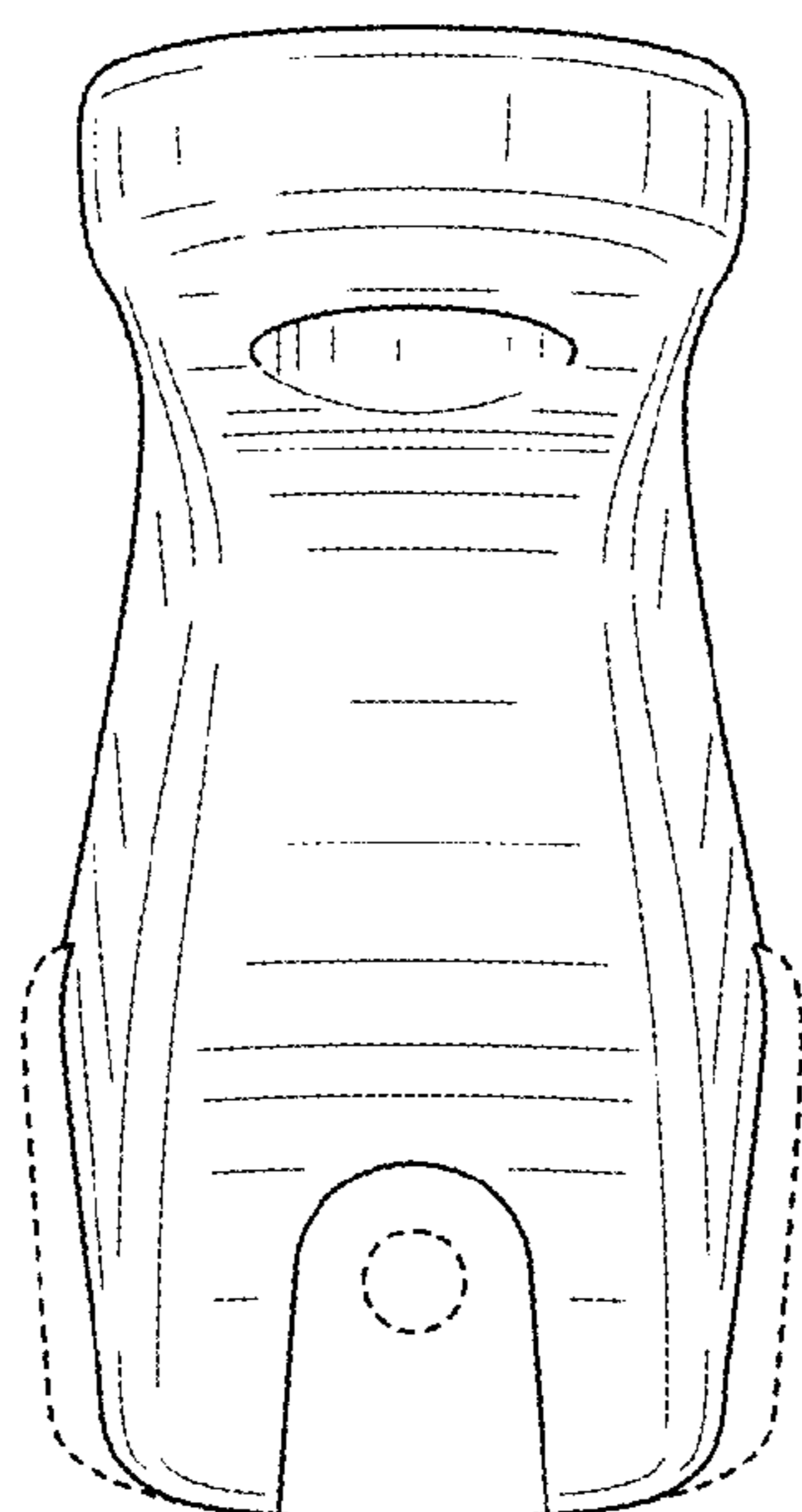


FIG. 6

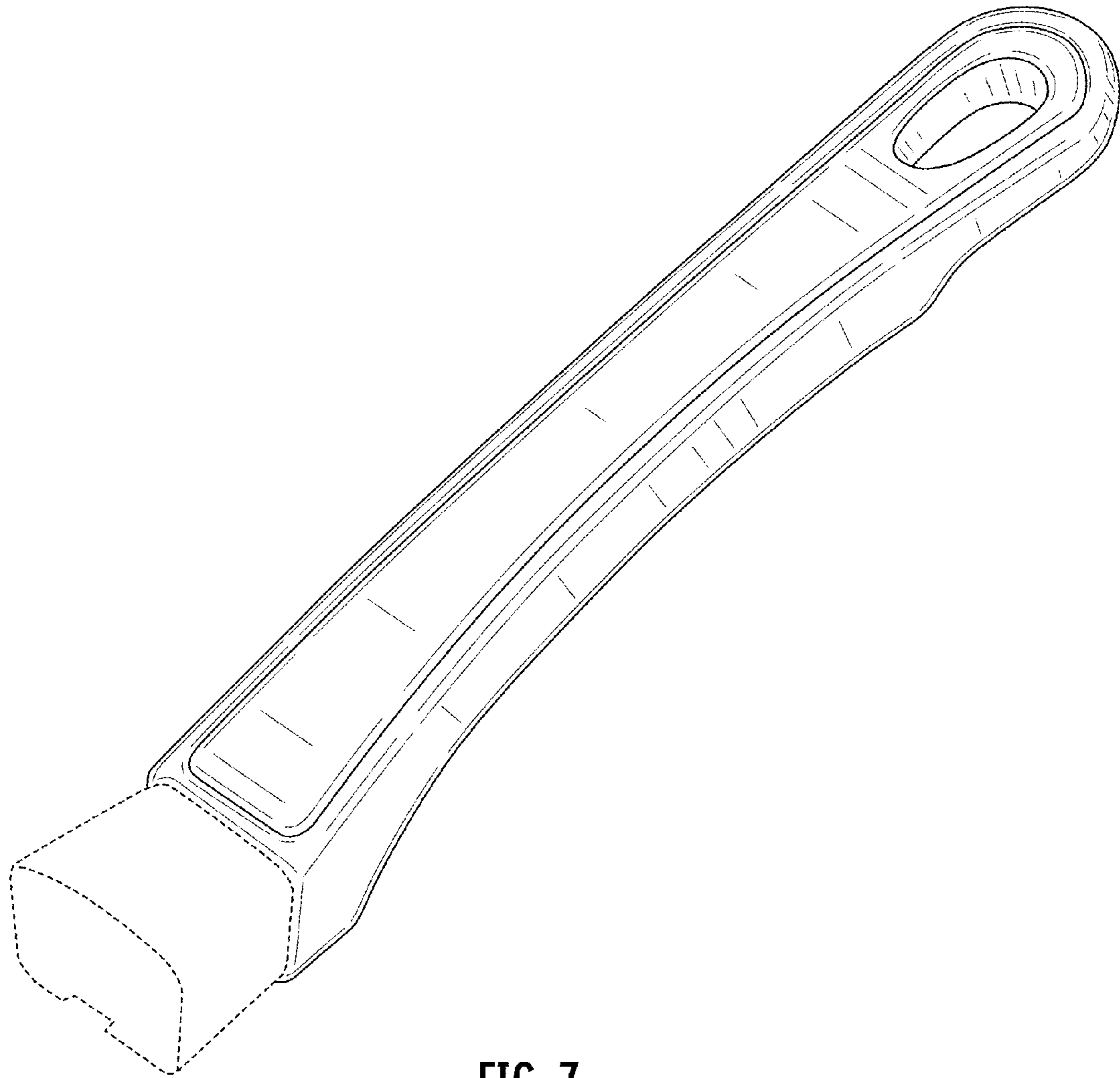


FIG. 7

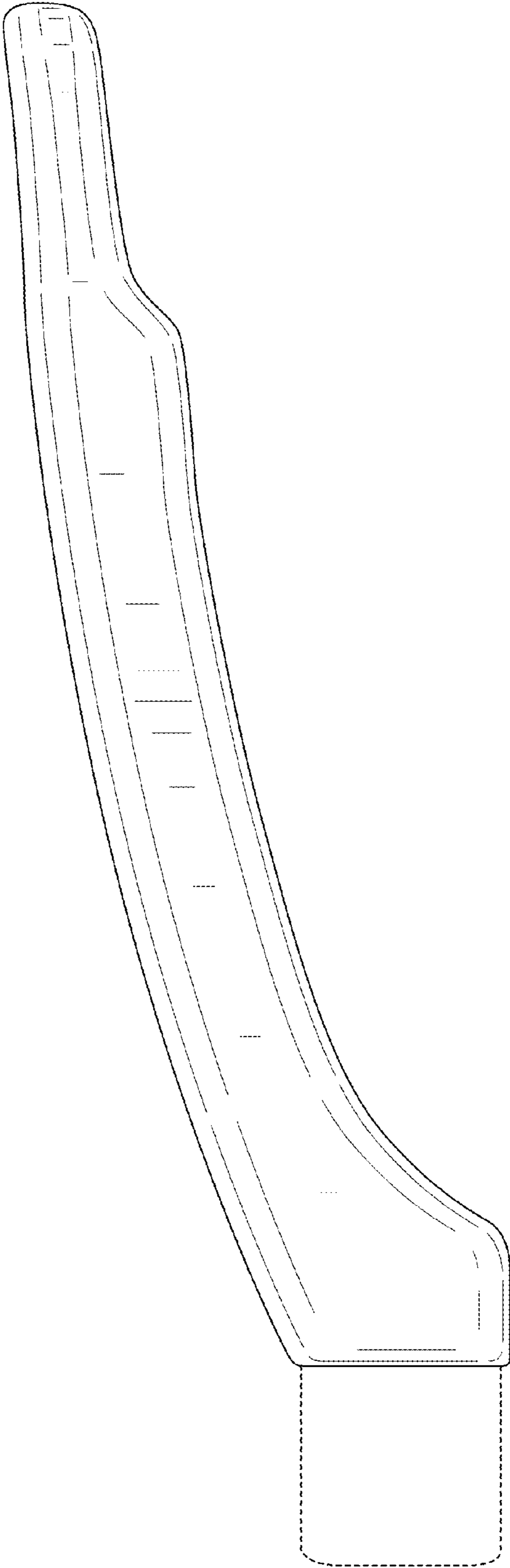


FIG. 8

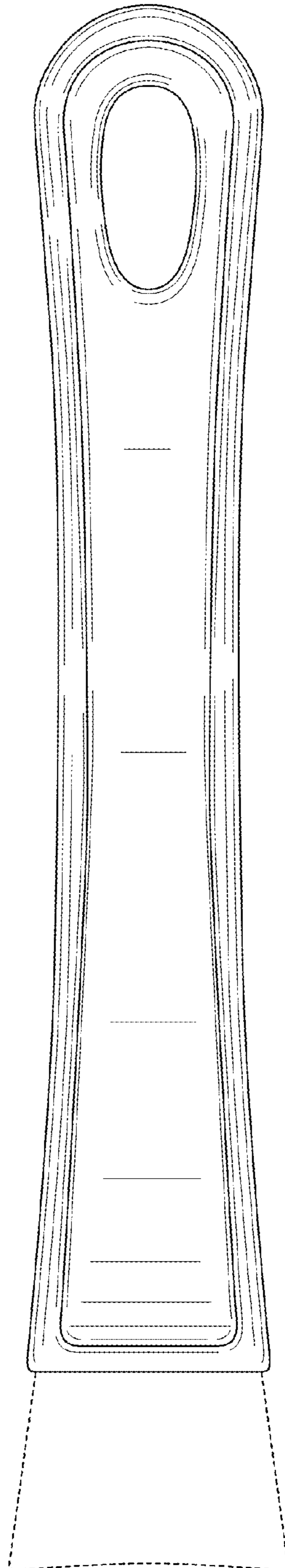


FIG. 9

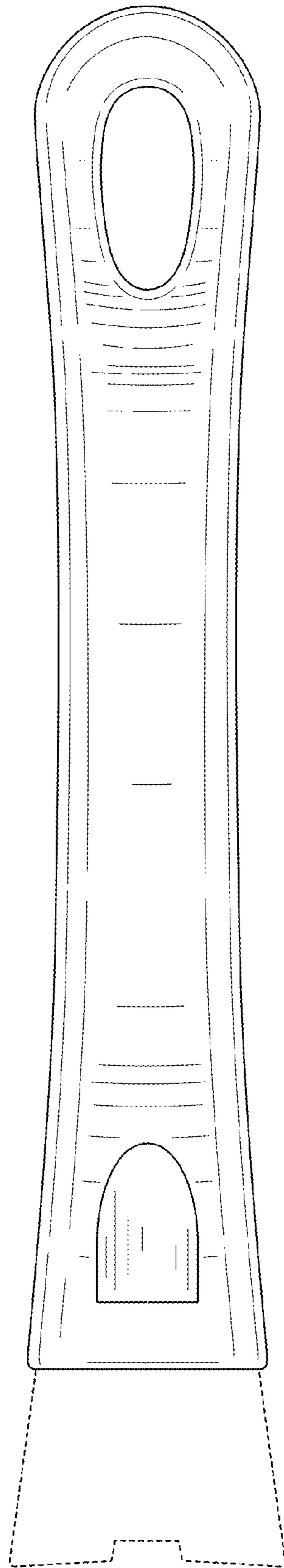


FIG. 10

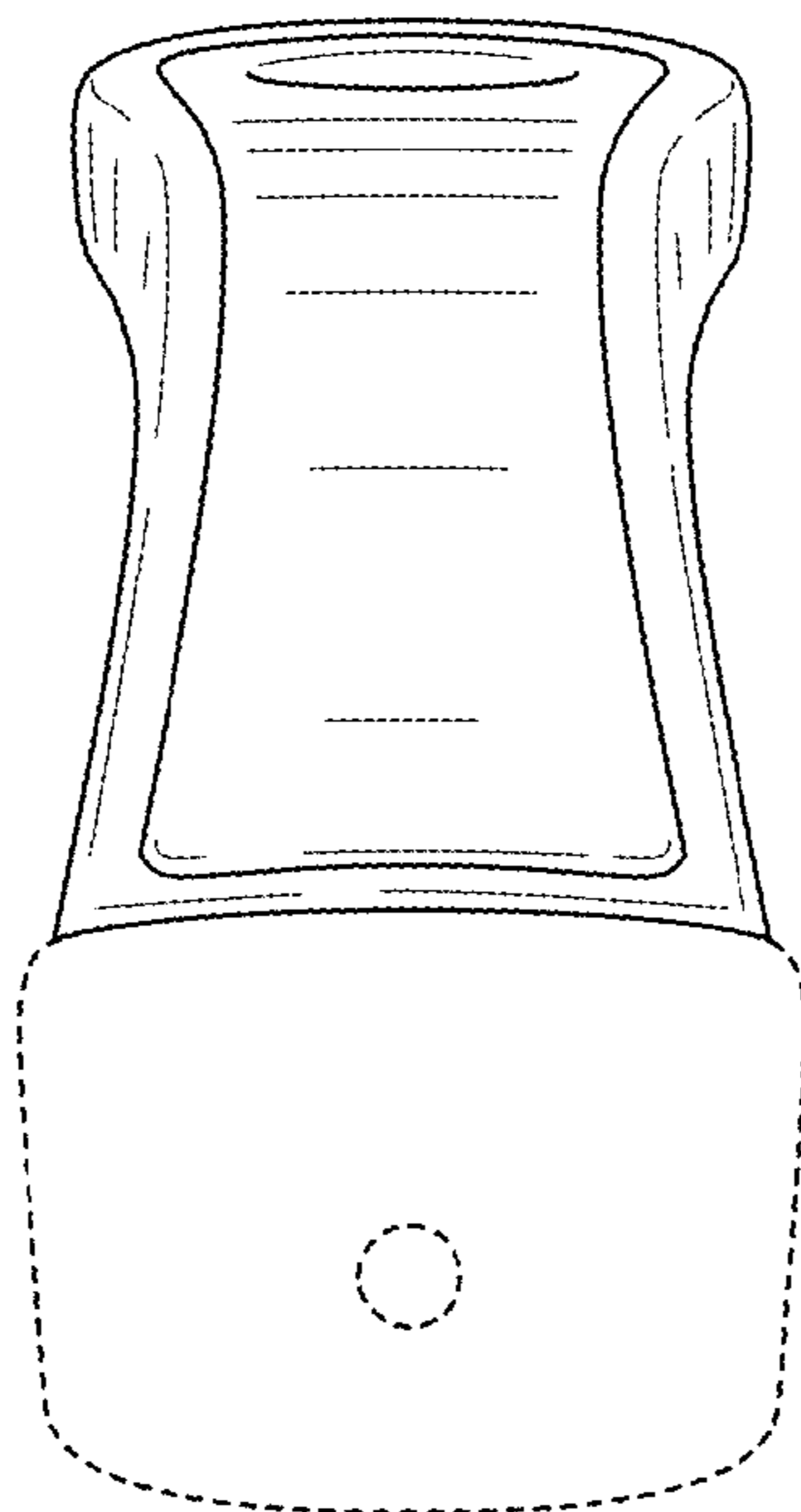


FIG. 11

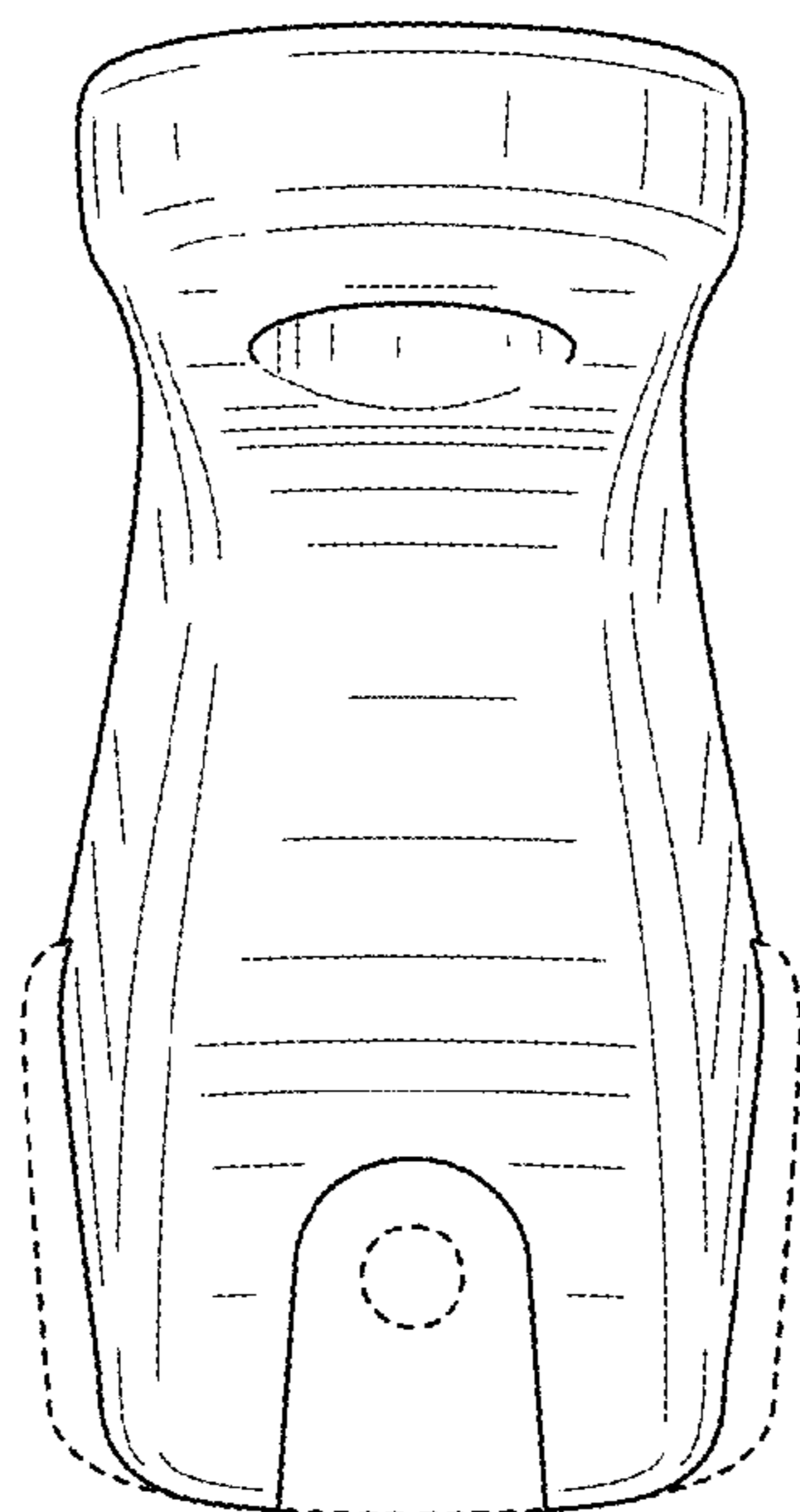


FIG. 12