



US00D696549S

(12) **United States Design Patent**  
**Pennington**

(10) **Patent No.:** **US D696,549 S**

(45) **Date of Patent:** **\*\* Dec. 31, 2013**

(54) **GRILL**

(71) Applicant: **Hamilton Beach Brands, Inc.**, Glen Allen, VA (US)

(72) Inventor: **Paula L Pennington**, Mechanicsville, VA (US)

(73) Assignee: **Hamilton Beach Brands, Inc.**, Glen Allen, VA (US)

(\*\*) Term: **14 Years**

(21) Appl. No.: **29/444,668**

(22) Filed: **Feb. 1, 2013**

(51) **LOC (9) Cl.** ..... **07-02**

(52) **U.S. Cl.**  
USPC ..... **D7/363; D7/367**

(58) **Field of Classification Search**  
USPC ..... D7/323, 329–332, 337–339, 346–347, D7/350.1–350.4, 353–367, 391–395, D7/402–406, 538, 542–543, 665; D24/206; 99/324–327, 330–343, 369, 99/366, 400–418, 422, 425, 444, 483; 126/37 R, 41 R, 261, 378.1; 219/386–387, 400, 405, 429–442, 219/450.1, 452.11, 521–525, 620–624, 725, 219/730–735; 220/23.88, 314–315, 485, 220/573.1–573.5, 592.16, 912; 426/438, 426/441, 523

See application file for complete search history.

(56) **References Cited**

U.S. PATENT DOCUMENTS

D139,751 S	12/1944	Springwell	
D229,448 S *	11/1973	Traclet .....	D7/337
D236,183 S *	8/1975	Greger .....	D7/363
D249,864 S *	10/1978	Mackay et al. ....	D7/364
D285,523 S *	9/1986	Ayukawa et al. ....	D7/367
D289,847 S *	5/1987	Okamoto et al. ....	D7/363
D296,509 S	7/1988	Fuke	
D297,701 S *	9/1988	Nakagawa et al. ....	D7/363
D335,240 S *	5/1993	Critchfield et al. ....	D7/364
D366,390 S	1/1996	Vitantonio	
D442,426 S	5/2001	Garber et al.	
D501,117 S *	1/2005	Bassill .....	D7/367
D533,016 S	12/2006	Genslak et al.	
D575,098 S *	8/2008	Seymour .....	D7/363
D602,597 S *	10/2009	Nomi et al. ....	D24/206
D643,674 S *	8/2011	Lee et al. ....	D7/363
D644,867 S *	9/2011	Janvier .....	D7/363
2006/0163242 A1 *	7/2006	Ciancimino et al. ....	219/450.1

\* cited by examiner

*Primary Examiner* — Ricky Pham

(74) *Attorney, Agent, or Firm* — Alexander D. Raring

(57) **CLAIM**

The ornamental design for a grill, as shown and described.

**DESCRIPTION**

FIG. 1 is a perspective view as seen from the top, front and right side of a grill showing the new design;

FIG. 2 is a front view thereof;

FIG. 3 is a right side view thereof;

FIG. 4 is a rear view thereof;

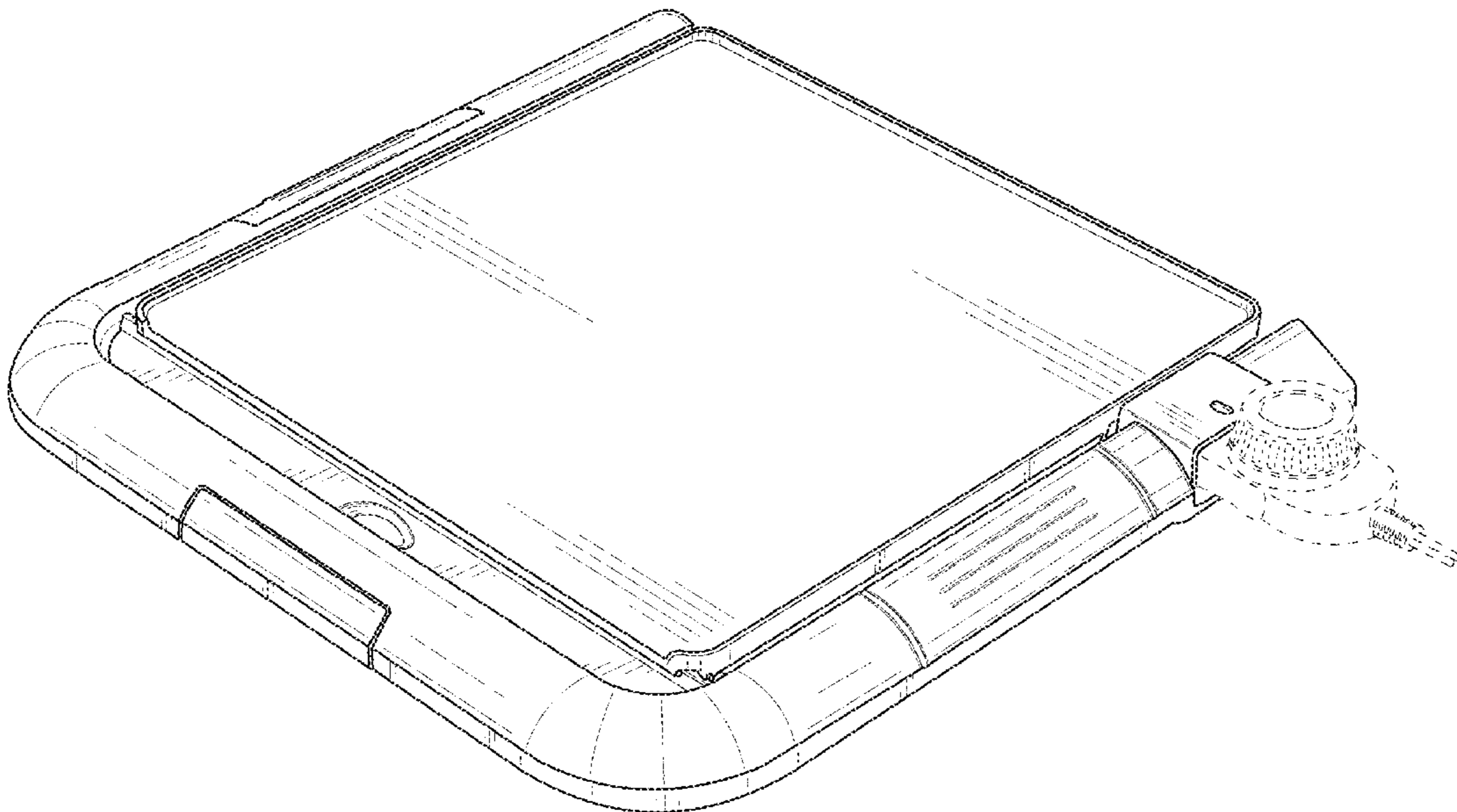
FIG. 5 is a top view thereof;

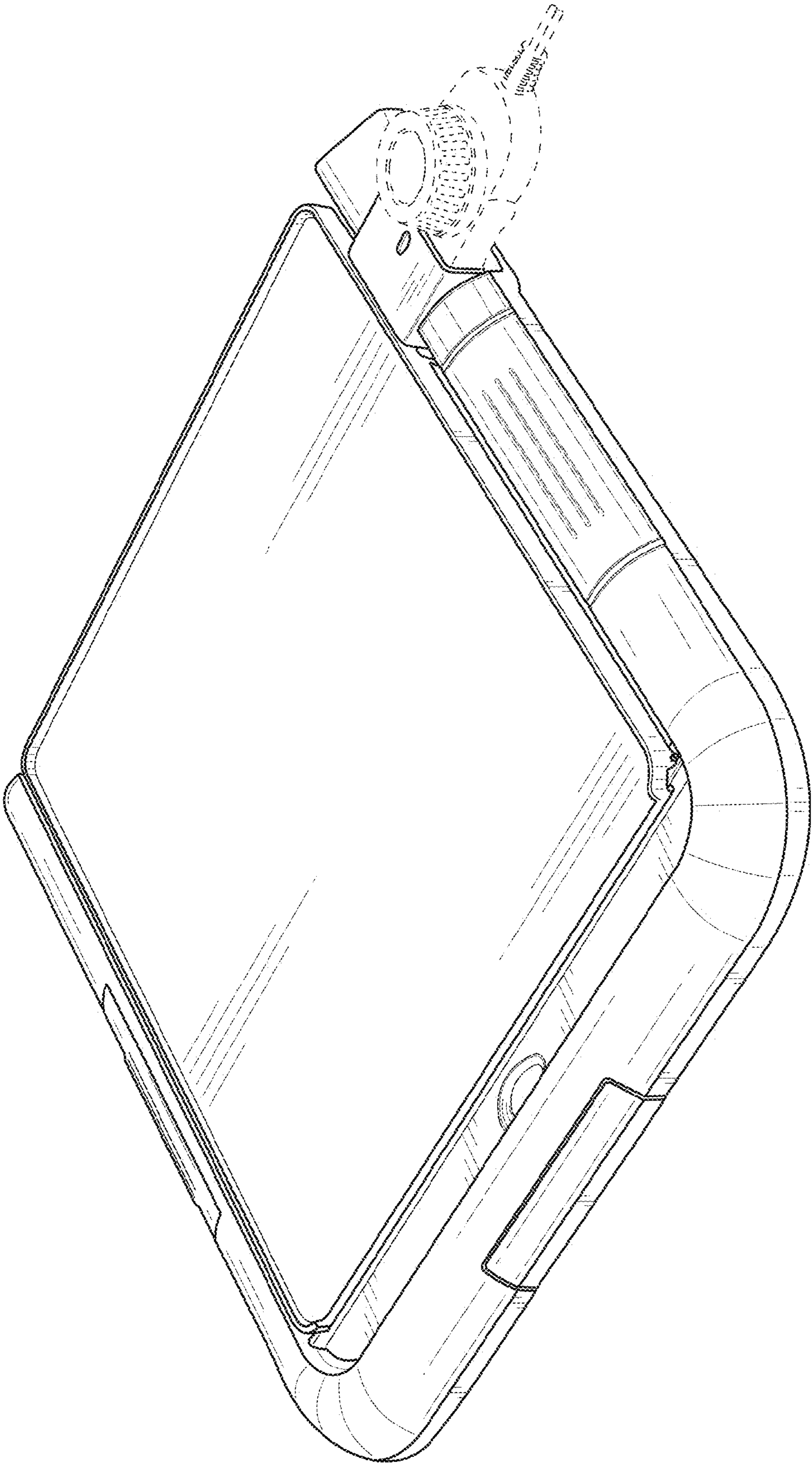
FIG. 6 is a left side thereof; and,

FIG. 7 is a bottom view thereof.

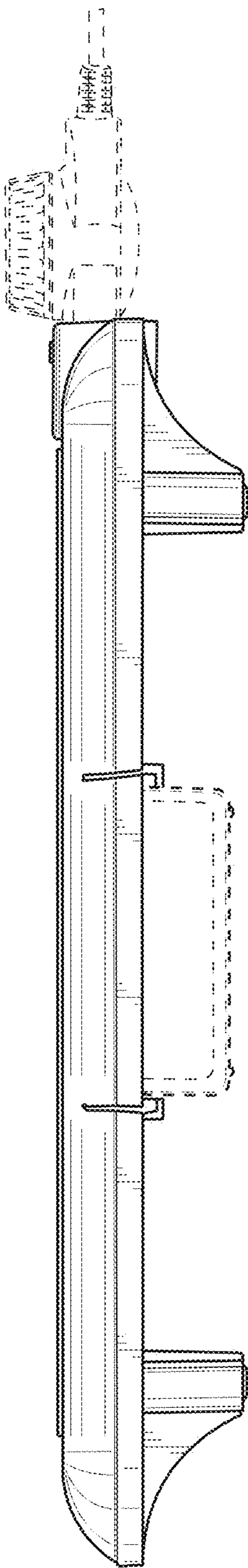
The broken lines in the drawings are included for illustrative purposes only and form no part of the claimed design.

**1 Claim, 7 Drawing Sheets**

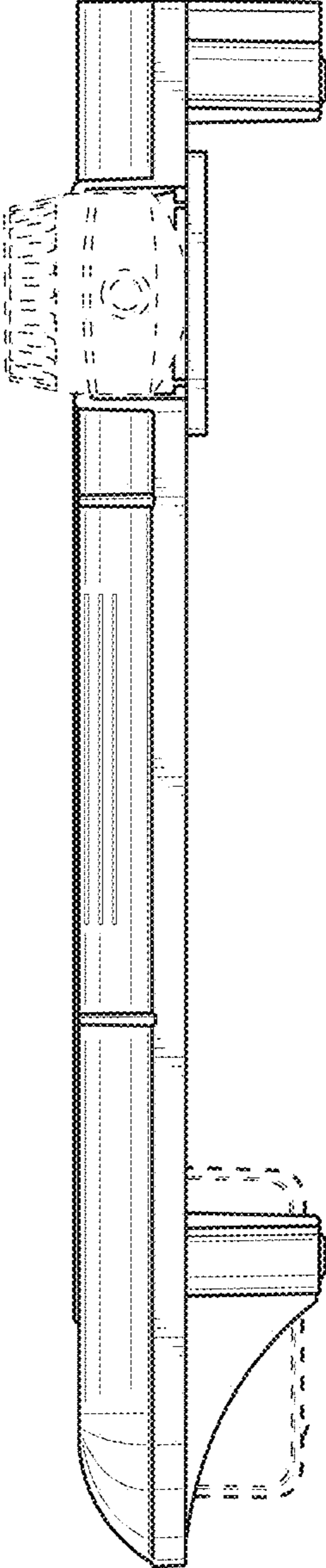




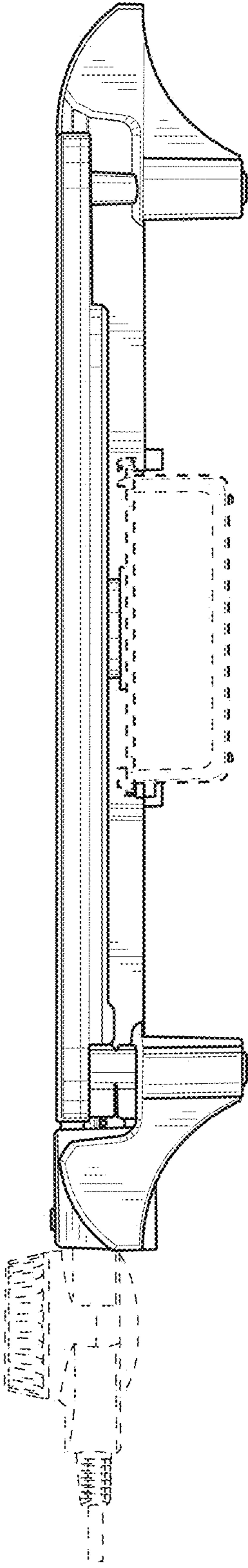
**FIG. 1**



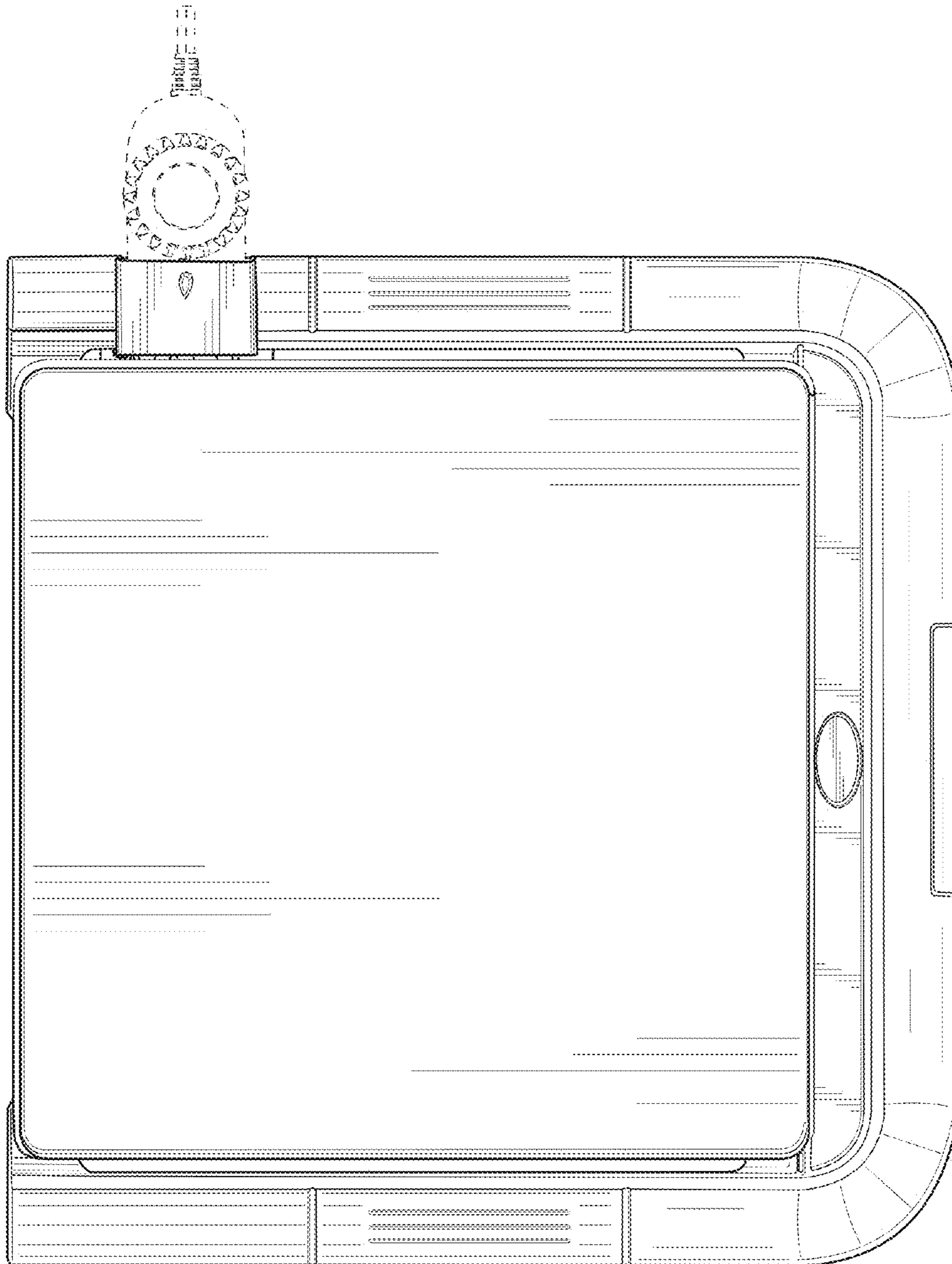
**FIG. 2**



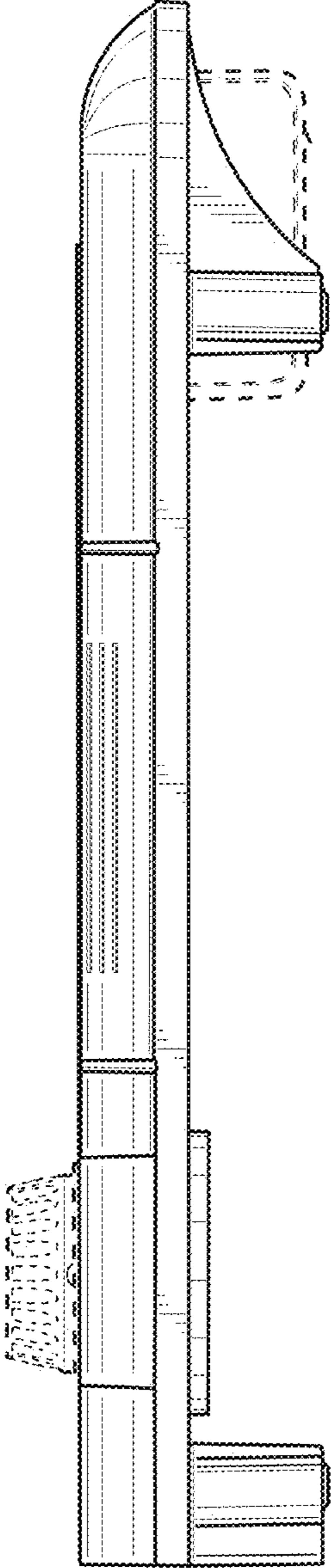
**FIG. 3**



**FIG. 4**



**FIG. 5**



**FIG. 6**

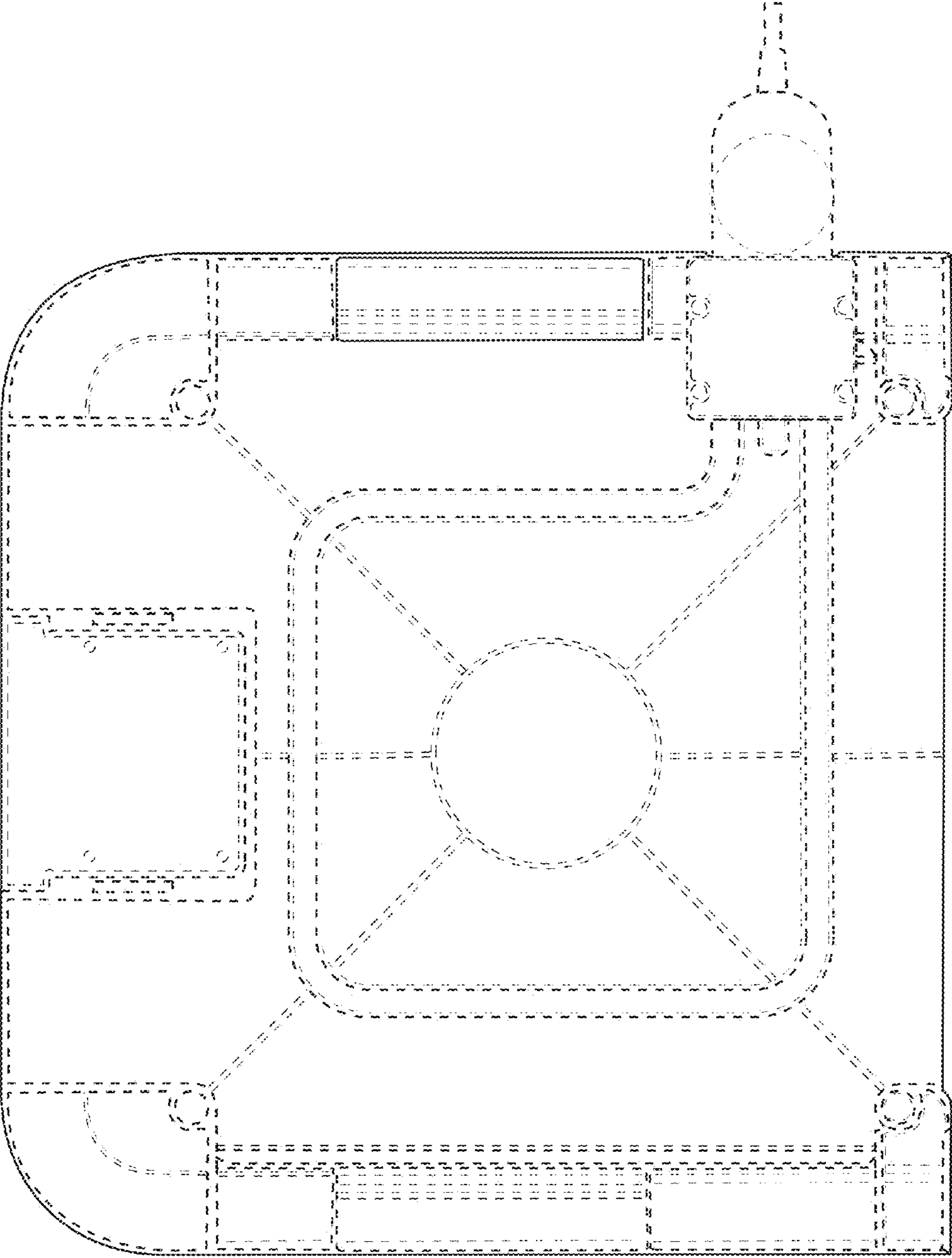


FIG. 7