



US00D696548S

(12) **United States Design Patent**  
**Weskamp et al.**

(10) **Patent No.:** **US D696,548 S**

(45) **Date of Patent:** **\*\* Dec. 31, 2013**

(54) **KOREAN BARBECUE**

(56) **References Cited**

(71) Applicants: **Tracy A. Weskamp**, Kildeer, IL (US);  
**Mario M. Gonzalez**, Kenosha, WI (US);  
**Gregory J. Foster**, Chicago, IL (US)

U.S. PATENT DOCUMENTS

(72) Inventors: **Tracy A. Weskamp**, Kildeer, IL (US);  
**Mario M. Gonzalez**, Kenosha, WI (US);  
**Gregory J. Foster**, Chicago, IL (US)

1,945,397	A	*	1/1934	Gray	.....	220/645
D223,854	S	*	6/1972	Swett et al.	.....	D7/392.1
D229,656	S	*	12/1973	Garcia	.....	D7/359
D252,008	S	*	6/1979	Jeambey	.....	D7/359
D264,036	S	*	4/1982	Pomroy et al.	.....	D7/359
D269,586	S	*	7/1983	Allgeyer et al.	.....	D7/359
D291,854	S	*	9/1987	Pomroy et al.	.....	D7/402
D335,795	S	*	5/1993	Conti	.....	D7/545
6,082,249	A	*	7/2000	Su	.....	99/340
6,782,801	B1	*	8/2004	Correa et al.	.....	99/340
D598,714	S	*	8/2009	Aagaard	.....	D7/554.1
D678,712	S	*	3/2013	Mehler	.....	D7/359
2007/0193575	A1	*	8/2007	Jan	.....	126/390.1

(73) Assignee: **Weber-Stephen Products, LLC**,  
Palatine, IL (US)

(\*\*) Term: **14 Years**

\* cited by examiner

(21) Appl. No.: **29/454,250**

*Primary Examiner* — Ricky Pham

(22) Filed: **May 8, 2013**

(74) *Attorney, Agent, or Firm* — Niro Haller & Niro

(51) **LOC (9) Cl.** ..... **07-02**

(52) **U.S. Cl.**  
USPC ..... **D7/359**; D7/354; D7/409

(57) **CLAIM**

The ornamental design for a Korean barbecue, as shown and described.

(58) **Field of Classification Search**  
USPC ..... D7/323, 329–332, 337–339, 346–347,  
D7/350.1–350.4, 352–367, 391–395,  
D7/402–409, 501, 538, 542–545, 552.2,  
D7/553.6, 554.1–554.2, 557, 665, 672;  
99/324–327, 330–347, 369, 366, 372,  
99/377, 400–419, 422–426, 444–446,  
99/483; 126/37 R, 41 R, 261, 332, 378.1,  
126/390.1; 219/386–387, 400, 405,  
219/429–442, 452.11, 521–525, 620–624,  
219/725, 730–735; 220/23.88, 314–315,  
220/485, 507, 573.1–573.5, 592.16, 645,  
220/912; 426/438, 441, 523

**DESCRIPTION**

FIG. 1 is a top perspective view of the Korean barbecue;  
FIG. 2 is a bottom perspective view of the Korean barbecue;  
FIG. 3 is a top view of the Korean barbecue;  
FIG. 4 is a front view of the Korean barbecue, the rear view  
being a mirror image thereof;  
FIG. 5 is a bottom view of the Korean barbecue; and,  
FIG. 6 is a left side view of the Korean barbecue, the right side  
view being a mirror image thereof.

See application file for complete search history.

**1 Claim, 3 Drawing Sheets**

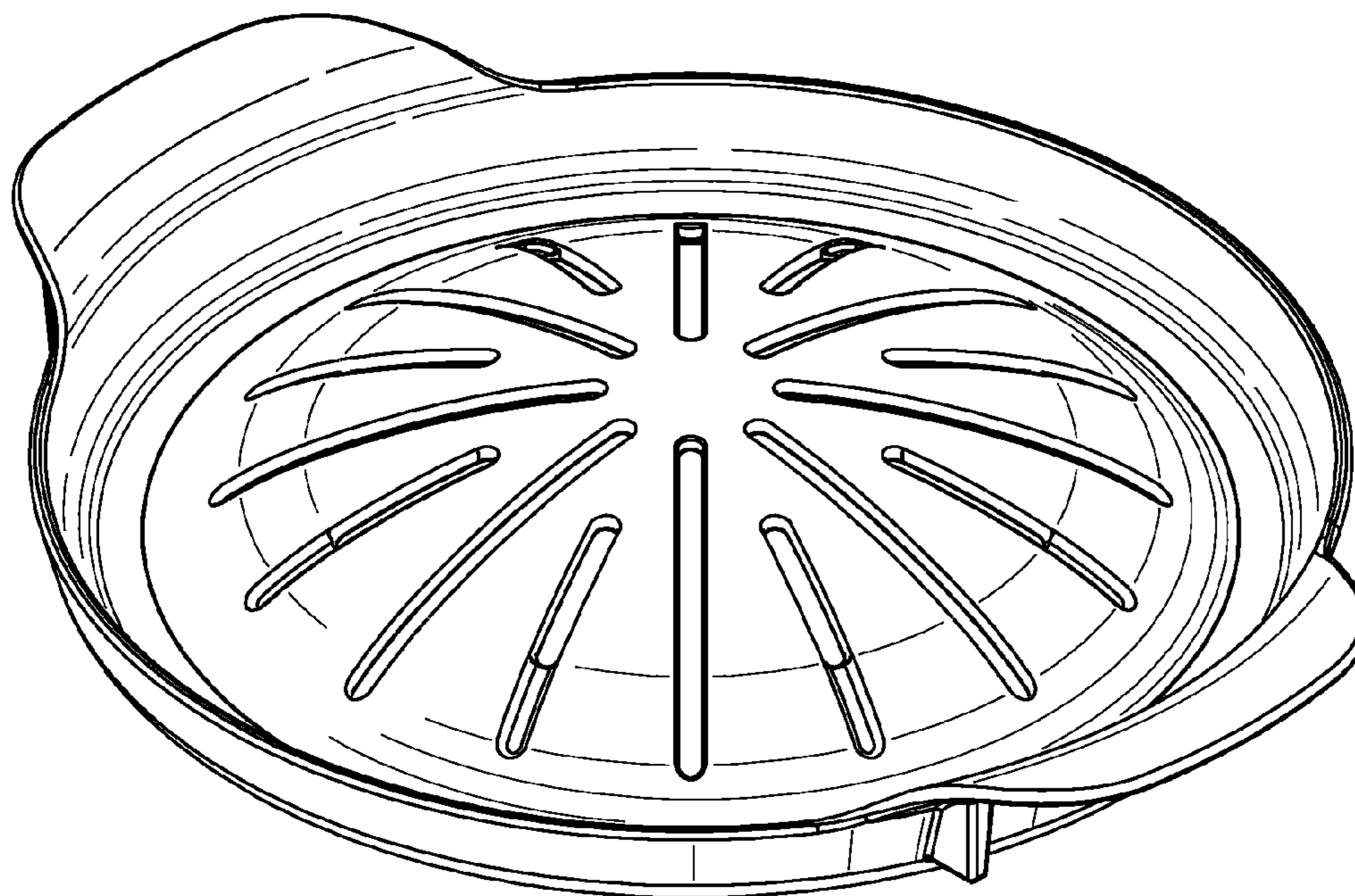


Fig. 1

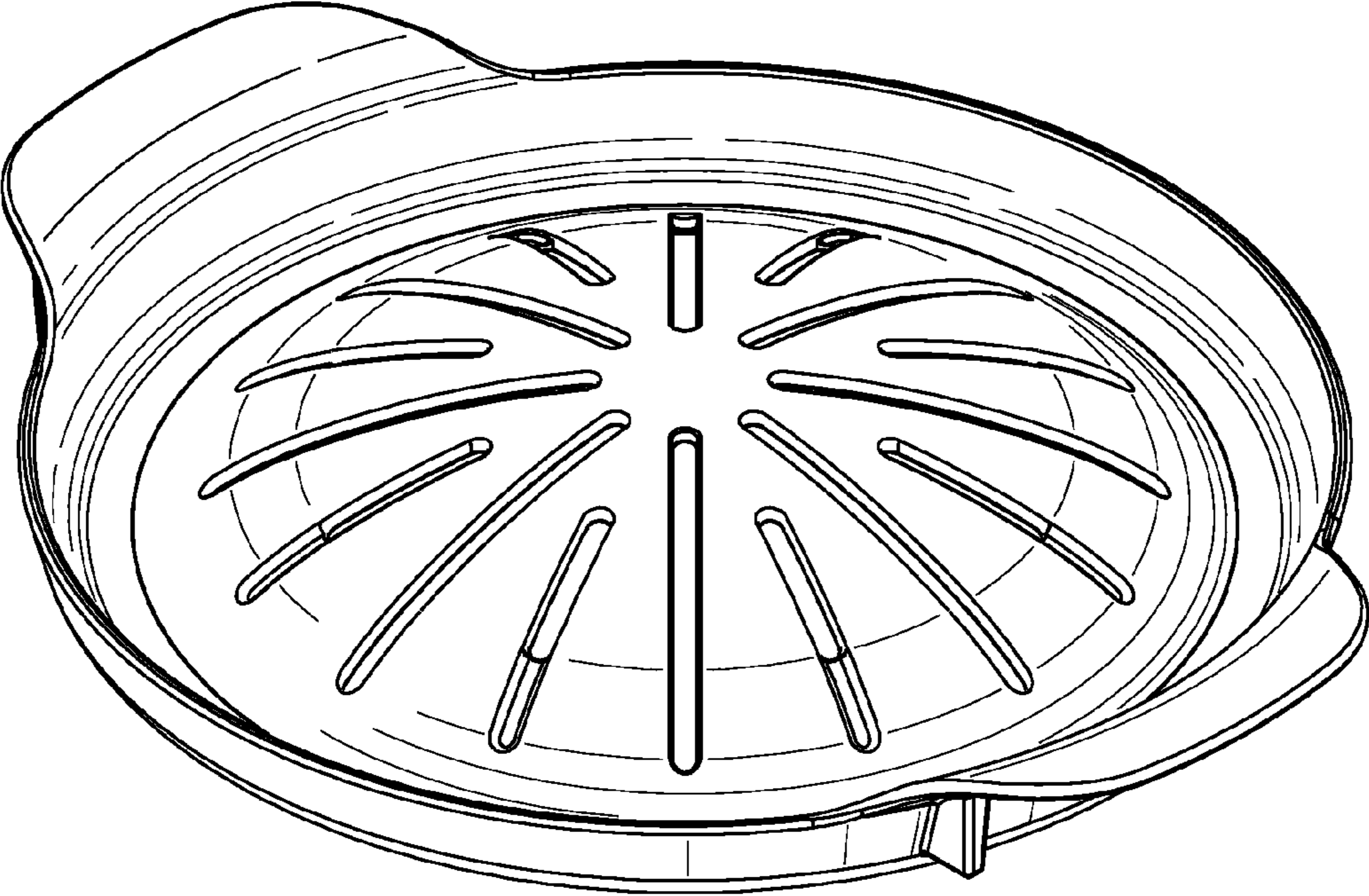


Fig. 2

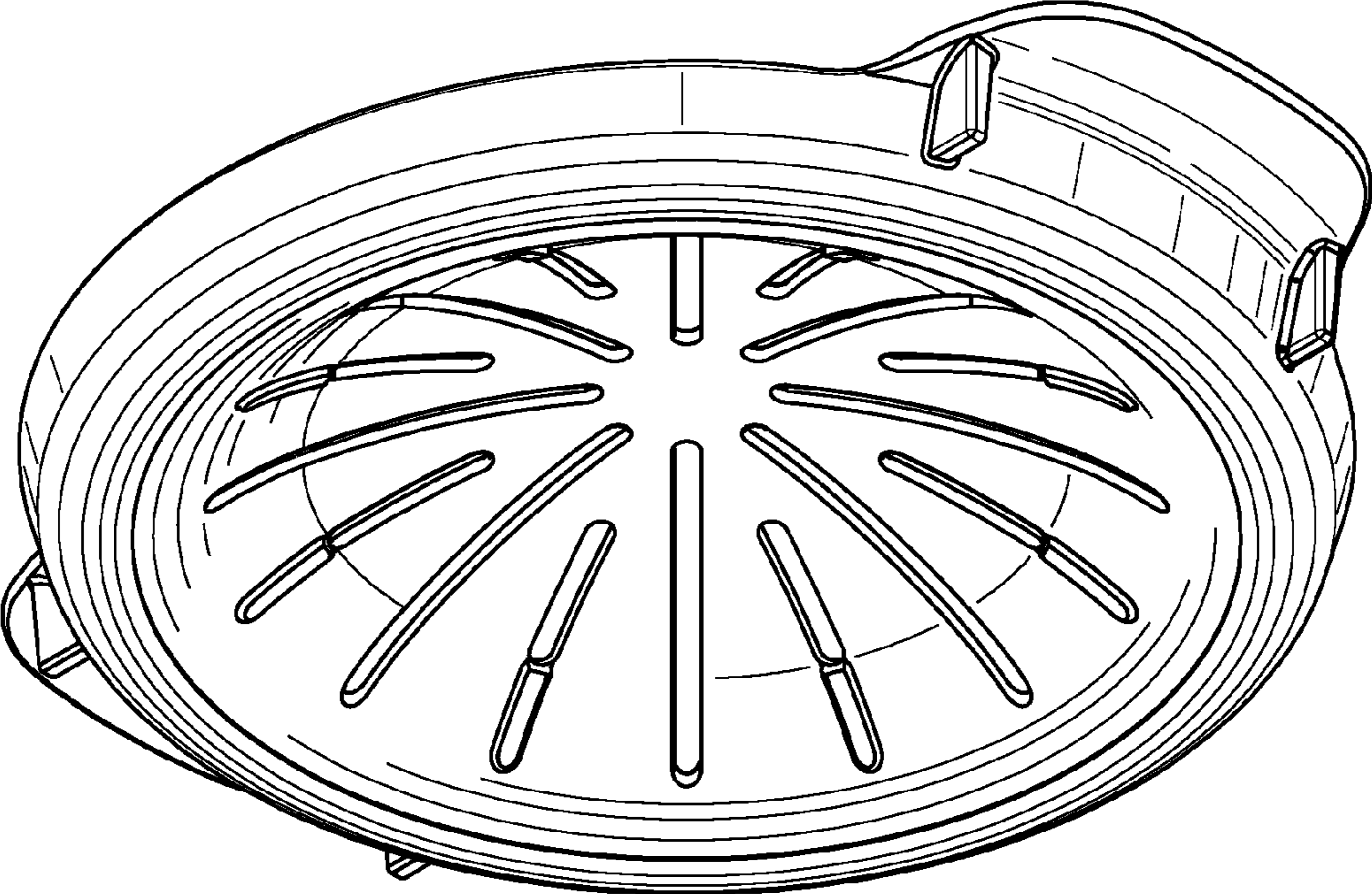


Fig. 3

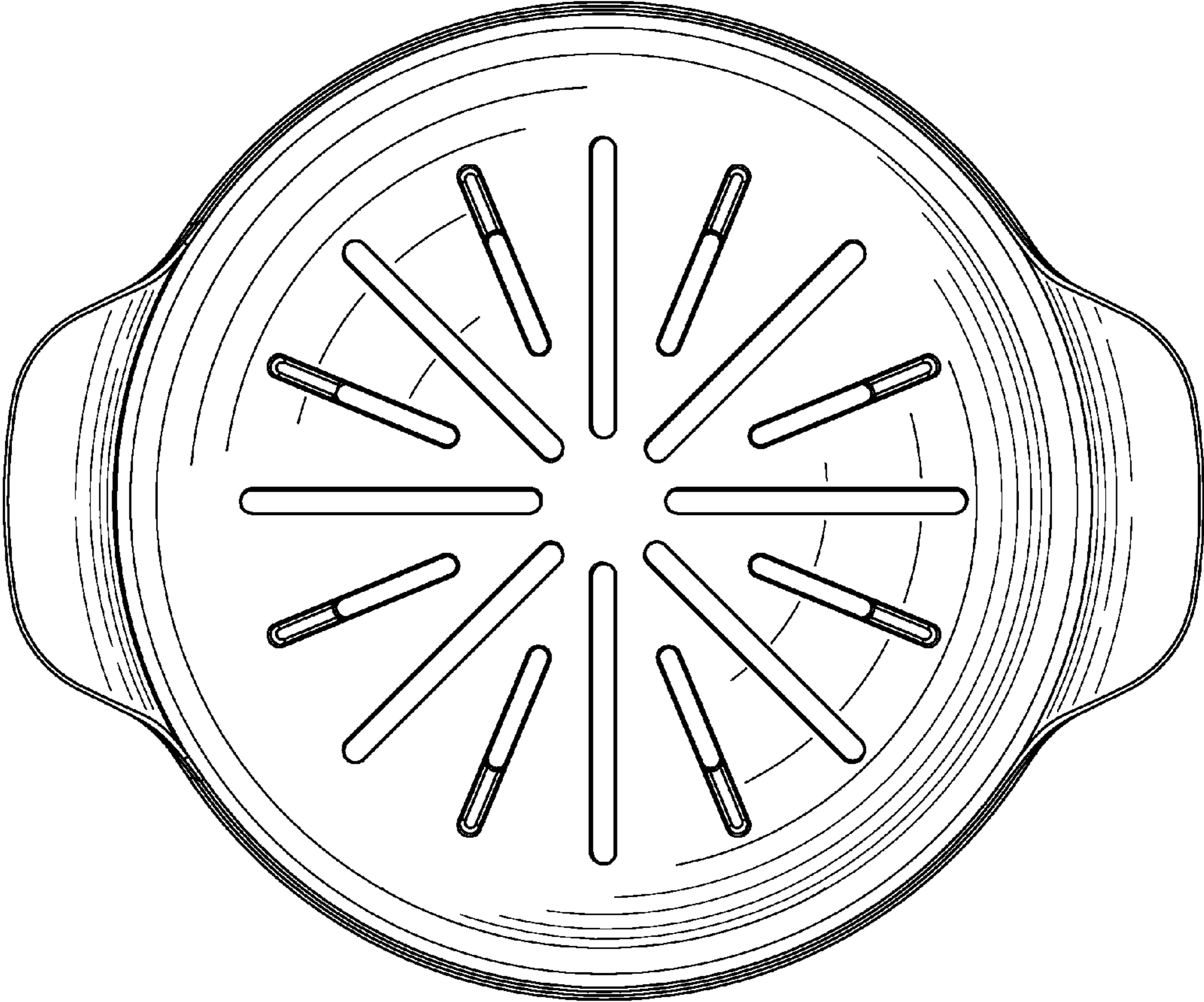


Fig. 4

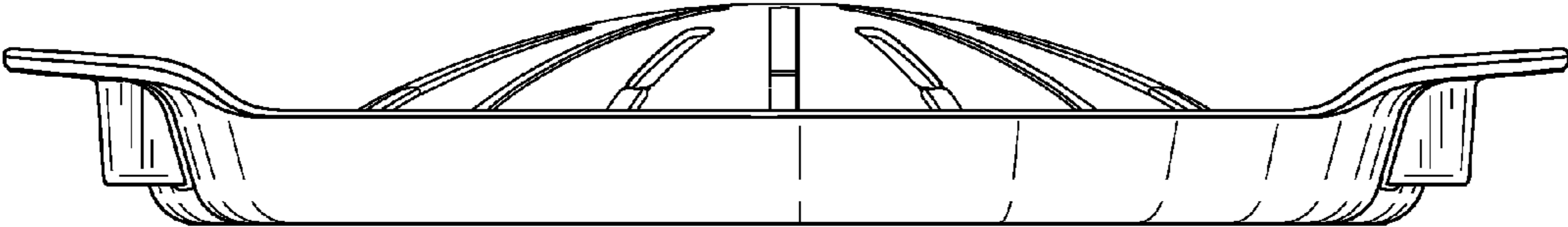


Fig. 5

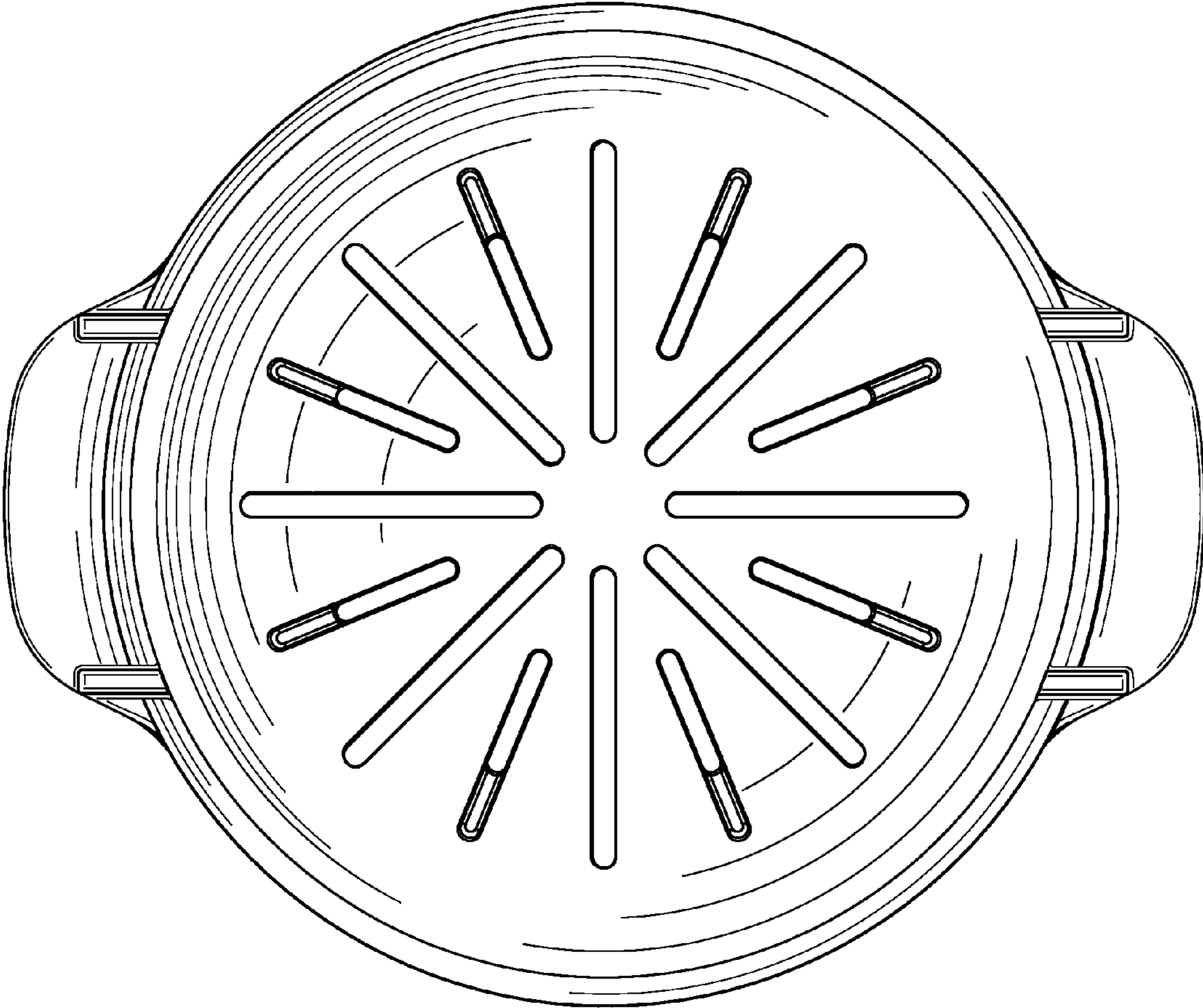


Fig. 6

