

US00D696547S

(12) **United States Design Patent**  
**Absalon et al.**

(10) **Patent No.:** **US D696,547 S**

(45) **Date of Patent:** **\*\* Dec. 31, 2013**

(54) **BEVERAGE URN**

(71) Applicant: **Schroeder Industries, Inc.**, San Antonio, TX (US)

(72) Inventors: **Deborah Absalon**, Converse, TX (US); **David Santy**, Converse, TX (US); **Jason Minica**, Schertz, TX (US)

(73) Assignee: **Schroeder Industries, Inc.**, San Antonio, TX (US)

(\*\*) Term: **14 Years**

(21) Appl. No.: **29/434,173**

(22) Filed: **Oct. 10, 2012**

(51) **LOC (9) Cl.** ..... **07-01**

(52) **U.S. Cl.**  
USPC ..... **D7/301; D7/313; D7/307; D7/308**

(58) **Field of Classification Search**  
USPC ..... **D7/300, 306-308, 311, 313, 301, 397; D15/81; 99/275, 323.3; 222/129.1, 222/144.5**

See application file for complete search history.

(56) **References Cited**

**U.S. PATENT DOCUMENTS**

D271,877 S \* 12/1983 Hoff ..... D15/81  
4,699,282 A \* 10/1987 Farrar ..... 206/459.5

D313,026 S \* 12/1990 Evans ..... D15/83  
D338,137 S \* 8/1993 Ochs ..... D7/606  
5,305,924 A \* 4/1994 Groover et al. .... 222/129.1  
D372,831 S \* 8/1996 Credle, Jr. .... D7/301  
D377,289 S \* 1/1997 Credle, Jr. .... D7/301  
D380,641 S \* 7/1997 Randle ..... D7/313  
D518,677 S \* 4/2006 Van Berlo ..... D7/306  
D519,788 S \* 5/2006 Ringuet ..... D7/606  
D622,534 S \* 8/2010 Zimmermann ..... D7/307  
D655,592 S \* 3/2012 Baumann ..... D8/70  
D676,700 S \* 2/2013 Chung et al. .... D7/307

\* cited by examiner

*Primary Examiner* — Marianne Pandozzi

(74) *Attorney, Agent, or Firm* — Jackson Walker, LLP

(57) **CLAIM**

The ornamental design for a beverage urn, as shown and described.

**DESCRIPTION**

FIG. 1 is a front view of a beverage urn showing our new design;

FIG. 2 is a top view thereof;

FIG. 3 is a left side view thereof;

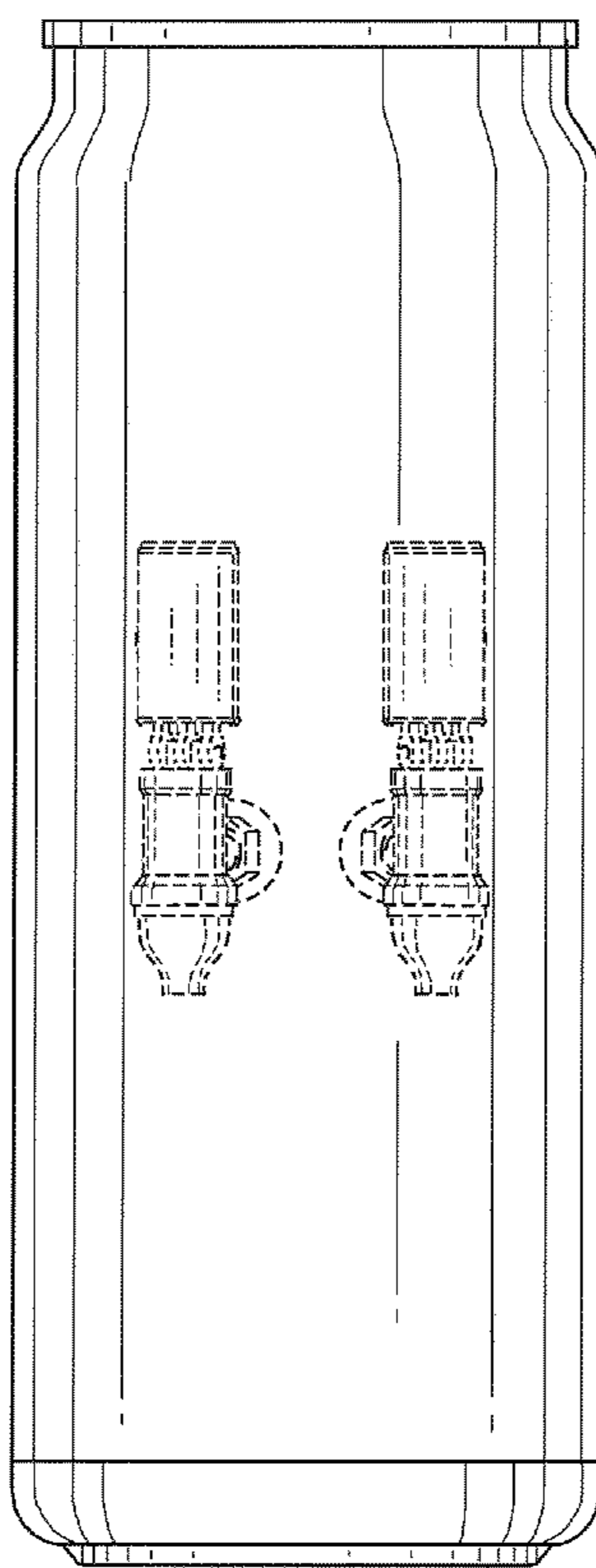
FIG. 4 is a right side view thereof;

FIG. 5 is a rear view thereof; and,

FIG. 6 is a bottom view thereof.

The lines shown in phantom are for illustrative purposes only and do not form part of the claimed invention.

**1 Claim, 4 Drawing Sheets**



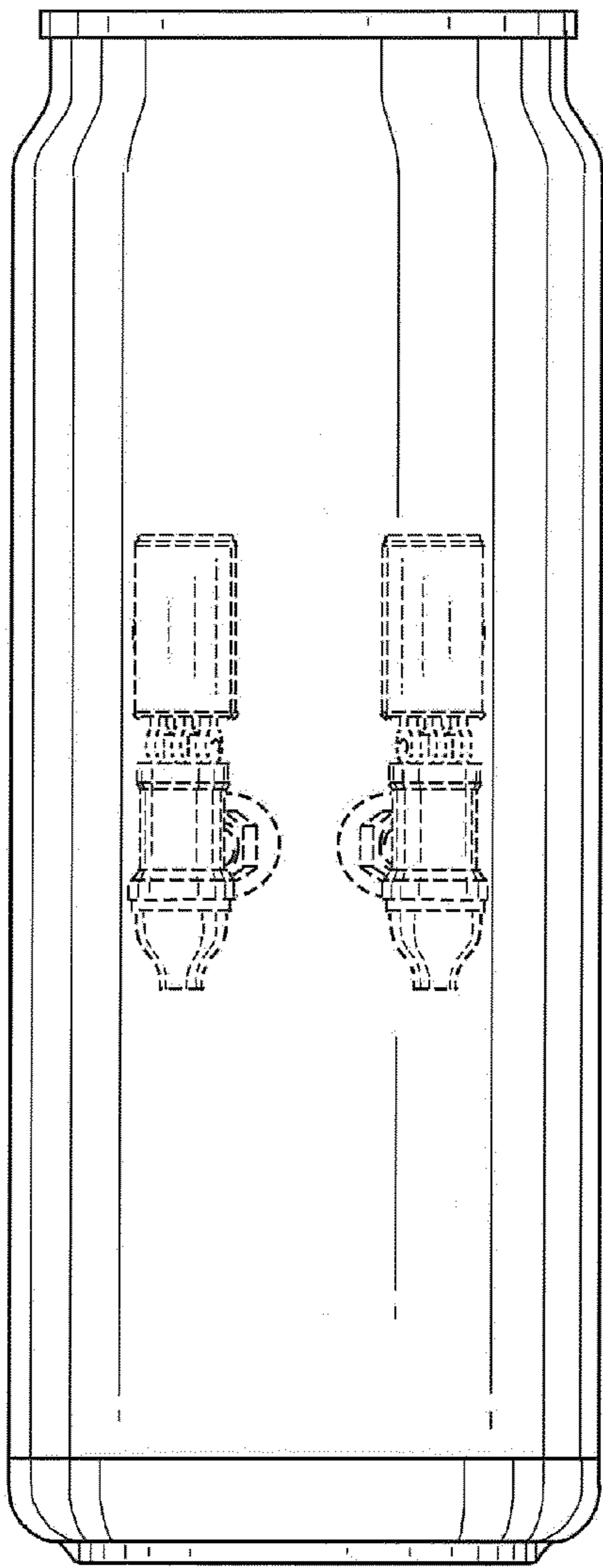


Fig. 1

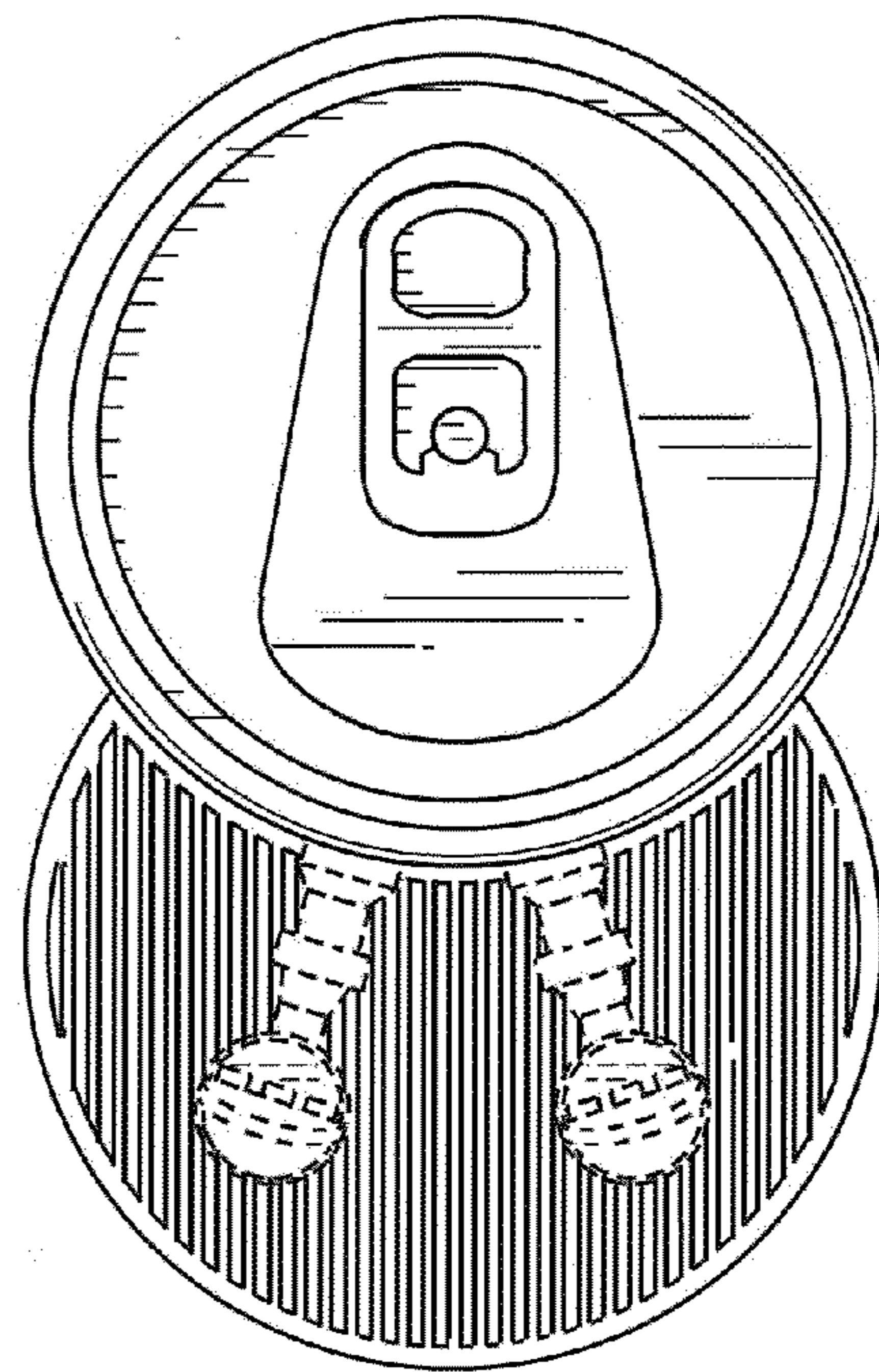


Fig. 2

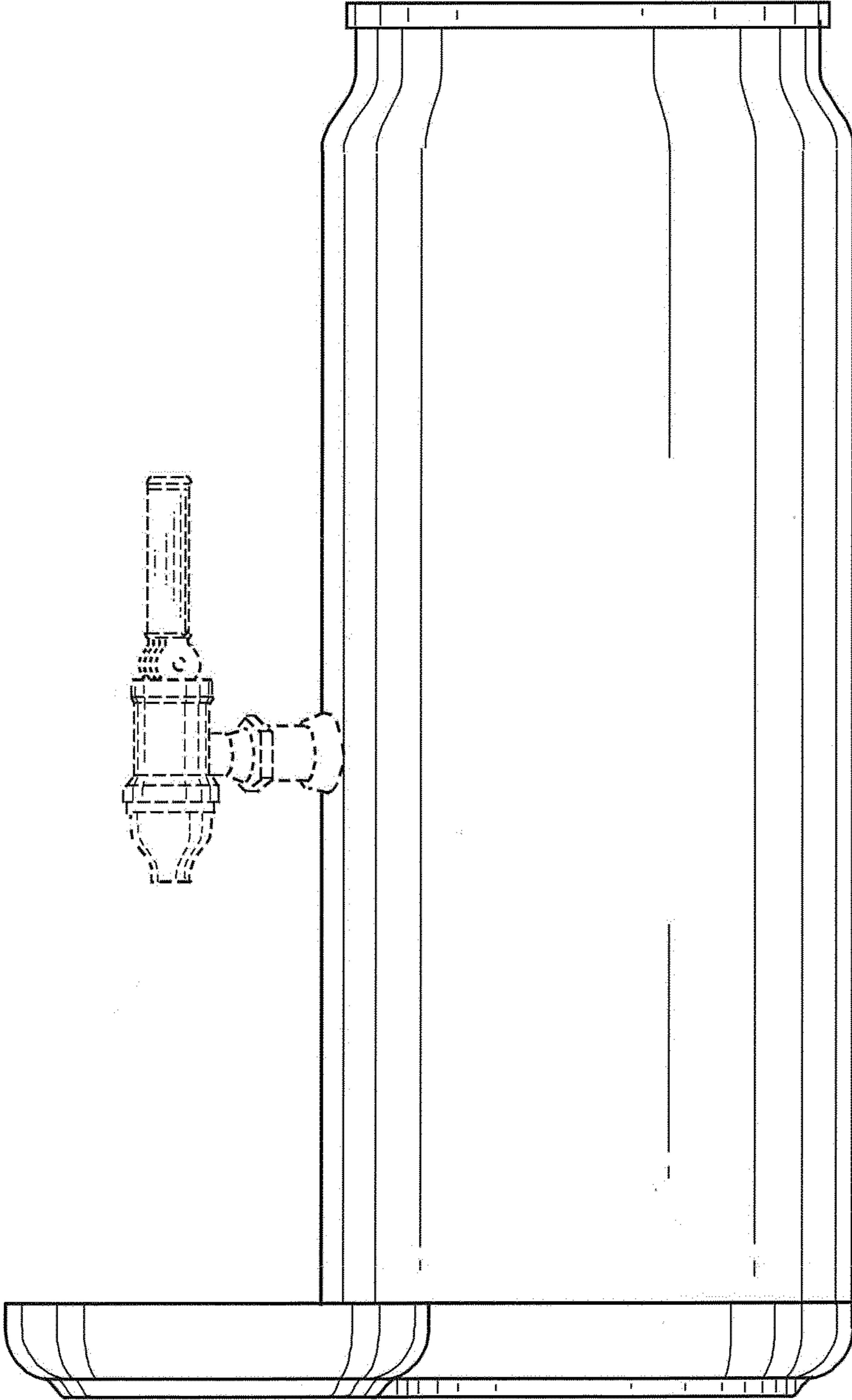


Fig. 3

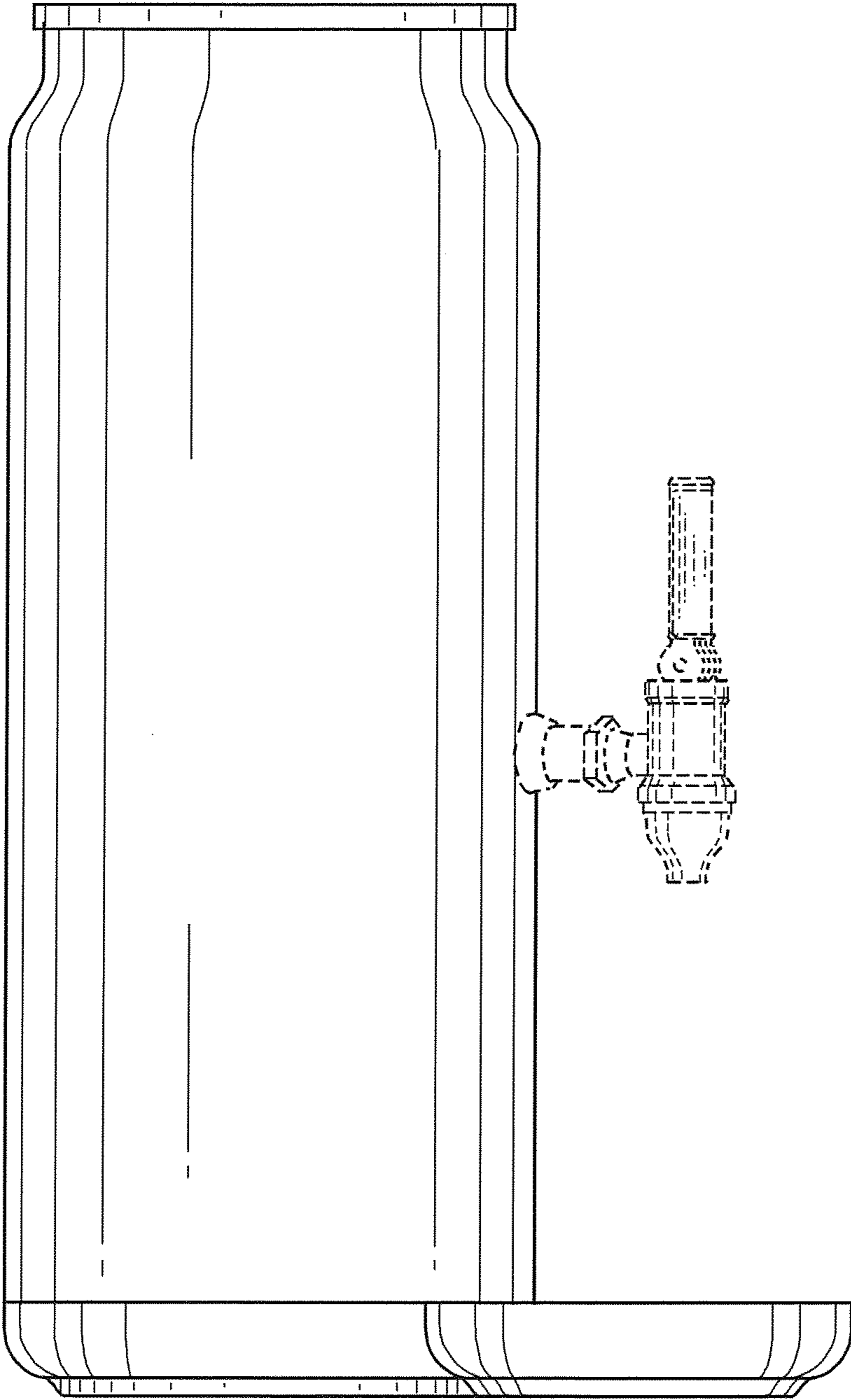
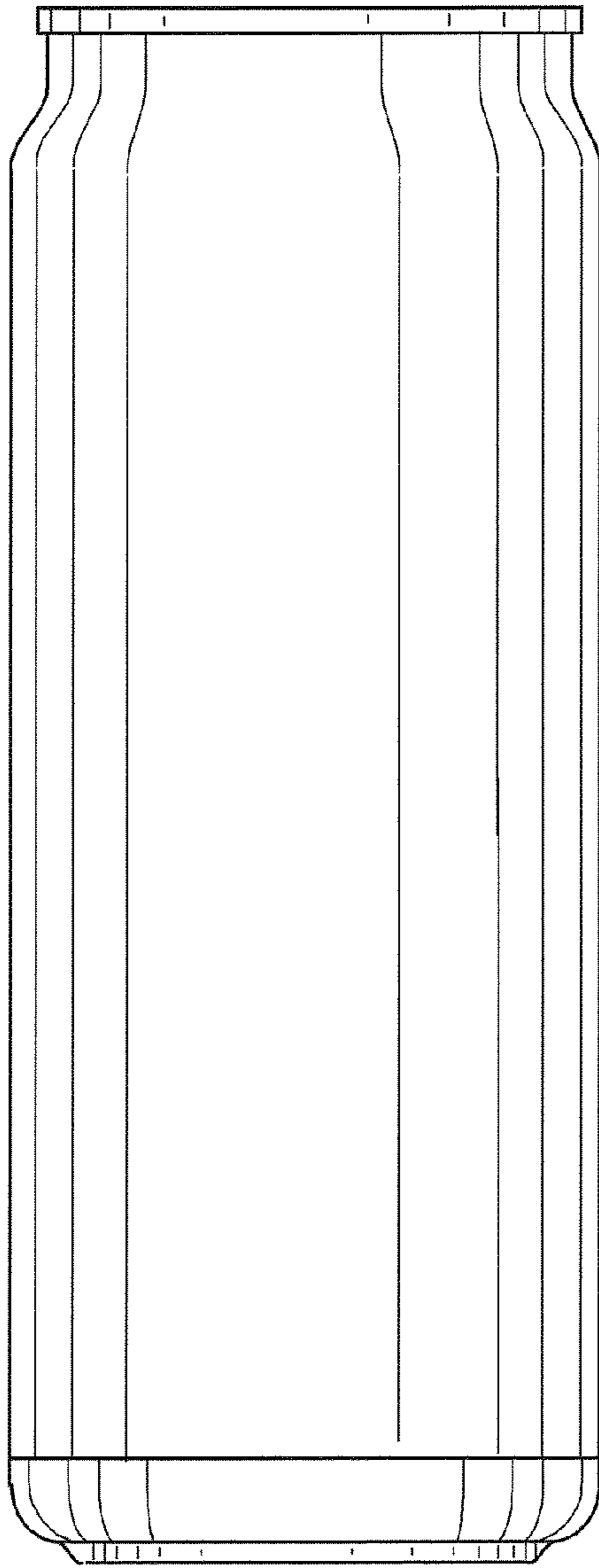
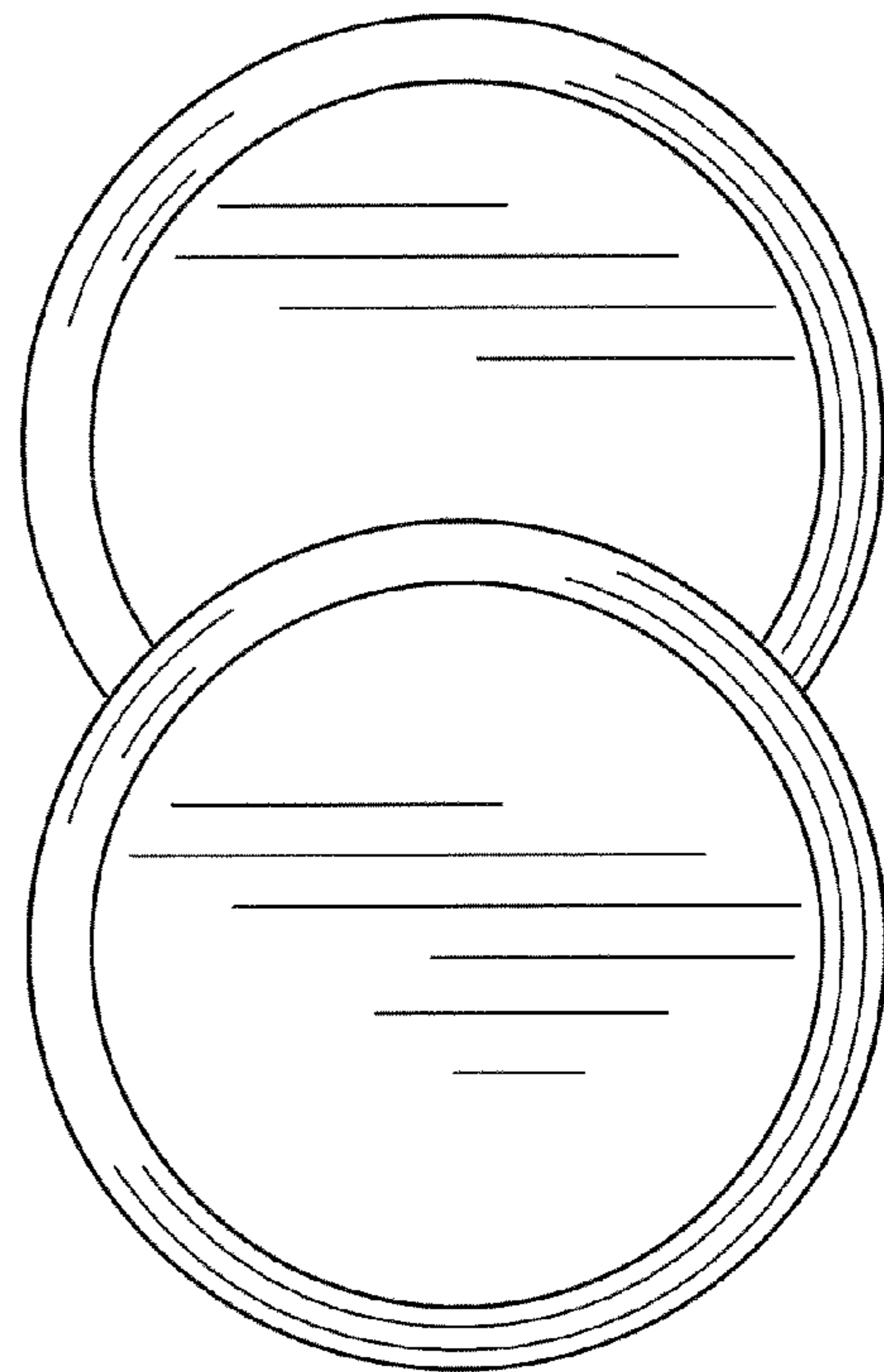


Fig. 4





*Fig. 5*



*Fig. 6*