



US00D696545S

(12) **United States Design Patent**
Pearson et al.

(10) **Patent No.:** **US D696,545 S**

(45) **Date of Patent:** **** Dec. 31, 2013**

(54) **REAR SURFACE OF A CHAIR BACK**

(56)

References Cited

(71) Applicant: **Steelcase, Inc.**, Grand Rapids, MI (US)

U.S. PATENT DOCUMENTS

(72) Inventors: **Luke Pearson**, London (GB); **Tom Lloyd**, London (GB); **Nick Carpenter**, London (GB); **James Ludwig**, East Grand Rapids, MI (US); **Bruce Smith**, Grand Rapids, MI (US)

56,718 A	7/1866	Coomes	
293,833 A	2/1884	Winchester	
398,179 A	2/1889	Parry	
538,708 A *	5/1895	Smith	297/368
2,016,953 A	10/1935	Arnold	
2,182,485 A	12/1939	Murdock	
2,365,334 A *	12/1944	De Vries	156/211
2,512,353 A	6/1950	Magaldino et al.	
2,530,924 A *	11/1950	Turner	297/452.15
D164,204 S *	8/1951	Smith	D6/370
2,648,372 A	8/1953	Smith	
2,649,147 A	8/1953	Sanford	

(73) Assignee: **Steelcase, Inc.**, Grand Rapids, MI (US)

(**) Term: **14 Years**

(Continued)

(21) Appl. No.: **29/462,029**

FOREIGN PATENT DOCUMENTS

(22) Filed: **Jul. 30, 2013**

DE	19526437 A1	1/1997
JP	2008080090 A	4/2008
JP	2008080092 A	4/2008
WO	WO-9406339 A1	3/1994

Related U.S. Application Data

OTHER PUBLICATIONS

(63) Continuation of application No. 12/454,995, filed on May 26, 2009.

Written Opinion and International Search Report Issued in connection with PCT Application No. PCT/US2009/003235 dated Jan. 19, 2010.

(51) **LOC (9) Cl.** **06-06**

(Continued)

(52) **U.S. Cl.**
USPC **D6/716.4**; D6/366

(58) **Field of Classification Search**
USPC D6/334-336, 344-353, 360-381, 388, D6/403, 491-502, 692, 708, 716, D6/716.2-716.4; 156/211; 297/16.1, 22, 297/31, 35, 217.1, 228.12, 230.1, 239, 297/256.16, 271.6, 284.1-284.7, 291, 297, 297/302.1-302.4, 368, 411.2, 297/411.27-411.29, 411.43, 423.1, 423.12, 297/440.11, 440.15, 440.24, 448.1, 451.4, 297/452.13-452.15, 452.18, 452.19, 297/452.21, 452.27, 452.29, 452.3, 452.41, 297/452.56, 452.63-452.64

Primary Examiner — Ricky Pham
(74) *Attorney, Agent, or Firm* — McDermott Will & Emery LLP

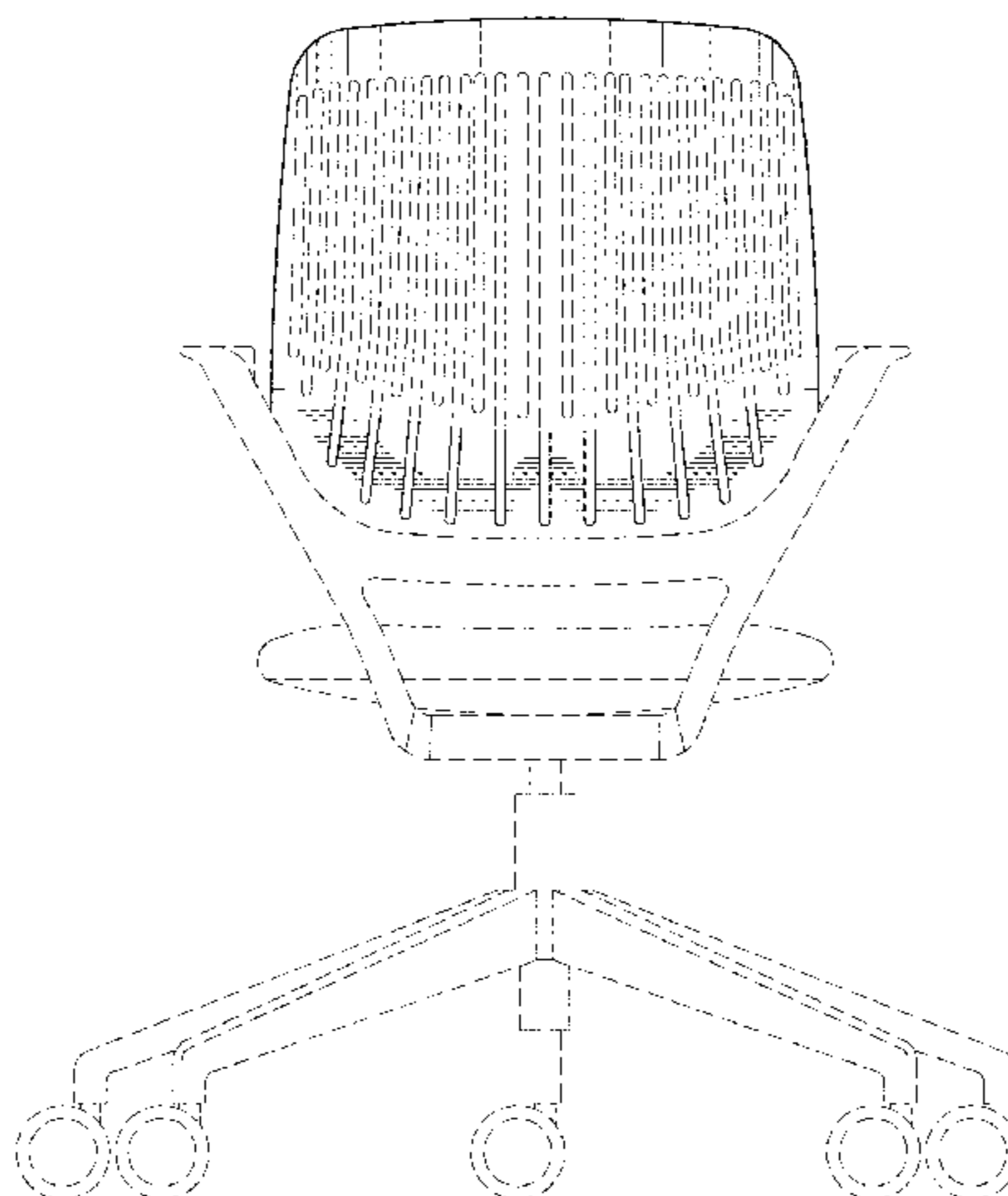
(57) **CLAIM**
We claim the ornamental design for a rear surface of a chair back, as shown and described.

DESCRIPTION

FIG. 1 is a rear view of a rear surface of a chair back according to the new design.
In the drawings, the broken lines form no part of the claimed design.

See application file for complete search history.

1 Claim, 1 Drawing Sheet



(56)

References Cited

U.S. PATENT DOCUMENTS

6,394,548 B1 5/2002 Battey et al.
 6,409,268 B1 6/2002 Cvek
 D459,923 S * 7/2002 Chu D6/502
 6,419,318 B1 7/2002 Albright
 6,422,650 B1 7/2002 Chien-Shen
 D461,079 S * 8/2002 Holbrook D6/502
 6,439,665 B1 8/2002 Cvek
 D463,174 S * 9/2002 Chu D6/500
 6,499,802 B2 12/2002 Drira
 6,511,562 B1 1/2003 Coffield
 D469,619 S 2/2003 Stewart
 D470,669 S 2/2003 Stewart
 6,523,898 B1 2/2003 Ball et al.
 6,540,950 B1 4/2003 Coffield
 6,550,866 B1 4/2003 Su
 6,619,749 B2 9/2003 Willy
 6,669,292 B2 12/2003 Koepke et al.
 6,669,301 B1 12/2003 Funk et al.
 6,688,687 B2 * 2/2004 Chu 297/284.4
 6,688,690 B2 2/2004 Watson et al.
 6,698,833 B2 3/2004 Ball et al.
 6,712,427 B1 3/2004 Bourdkane et al.
 6,715,839 B2 4/2004 Legal
 6,725,523 B2 4/2004 Chiang
 6,726,286 B2 4/2004 Stumpf et al.
 6,739,671 B2 5/2004 De Maina
 6,752,464 B1 6/2004 Tseng
 6,755,467 B1 * 6/2004 Chu 297/284.1
 6,758,528 B2 7/2004 Kawashima
 6,811,218 B2 11/2004 Deimen et al.
 6,839,950 B2 1/2005 Guillot
 6,842,959 B2 1/2005 Coffield et al.
 6,890,030 B2 5/2005 Wilkerson et al.
 6,899,398 B2 5/2005 Coffield
 D506,629 S 6/2005 Koepke et al.
 6,908,159 B2 6/2005 Prince et al.
 6,913,315 B2 * 7/2005 Ball et al. 297/284.7
 6,918,633 B2 7/2005 Forkel et al.
 D509,975 S 9/2005 Pan
 6,942,300 B2 9/2005 Numa et al.
 D510,671 S 10/2005 Wu
 6,955,402 B2 10/2005 VanDeRiet et al.
 6,966,606 B2 11/2005 Coffield
 6,969,115 B2 11/2005 Bourdkane et al.
 6,971,717 B1 * 12/2005 Rhodes 297/230.1
 6,983,997 B2 1/2006 Wilkerson et al.
 6,991,285 B1 1/2006 Hemenway
 7,032,971 B2 * 4/2006 Williams 297/284.4
 7,096,549 B2 8/2006 Coffield
 7,097,247 B2 8/2006 Battey et al.
 7,128,373 B2 10/2006 Kurtycz et al.

7,131,694 B1 11/2006 Buffa
 7,159,293 B2 1/2007 Coffield et al.
 7,216,933 B2 * 5/2007 Schmidt et al. 297/284.4
 D544,720 S * 6/2007 Berbegal Perez D6/366
 7,252,339 B2 8/2007 Owens
 7,270,378 B2 9/2007 Wilkerson et al.
 D553,376 S * 10/2007 Nakamura et al. D6/366
 7,331,633 B2 2/2008 Balensiefer et al.
 7,367,629 B2 5/2008 Kepler et al.
 D571,570 S 6/2008 Zhang
 D575,085 S * 8/2008 Su D6/502
 D575,969 S * 9/2008 Su D6/502
 D577,521 S * 9/2008 Su D6/502
 D581,708 S * 12/2008 Su D6/502
 D600,931 S * 9/2009 Pearson et al. D6/366
 D600,952 S * 9/2009 Pearson et al. D6/502
 7,604,298 B2 10/2009 Peterson et al.
 7,841,664 B2 11/2010 Holdredge et al.
 7,841,666 B2 11/2010 Schmitz et al.
 D654,291 S * 2/2012 Pearson et al. D6/500
 D654,709 S * 2/2012 Fujita D6/366
 D675,456 S * 2/2013 Sexton D6/366
 D676,254 S * 2/2013 Chen D6/366
 D677,068 S * 3/2013 Chen D6/366
 D679,107 S * 4/2013 Darrow et al. D6/366
 D680,765 S * 4/2013 Ballendat D6/366
 D683,150 S * 5/2013 Smith et al. D6/366
 D688,055 S * 8/2013 Baldanzi et al. D6/366
 D688,061 S * 8/2013 Giugiaro D6/366
 D688,497 S * 8/2013 Smith et al. D6/716
 D689,314 S * 9/2013 Smith et al. D6/716
 2002/0003371 A1 1/2002 Link
 2002/0140276 A1 * 10/2002 Funk et al. 297/452.63
 2002/0195863 A1 12/2002 Su
 2004/0245840 A1 12/2004 Tubergen et al.
 2004/0262975 A1 12/2004 Su
 2005/0093354 A1 5/2005 Ball et al.
 2005/0200189 A1 9/2005 Schultz et al.
 2006/0006715 A1 1/2006 Chadwick et al.
 2007/0035169 A1 2/2007 Sawyer
 2007/0057548 A1 3/2007 Buffa
 2007/0057549 A1 3/2007 Ball et al.
 2007/0228799 A1 10/2007 Kinoshita et al.
 2007/0257531 A1 11/2007 Mashimo
 2007/0267912 A1 11/2007 Britton et al.
 2008/0122284 A1 5/2008 Yang
 2008/0122285 A1 5/2008 Lin

OTHER PUBLICATIONS

Extended European Search Report and Preliminary Opinion, European Patent Application No. 09762841.6, Jul. 22, 2011.

* cited by examiner

