

US00D696544S

(12) **United States Design Patent**  
**Smith et al.**

(10) **Patent No.:** **US D696,544 S**  
(45) **Date of Patent:** **\*\* Dec. 31, 2013**

(54) **CHAIR**

(71) Applicant: **Steelcase Inc.**, Grand Rapids, MI (US)

(72) Inventors: **Bruce M. Smith**, East Grand Rapids, MI (US); **Glen Oliver Low**, Hamburg (DE); **James N. Ludwig**, East Grand Rapids, MI (US); **Robert J. Battey**, Middleville, MI (US); **Gordon Jay Peterson**, Rockford, MI (US)

(73) Assignee: **Steelcase Inc.**, Grand Rapids, MI (US)

(\*\*) Term: **14 Years**

(21) Appl. No.: **29/449,641**

(22) Filed: **Mar. 15, 2013**

**Related U.S. Application Data**

(63) Continuation of application No. 29/432,775, filed on Sep. 20, 2012.

(51) **LOC (9) Cl.** ..... **06-01**

(52) **U.S. Cl.**

USPC ..... **D6/716.4**

(58) **Field of Classification Search**

USPC ..... D6/334-336, 364, 365, 366, 367, 369, D6/374, 379, 380, 716, 716.1, 716.2, D6/716.3, 716.4; 297/284.4, 298, 411.27, 297/452.21, 452.29, 452.3, 452.32, 452.34, 297/452.48

See application file for complete search history.

(56) **References Cited**

**U.S. PATENT DOCUMENTS**

4,711,491 A 12/1987 Ginat  
5,725,276 A 3/1998 Ginat  
5,772,282 A 6/1998 Stumpf et al.  
5,871,258 A 2/1999 Battey et al.  
5,975,634 A 11/1999 Knoblock et al.

6,035,901 A 3/2000 Stumpf et al.  
6,059,368 A 5/2000 Stumpf et al.  
6,079,785 A 6/2000 Peterson et al.  
6,125,521 A 10/2000 Stumpf et al.  
6,220,661 B1 4/2001 Peterson  
6,364,415 B1 4/2002 Mori et al.  
6,382,719 B1 5/2002 Heidemann et al.  
6,386,634 B1 5/2002 Stumpf et al.  
6,394,546 B1 5/2002 Knoblock et al.

(Continued)

**FOREIGN PATENT DOCUMENTS**

EP 1106428 6/2001  
EP 2233043 9/2010

(Continued)

**OTHER PUBLICATIONS**

Haworth X99 Chair Brochure.

(Continued)

*Primary Examiner* — Mimoso De

(74) *Attorney, Agent, or Firm* — Price Heneveld LLP

(57)

**CLAIM**

We claim the ornamental design for the chair, as shown and described.

**DESCRIPTION**

FIG. 1 is a perspective view of a chair embodying the present invention;

FIG. 2 is a front view of the chair;

FIG. 3 is a first side view of the chair;

FIG. 4 is a second side view of the chair;

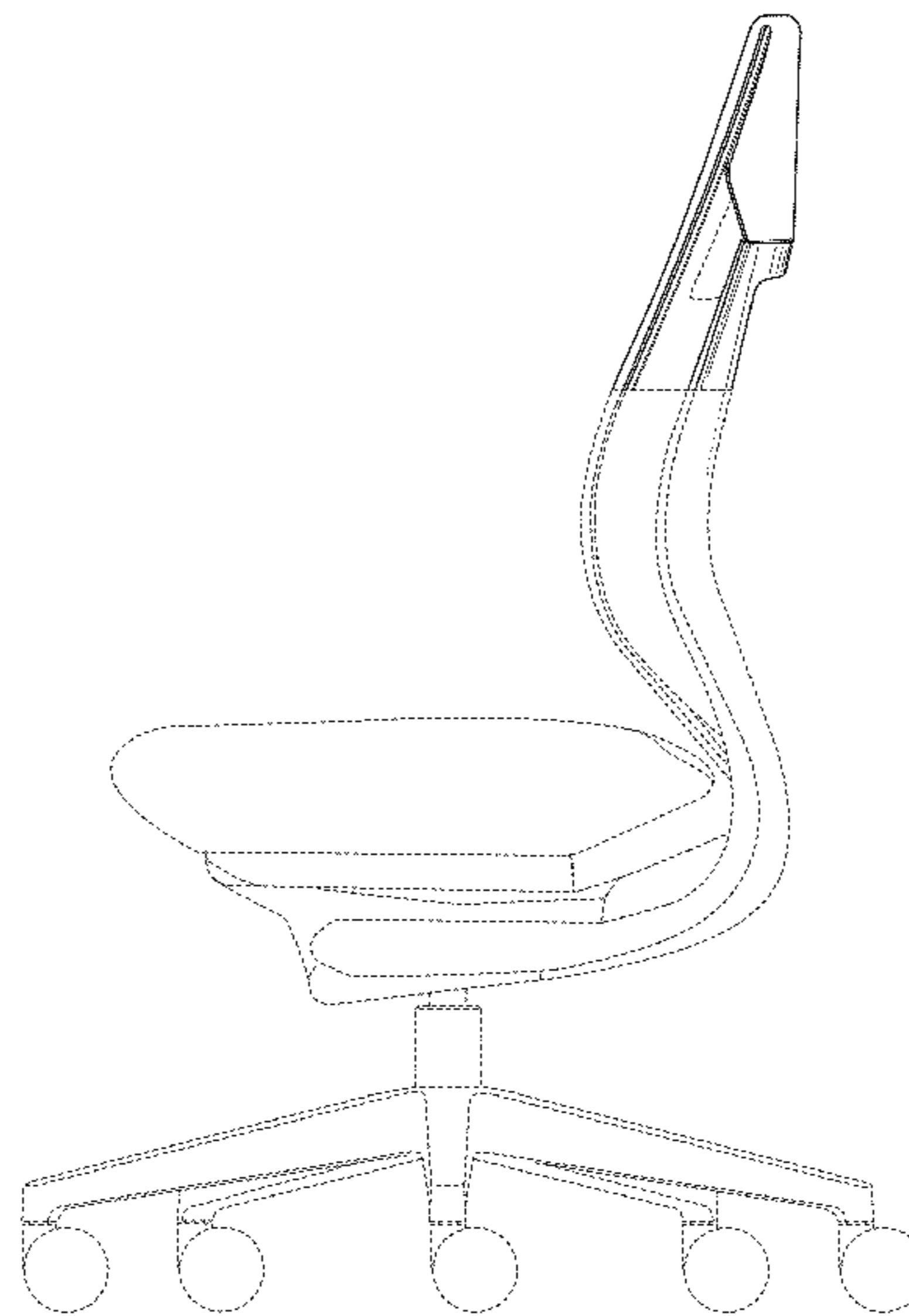
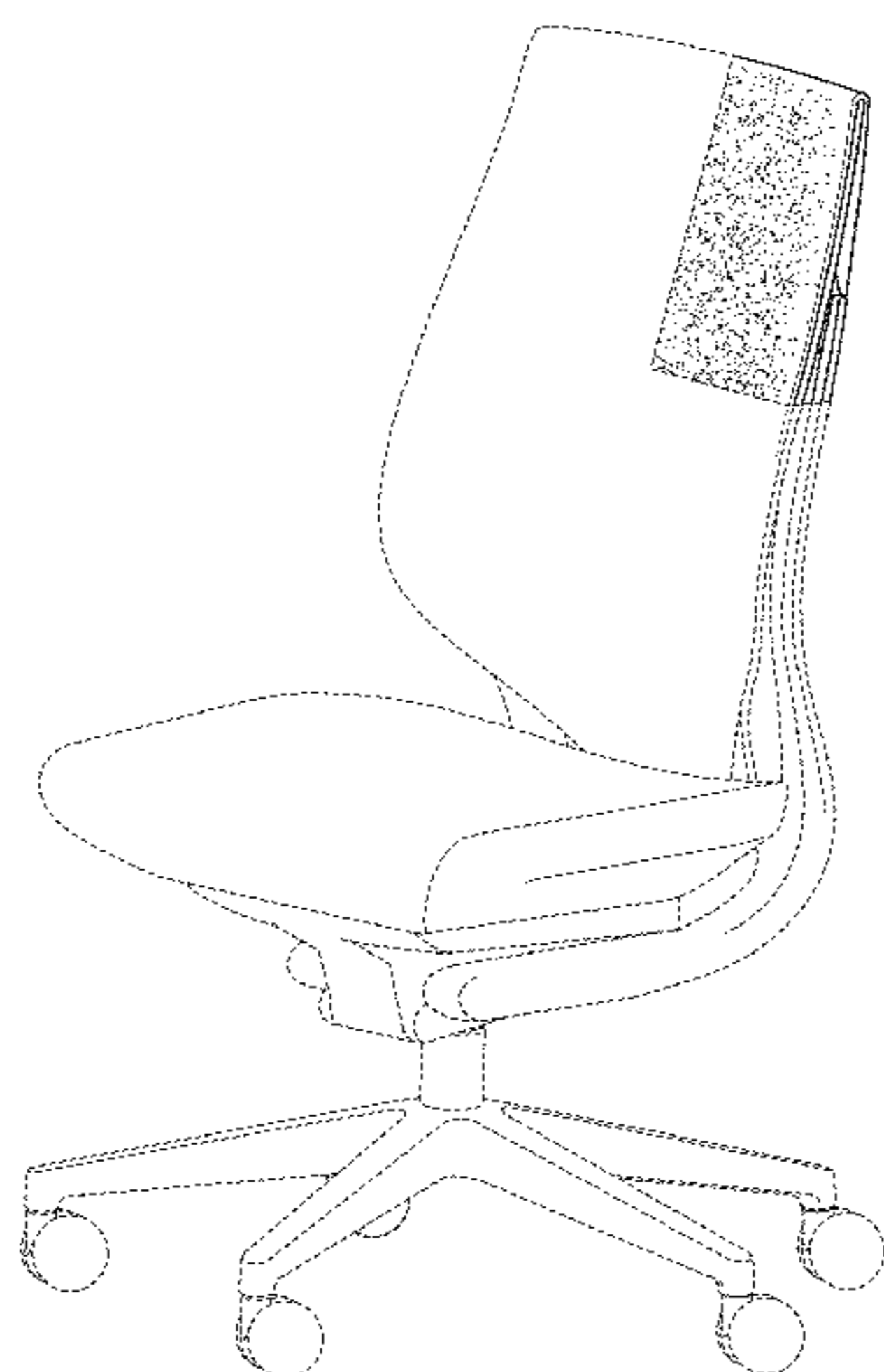
FIG. 5 is a rear view of the chair;

FIG. 6 is a top view of the chair; and,

FIG. 7 is a bottom view of the chair.

The broken lines shown in the drawing are for illustrative purposes only and form no part of the claimed design.

**1 Claim, 7 Drawing Sheets**



(56)

References Cited

U.S. PATENT DOCUMENTS

6,394,548 B1 5/2002 Battey et al.  
 6,394,549 B1 5/2002 DeKraker et al.  
 6,460,932 B1 10/2002 Kopish et al.  
 6,471,294 B1 10/2002 Dammermann et al.  
 6,499,801 B1 12/2002 Peterson et al.  
 6,508,509 B2 1/2003 Peterson  
 6,572,190 B2 6/2003 Koepke et al.  
 6,588,842 B2 7/2003 Stumpf et al.  
 6,609,755 B2 8/2003 Koepke et al.  
 6,616,228 B2 9/2003 Heidmann  
 6,644,749 B2 11/2003 VanDeRiet et al.  
 6,669,292 B2 12/2003 Koepke et al.  
 6,688,690 B2 2/2004 Watson et al.  
 6,702,390 B2 3/2004 Stumpf et al.  
 6,709,060 B1 3/2004 Su  
 6,722,741 B2 4/2004 Stumpf et al.  
 6,726,278 B1 4/2004 Albright et al.  
 6,726,286 B2 4/2004 Stumpf et al.  
 6,729,691 B2 5/2004 Koepke et al.  
 6,733,080 B2 5/2004 Stumpf et al.  
 6,758,523 B2 7/2004 VanDeRiet et al.  
 6,837,546 B2 1/2005 VanDeRiet et al.  
 6,857,704 B2 2/2005 Stenzel et al.  
 6,880,215 B2 4/2005 Peterson  
 6,913,315 B2 7/2005 Ball et al.  
 6,942,300 B2 9/2005 Numa et al.  
 6,955,402 B2 10/2005 VanDeRiet et al.  
 6,966,604 B2 11/2005 Stumpf et al.  
 6,983,997 B2 1/2006 Wilkerson et al.  
 D517,820 S \* 3/2006 Citterio ..... D6/366  
 7,014,269 B2 3/2006 Coffield et al.  
 7,066,537 B2 6/2006 Coffield et al.  
 7,131,700 B2 11/2006 Knoblock et al.  
 7,213,880 B2 5/2007 Schmitz et al.  
 7,213,886 B2 5/2007 Schmitz et al.  
 7,216,936 B2 5/2007 Peterson  
 7,249,802 B2 7/2007 Schmitz et al.  
 7,270,378 B2 9/2007 Wilkerson et al.  
 7,273,253 B2 9/2007 Deimen et al.  
 7,281,764 B2 10/2007 Thole  
 D557,027 S \* 12/2007 Hara ..... D6/366  
 D567,523 S \* 4/2008 Hara ..... D6/366  
 7,367,622 B2 5/2008 Roslund et al.  
 7,419,222 B2 9/2008 Schmitz et al.  
 7,425,037 B2 9/2008 Schmitz et al.  
 7,425,039 B2 9/2008 Lin  
 7,427,105 B2 9/2008 Knoblock et al.  
 7,434,879 B2 10/2008 Ueda et al.  
 7,500,718 B2 3/2009 Fookes  
 7,549,704 B1 6/2009 Chou et al.

D597,329 S \* 8/2009 Tanaka et al. .... D6/366  
 7,594,700 B2 9/2009 Stumpf et al.  
 7,604,298 B2 10/2009 Peterson et al.  
 7,625,045 B2 12/2009 Hatcher et al.  
 D613,087 S \* 4/2010 Fujita ..... D6/366  
 D613,088 S \* 4/2010 Fujita ..... D6/366  
 7,798,573 B2 9/2010 Pennington et al.  
 7,806,481 B2 10/2010 Eberlein  
 7,832,803 B2 11/2010 Cassaday  
 7,837,272 B2 11/2010 Masunaga et al.  
 7,841,666 B2 11/2010 Schmitz et al.  
 7,857,388 B2 12/2010 Bedford et al.  
 7,887,135 B2 2/2011 Oda  
 7,922,248 B2 4/2011 Aldrich et al.  
 8,029,066 B2 10/2011 Su  
 D654,710 S \* 2/2012 Fujita ..... D6/366  
 D654,711 S \* 2/2012 Fujita ..... D6/366  
 D655,523 S \* 3/2012 Neil ..... D6/366  
 D656,329 S \* 3/2012 Nakamura et al. .... D6/366  
 D661,117 S \* 6/2012 Tanaka et al. .... D6/366  
 D662,330 S \* 6/2012 Tanaka et al. .... D6/366  
 D663,129 S \* 7/2012 Greutmann ..... D6/366  
 D670,927 S \* 11/2012 Hurford ..... D6/366  
 D679,107 S \* 4/2013 Darrow et al. .... D6/366  
 D683,150 S \* 5/2013 Smith et al. .... D6/366  
 D683,151 S \* 5/2013 Smith et al. .... D6/366  
 2002/0003368 A1 1/2002 VanDeRiet et al.  
 2003/0047980 A1 3/2003 Vassallo  
 2004/0000805 A1 1/2004 VanDeRiet et al.  
 2004/0155503 A1 8/2004 Stumpf et al.  
 2005/0052061 A1 3/2005 Deimen et al.  
 2005/0062323 A1 3/2005 Dicks  
 2008/0122284 A1 5/2008 Yang  
 2010/0007190 A1 1/2010 Johnson et al.  
 2010/0237679 A1 9/2010 Tsukiji et al.  
 2010/0244521 A1 9/2010 Ueda  
 2010/0276978 A1 11/2010 Furuta et al.  
 2011/0012395 A1 1/2011 Roslund et al.  
 2011/0198907 A1 8/2011 Masunaga et al.

FOREIGN PATENT DOCUMENTS

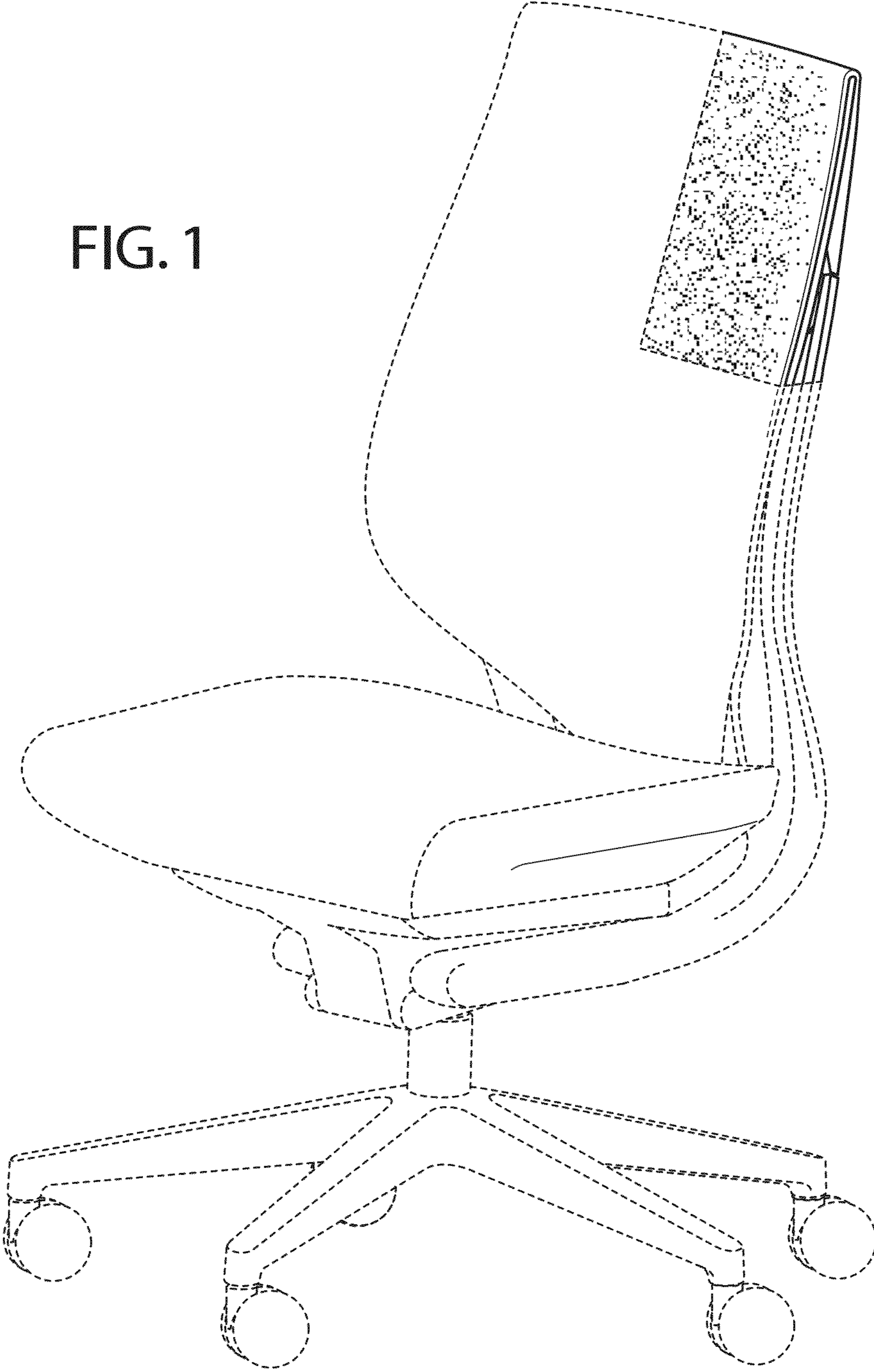
JP 2005168746 6/2005  
 JP 2012135490 7/2012  
 JP 2012135491 7/2012  
 JP 2012135492 7/2012

OTHER PUBLICATIONS

Werndl #1 Brochure.  
 Steelcase Please Chair Brochure.

\* cited by examiner

FIG. 1





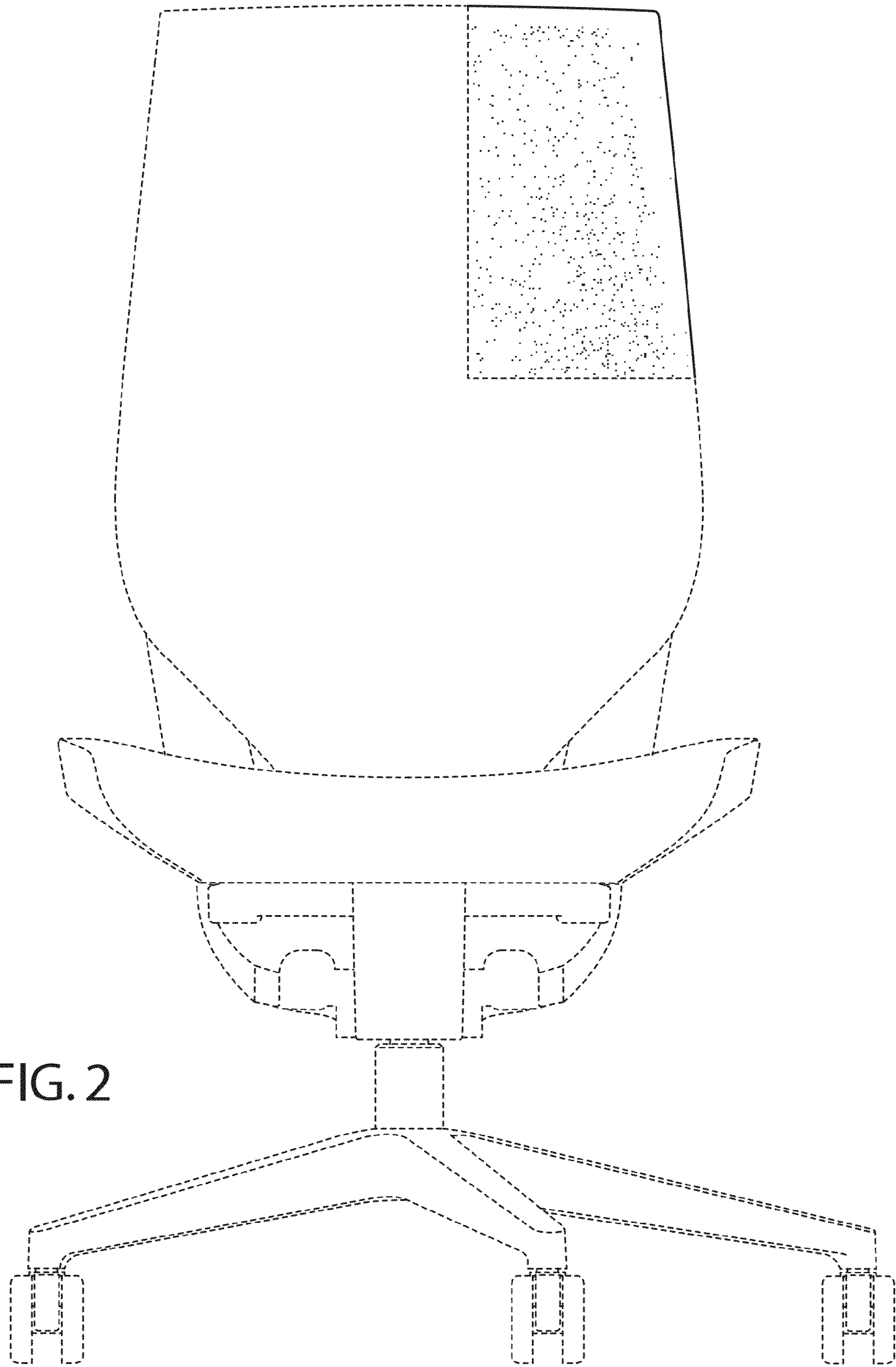
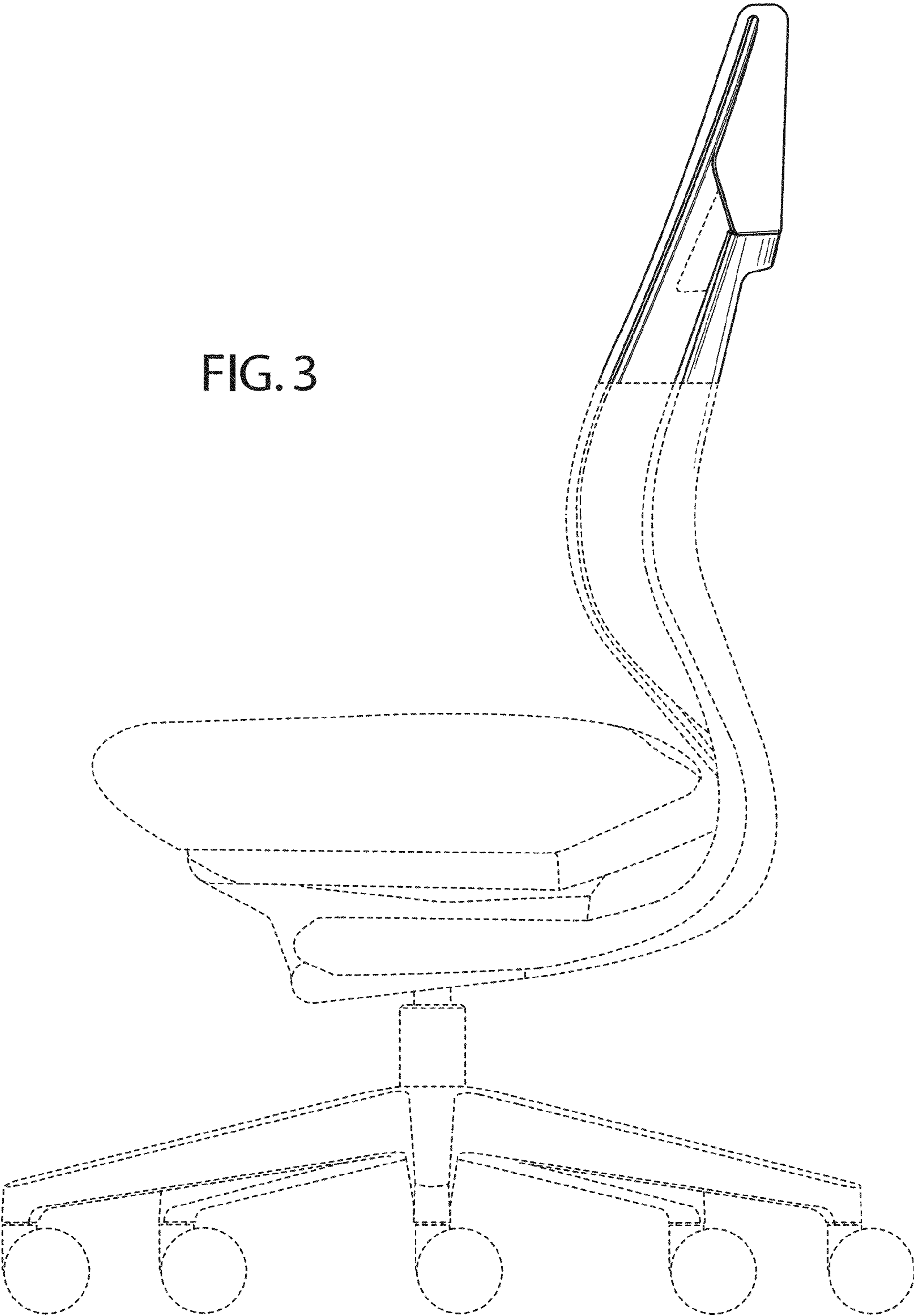


FIG. 3



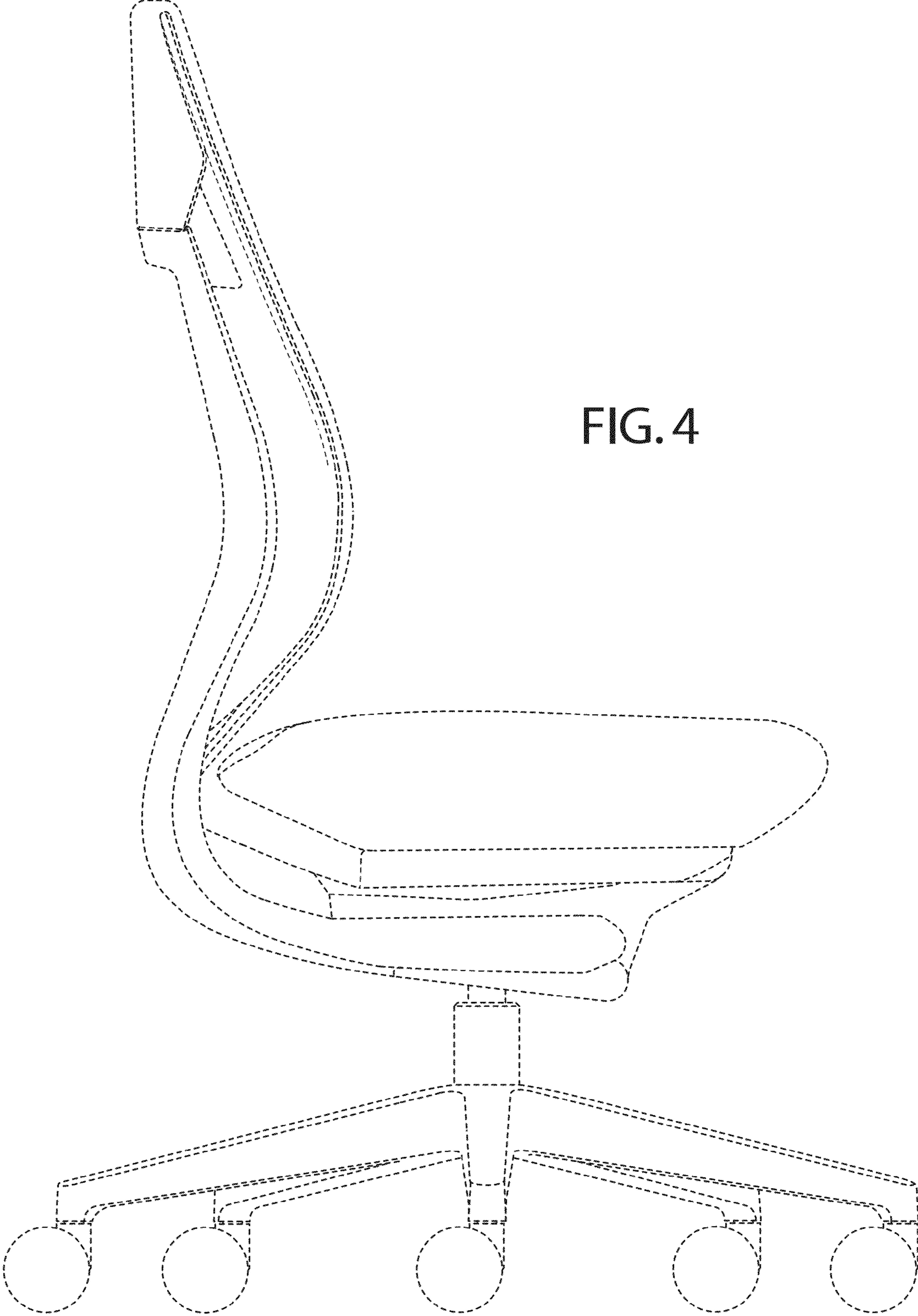


FIG. 4

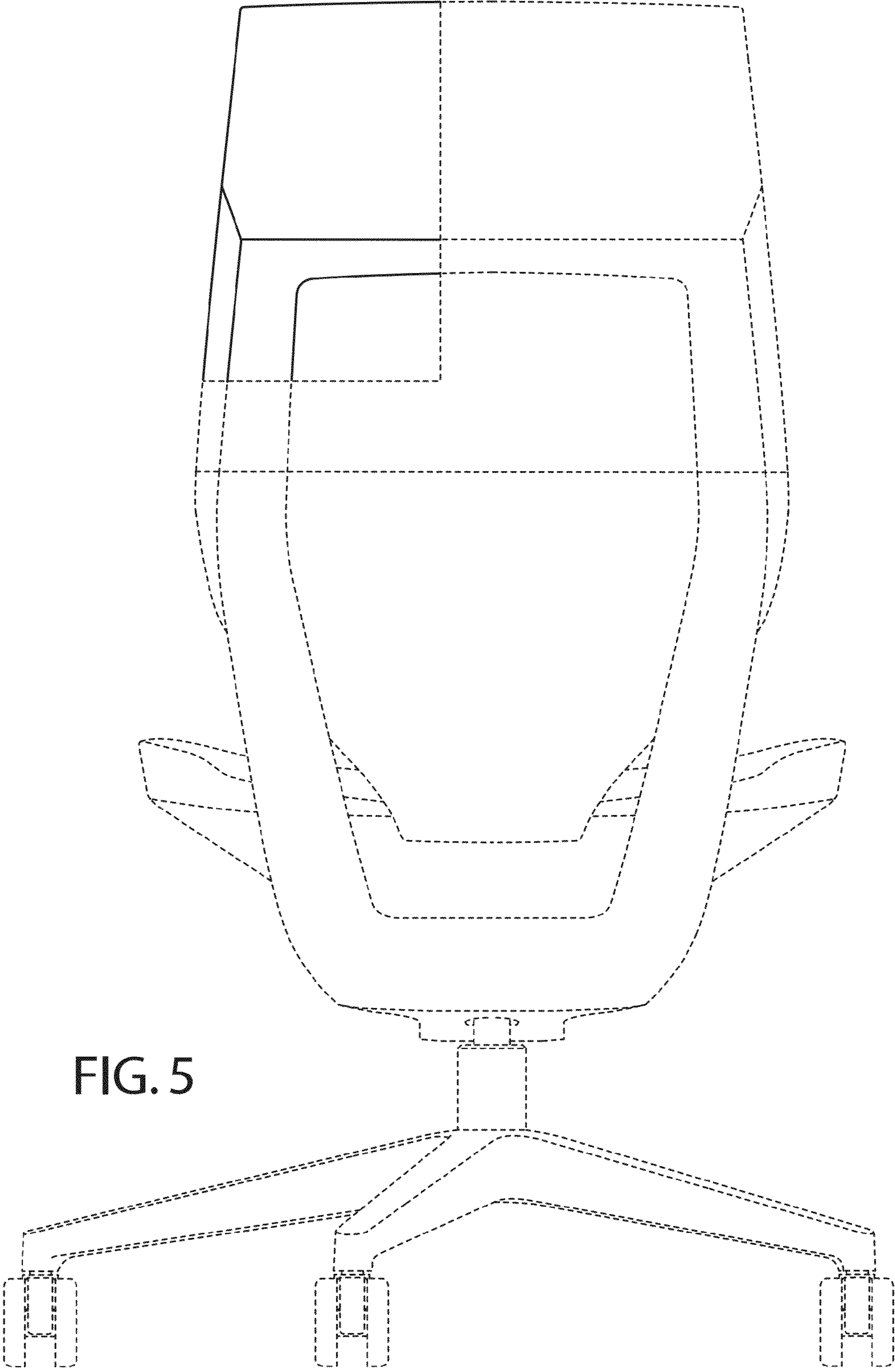


FIG. 5

FIG. 6

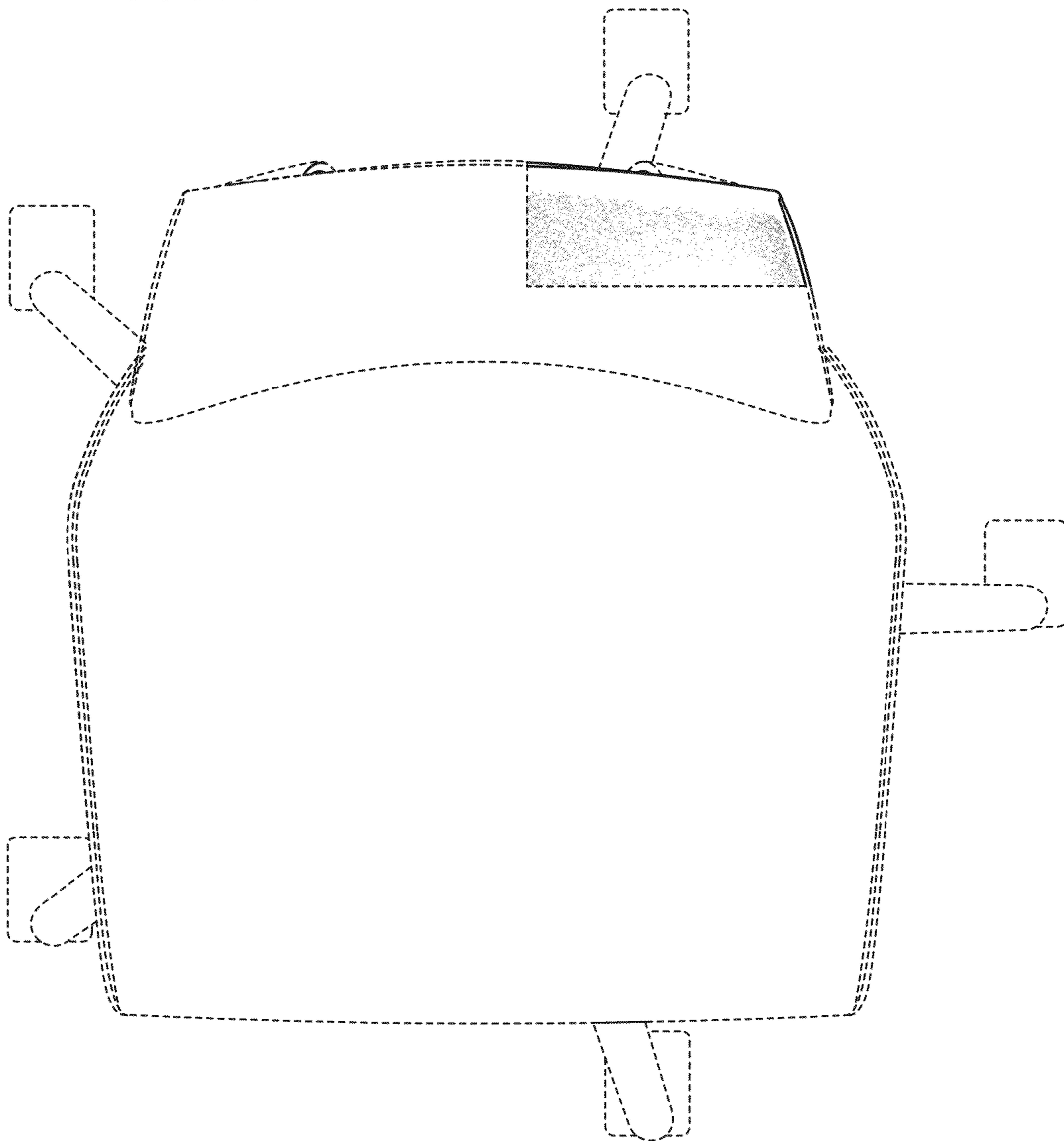




FIG. 7

