

US00D696543S

(12) **United States Design Patent**  
**Shyu**

(10) **Patent No.:** **US D696,543 S**

(45) **Date of Patent:** **\*\* Dec. 31, 2013**

(54) **FURNITURE LEG**

(76) **Inventor:** **Chuan-Yuan Shyu**, Rancho Cucamonga, CA (US)

(\*\*) **Term:** **14 Years**

(21) **Appl. No.:** **29/421,379**

(22) **Filed:** **Jul. 16, 2012**

(51) **LOC (9) Cl.** ..... **06-06**

(52) **U.S. Cl.**  
USPC ..... **D6/709.21**

(58) **Field of Classification Search**

USPC ..... D6/656.13, 656.16, 656.17, 709.2,  
D6/709.21, 653.14, 653.21, 654.14,  
D6/654.21, 655.14, 655.21; 108/153.1,  
108/156, 161, 50.01, 50.02, 144.11, 146,  
108/147.15, 147.19, 147.21, 130, 129;  
248/188, 188.1, 188.7

See application file for complete search history.

(56) **References Cited**

**U.S. PATENT DOCUMENTS**

3,357,729 A \* 12/1967 Krueger ..... 403/85  
5,636,578 A \* 6/1997 Rizzi ..... 108/129  
D512,589 S \* 12/2005 Montague, III ..... D6/499  
D513,140 S \* 12/2005 Strong ..... D6/499  
D515,852 S \* 2/2006 Strong ..... D6/495

D516,344 S \* 3/2006 Cox ..... D6/495  
2002/0148394 A1 \* 10/2002 Strong ..... 108/147.21  
2003/0233968 A1 \* 12/2003 Strong et al. .... 108/132

\* cited by examiner

*Primary Examiner* — Janice Seeger

(74) *Attorney, Agent, or Firm* — Raymond Y. Chan; David and Raymond Patent Firm

(57) **CLAIM**

The ornamental design for a furniture leg, as shown and described.

**DESCRIPTION**

FIG. 1 is a perspective view of furniture leg showing my new design.

FIG. 2 is a left view thereof.

FIG. 3 is a right view thereof.

FIG. 4 is a front end view thereof.

FIG. 5 is a rear end view thereof.

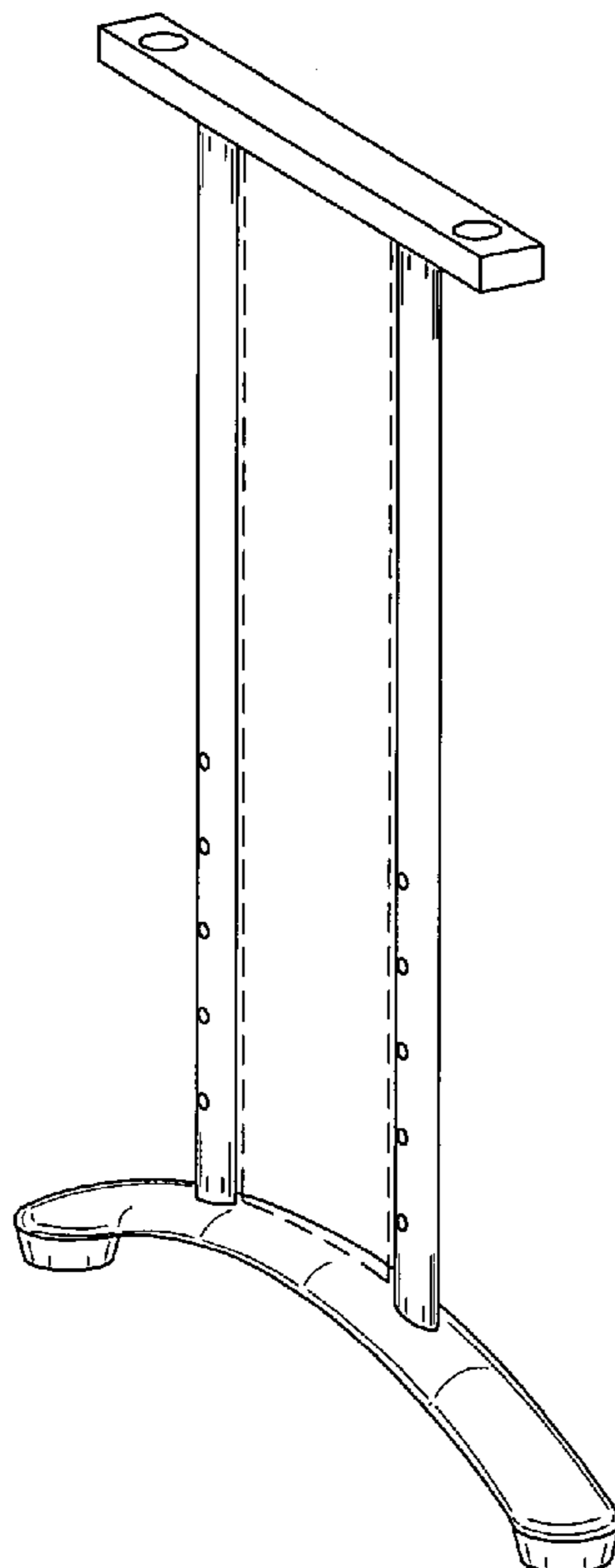
FIG. 6 is a top view thereof.

FIG. 7 is a bottom view thereof; and,

FIG. 8 is a perspective view of the new design thereof which is in use with a computer desk.

It is understood that the broken lines in the drawing are for illustrative purposes only and forms no part of the claimed design.

**1 Claim, 8 Drawing Sheets**



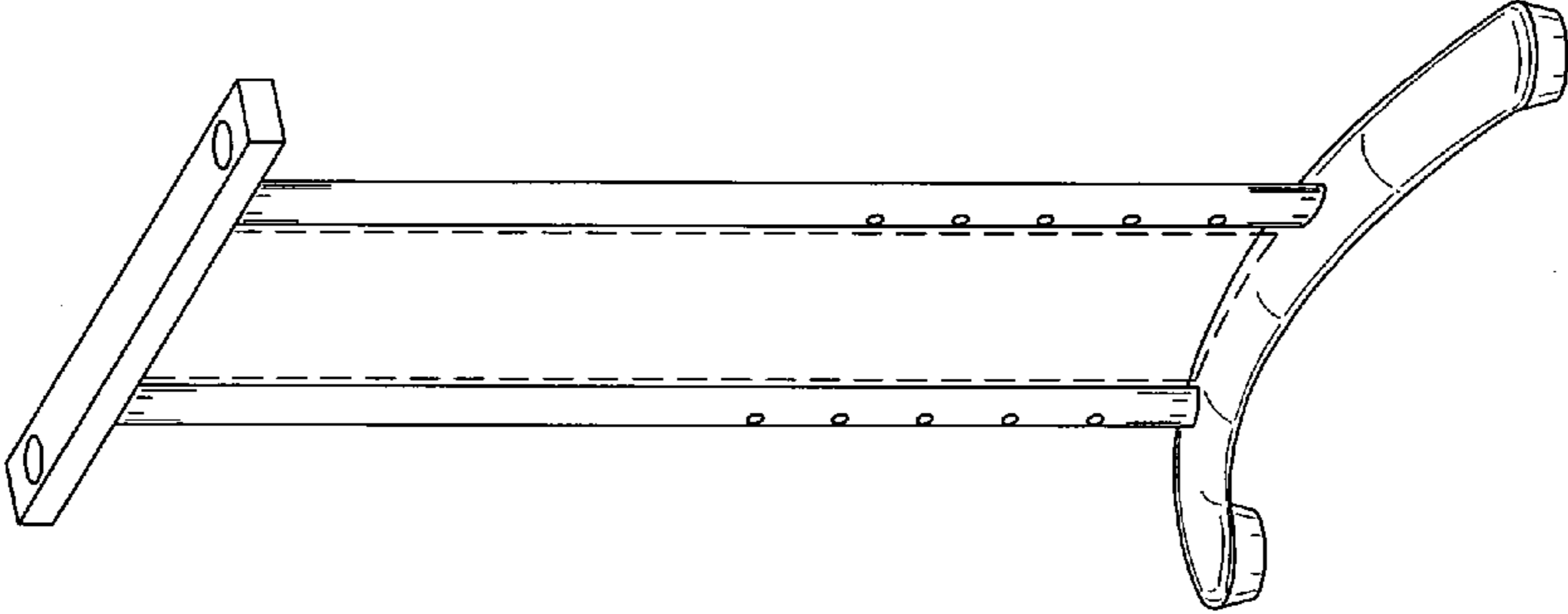


FIG.1

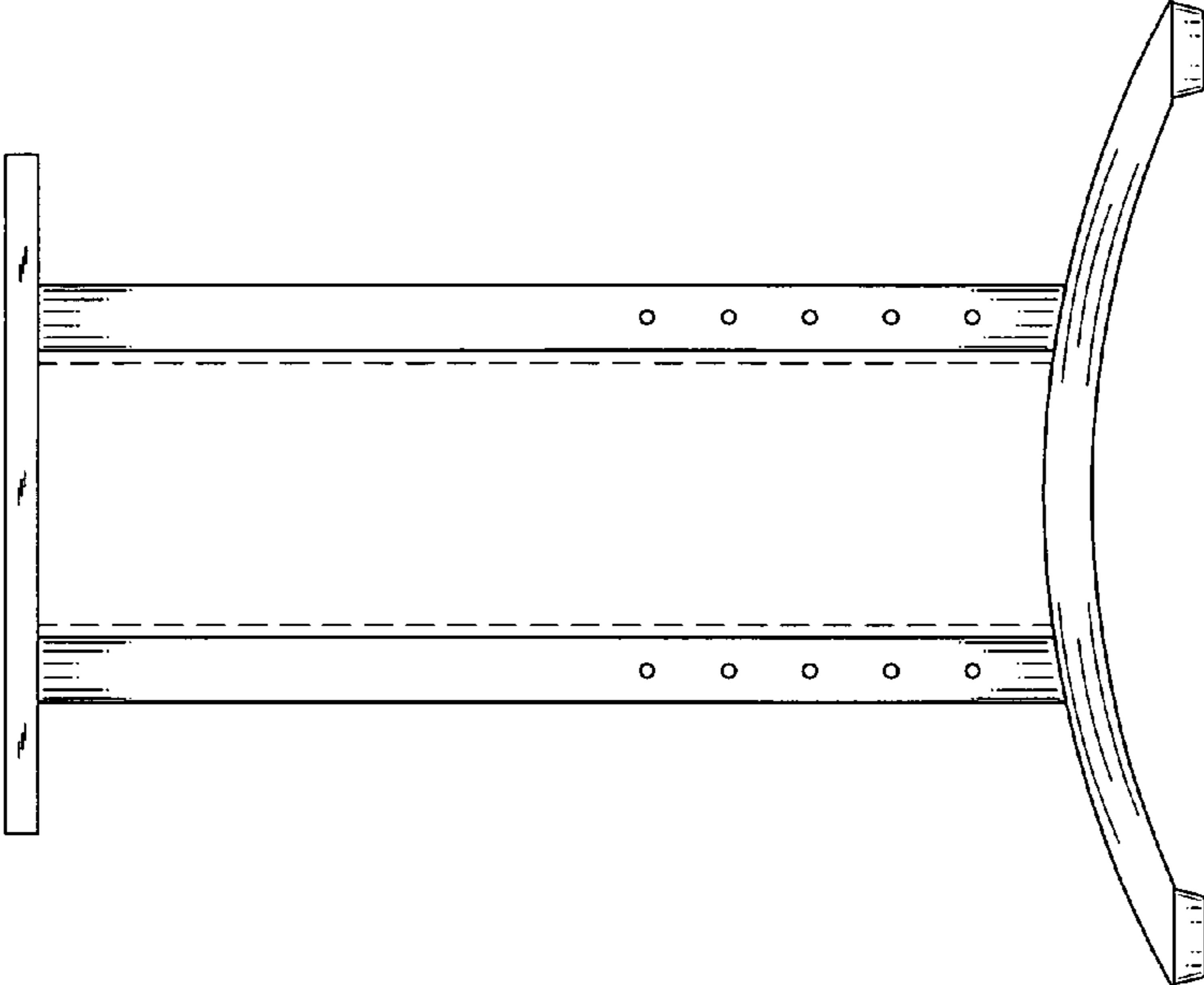


FIG.2

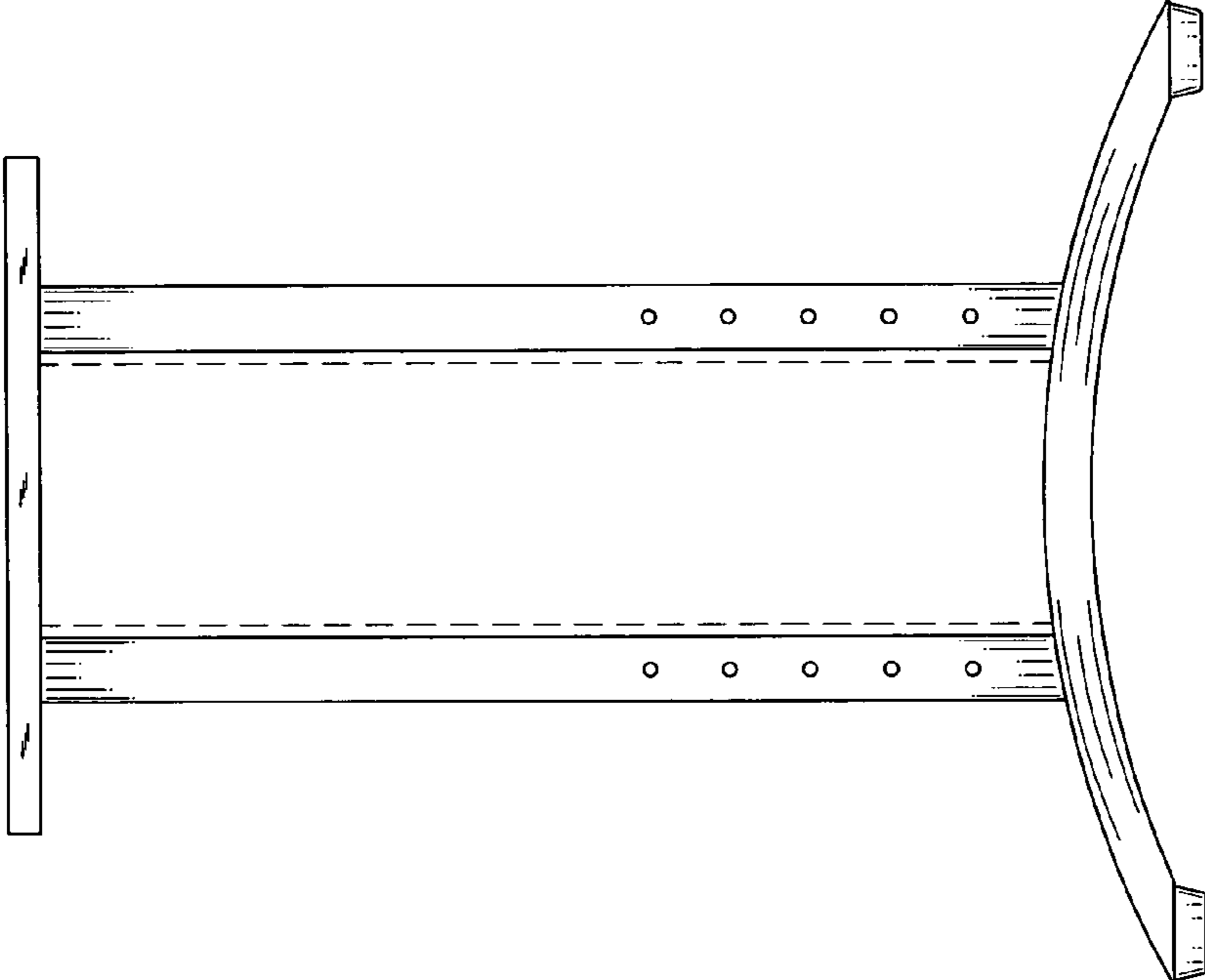


FIG.3

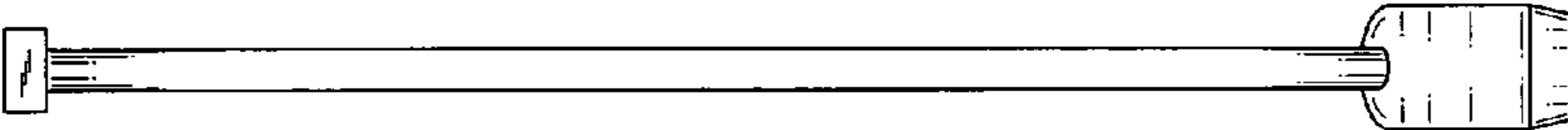


FIG.4

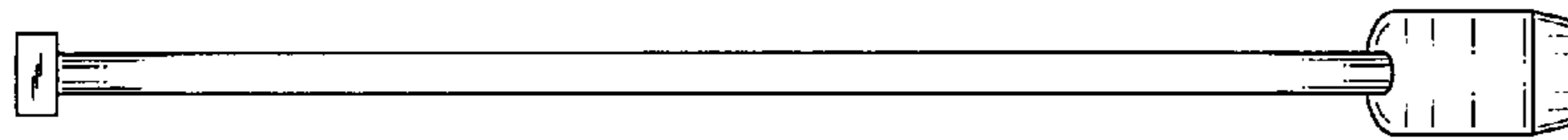


FIG. 5

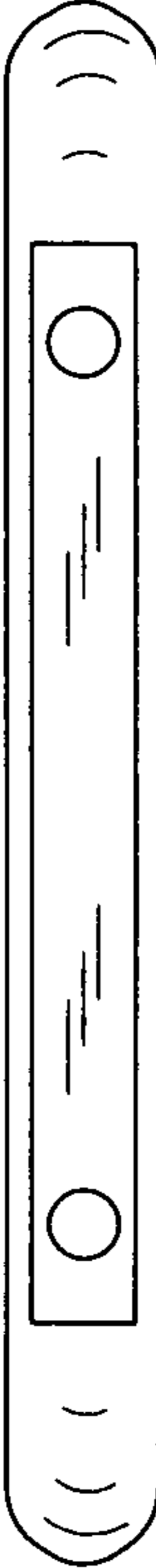


FIG. 6

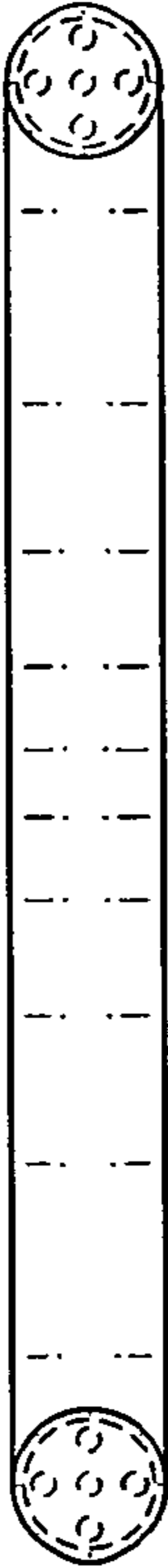


FIG. 7



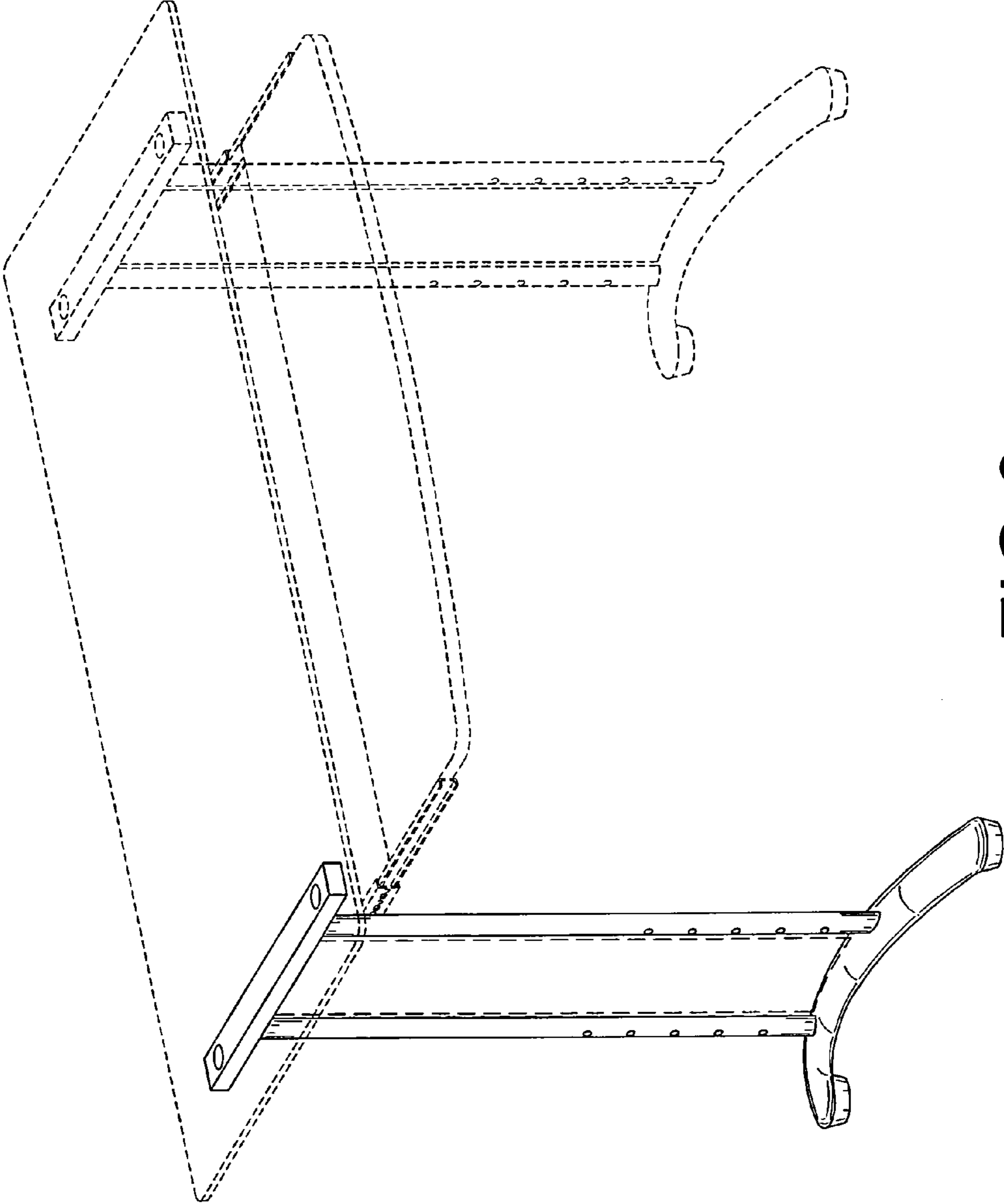


FIG. 8