



US00D696541S

(12) **United States Design Patent**
Puksta

(10) **Patent No.:** **US D696,541 S**
(45) **Date of Patent:** **** Dec. 31, 2013**

- (54) **SLAT-WALL SHELF COVER**
- (75) Inventor: **Frederick P. Puksta**, Keene, NH (US)
- (73) Assignee: **Crown Point Cabinetry Corp.**,
Claremont, NH (US)
- (**) Term: **14 Years**
- (21) Appl. No.: **29/402,654**
- (22) Filed: **Sep. 26, 2011**
- (51) **LOC (9) Cl.** **06-04**
- (52) **U.S. Cl.**
USPC **D6/706**
- (58) **Field of Classification Search**
USPC D6/396, 402, 442-444, 447, 480-489,
D6/574, 580, 509-511, 320-324, 411, 427,
D6/428, 627, 705, 513; D23/270-273,
D23/284-287, 303, 308; D24/234; 52/36.2,
52/782.23; 144/346; 312/140.1-140.4;
211/88.03, 90.01, 90.03, 126.1, 133.5,
211/134, 13.1, 42, 71.01, 86.01, 88.01,
211/153; 99/422; 434/403; 429/450, 416,
429/403; D19/92; D7/698, 554.3, 55;
248/95, 100, 249, 235; 229/169;
180/68.5; 108/152
See application file for complete search history.

4,615,955 A *	10/1986	Amakawa et al.	429/416
D300,791 S *	4/1989	Osvold	D6/511
4,855,194 A *	8/1989	Wright	429/450
D318,390 S *	7/1991	Murray	D6/513
D328,680 S *	8/1992	Zapf	D6/511
5,170,723 A *	12/1992	Lewkowicz	108/152
5,458,301 A *	10/1995	Cournoyer	248/95
D376,737 S *	12/1996	Hecker	D7/698

(Continued)

Primary Examiner — Cathron Brooks
Assistant Examiner — Sydney R Buffalow
(74) *Attorney, Agent, or Firm* — Michael J. Weins; Jeffrey E. Semprebon

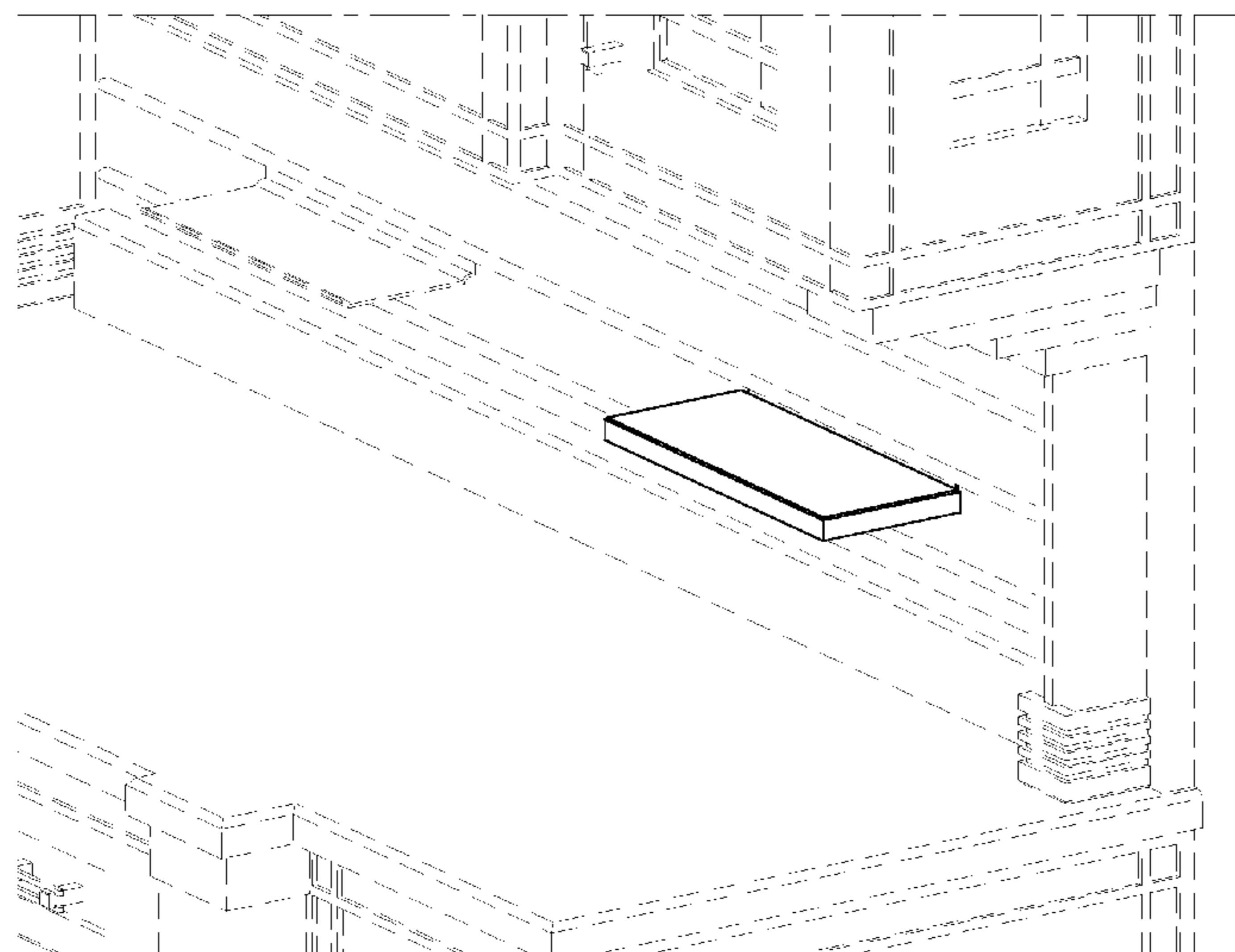
(57) **CLAIM**
The ornamental design for a slat-wall shelf cover, as is shown and described.

DESCRIPTION

FIG. 1 is a perspective view showing a slat-wall shelf cover of my new design when resting atop a slat-wall shelf so as to form a shelf in a cabinet environment.
FIG. 2 is an upper perspective view thereof when removed from the slat-wall shelf shown in FIG. 1.
FIG. 3 is a lower perspective view of thereof when resting atop a slat-wall shelf.
FIG. 4 is a front elevation view thereof. The rear elevation view is not visible when the shelf cover is in use.
FIG. 5 is a right side elevation view thereof. The left side is a mirror image of the right side.
FIG. 6 is a top plan view thereof.
FIG. 7 is a bottom plan view thereof, shown when the shelf cover rests atop a slat-wall shelf; and,
FIG. 8 is a view the section 8-8 of FIG. 6.
The broken lines in FIGS. 1, 3, 7, and 8 show the environment of the shelf cover and/or functional features of the article that allow it to interact properly with the environment; these elements do not form a part of the claimed design.

1 Claim, 4 Drawing Sheets

- (56) **References Cited**
U.S. PATENT DOCUMENTS
560,884 A * 5/1896 Anderson et al. 248/249
1,656,199 A * 1/1928 Hodgson 434/403
2,657,756 A * 11/1953 Brogren 180/68.5
2,704,974 A * 3/1955 Steman 99/422
3,685,687 A * 8/1972 Eckdahl 206/504
D255,195 S * 6/1980 Smith D6/511
4,265,390 A * 5/1981 Faller et al. 229/169
4,269,318 A * 5/1981 Levitt et al. 211/153
D260,102 S * 8/1981 Evans D19/92
D273,069 S * 3/1984 Yauger D6/511



US D696,541 S

Page 2

(56)

References Cited

U.S. PATENT DOCUMENTS

D377,294 S * 1/1997 Brady D7/554.3
D403,904 S * 1/1999 Machael et al. D6/511
D422,389 S * 4/2000 Gay D32/74
6,164,610 A * 12/2000 Santiago 248/235
D452,786 S * 1/2002 Petri D6/511
D480,923 S * 10/2003 Neubourg D7/554.3
D483,970 S * 12/2003 Lin D6/511
D486,331 S * 2/2004 Boron D6/511

D546,611 S * 7/2007 Bouroullec et al. D6/574
D556,362 S * 11/2007 Pfund et al. D26/94
D567,555 S * 4/2008 McConnell D6/511
D568,069 S * 5/2008 Berger D6/476
D572,056 S * 7/2008 McConnell D6/511
D595,987 S * 7/2009 Jones D6/627
D607,240 S * 1/2010 Clausen D6/511
D607,241 S * 1/2010 Clausen D6/511
D607,242 S * 1/2010 Clausen D6/511
D641,188 S * 7/2011 Lin D6/511

* cited by examiner

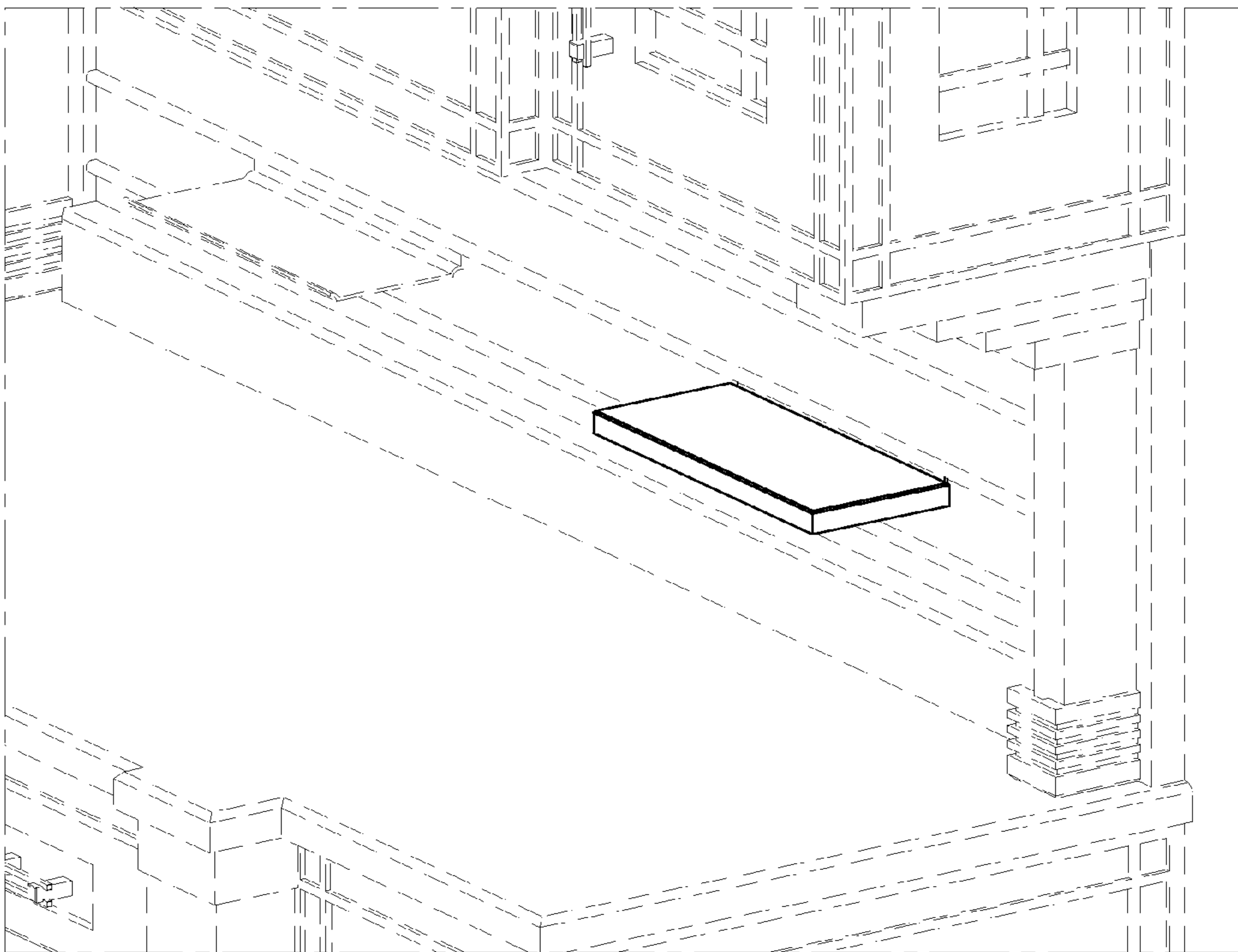


Figure 1

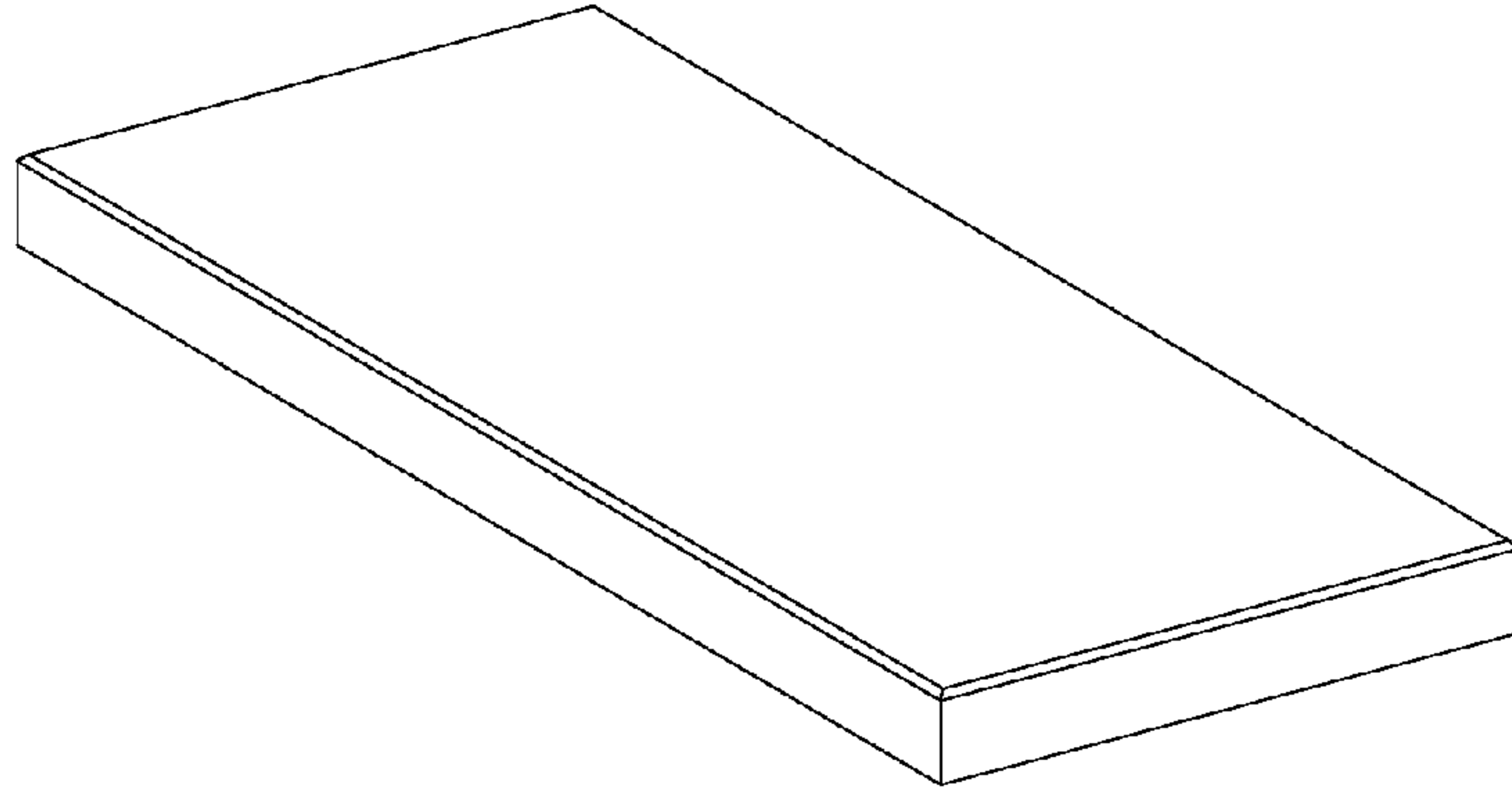


Figure 2

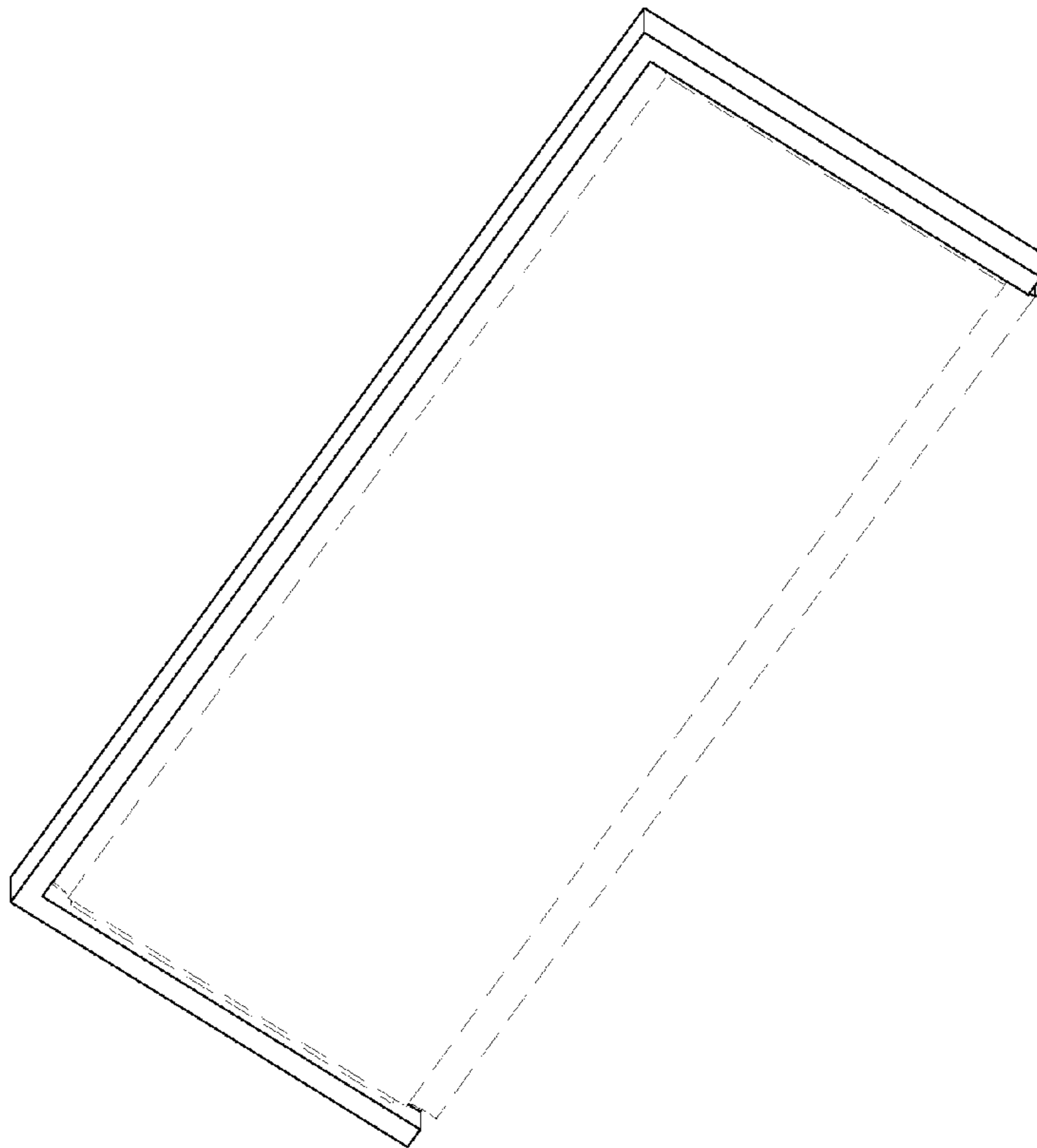
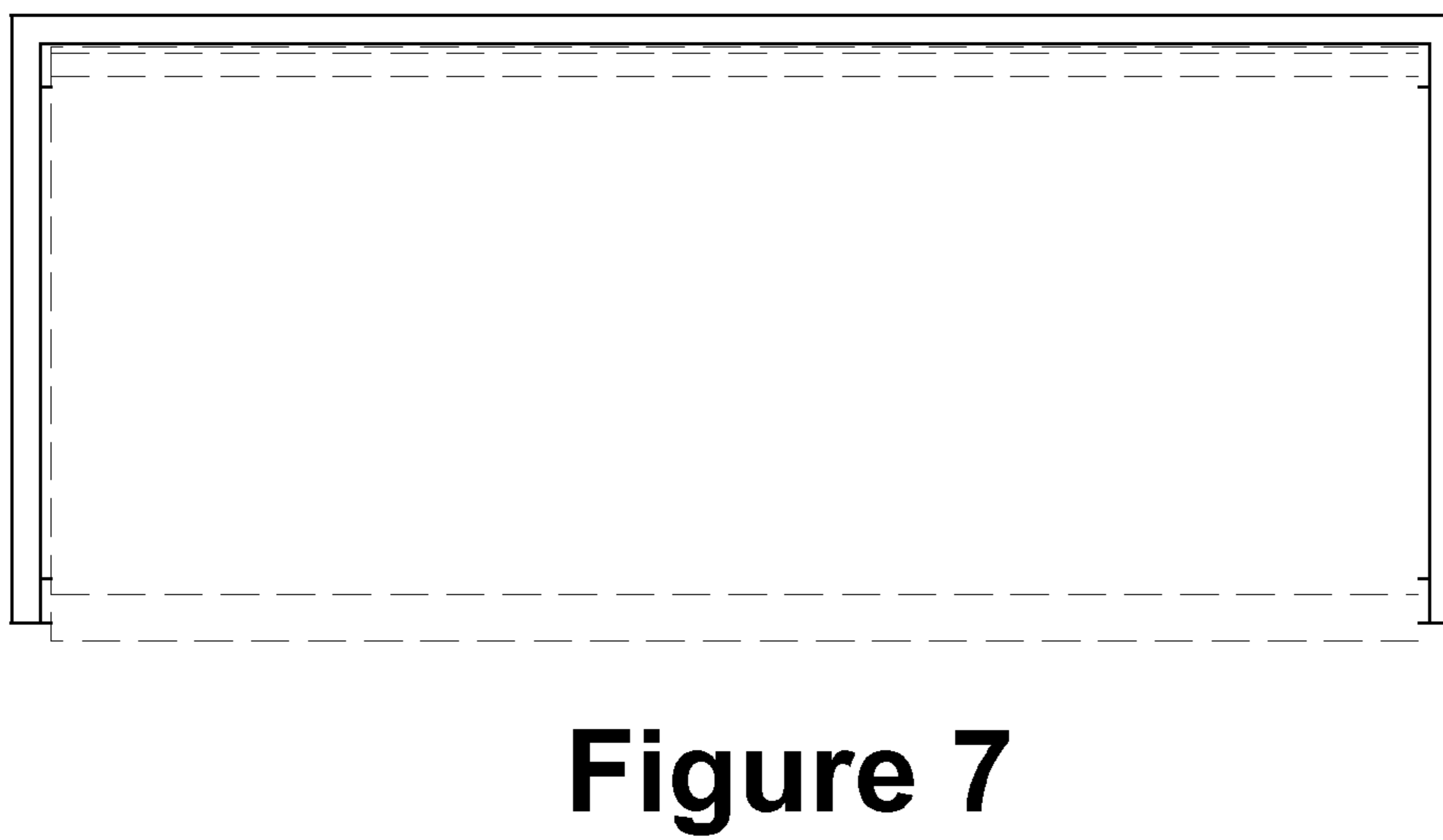
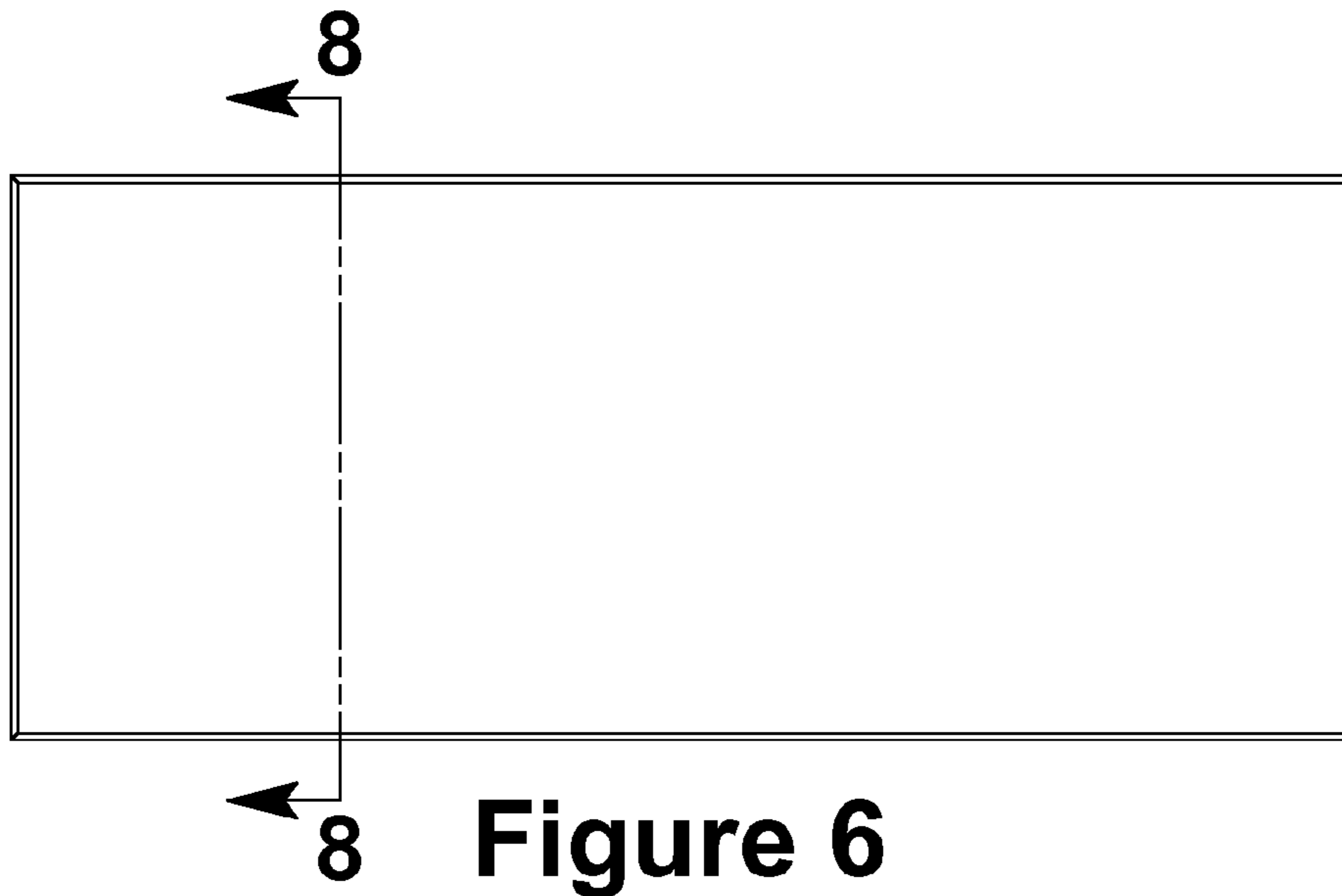


Figure 3



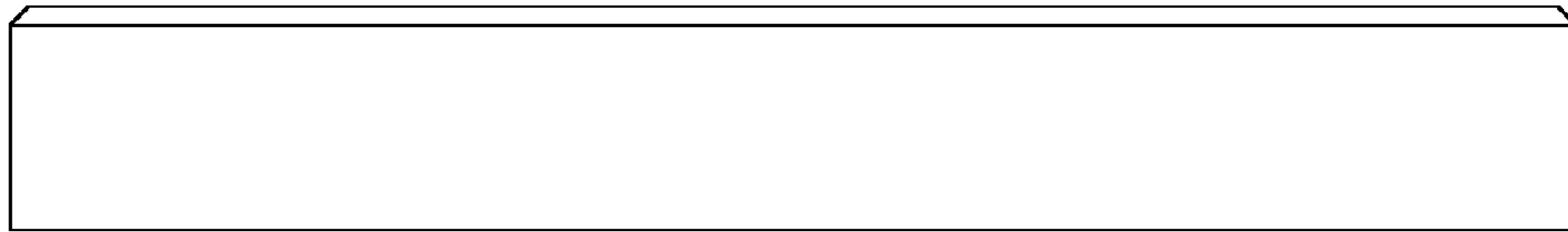


Figure 5

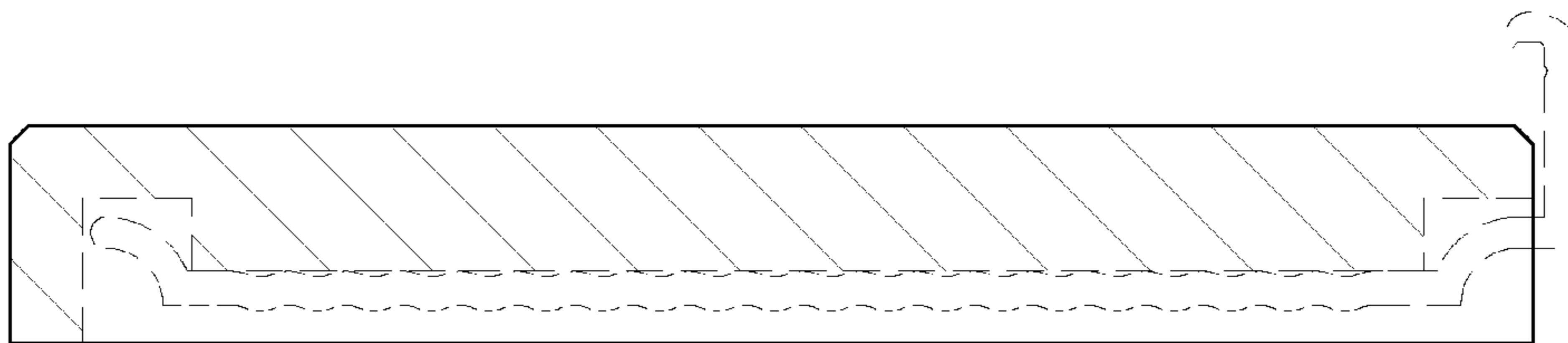


Figure 8