

US00D696539S

(12) **United States Design Patent**
Zambelli

(10) **Patent No.:** **US D696,539 S**
(45) **Date of Patent:** **** Dec. 31, 2013**

- (54) **AUDIO VIDEO SHELVING UNIT**
- (71) Applicant: **Bell'O International Corp.**,
Morganville, NJ (US)
- (72) Inventor: **Michael P. Zambelli**, Basking Ridge, NJ
(US)
- (73) Assignee: **Bell'O International Corp.**,
Morganville, NJ (US)

- D496,807 S 10/2004 deCarolis
- D497,060 S 10/2004 Chang et al.
- D497,061 S 10/2004 Decarolis
- D505,573 S 5/2005 Malizia
- D506,329 S 6/2005 Sexton
- D507,433 S 7/2005 Portnoy
- D507,900 S 8/2005 Sexton
- D508,172 S 8/2005 Malizia et al.
- D515,337 S 2/2006 deCarolis
- D515,849 S 2/2006 Niu
- D516,838 S 3/2006 Portnoy
- D516,840 S 3/2006 deCarolis

(**) Term: **14 Years**

(Continued)

(21) Appl. No.: **29/441,891**

(22) Filed: **Jan. 10, 2013**

(51) **LOC (9) Cl.** **06-06**

(52) **U.S. Cl.**
USPC **D6/662.1**

(58) **Field of Classification Search**
USPC D6/470-471, 474, 477-479, 460-461,
D6/468, 662.1, 672-673, 678-678.1,
D6/681-681.1; 108/59, 91-92, 96; 211/40,
211/41.12, 42, 49.1, 50, 85.2, 90.04, 187,
211/190; 206/307

See application file for complete search history.

(56) **References Cited**

U.S. PATENT DOCUMENTS

- D454,731 S 3/2002 Niitsu et al.
- D458,053 S 6/2002 Luong
- D459,118 S 6/2002 Antonioni
- D472,073 S 3/2003 de Carolis
- D472,074 S 3/2003 de Carolis
- D472,075 S 3/2003 de Carolis
- D489,548 S 5/2004 Malizia et al.
- D491,748 S 6/2004 deCarolis
- D491,749 S 6/2004 Malizia et al.
- D491,750 S 6/2004 Bertoncini et al.
- D491,753 S 6/2004 deCarolis
- D492,860 S 7/2004 Bertoncini et al.
- D493,982 S 8/2004 deCarolis

OTHER PUBLICATIONS

Bell'O Dec. 2011 Product Catalog.

Primary Examiner — Kelley Donnelly

(74) *Attorney, Agent, or Firm* — Lerner, David, Littenberg,
Krumholz & Mentlik, LLP

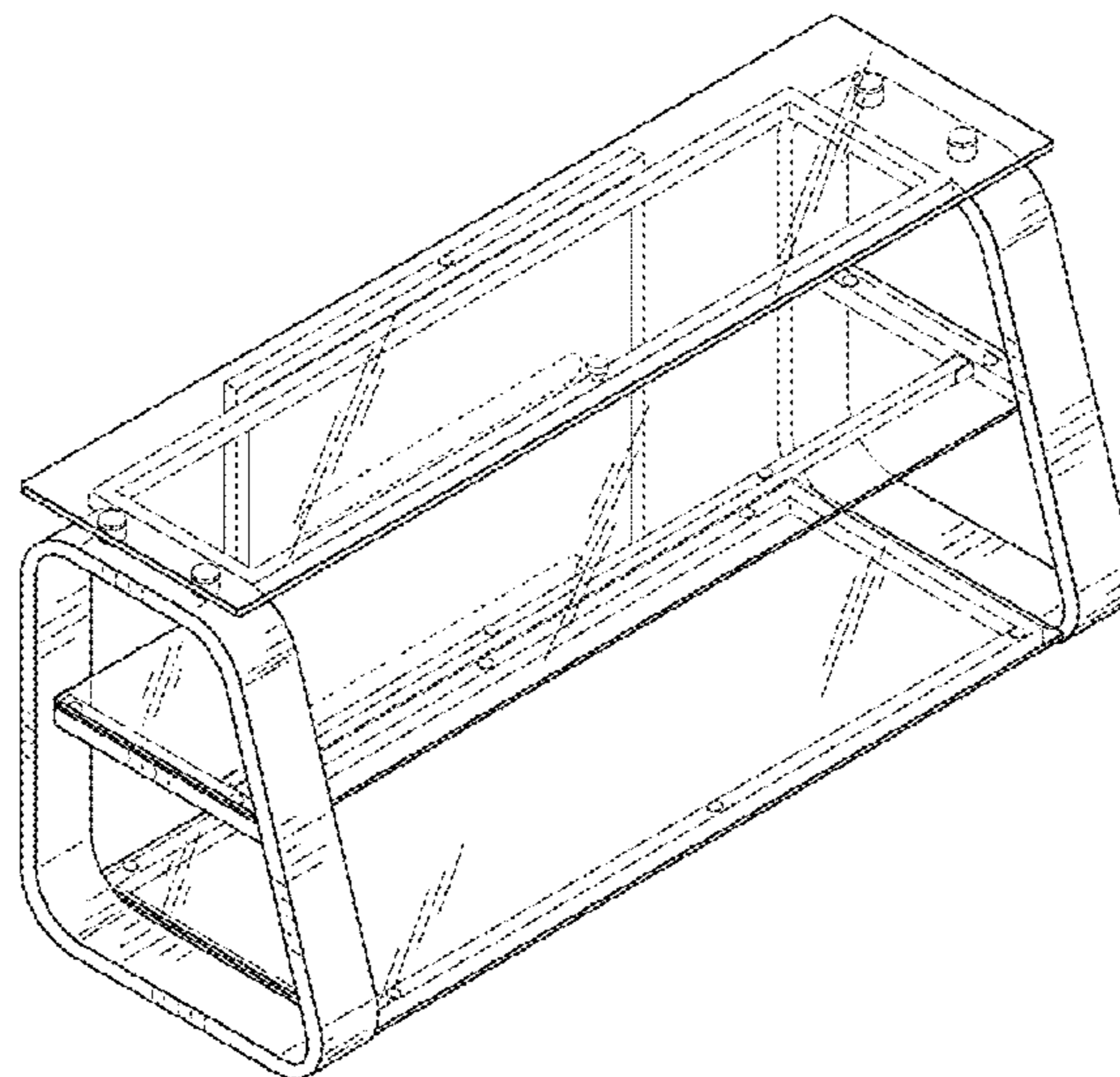
(57) **CLAIM**

The ornamental design for audio video shelving unit, as shown and described.

DESCRIPTION

FIG. 1 is a front perspective view of a first embodiment of the audio video shelving unit;
 FIG. 2 is a front elevational view thereof;
 FIG. 3 is a rear elevational view thereof;
 FIG. 4 is a top plan view thereof;
 FIG. 5 is a right side view thereof (the left side being a mirror image of the right side view);
 FIG. 6 is a front perspective view of a second embodiment of the audio video shelving unit; and,
 FIG. 7 is a top plan view of the embodiment shown in FIG. 6 (all other views of the second embodiment having the same appearance as FIGS. 2, 3 and 5).
 The broken lines shown on the drawings are included for the purpose of illustration and form no part of the claimed design.

1 Claim, 5 Drawing Sheets



(56)

References Cited

U.S. PATENT DOCUMENTS

| | | | | | | | |
|--------------|---------|------------------|--------|--------------|---------|----------------------|----------|
| D516,847 S | 3/2006 | Stenhouse et al. | | D605,874 S | 12/2009 | Zambelli | |
| D517,352 S * | 3/2006 | Wicha | D6/479 | D610,836 S | 3/2010 | Kohler | |
| D519,757 S | 5/2006 | Portnoy | | D612,172 S | 3/2010 | Portnoy | |
| D524,080 S | 7/2006 | Stenhouse et al. | | D612,634 S | 3/2010 | Zambelli | |
| D524,578 S | 7/2006 | Stenhouse et al. | | D616,672 S | 6/2010 | Sculler et al. | |
| D525,052 S | 7/2006 | Malizia et al. | | D619,827 S | 7/2010 | Sculler et al. | |
| D525,054 S | 7/2006 | Stenhouse et al. | | D619,828 S | 7/2010 | Connor et al. | |
| D527,208 S | 8/2006 | Malizia et al. | | D620,278 S | 7/2010 | Zambelli | |
| D535,497 S | 1/2007 | Portnoy | | D620,284 S | 7/2010 | Zambelli | |
| D537,656 S | 3/2007 | Stenhouse et al. | | D620,285 S | 7/2010 | Sculler et al. | |
| D540,067 S | 4/2007 | Chung | | D623,442 S | 9/2010 | Zambelli | |
| D542,059 S | 5/2007 | Moyle et al. | | D623,443 S | 9/2010 | Zambelli | |
| D543,729 S | 6/2007 | Weatherly | | D623,876 S | 9/2010 | Zambelli | |
| D549,991 S | 9/2007 | Stravitz | | D623,877 S | 9/2010 | Zambelli | |
| D554,393 S | 11/2007 | Yalif | | D625,123 S | 10/2010 | Zambelli | |
| D555,397 S | 11/2007 | Yalif | | D639,089 S * | 6/2011 | Sexton | D6/477 |
| D559,583 S | 1/2008 | Zambelli | | D641,183 S | 7/2011 | Portnoy | |
| D559,584 S | 1/2008 | Zambelli | | D641,995 S | 7/2011 | Zambelli | |
| D560,077 S | 1/2008 | Zambelli | | D643,649 S | 8/2011 | Chung | |
| D560,401 S | 1/2008 | Hoglan et al. | | D644,043 S | 8/2011 | Portnoy | |
| D562,593 S | 2/2008 | Zambelli | | D644,454 S | 9/2011 | Chung | |
| D563,695 S | 3/2008 | Yamaguchi | | D646,910 S | 10/2011 | Portnoy | |
| D564,260 S | 3/2008 | deCarolis | | D648,573 S | 11/2011 | Sculler | |
| D564,261 S | 3/2008 | Sculler | | D651,826 S | 1/2012 | Tseng et al. | |
| D564,789 S | 3/2008 | deCarolis | | D653,057 S | 1/2012 | Sexton | |
| D564,796 S | 3/2008 | Zambelli | | D654,289 S | 2/2012 | Zambelli | |
| D564,797 S | 3/2008 | Yamaguchi | | D662,728 S | 7/2012 | Portnoy | |
| D587,483 S | 3/2009 | Zambelli | | D662,729 S | 7/2012 | Zambelli | |
| D587,496 S | 3/2009 | Weitz | | D663,135 S | 7/2012 | Zambelli | |
| D587,497 S | 3/2009 | Zambelli | | D663,137 S | 7/2012 | Andersen | |
| D589,280 S | 3/2009 | Weitz | | D663,138 S | 7/2012 | Andersen et al. | |
| D590,636 S | 4/2009 | Ou Yang et al. | | D663,139 S | 7/2012 | Zambelli | |
| D590,637 S | 4/2009 | Portnoy | | D663,551 S | 7/2012 | Zambelli et al. | |
| D592,428 S | 5/2009 | Zambelli | | D668,475 S | 10/2012 | Zambelli | |
| D594,248 S | 6/2009 | Zambelli | | D669,704 S | 10/2012 | Zambelli | |
| D595,978 S | 7/2009 | Portnoy et al. | | D669,706 S | 10/2012 | Zambelli | |
| D599,584 S | 9/2009 | Zambelli | | D669,707 S | 10/2012 | Zambelli | |
| D601,370 S * | 10/2009 | Kohler | D6/495 | D671,337 S * | 11/2012 | Sexton | D6/474 |
| D604,962 S | 12/2009 | Daud | | D681,369 S * | 5/2013 | Chung | D6/675.1 |
| | | | | D681,977 S * | 5/2013 | Zambelli et al. | D6/675.1 |

* cited by examiner

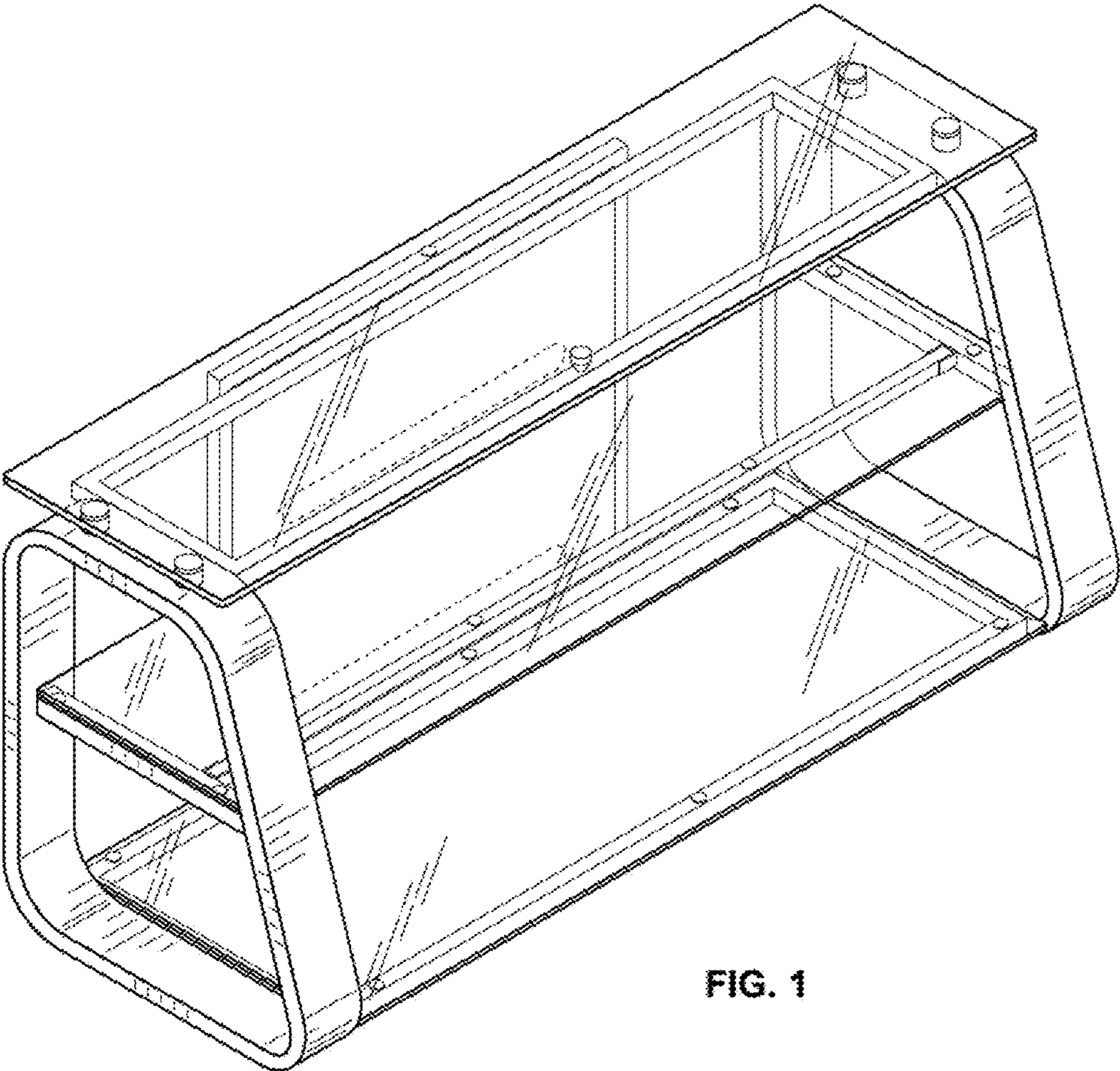


FIG. 1

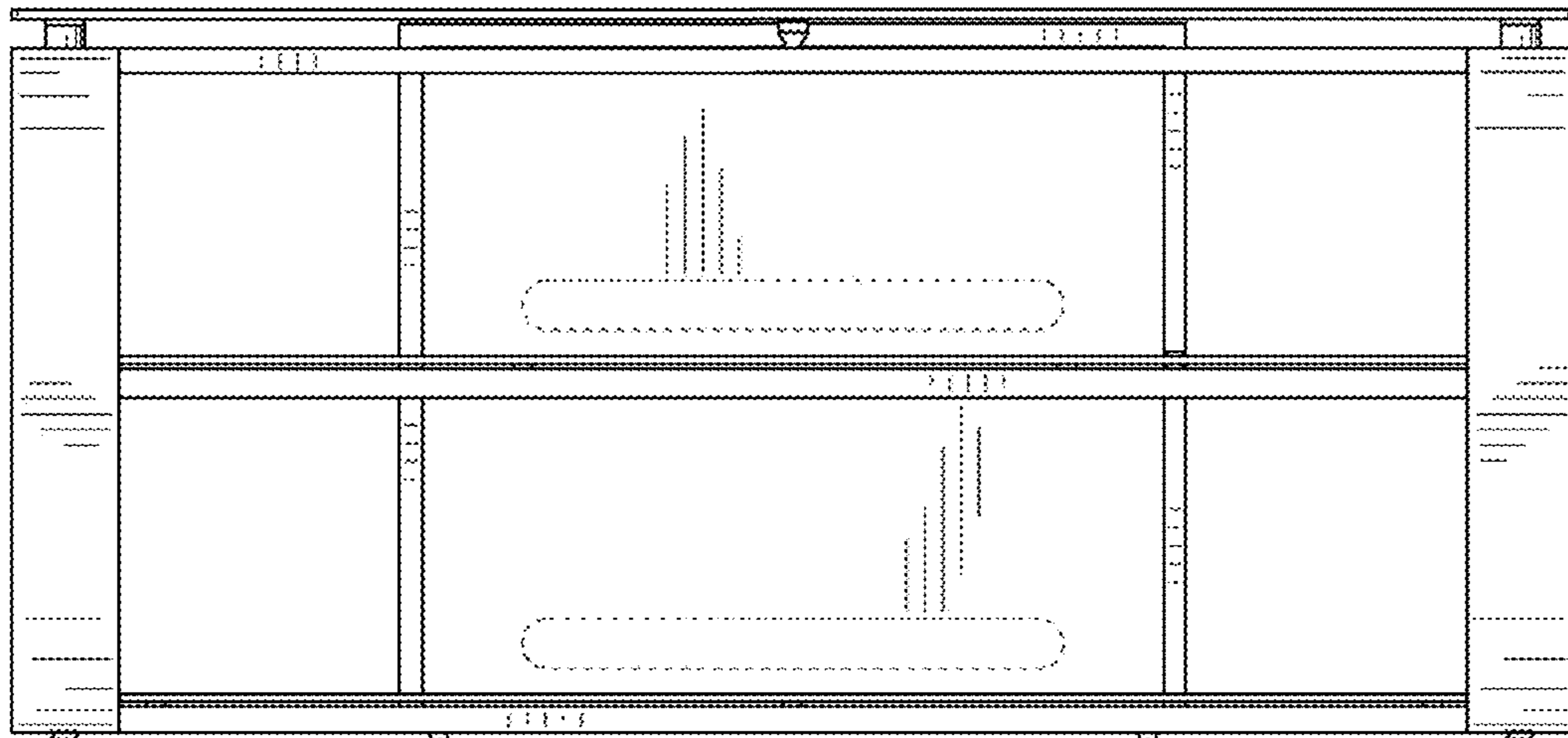


FIG. 2

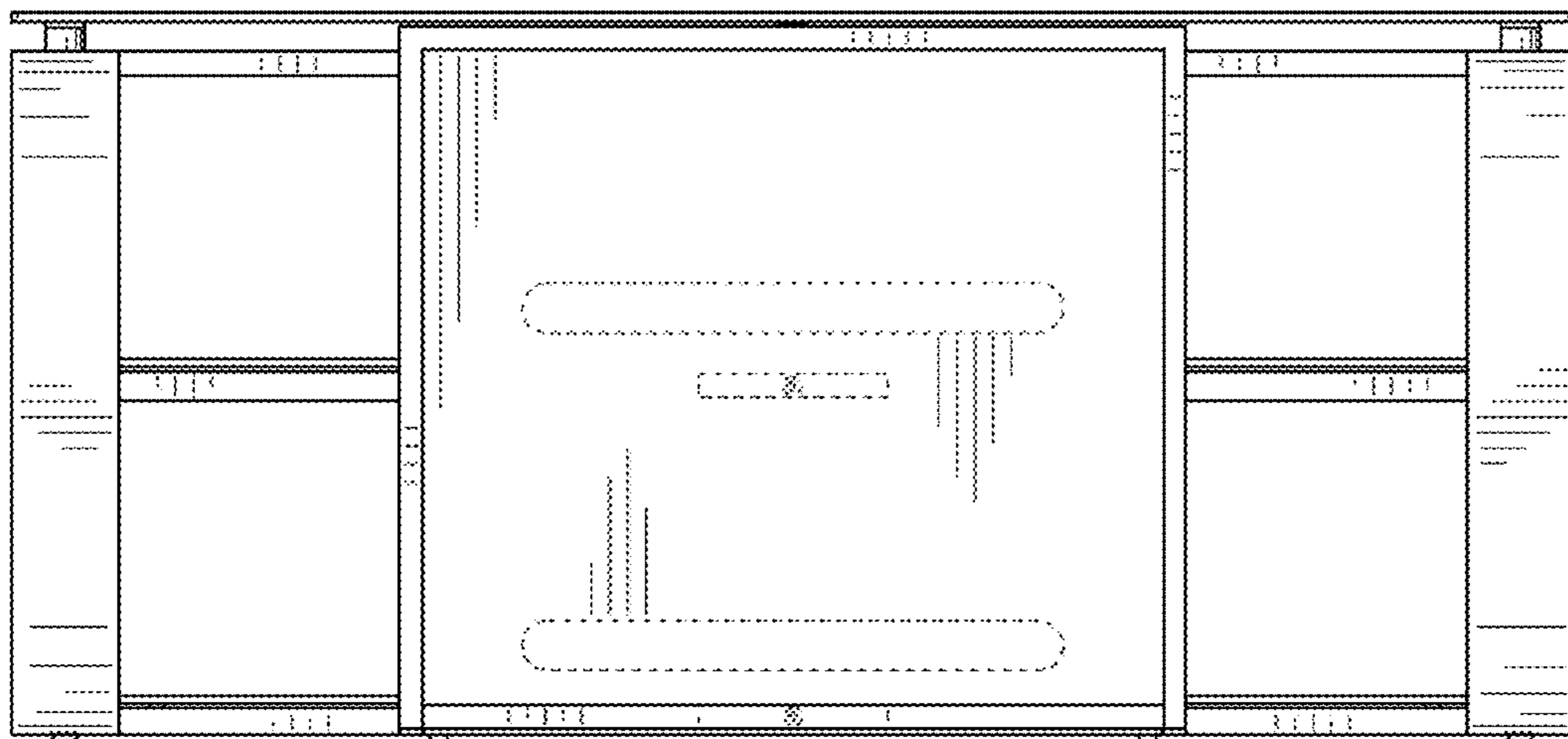


FIG. 3

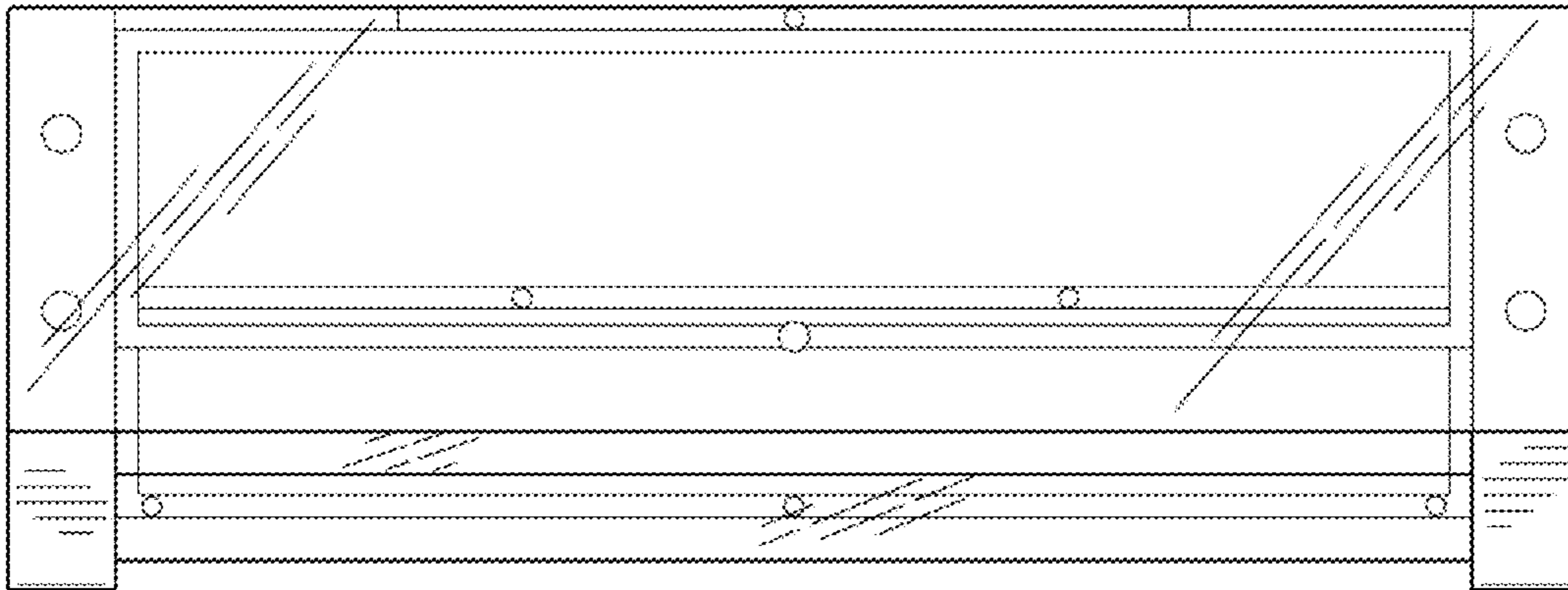


FIG. 4

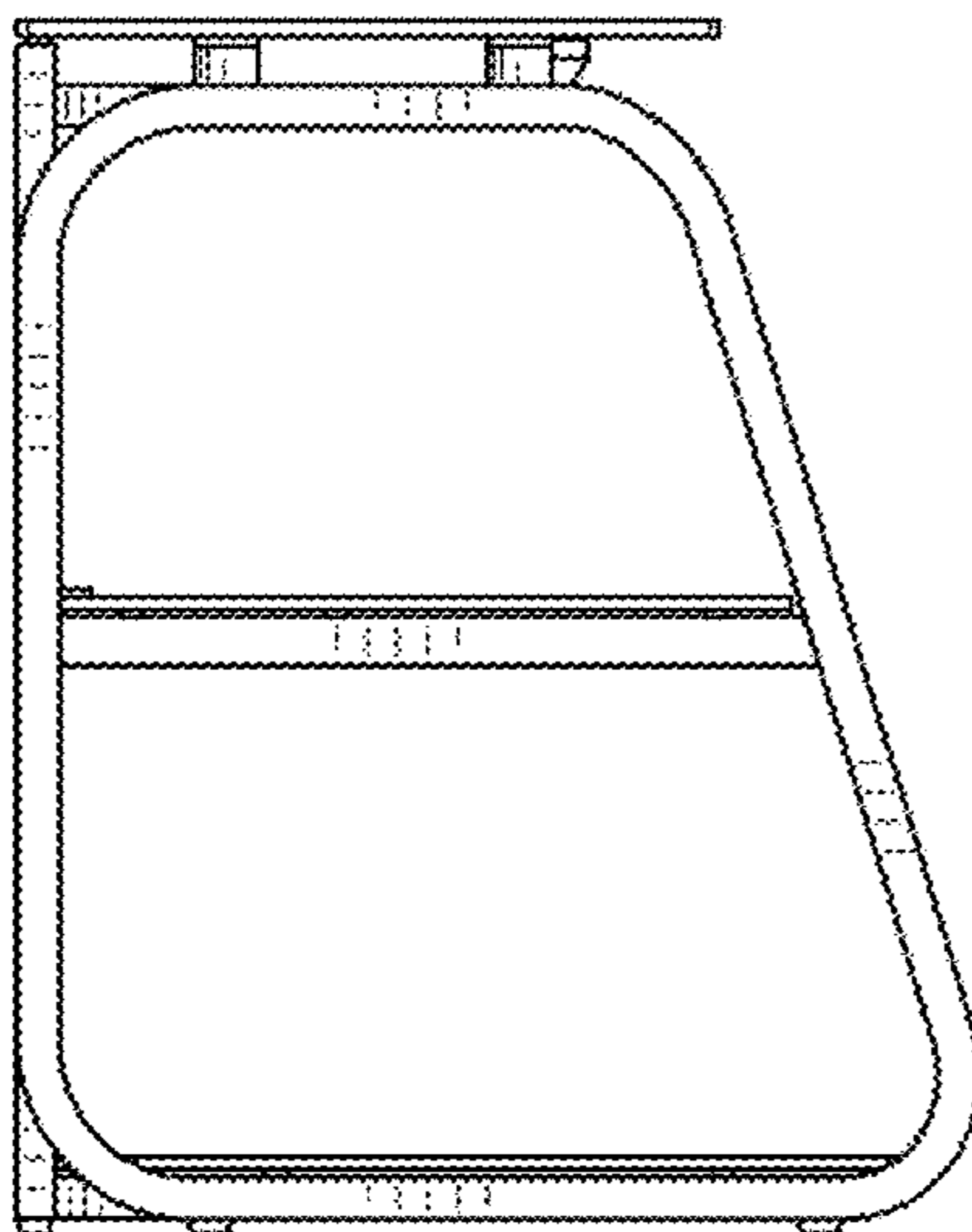


FIG. 5

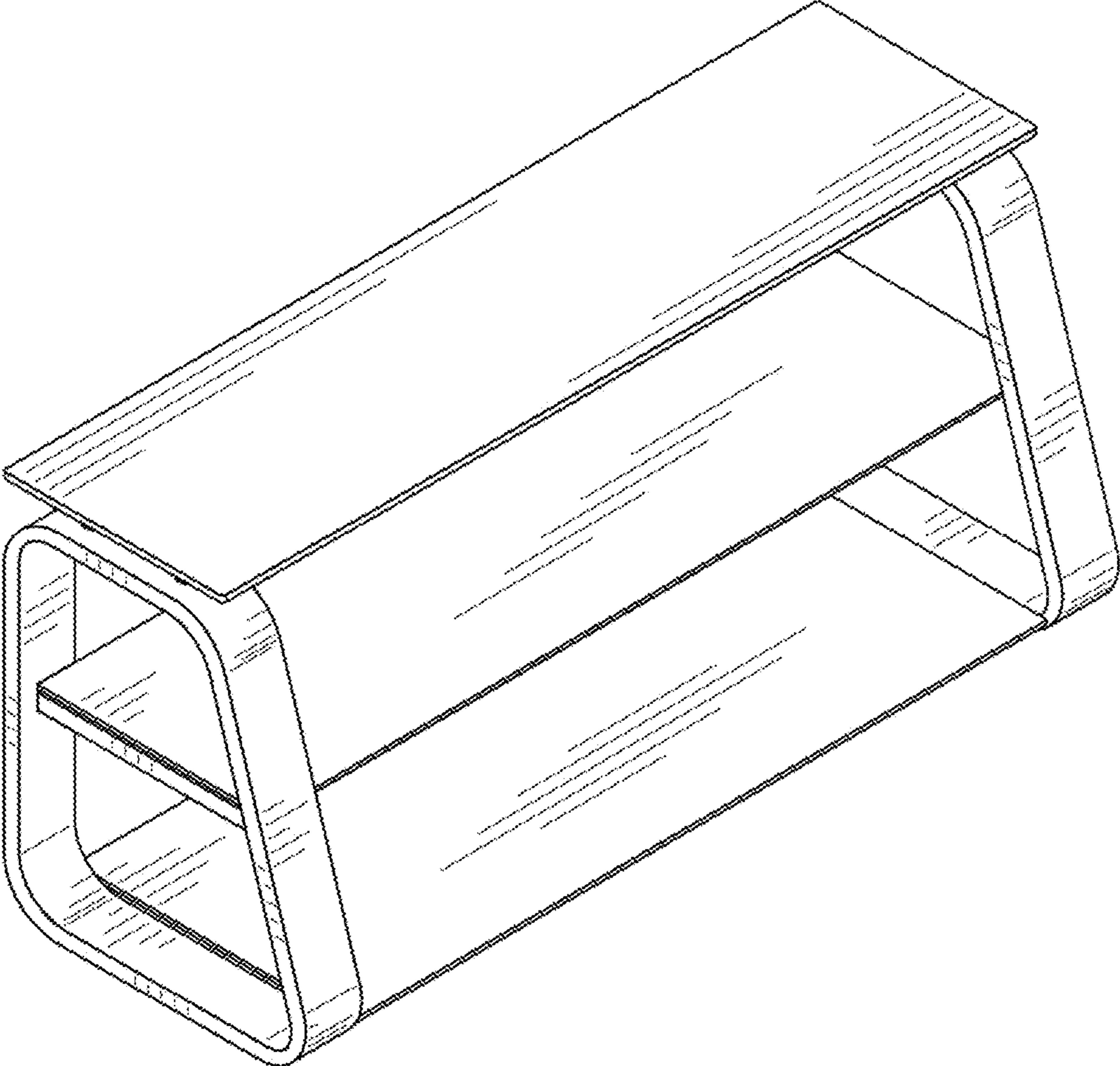


FIG. 6

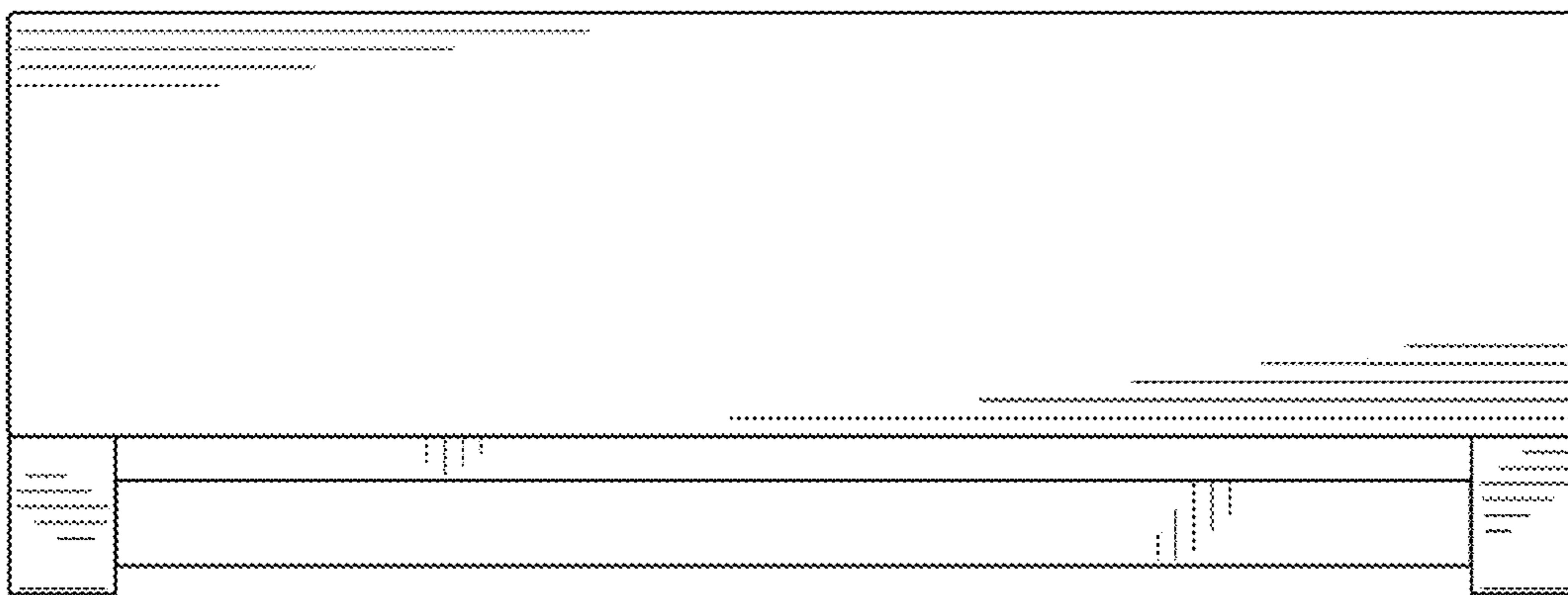


FIG. 7