



US00D696538S

(12) **United States Design Patent**
Fiori

(10) **Patent No.:** **US D696,538 S**
(45) **Date of Patent:** **** Dec. 31, 2013**

(54) **FOOD STORAGE AND DISPLAY CABINET**

(75) Inventor: **Mark Victor Keefe Fiori**, Willagee
(AU)

(73) Assignee: **Y-Gen Enterprises Pty Ltd.**, Murdoch
(AU)

(**) Term: **14 Years**

(21) Appl. No.: **29/430,197**

(22) Filed: **Aug. 22, 2012**

(30) **Foreign Application Priority Data**

Feb. 22, 2012 (AU) 10847/2012

(51) **LOC (9) Cl.** **06-04**

(52) **U.S. Cl.**
USPC **D6/661**

(58) **Field of Classification Search**
USPC D6/657, 660, 661, 663, 664, 664.1, 671,
D6/671.1, 671.2, 671.3, 671.4; 312/107,
312/114, 116, 117, 138.1, 204, 205, 209,
312/401, 403, 404; D15/79, 81, 85;
D34/19, 20, 21; 62/252, 291; 219/214,
219/387

See application file for complete search history.

(56) **References Cited**

U.S. PATENT DOCUMENTS

1,058,906 A * 4/1913 Schlichting 62/252
2,500,609 A * 3/1950 Howard 312/401
2,539,893 A * 1/1951 Cooper 312/107
2,845,780 A * 8/1958 Conklin et al. 62/291
2,948,798 A * 8/1960 Ness 219/387
3,170,541 A * 2/1965 Werner 312/116
3,275,393 A * 9/1966 Conklin et al. 312/403

3,584,927 A * 6/1971 Ott et al. 312/209
3,632,968 A * 1/1972 Wilson 219/214
3,911,248 A * 10/1975 Buday et al. 219/214
D239,238 S * 3/1976 Buday D6/661
D244,019 S * 4/1977 Brown D15/85
D249,610 S * 9/1978 Burton D6/661
D249,612 S * 9/1978 Burton D6/661
D491,580 S * 6/2004 Stoddart D15/79
D513,014 S * 12/2005 Seki D15/81
D579,688 S * 11/2008 Martinez et al. D6/661
D595,517 S 7/2009 Fiori
D646,503 S 10/2011 Fiori

(Continued)

OTHER PUBLICATIONS

U.S. Appl. No. 29/430,190, Fiori.

(Continued)

Primary Examiner — Mimoso De

(74) *Attorney, Agent, or Firm* — Venable LLP; Robert Kinberg

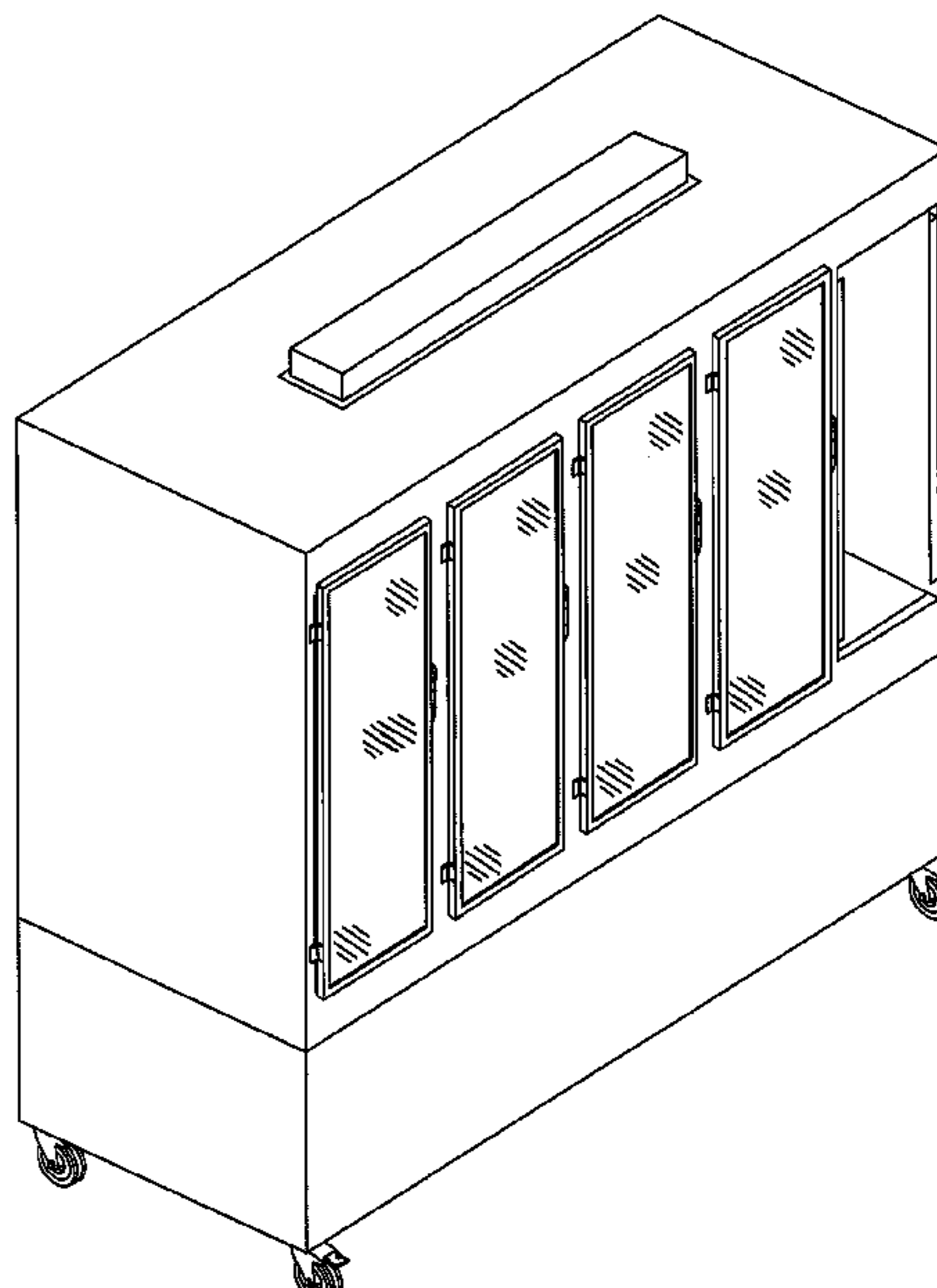
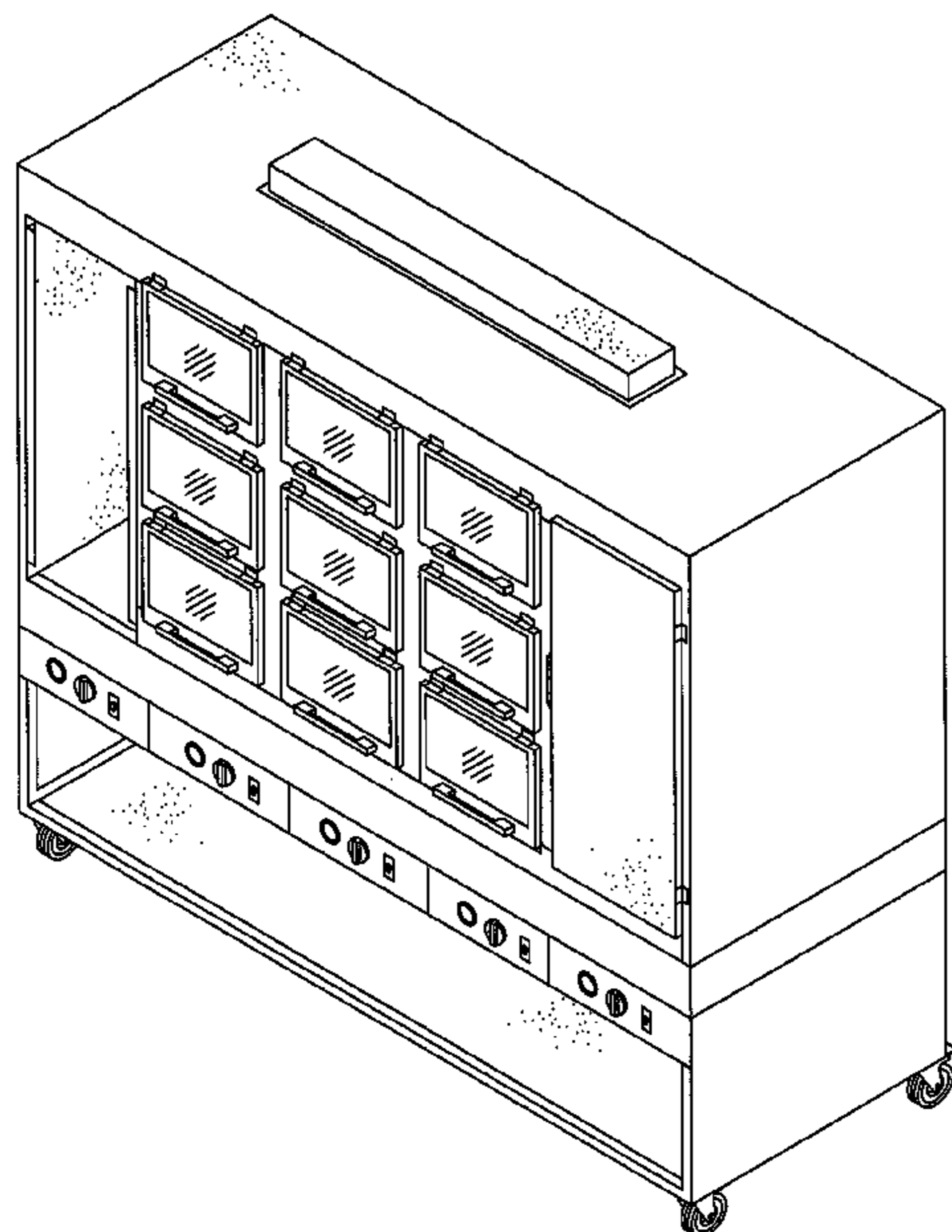
(57) **CLAIM**

The ornamental design for a food storage and display cabinet, as shown and described.

DESCRIPTION

FIG. 1 is a perspective view from the front isometric view of the food storage and display cabinet showing the first embodiment of my new design;
FIG. 2 is a back isometric view of the design shown in FIG. 1;
FIG. 3 is a front view of the design shown in FIG. 1;
FIG. 4 is a back view of the design shown in FIG. 1;
FIG. 5 is a left side view of the design shown in FIG. 1;
FIG. 6 is a right side view of the design shown in FIG. 1;
FIG. 7 is a top view of the design shown in FIG. 1; and,
FIG. 8 is a bottom view of the design shown in FIG. 1.

1 Claim, 5 Drawing Sheets



(56)

References Cited

OTHER PUBLICATIONS

U.S. PATENT DOCUMENTS

2008/0180010 A1* 7/2008 Iguchi et al. 312/401
2009/0045712 A1* 2/2009 Laible 312/401
2010/0060123 A1* 3/2010 Ip 312/404
2013/0186123 A1* 7/2013 Garg 62/252

U.S. Appl. No. 29/430,193, Fiori.
U.S. Appl. No. 29/430,195, Fiori.
U.S. Appl. No. 29/430,196, Fiori.

* cited by examiner

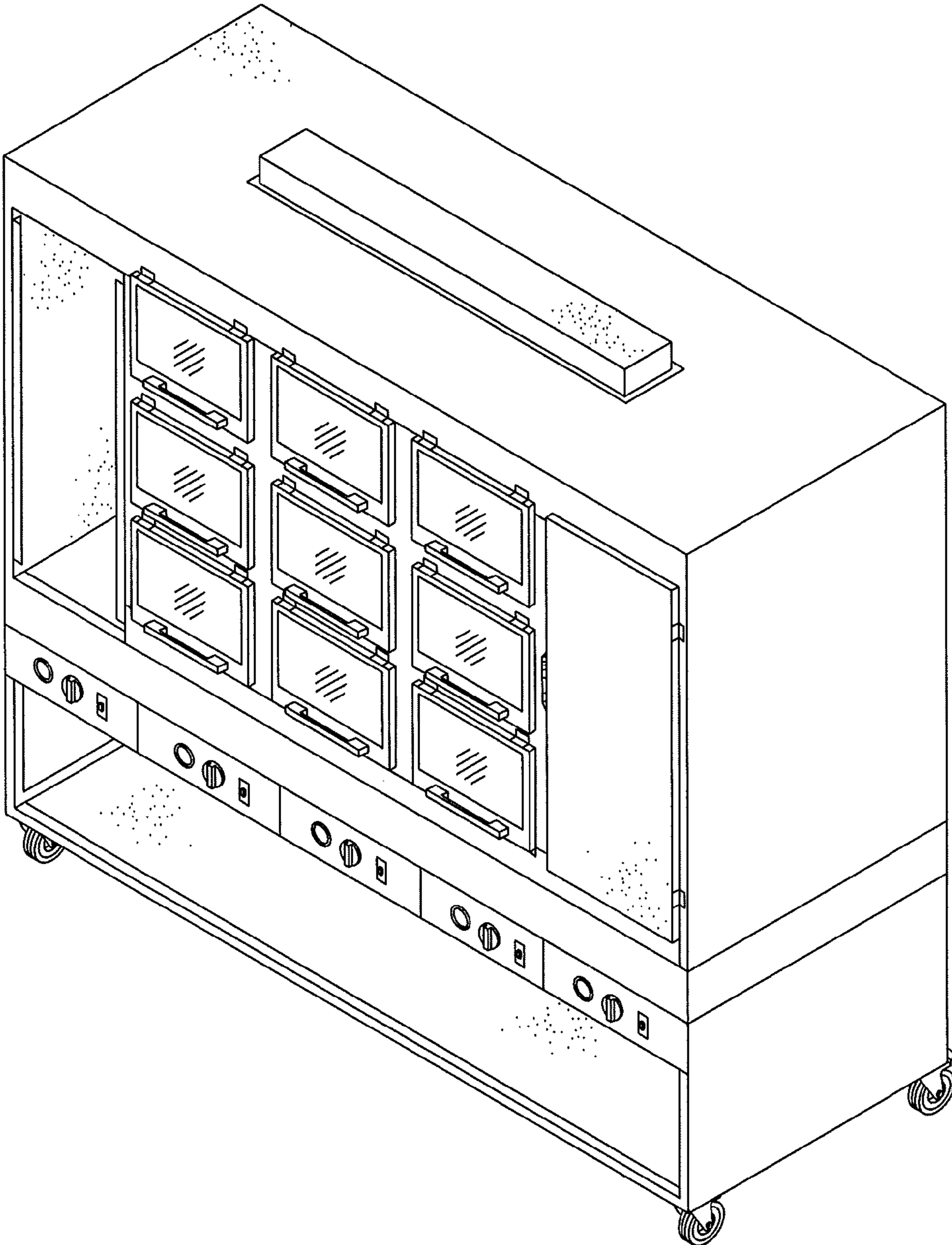


FIGURE 1

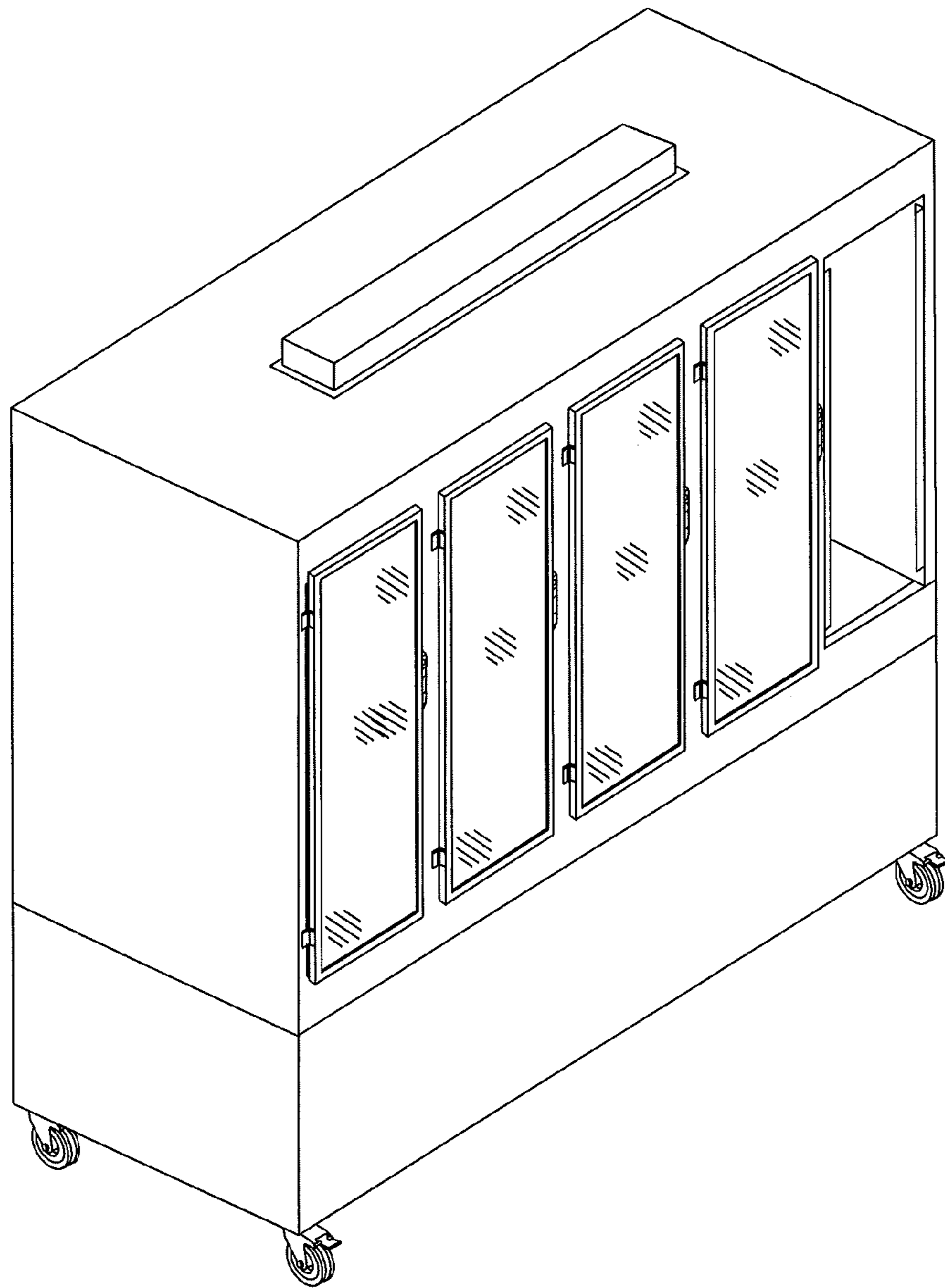


FIGURE 2

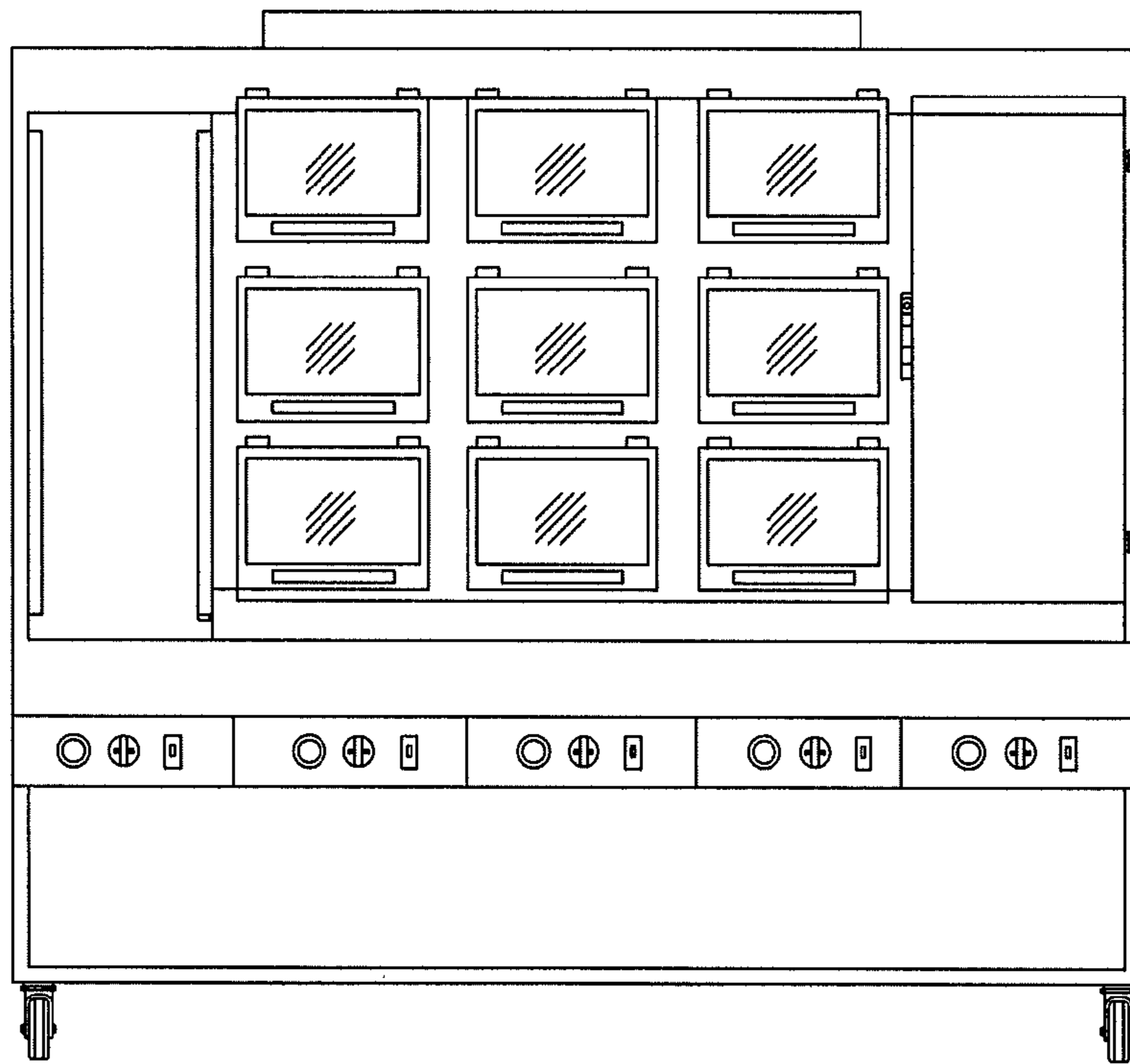


FIGURE 3

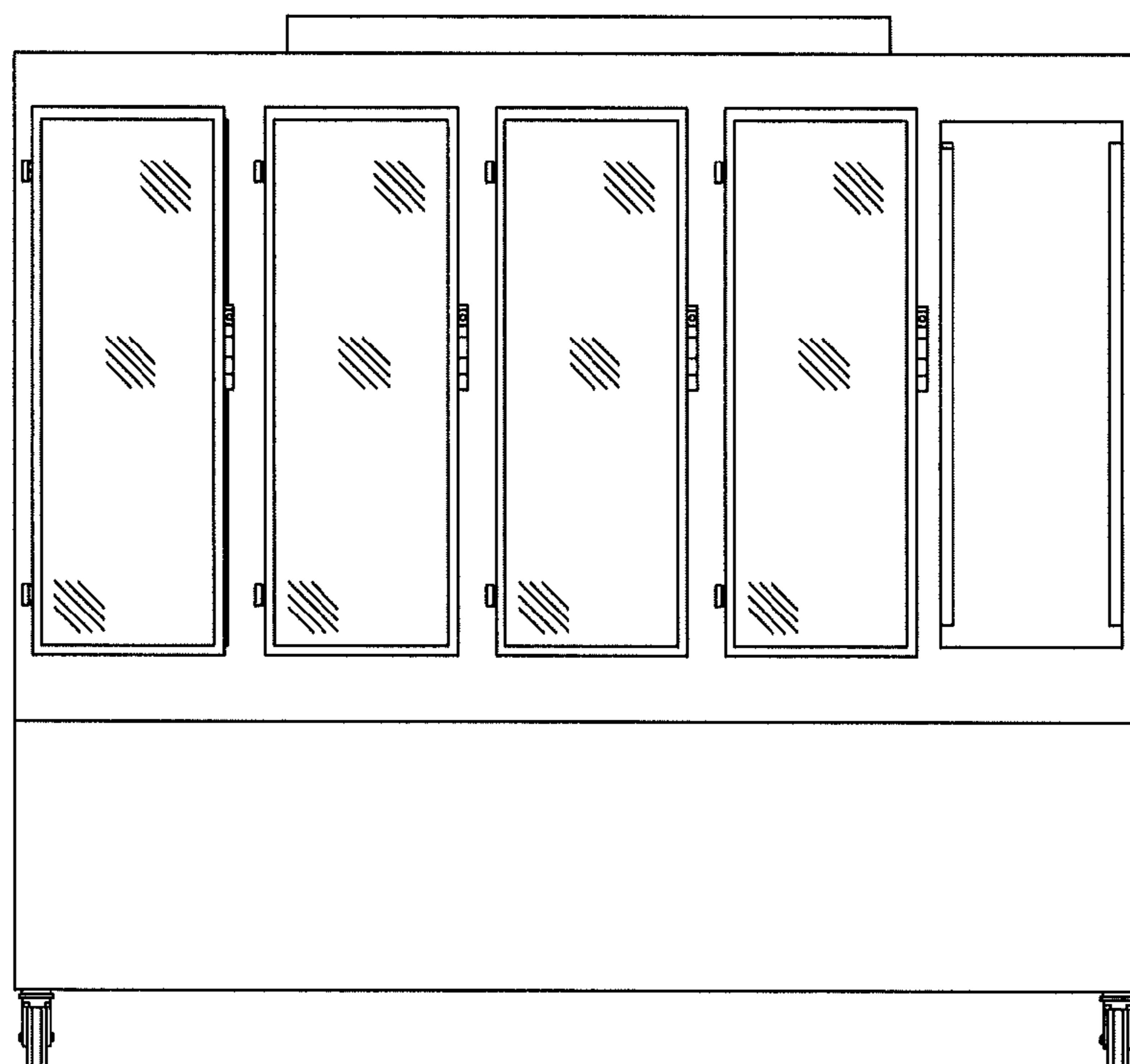


FIGURE 4

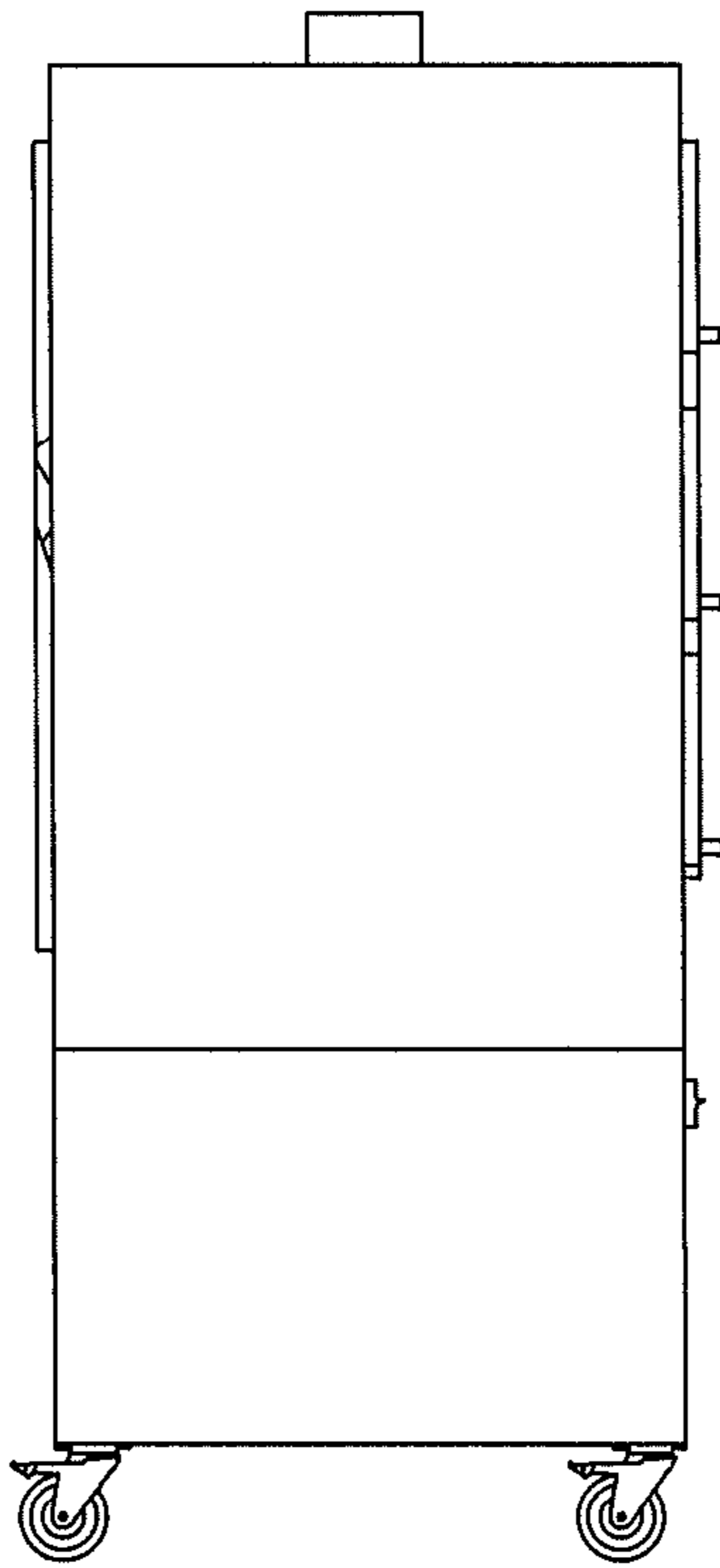


FIGURE 5

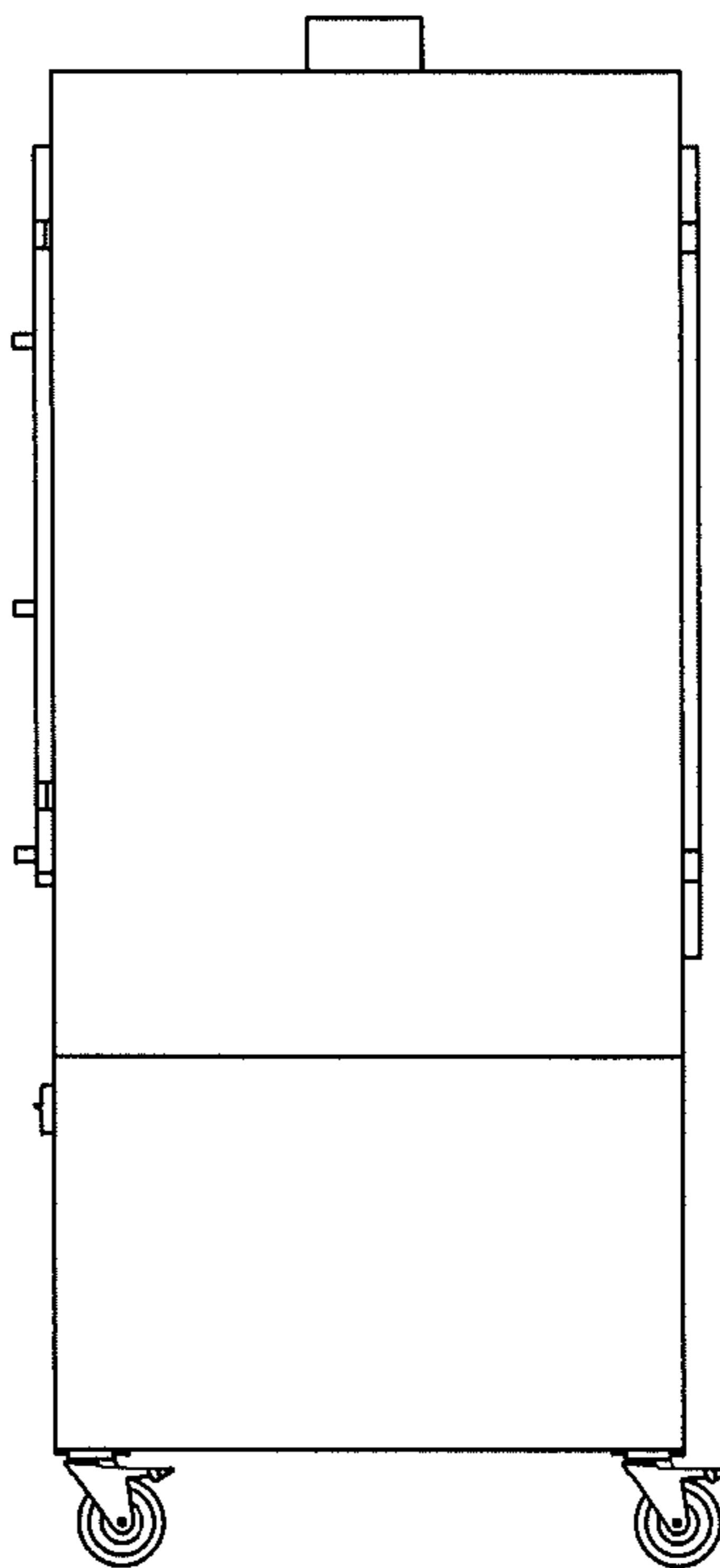


FIGURE 6

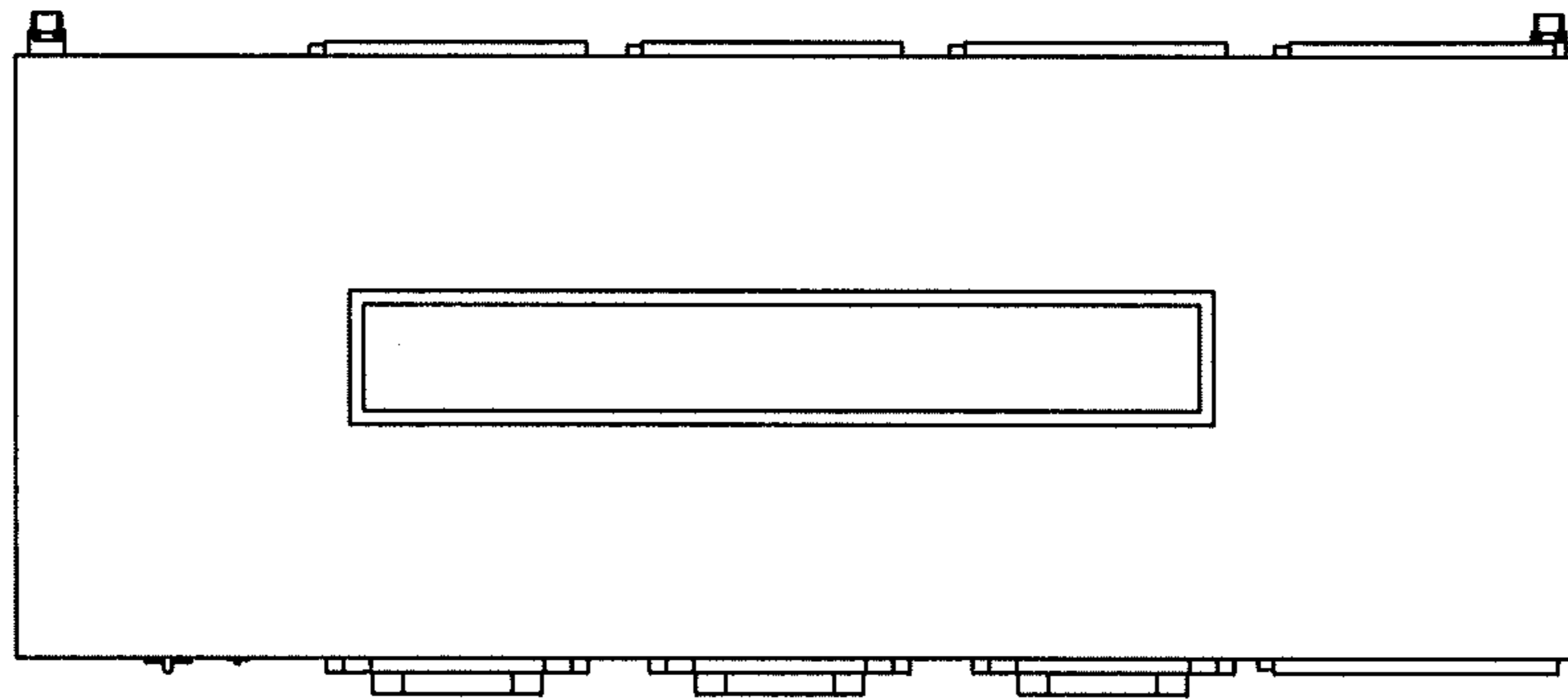


FIGURE 7

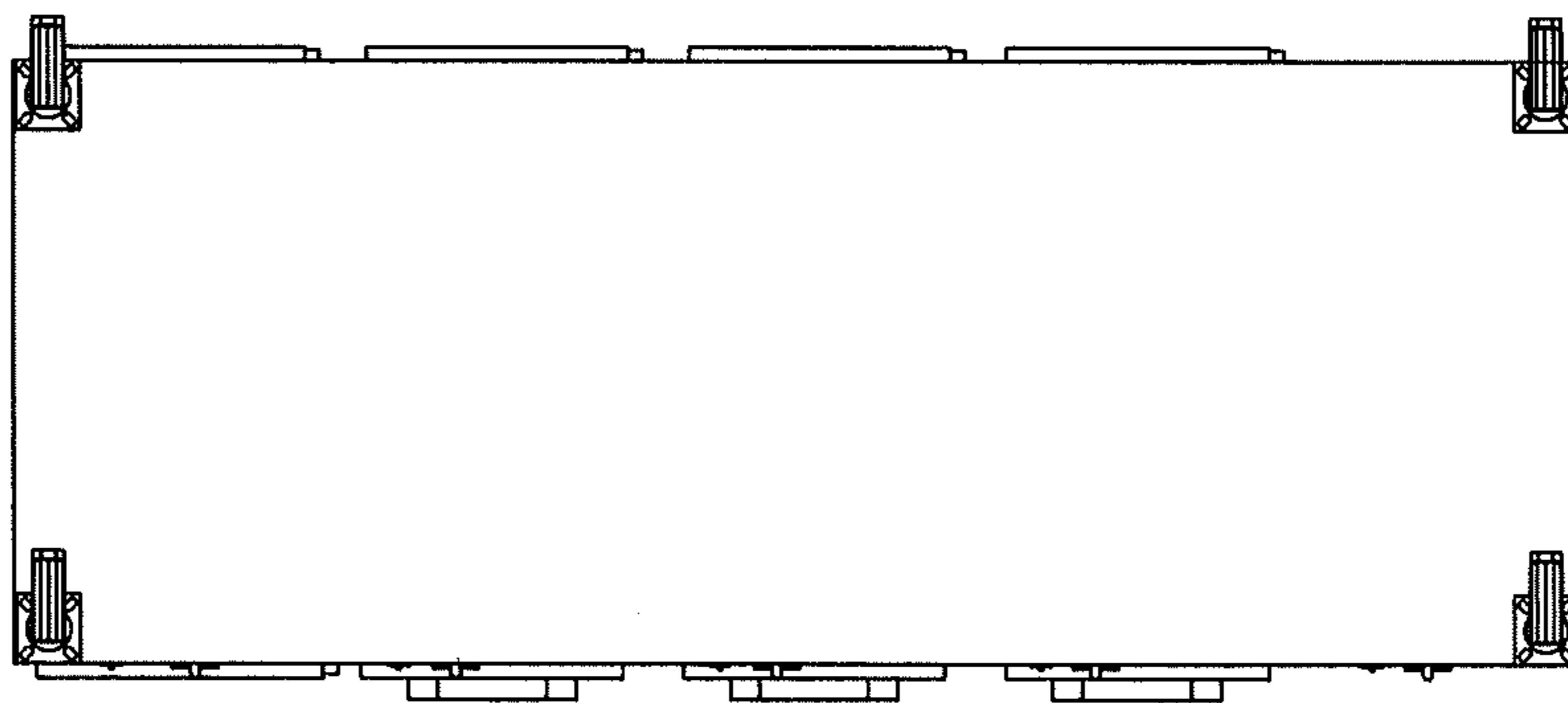


FIGURE 8