



US00D696537S

(12) **United States Design Patent**
Fiori

(10) **Patent No.:** **US D696,537 S**

(45) **Date of Patent:** **** Dec. 31, 2013**

(54) **FOOD STORAGE AND DISPLAY CABINET**

(75) Inventor: **Mark Victor Keefe Fiori**, Willagee
(AU)

(73) Assignee: **Y-Gen Enterprises Pty Ltd.**, Murdoch
(AU)

(**) Term: **14 Years**

(21) Appl. No.: **29/430,196**

(22) Filed: **Aug. 22, 2012**

(30) **Foreign Application Priority Data**

Feb. 22, 2012 (AU) 201210846

(51) **LOC (9) Cl.** **06-04**

(52) **U.S. Cl.**
USPC **D6/661**

(58) **Field of Classification Search**
USPC D6/657, 660, 661, 663, 664, 664.1, 671,
D6/671.1, 671.2, 671.3, 671.4; 312/107,
312/114, 116, 117, 138.1, 204, 205, 209,
312/401, 403, 404; D15/79, 81, 85;
D34/19, 20, 21; 62/252, 291; 219/214,
219/387

See application file for complete search history.

(56) **References Cited**

U.S. PATENT DOCUMENTS

1,058,906	A *	4/1913	Schlichting	62/252
2,500,609	A *	3/1950	Howard	312/401
2,539,893	A *	1/1951	Cooper	312/107
2,845,780	A *	8/1958	Conklin et al.	62/291
2,948,798	A *	8/1960	Ness	219/387
3,170,541	A *	2/1965	Werner	312/116

3,275,393	A *	9/1966	Conklin et al.	312/403
3,584,927	A *	6/1971	Ott et al.	312/209
3,632,968	A *	1/1972	Wilson	219/214
3,911,248	A *	10/1975	Buday et al.	219/214
D239,238	S *	3/1976	Buday	D6/661
D244,019	S *	4/1977	Brown	D15/85
D249,610	S *	9/1978	Burton	D6/661
D249,612	S *	9/1978	Burton	D6/661
D491,580	S *	6/2004	Stoddart	D15/79
D513,014	S *	12/2005	Seki	D15/81
D579,688	S *	11/2008	Martinez et al.	D6/661
2008/0180010	A1 *	7/2008	Iguchi et al.	312/401
2009/0045712	A1 *	2/2009	Laible	312/401
2010/0060123	A1 *	3/2010	Ip	312/404
2013/0186123	A1 *	7/2013	Garg	62/252

* cited by examiner

Primary Examiner — Mimoso De

(74) *Attorney, Agent, or Firm* — Venable LLP; Robert Kinberg

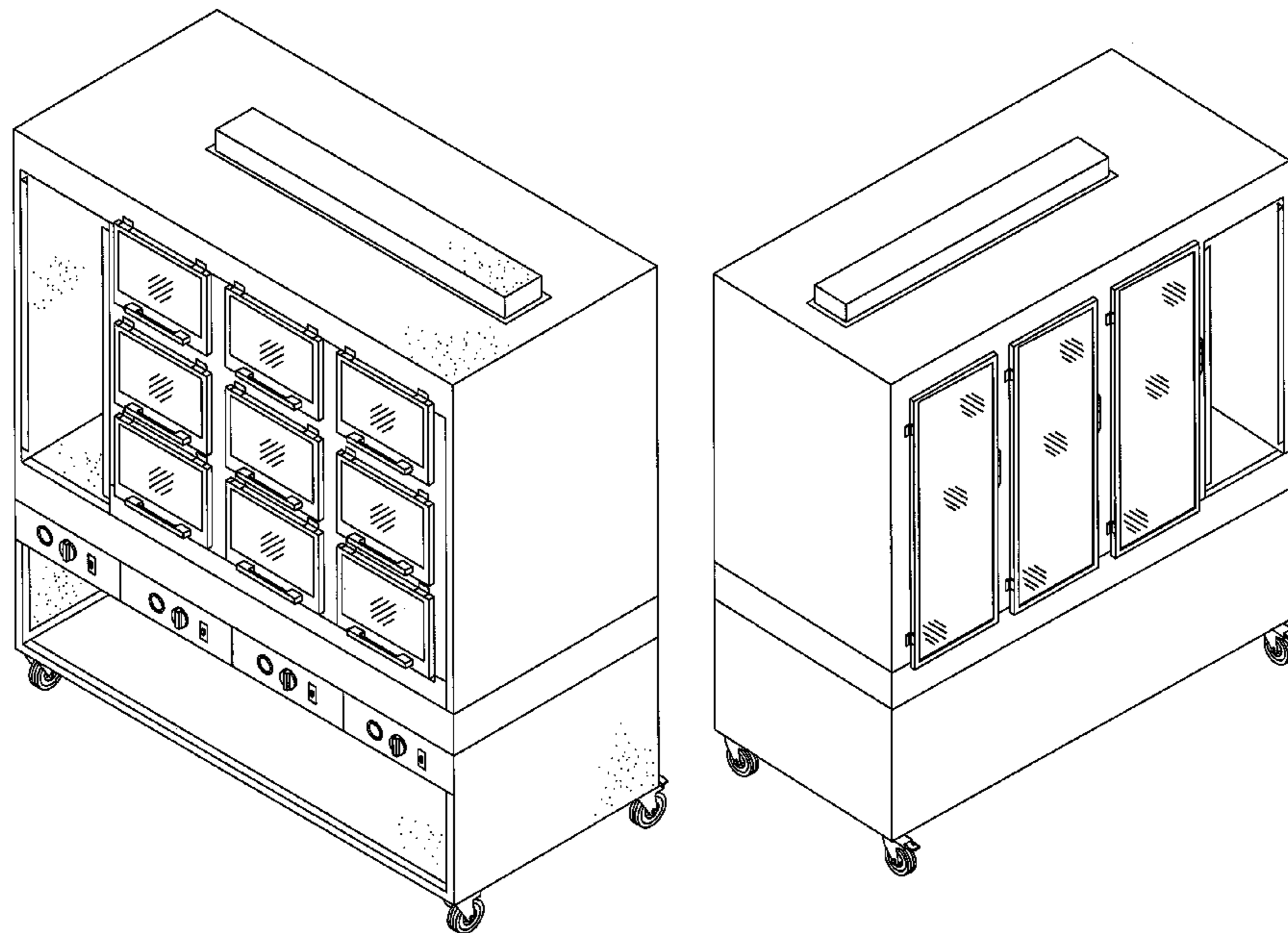
(57) **CLAIM**

The ornamental design for a food storage and display cabinet, as shown and described.

DESCRIPTION

FIG. 1 is a perspective view from the front isometric view of the food storage and display cabinet showing of my new design;
FIG. 2 is a back isometric view of the design shown in FIG. 1;
FIG. 3 is a front view of the design shown in FIG. 1;
FIG. 4 is a back view of the design shown in FIG. 1;
FIG. 5 is a left side view of the design shown in FIG. 1;
FIG. 6 is a right side view of the design shown in FIG. 1;
FIG. 7 is a top view of the design shown in FIG. 1; and
FIG. 8 is a bottom view of the design shown in FIG. 1.

1 Claim, 5 Drawing Sheets



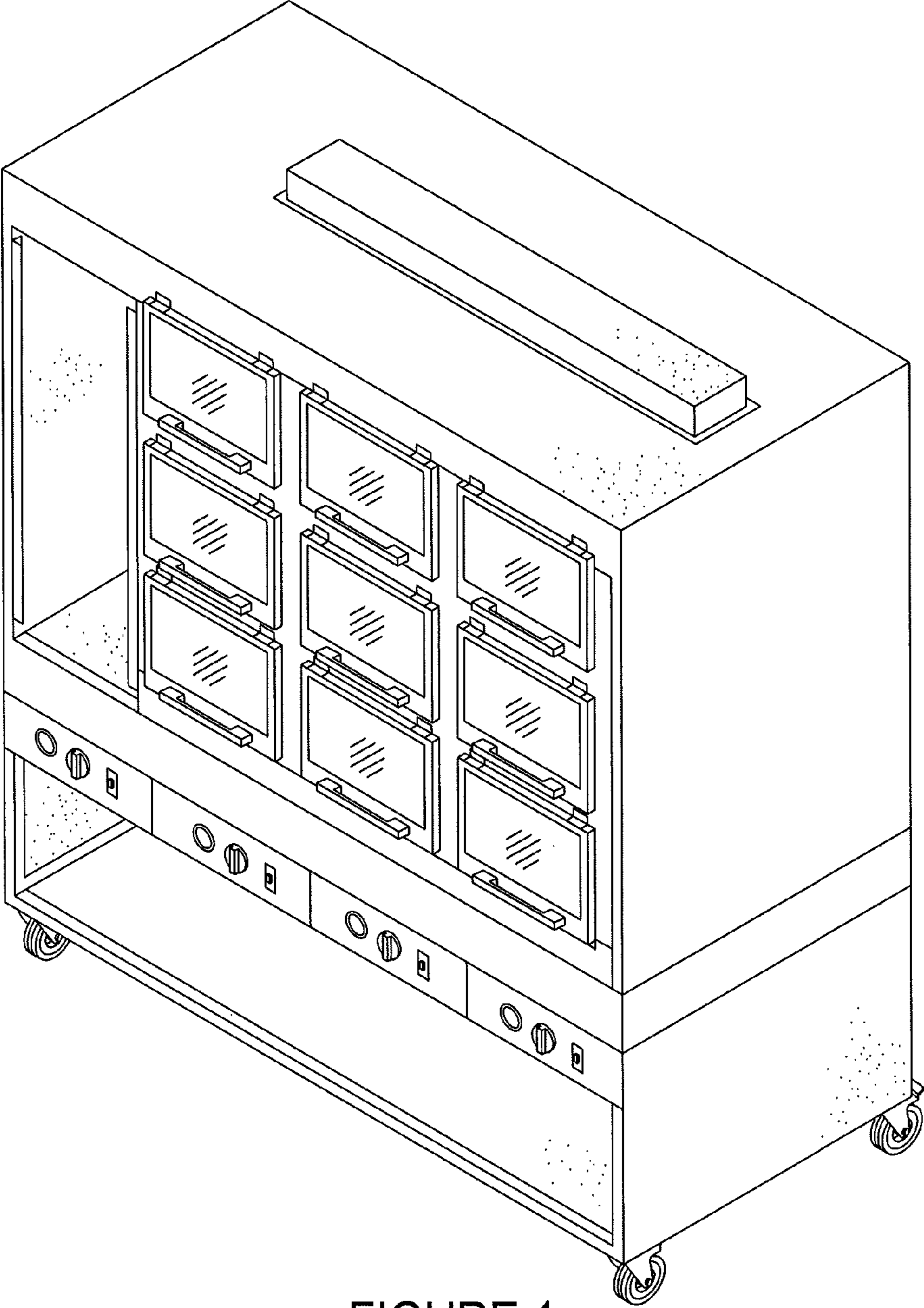


FIGURE 1

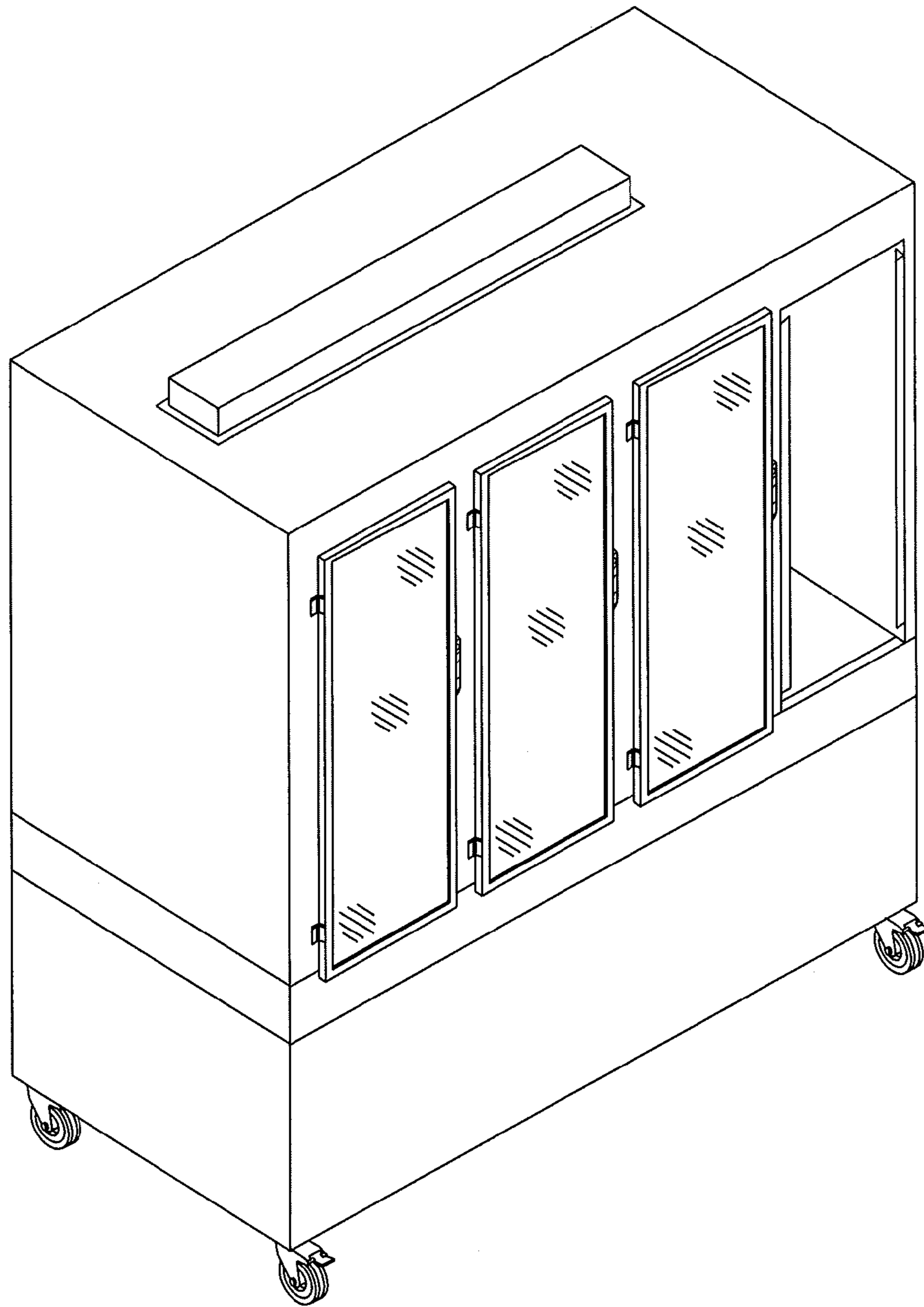


FIGURE 2

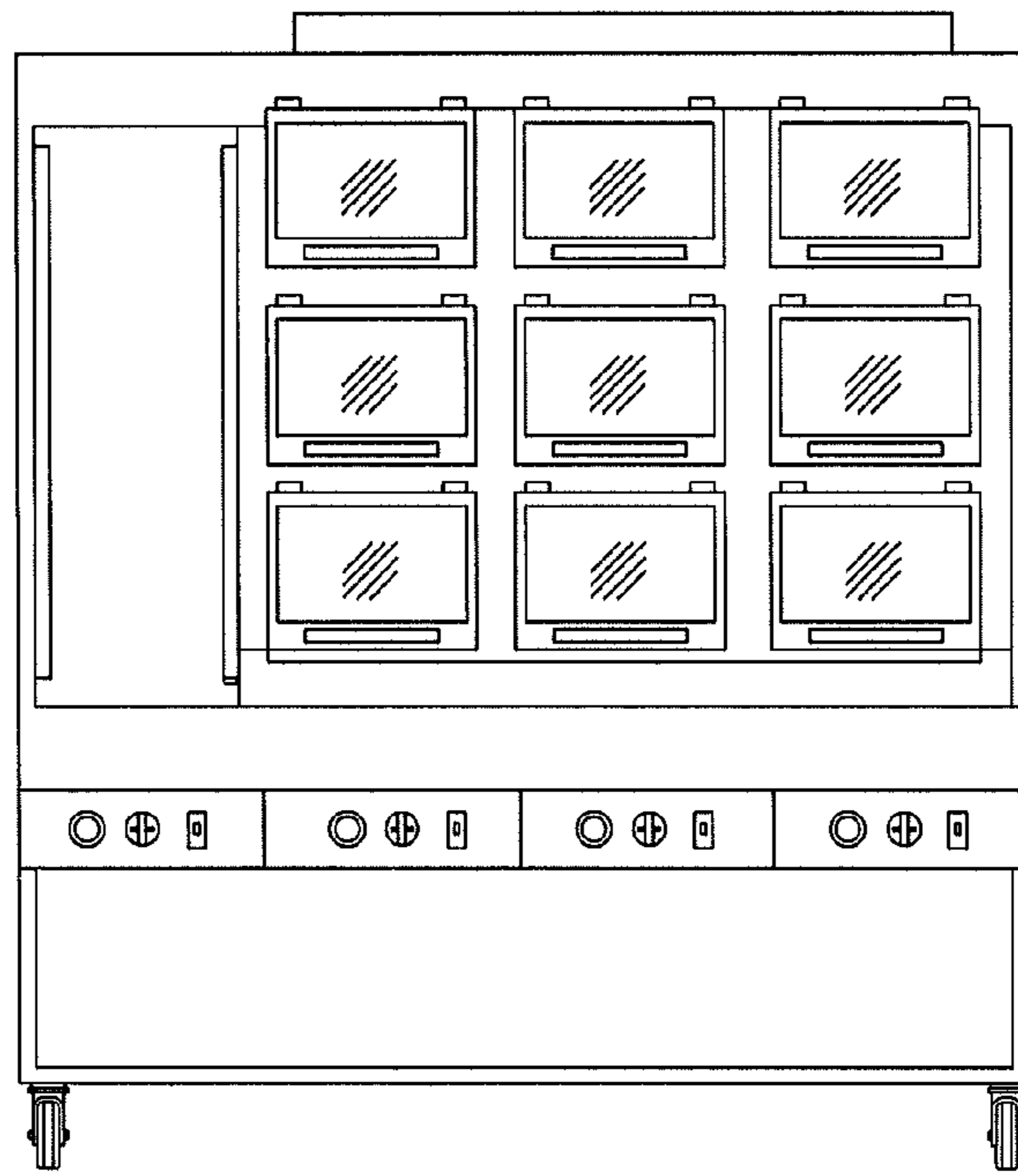


FIGURE 3

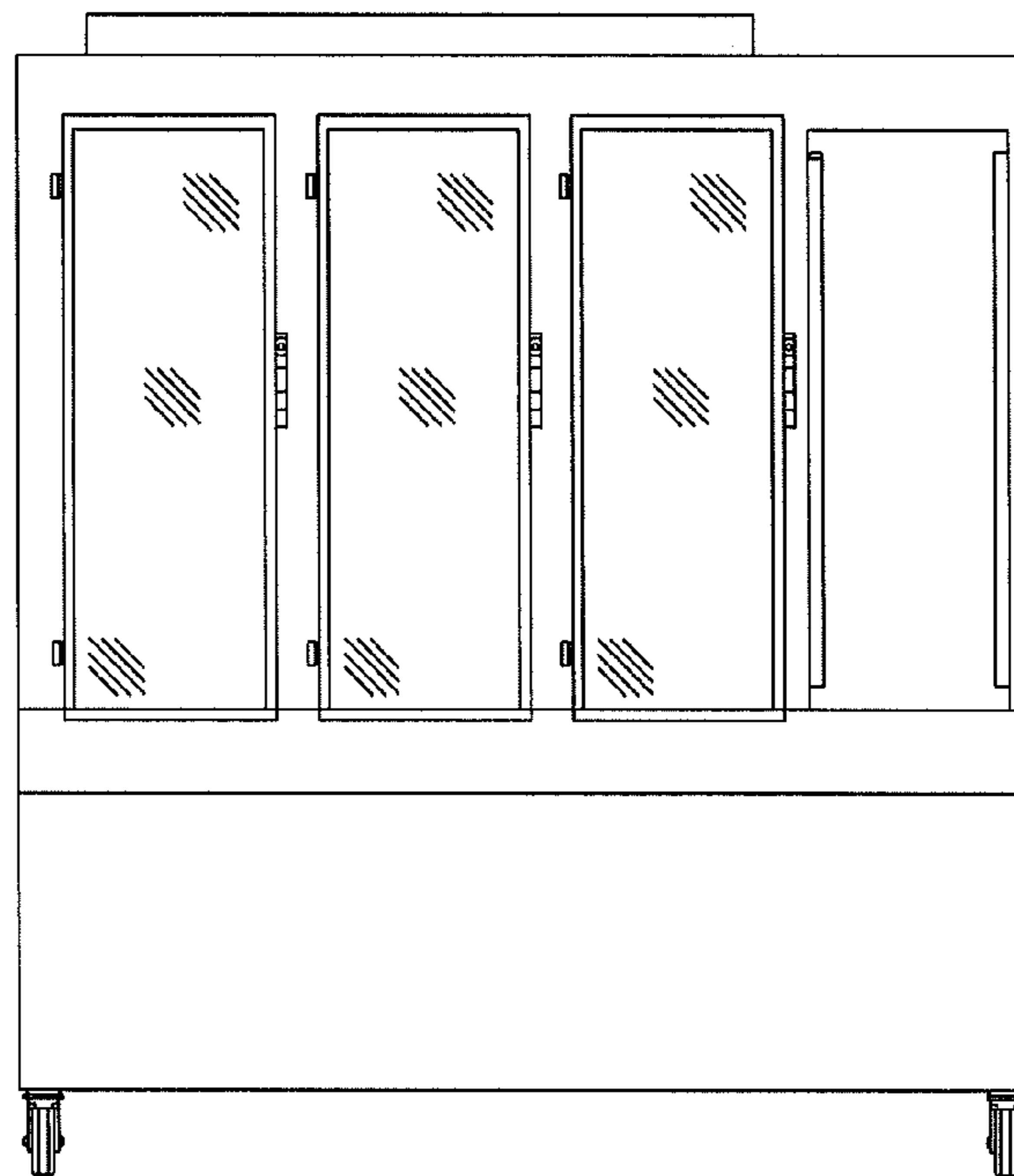


FIGURE 4

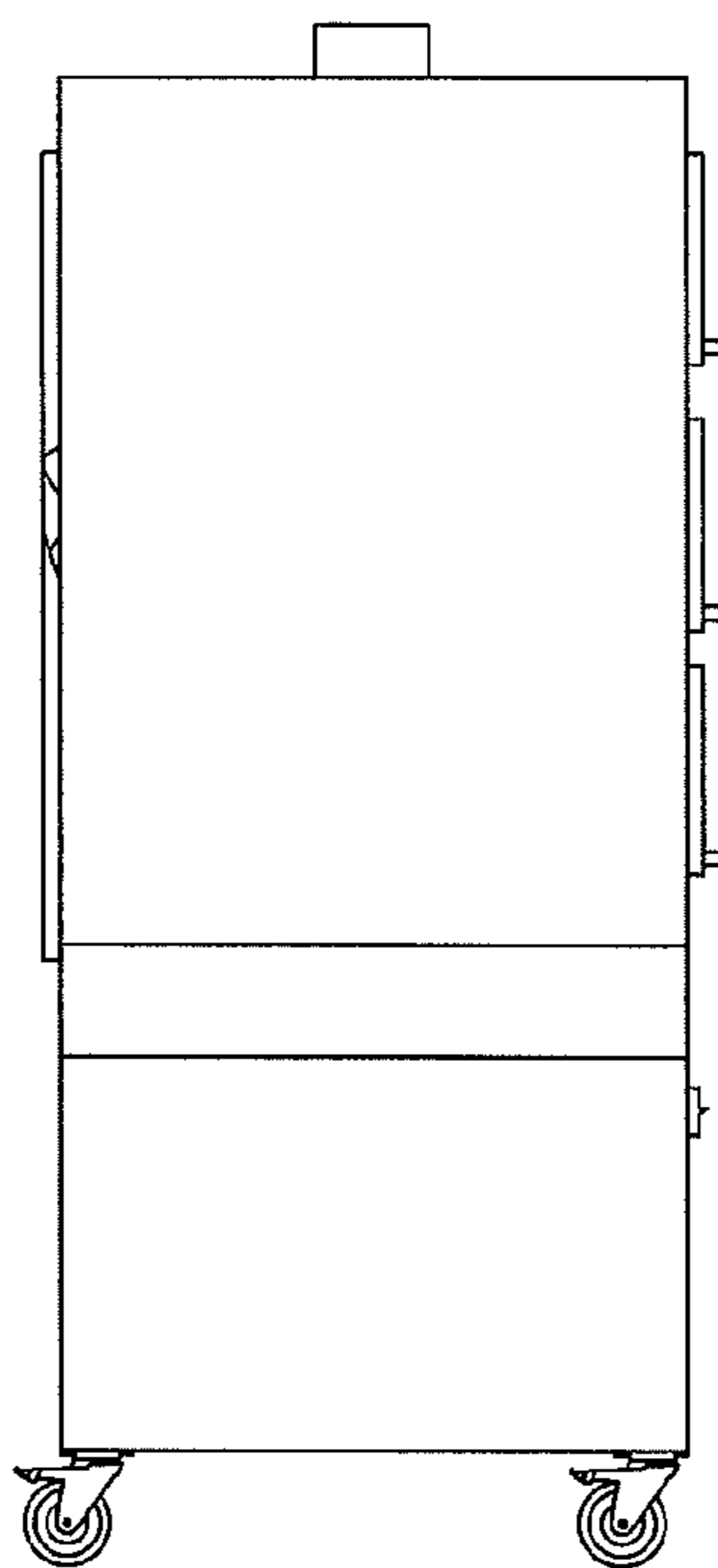


FIGURE 5

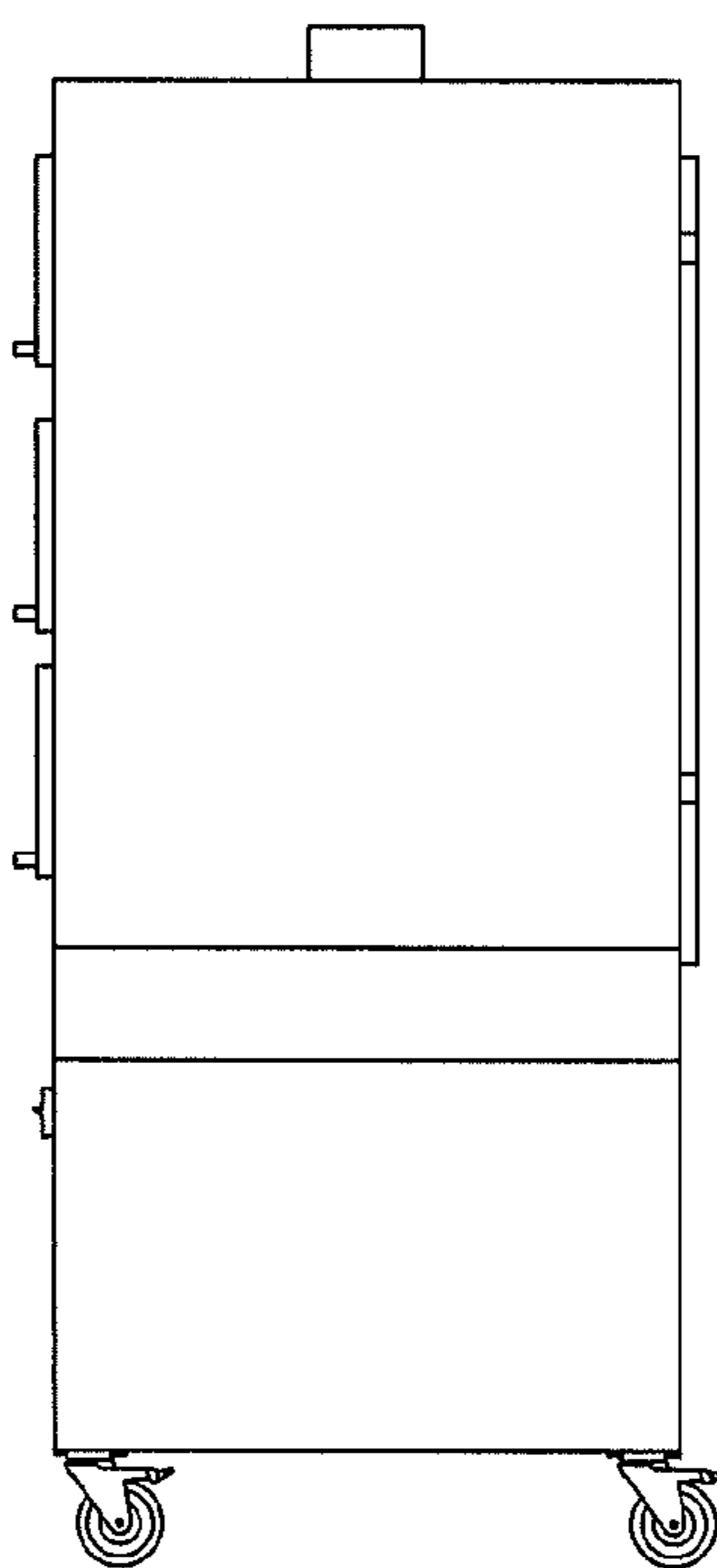


FIGURE 6

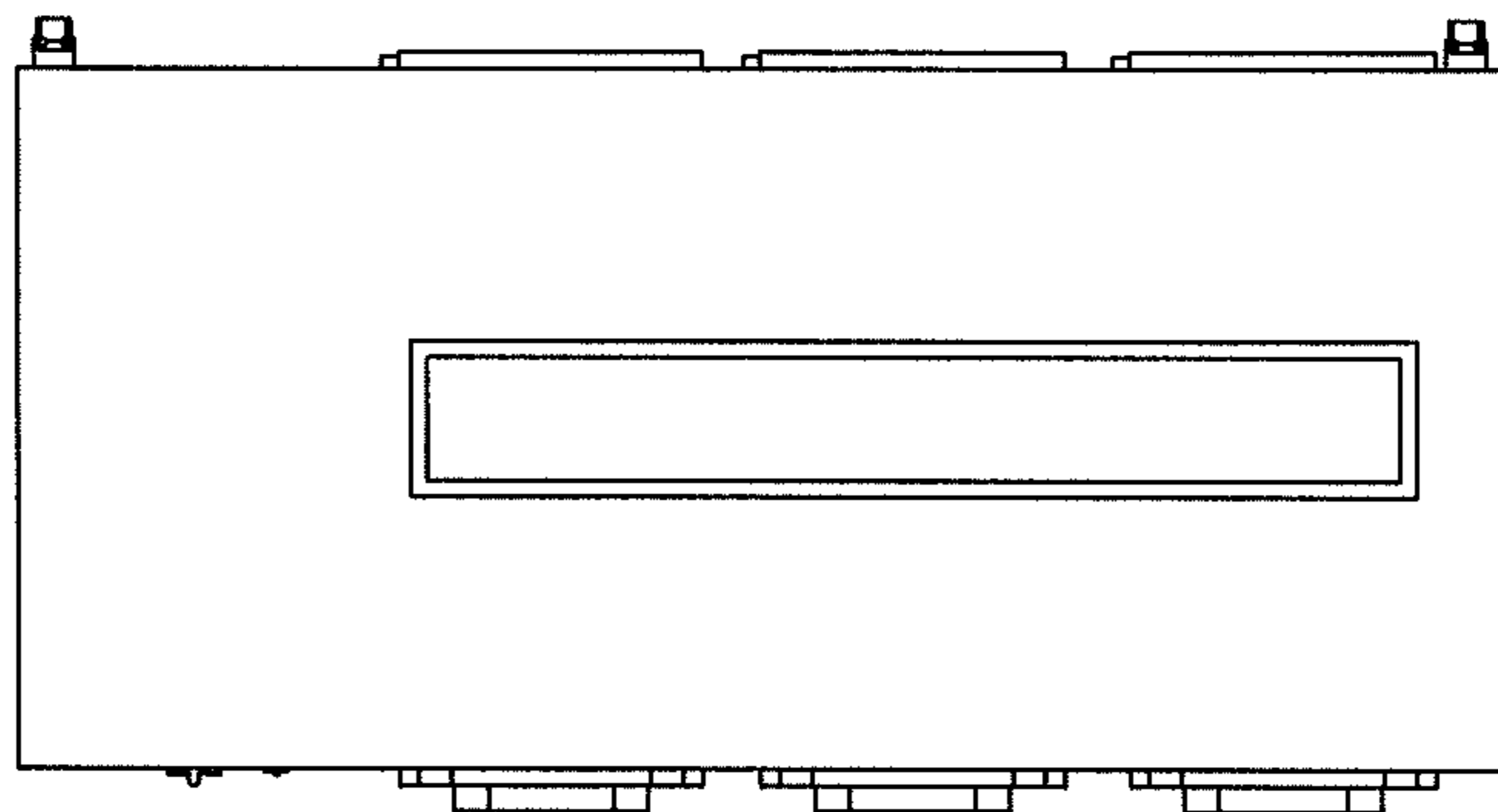


FIGURE 7

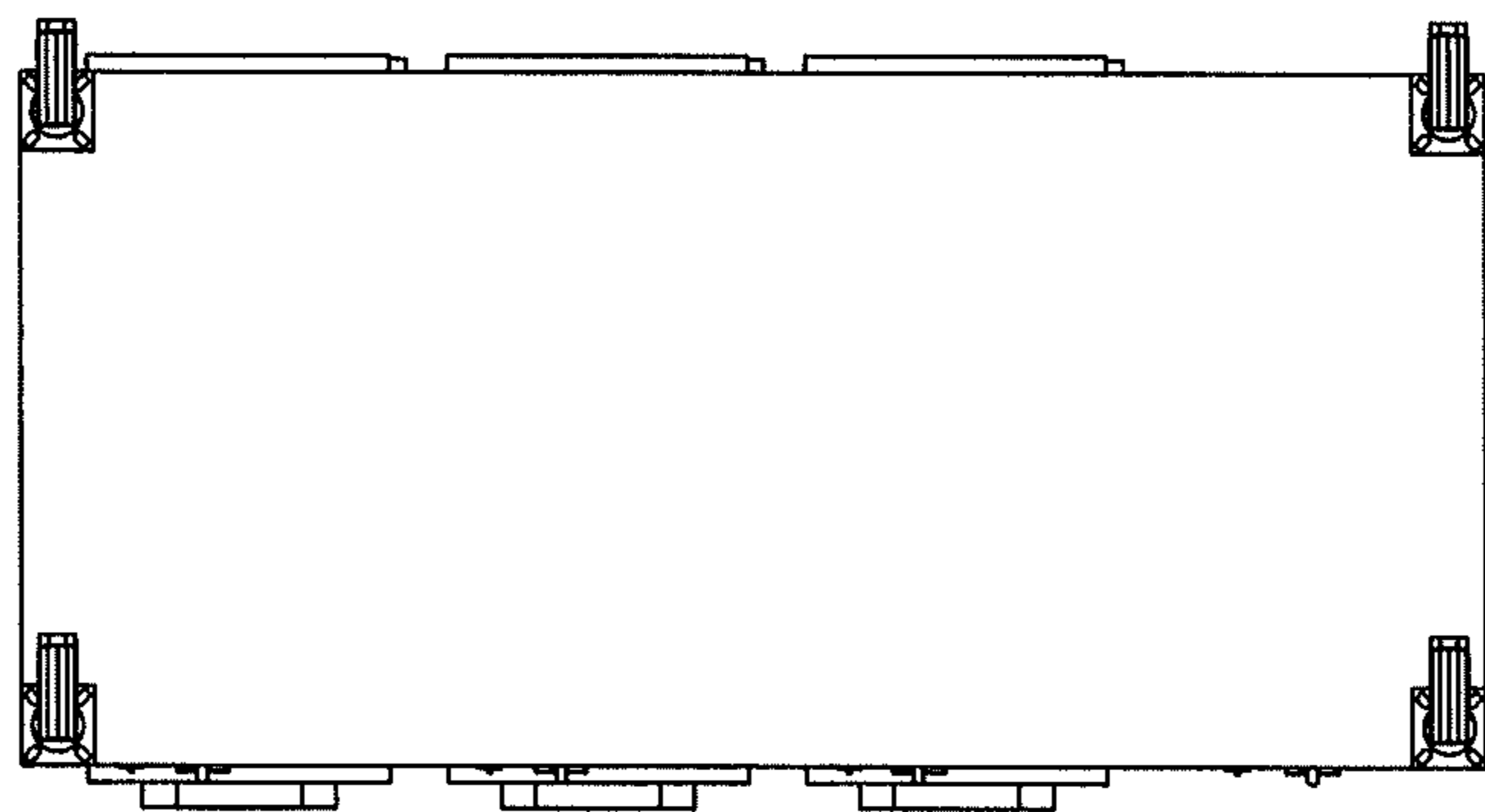


FIGURE 8