

US00D696528S

(12) **United States Design Patent**
Kassouni

(10) **Patent No.:** **US D696,528 S**
(45) **Date of Patent:** **** Dec. 31, 2013**

(54) **SPIRAL PLANTER**

(71) Applicant: **Van M. Kassouni**, Grand Rapids, MI
(US)

(72) Inventor: **Van M. Kassouni**, Grand Rapids, MI
(US)

(**) Term: **14 Years**

(21) Appl. No.: **29/454,391**

(22) Filed: **May 9, 2013**

Related U.S. Application Data

(62) Division of application No. 29/424,528, filed on Jun. 13, 2012.

(51) **LOC (9) Cl.** **11-02**

(52) **U.S. Cl.**
USPC **D6/556; D6/405**

(58) **Field of Classification Search**
USPC D6/403–405, 556–558; D8/1;
D11/143–156, 164; D19/77, 80, 81,
D19/84; D25/100; D26/9–11, 16, 19;
D34/1, 2, 4–6; D99/5, 19; 47/17, 32.4,
47/32.5, 33, 39, 41.01, 41.1, 41.11–41.15,
47/44–47, 65, 65.5, 65.9, 66.1, 66.6, 66.7,
47/67–71

See application file for complete search history.

(56) **References Cited**

U.S. PATENT DOCUMENTS

3,384,260 A 5/1968 Buffington
4,658,541 A 4/1987 Haile
D324,122 S 2/1992 Brusing

D355,791 S 2/1995 Briley
D400,822 S * 11/1998 Therrien D11/143
D407,994 S 4/1999 Adinolfi et al.
D481,971 S * 11/2003 Hartelius et al. D11/143
D573,917 S * 7/2008 Bigoski D11/143
D603,181 S * 11/2009 Carlington D6/405
D638,743 S 5/2011 Bouchard et al.
D658,537 S 5/2012 Simmons
D658,916 S 5/2012 Roverso et al.
2013/0047506 A1 2/2013 Sheaffer et al.

* cited by examiner

Primary Examiner — Garth Rademaker

(74) *Attorney, Agent, or Firm* — Gardner, Linn, Burkhardt & Flory, LLP

(57) **CLAIM**

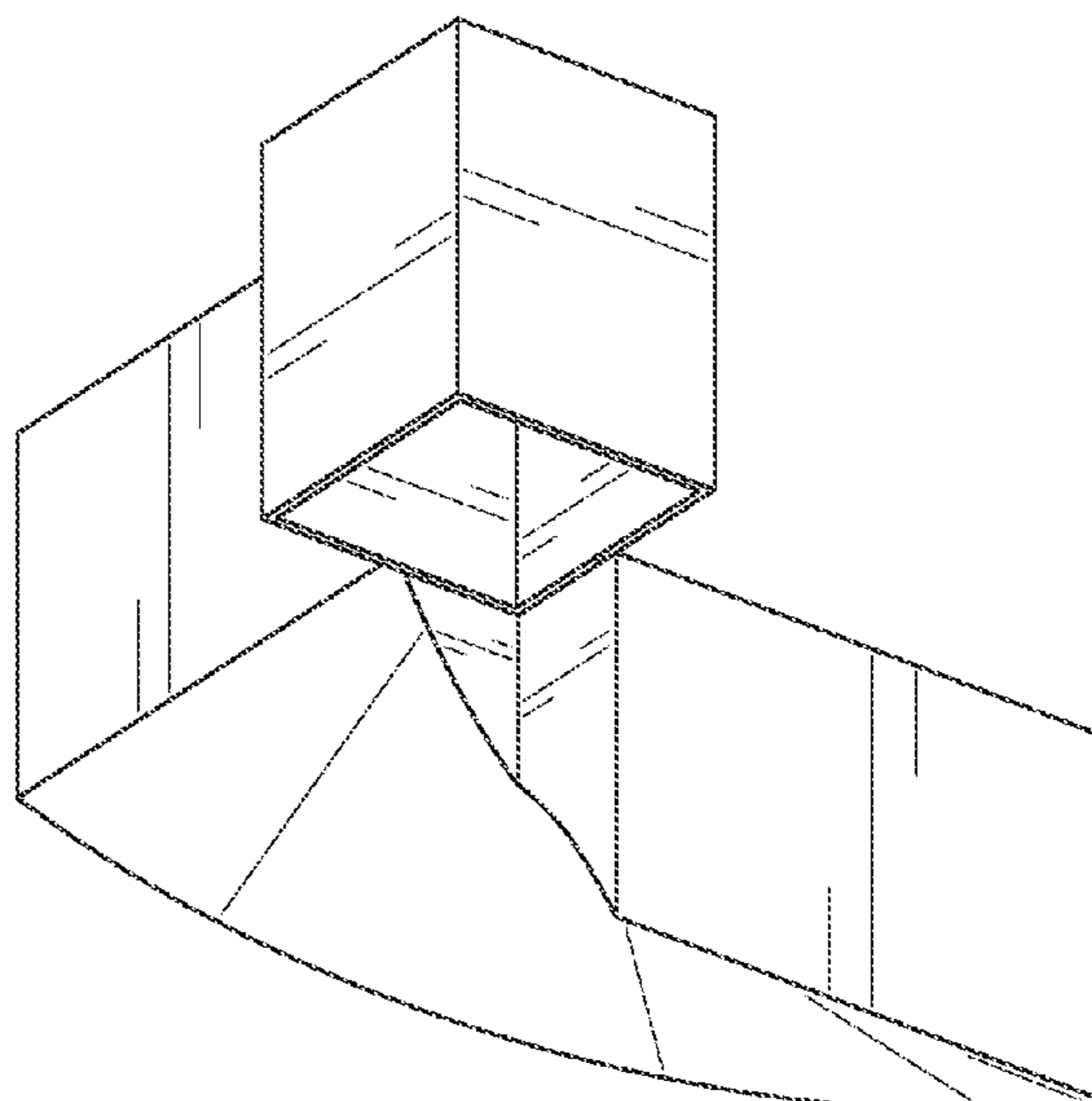
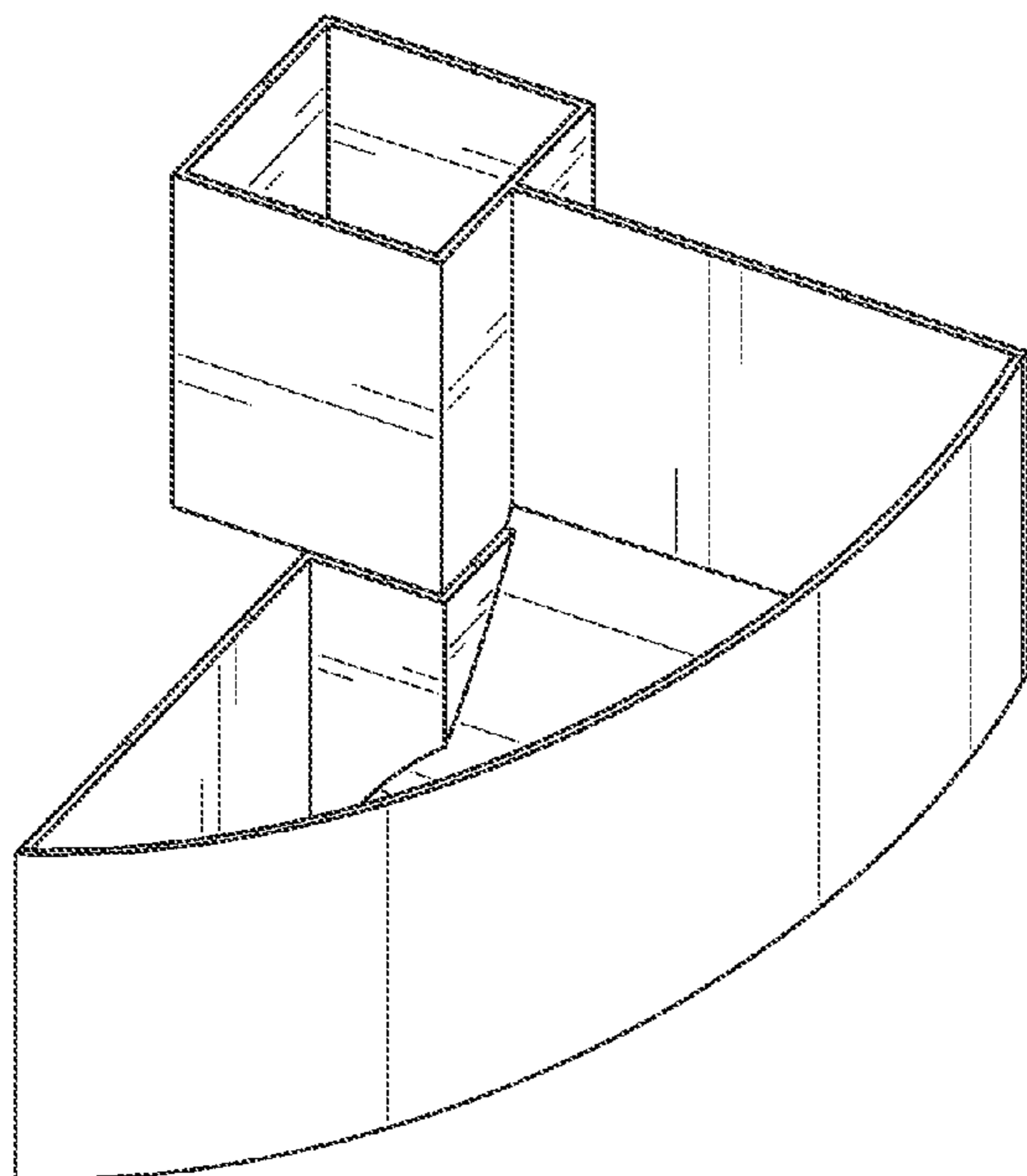
The ornamental design for a spiral planter, as shown and described.

DESCRIPTION

FIG. 1 is a perspective view of a spiral planter in accordance with the present invention, shown in an environment of use; FIG. 2 is an upper perspective view thereof; FIG. 3 is an upper perspective view thereof, shown with the environment removed; FIG. 4 is a lower perspective view thereof; FIG. 5 is a side elevation thereof; FIG. 6 is an opposite side elevation thereof; FIG. 7 is an end elevation view thereof; FIG. 8 is an opposite end elevation view thereof; FIG. 9 is a top plan view thereof; and, FIG. 10 is a bottom plan view thereof.

The broken lines in FIGS. 1 and 2 depict environmental subject matter only and form no part of the claimed design.

1 Claim, 6 Drawing Sheets



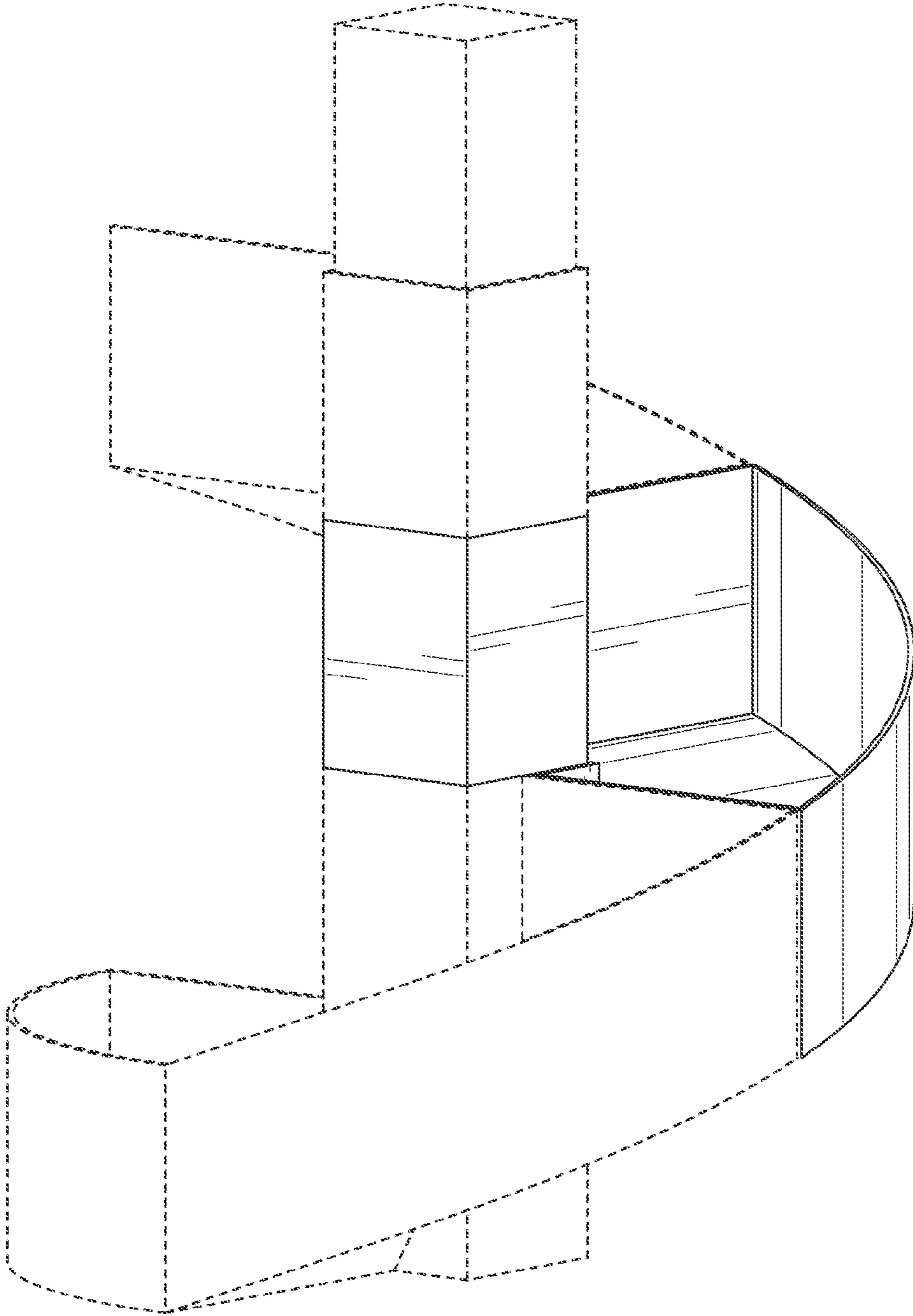


FIG. 1

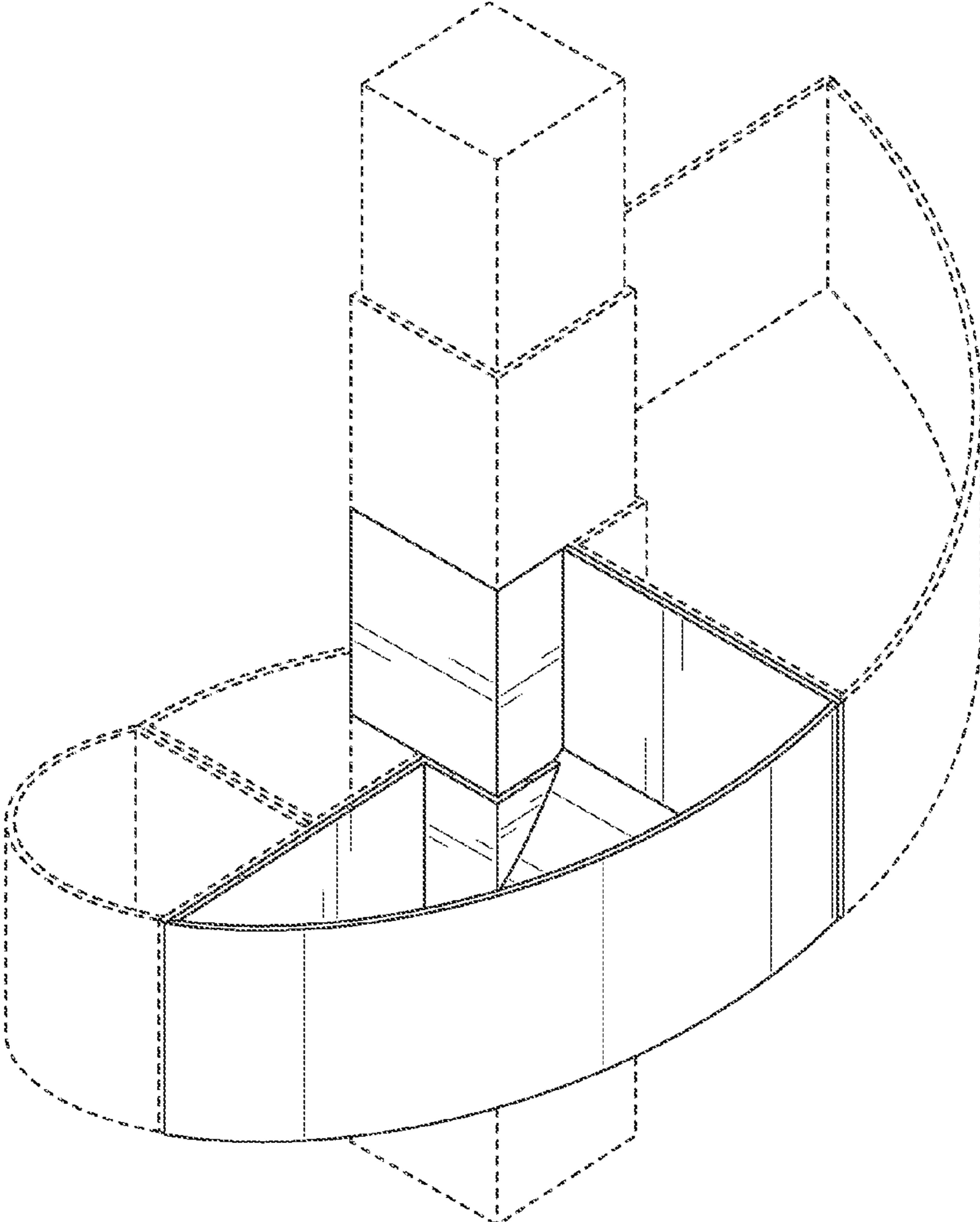


FIG. 2

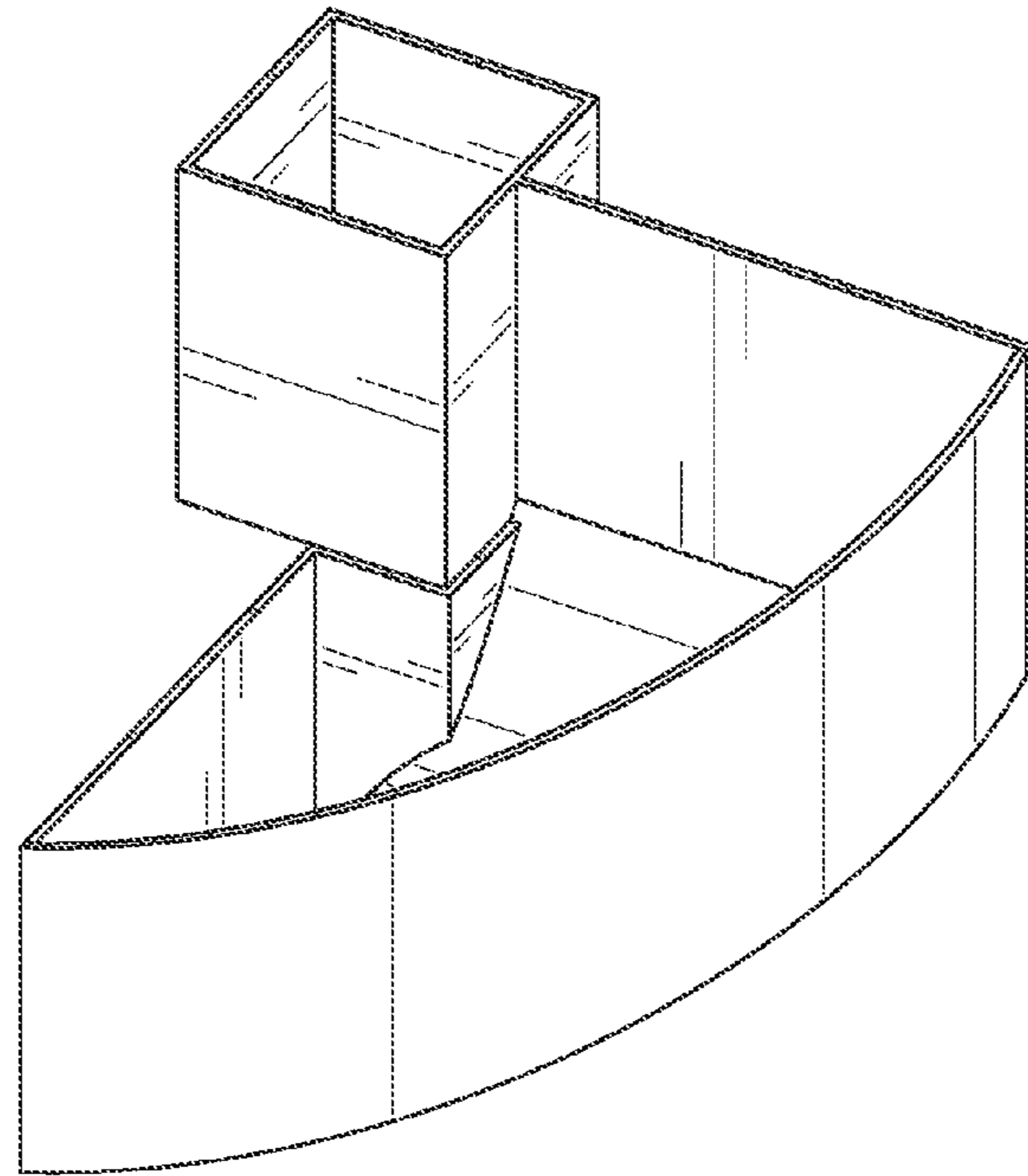


FIG. 3

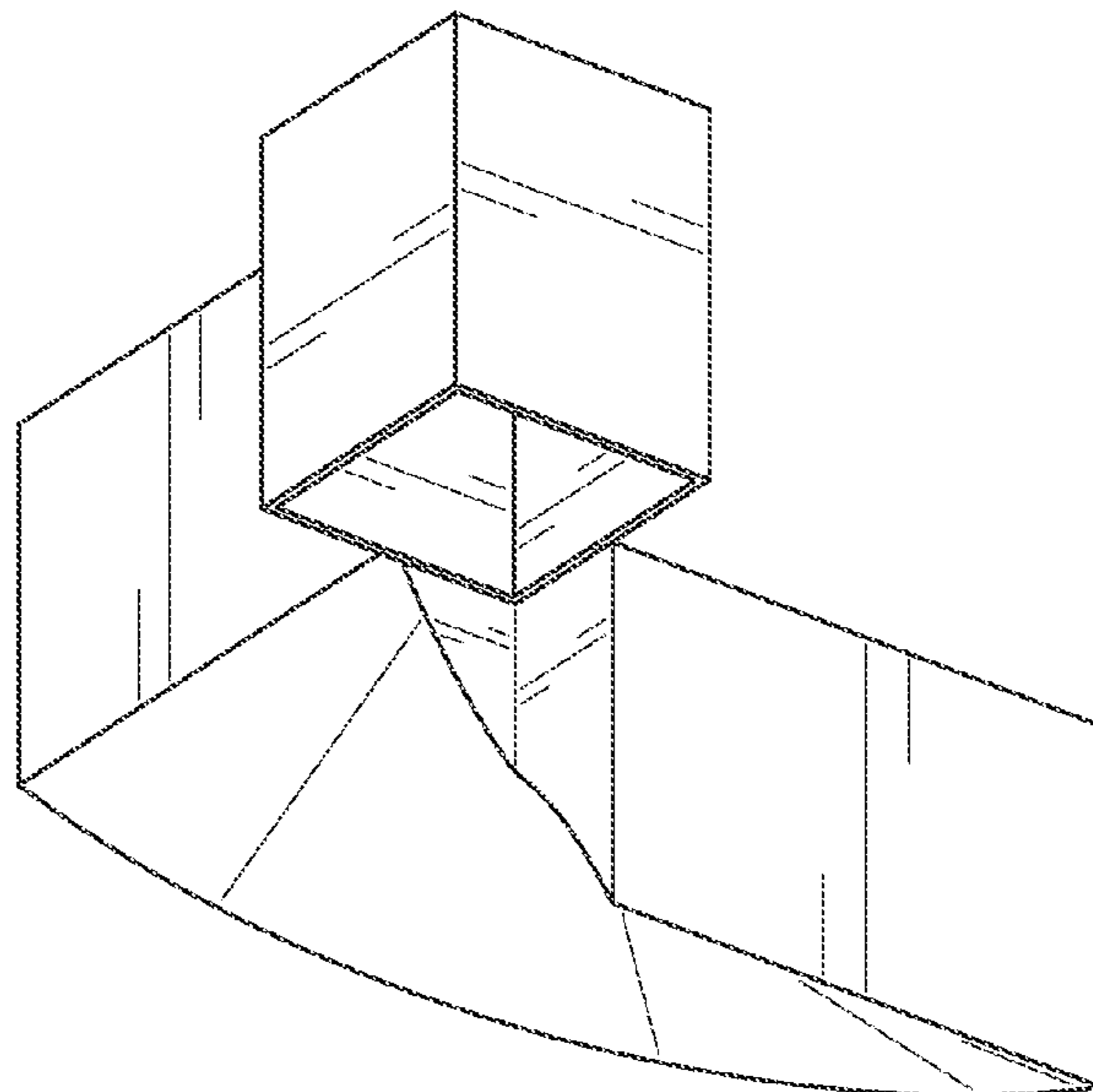


FIG. 4

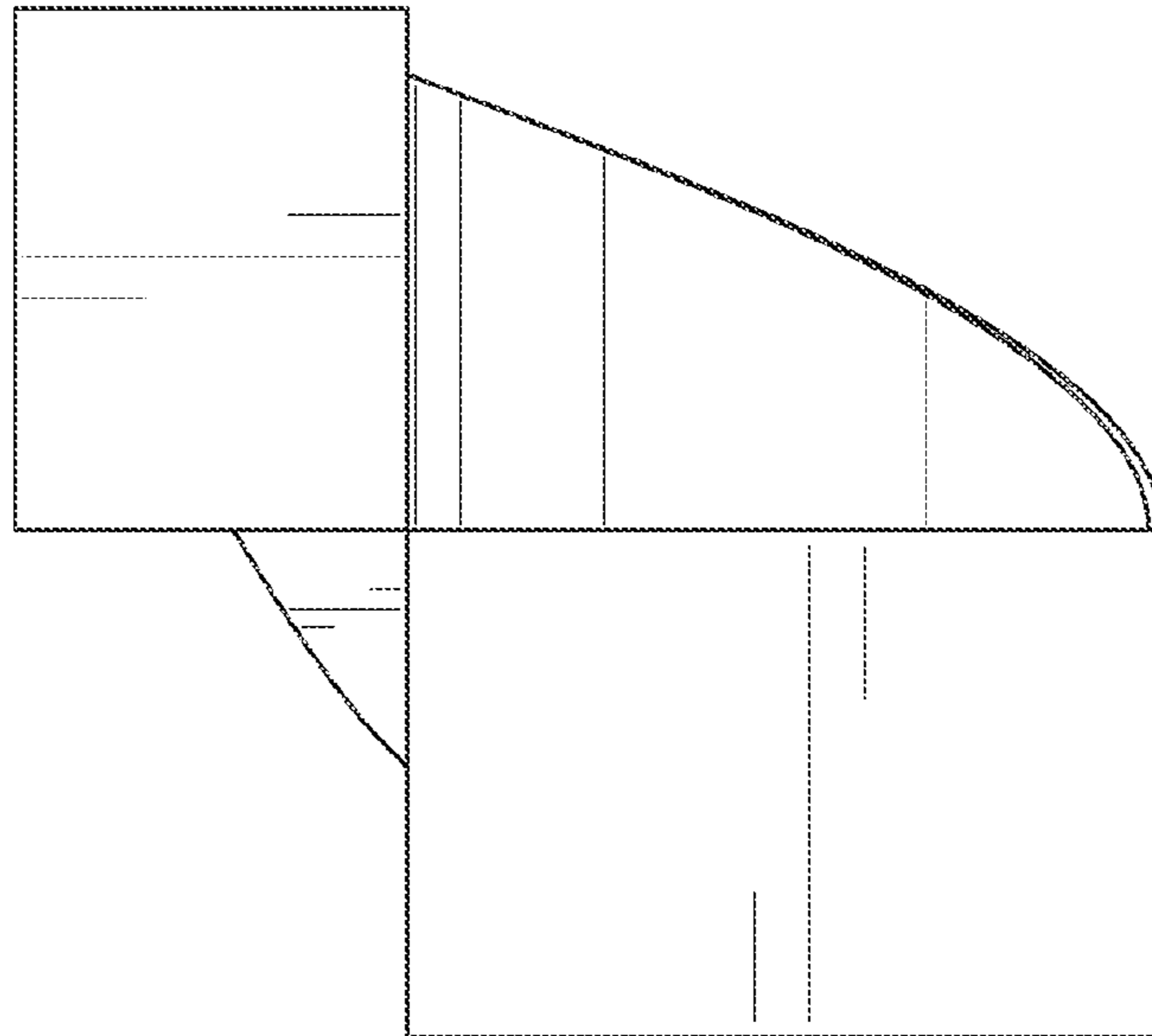


FIG. 5

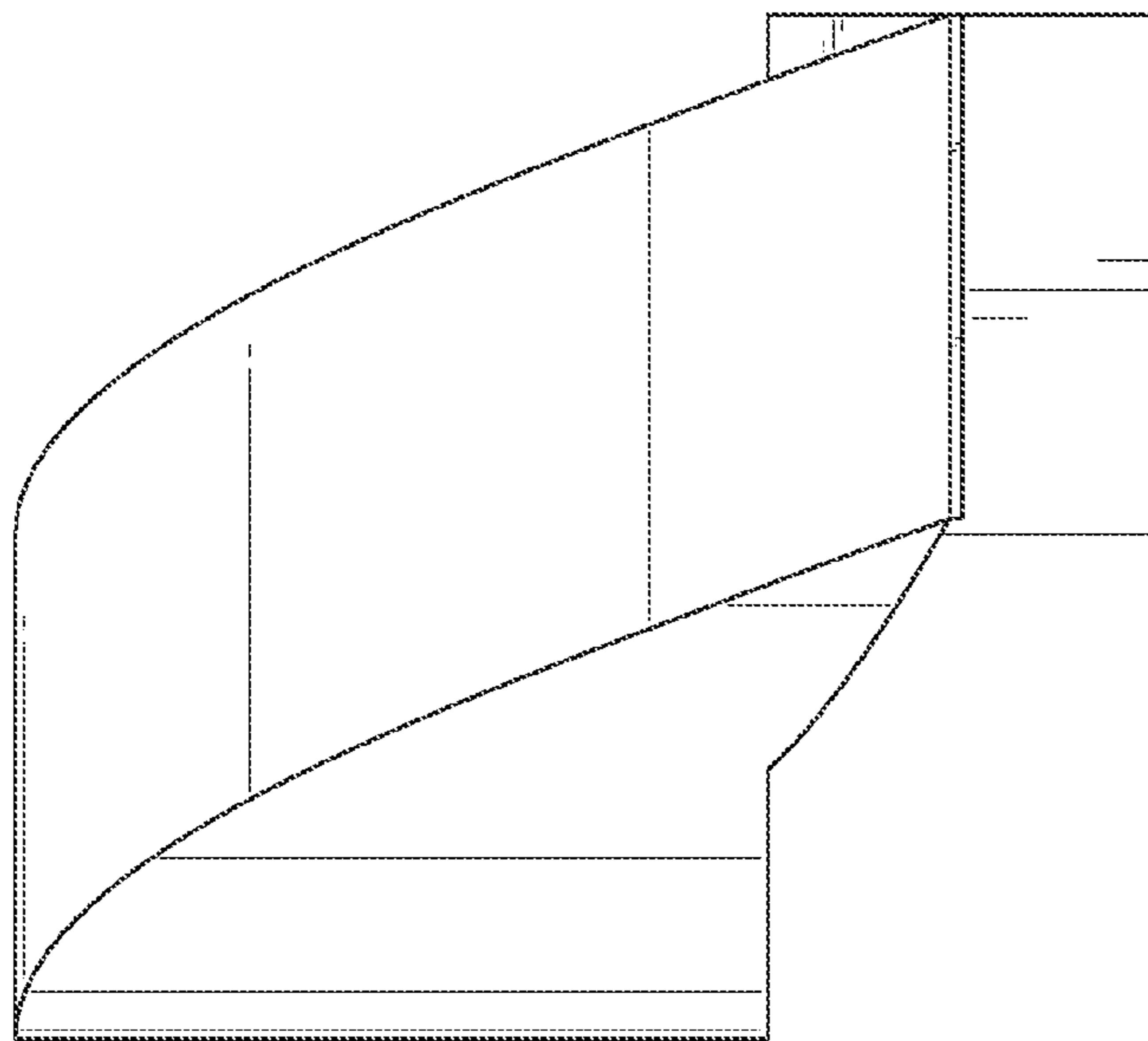


FIG. 6

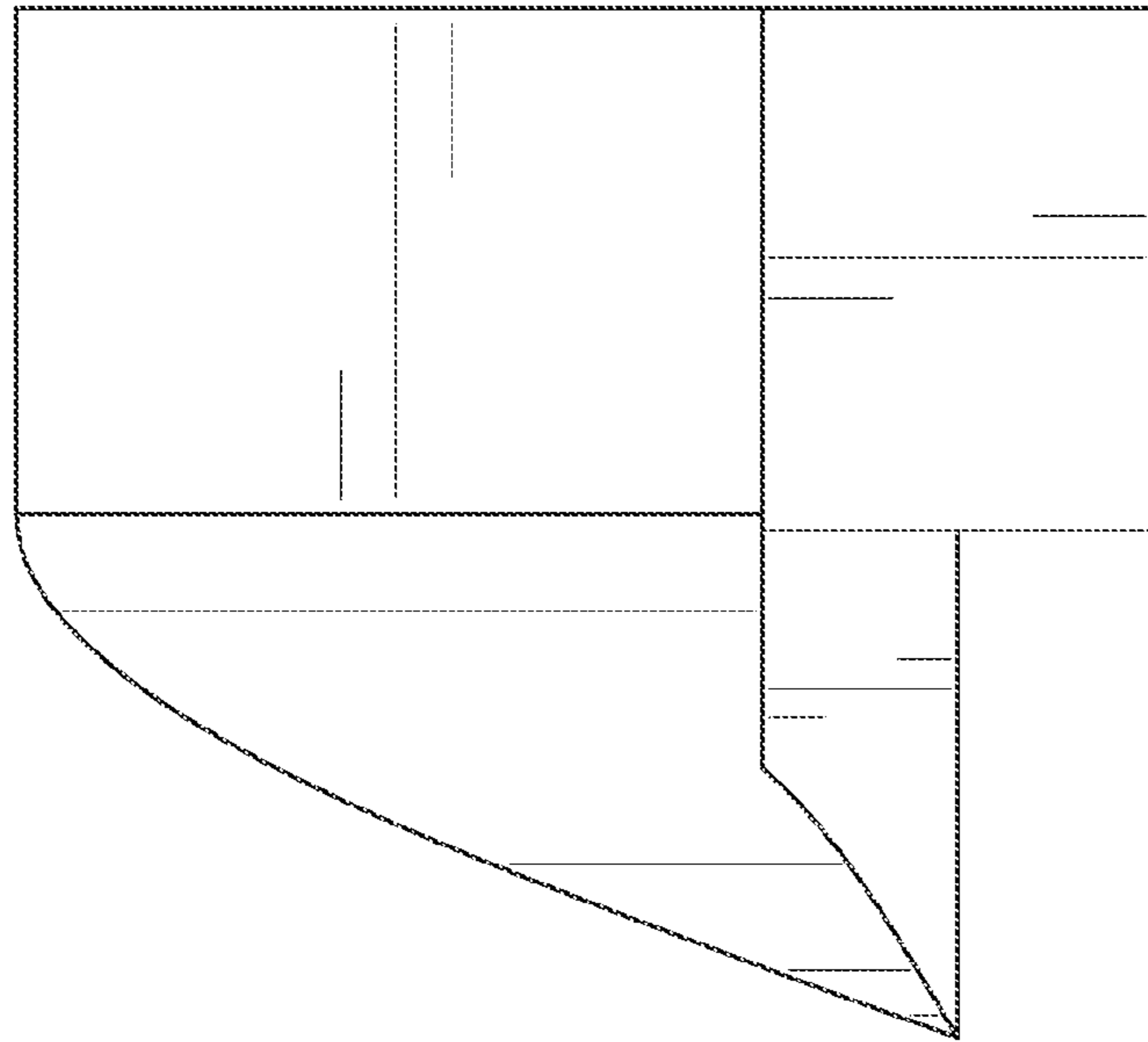


FIG. 7

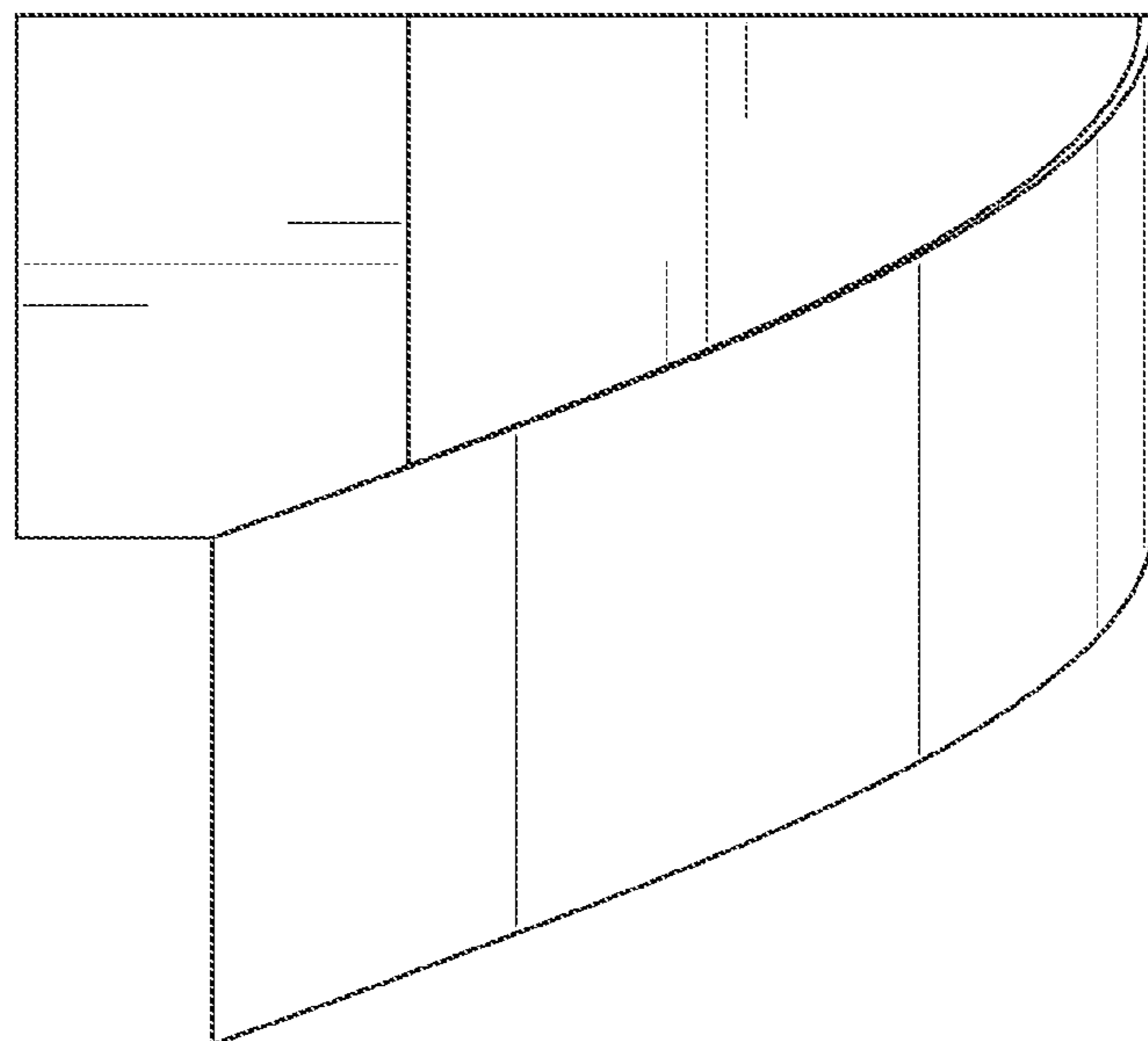


FIG. 8

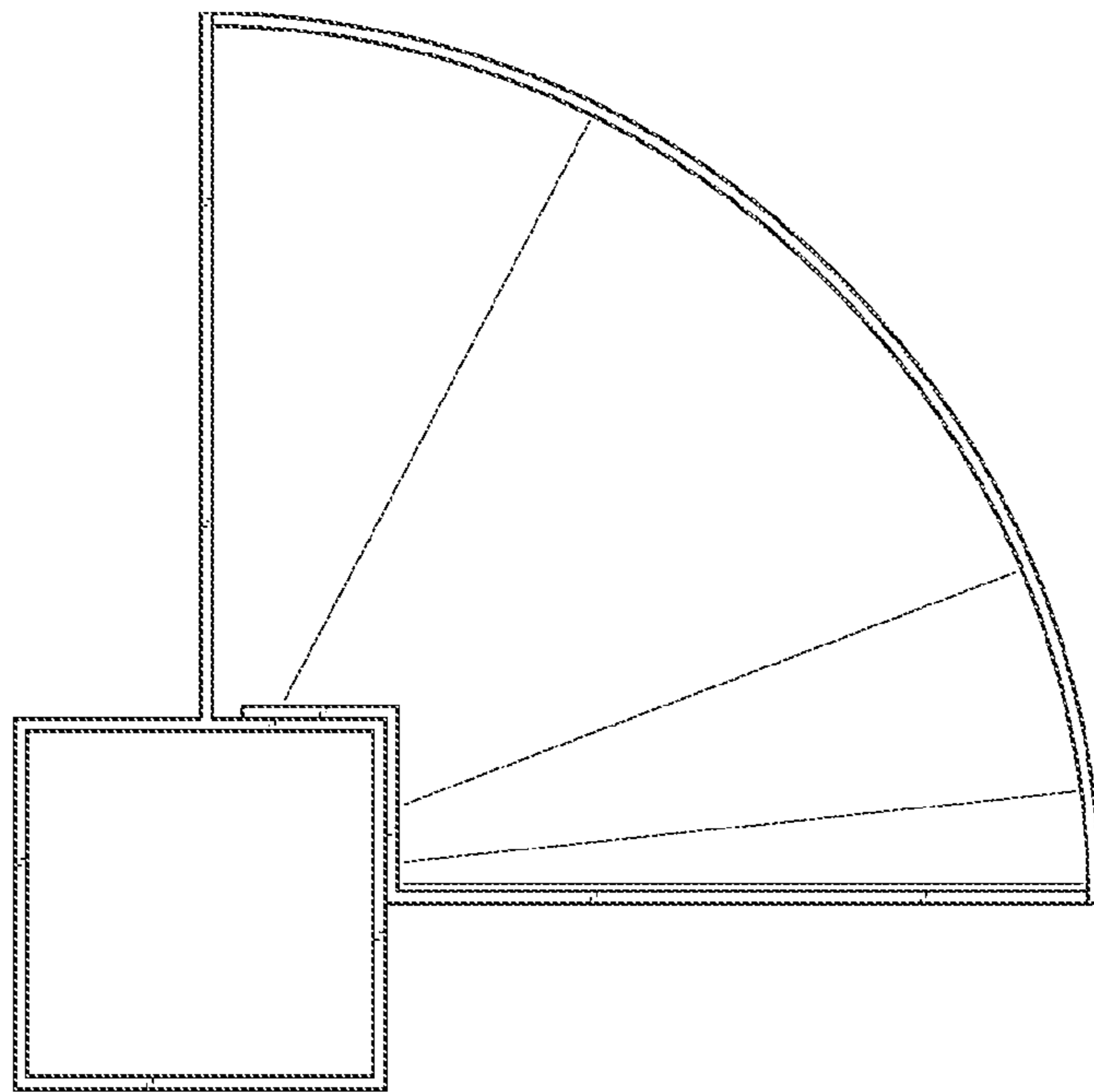


FIG. 9

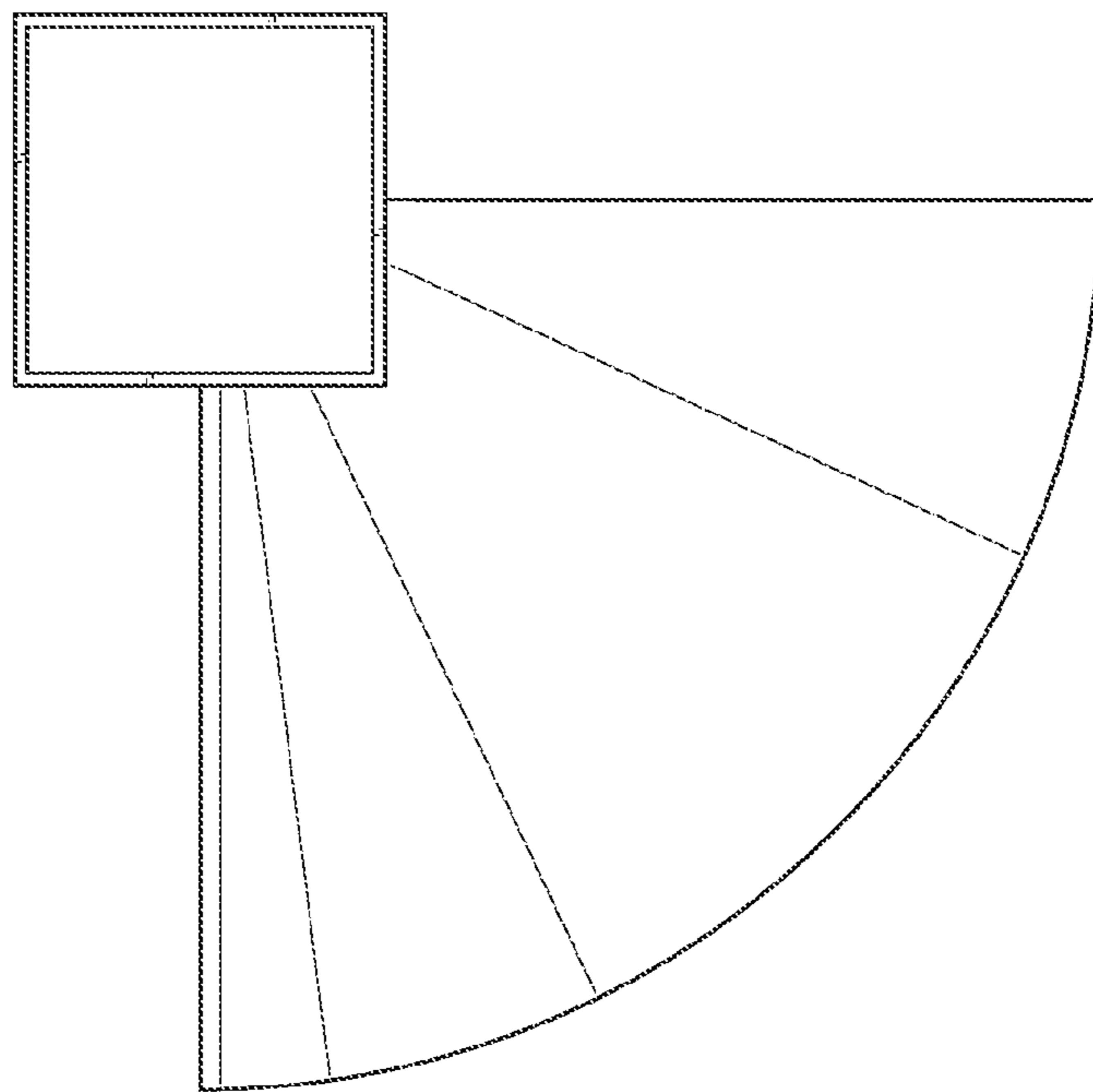


FIG. 10