



US00D696527S

(12) **United States Design Patent**
Cosper et al.

(10) **Patent No.:** **US D696,527 S**
(45) **Date of Patent:** **** Dec. 31, 2013**

(54) **RAZOR MAINTENANCE DEVICE**
(71) Applicants: **Steve Cosper**, LaGrange, GA (US);
Mark Best, Merritt Island, FL (US)

(72) Inventors: **Steve Cosper**, LaGrange, GA (US);
Mark Best, Merritt Island, FL (US)

(73) Assignee: **Steve Cosper**, LaGrange, GA (US)

(**) Term: **14 Years**

(21) Appl. No.: **29/438,343**

(22) Filed: **Nov. 29, 2012**

(51) **LOC (9) Cl.** **28-03**

(52) **U.S. Cl.**
USPC **D6/526**

(58) **Field of Classification Search**
USPC D6/526, 524, 540, 534, 528; 211/13.1,
211/70.6, 87.01, 89.01, 66, 86.01; 248/200,
248/205.5, 309.1, 314, 127, 176.1; D9/749;
206/208, 209, 228, 361, 362, 362.1,
206/362.2, 362.3

See application file for complete search history.

(56) **References Cited**

U.S. PATENT DOCUMENTS

5,007,533	A	4/1991	Purohit	
D335,599	S *	5/1993	Novak	D6/526
D345,269	S *	3/1994	Novak	D6/526
5,934,459	A	8/1999	Winsell	
6,145,657	A	11/2000	Cox	
7,559,330	B1	7/2009	Christensen	
D675,048	S *	1/2013	Coresh	D6/526
2008/0189965	A1	8/2008	Trissel	

* cited by examiner

Primary Examiner — Brian N Vinson

(74) *Attorney, Agent, or Firm* — Brian S. Steinberger; Law
Offices of Brian S. Steinberger, P.A.

(57) **CLAIM**

The ornamental design for a razor maintenance device, as shown and described.

DESCRIPTION

FIG. 1 is a top, front, and left side perspective view of a razor maintenance device showing our new design;
 FIG. 2 is top, rear, and left side perspective view thereof;
 FIG. 3 is a top, rear, and right side perspective view thereof;
 FIG. 4 is a top, front, and right side perspective view thereof;
 FIG. 5 is a right side elevational view thereof;
 FIG. 6 is a top plan view thereof;
 FIG. 7 is a front elevational view thereof;
 FIG. 8 is a rear elevational view thereof;
 FIG. 9 is an exploded top, rear, and right side perspective view thereof, with the basket insert shown detached from the razor maintenance device;
 FIG. 10 is top, front, and right side perspective view thereof, with the basket insert shown resting on the top of the razor maintenance device;
 FIG. 11 is top, front, and left side perspective view thereof, with the basket insert omitted for clarity of illustration;
 FIG. 12 is a top, rear, and left side perspective view thereof, with the basket insert omitted for clarity of illustration;
 FIG. 13 is a top, rear, and right side perspective view thereof, with the basket insert omitted for clarity of illustration;
 FIG. 14 is a top, front, and right side perspective view thereof, with the basket insert omitted for clarity of illustration;
 FIG. 15 is a right side elevational view thereof, with the basket insert omitted for clarity of illustration;
 FIG. 16 is a top plan view thereof, with the basket insert omitted for clarity of illustration;
 FIG. 17 is a front elevational view thereof, with the basket insert omitted for clarity of illustration;
 FIG. 18 is a rear elevational view thereof, with the basket insert omitted for clarity of illustration;
 FIG. 19 is a top, rear, and left side perspective view of the basket insert, with the remainder of the razor maintenance device omitted for clarity of illustration;
 FIG. 20 is an additional top, rear, and right side perspective view of the basket insert, with the remainder of the razor maintenance device omitted for clarity of illustration;

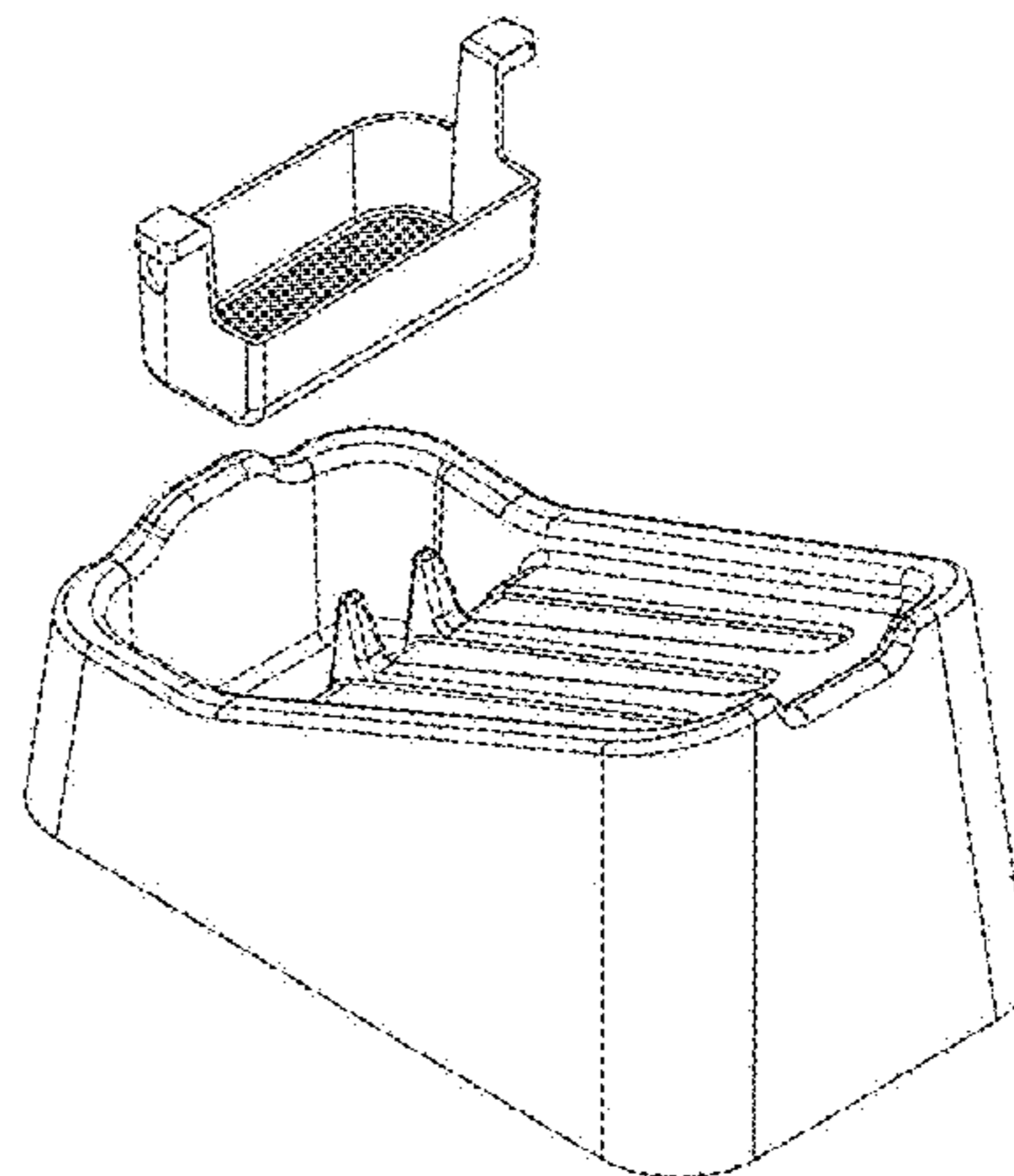
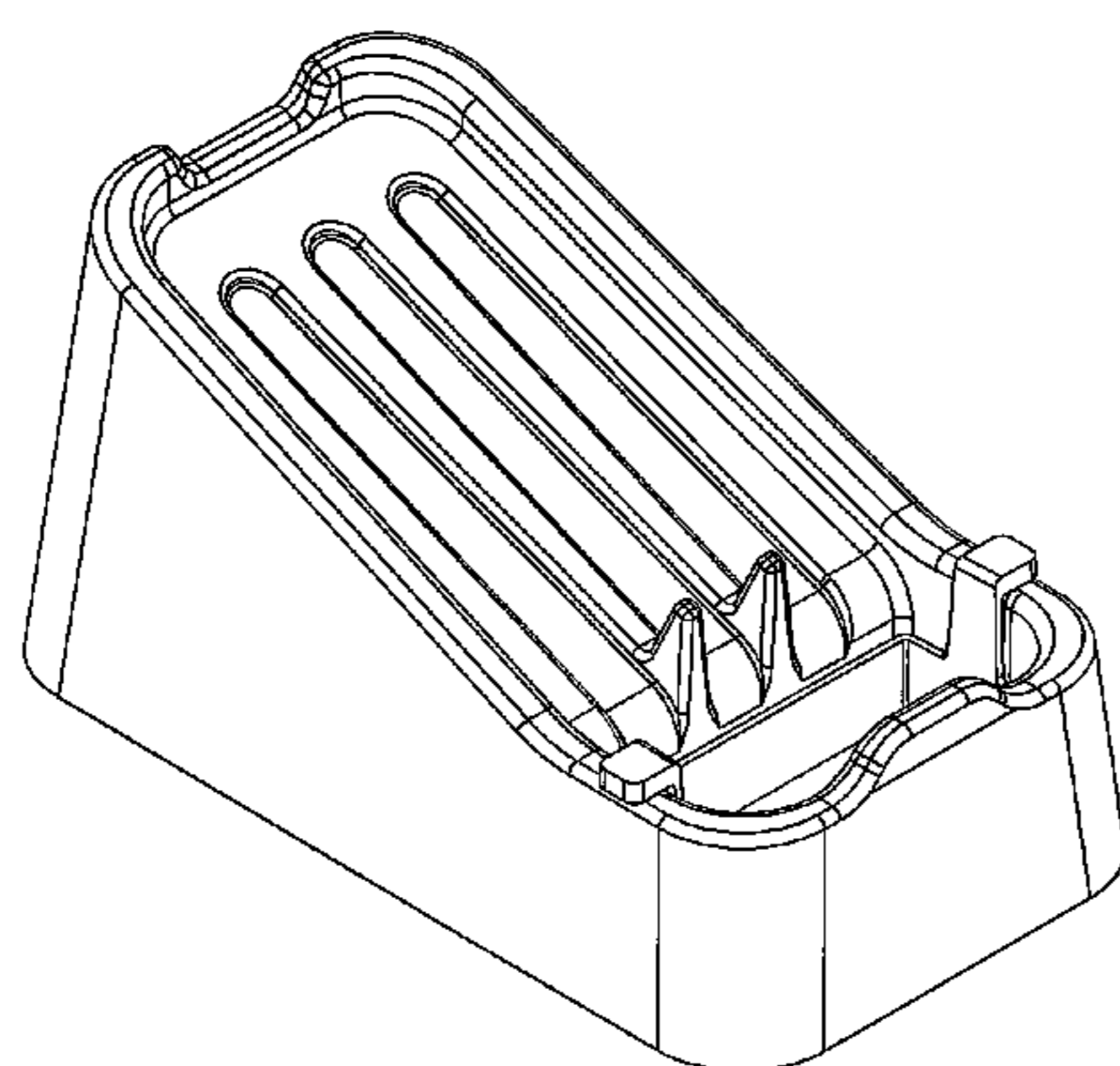


FIG. **21** is a top, front, and right side perspective view of the basket insert, with the remainder of the razor maintenance device omitted for clarity of illustration;

FIG. **22** is a top, front, and left side perspective view of the basket insert, with the remainder of the razor maintenance device omitted for clarity of illustration;

FIG. **23** is a front elevational view of the basket insert, with the remainder of the razor maintenance device omitted for clarity of illustration;

FIG. **24** is a top plan view of the basket insert, with the remainder of the razor maintenance device omitted for clarity of illustration;

FIG. **25** is a bottom plan view of the basket insert, with the remainder of the razor maintenance device omitted for clarity of illustration;

FIG. **26** is a right side elevational view of the basket insert, with the remainder of the razor maintenance device omitted for clarity of illustration; and,

FIG. **27** is a left side elevational view of the basket insert, with the remainder of the razor maintenance device omitted for clarity of illustration.

1 Claim, 24 Drawing Sheets

FIG. 1

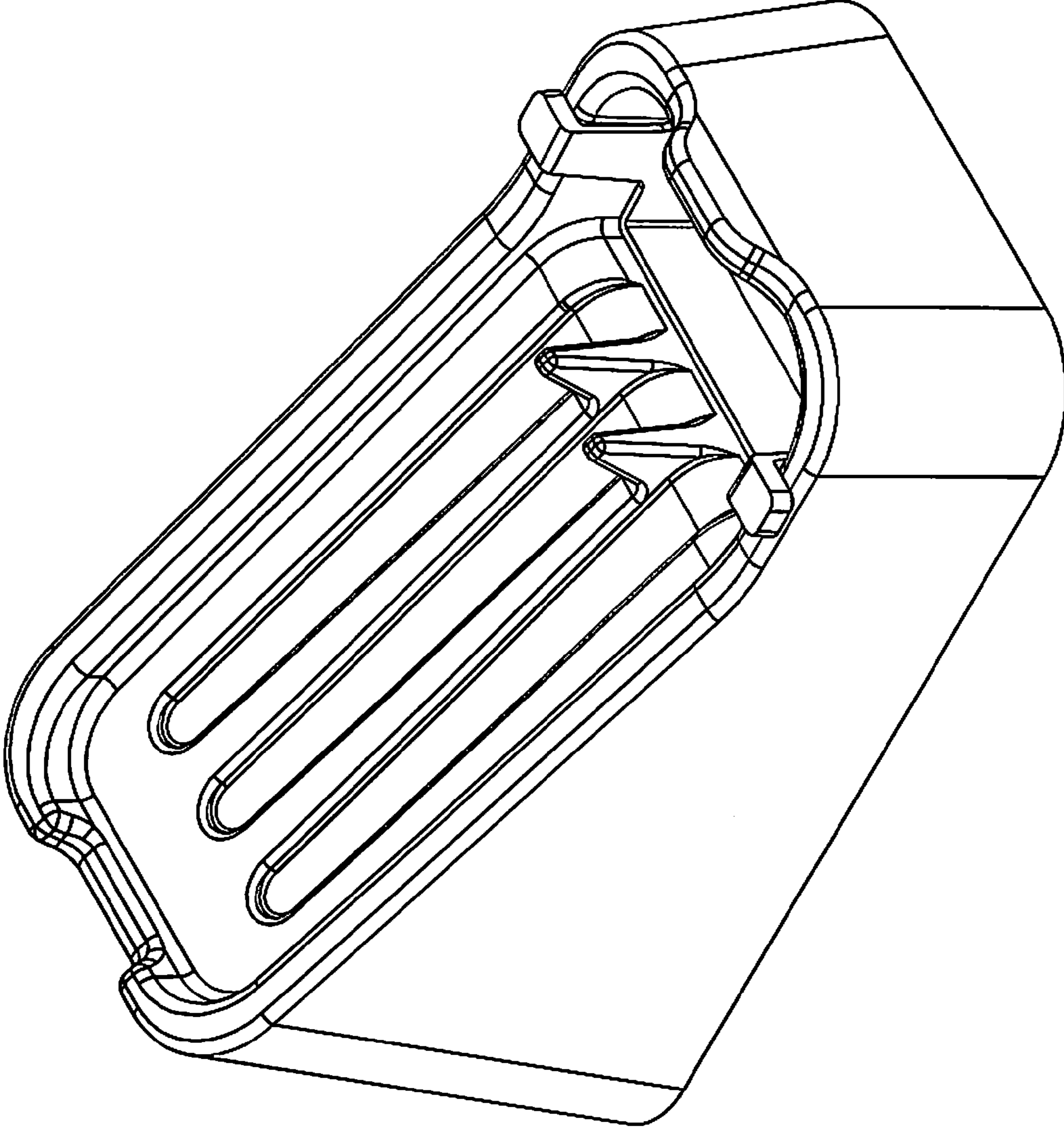


FIG. 2

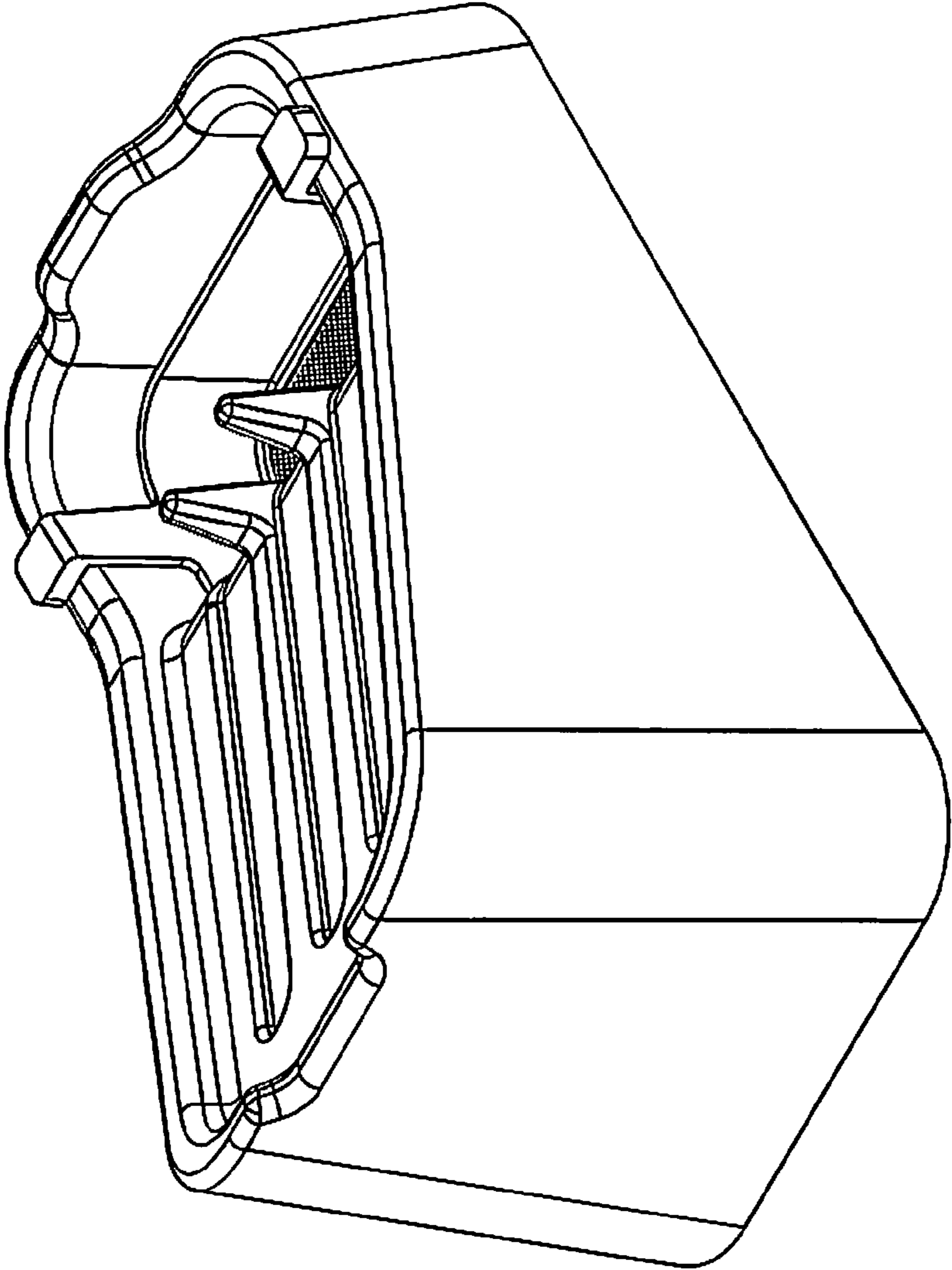


FIG. 3

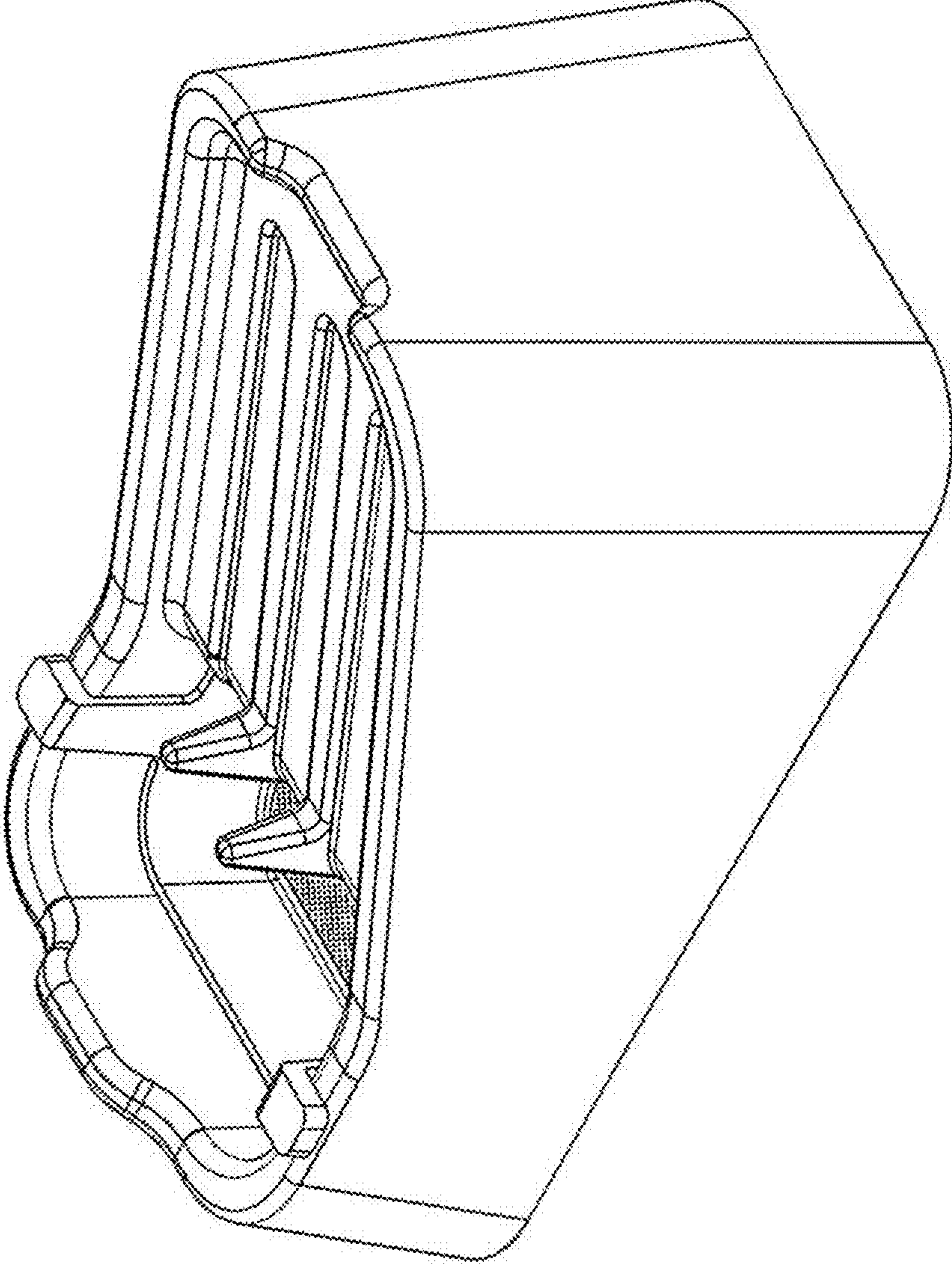


FIG. 4

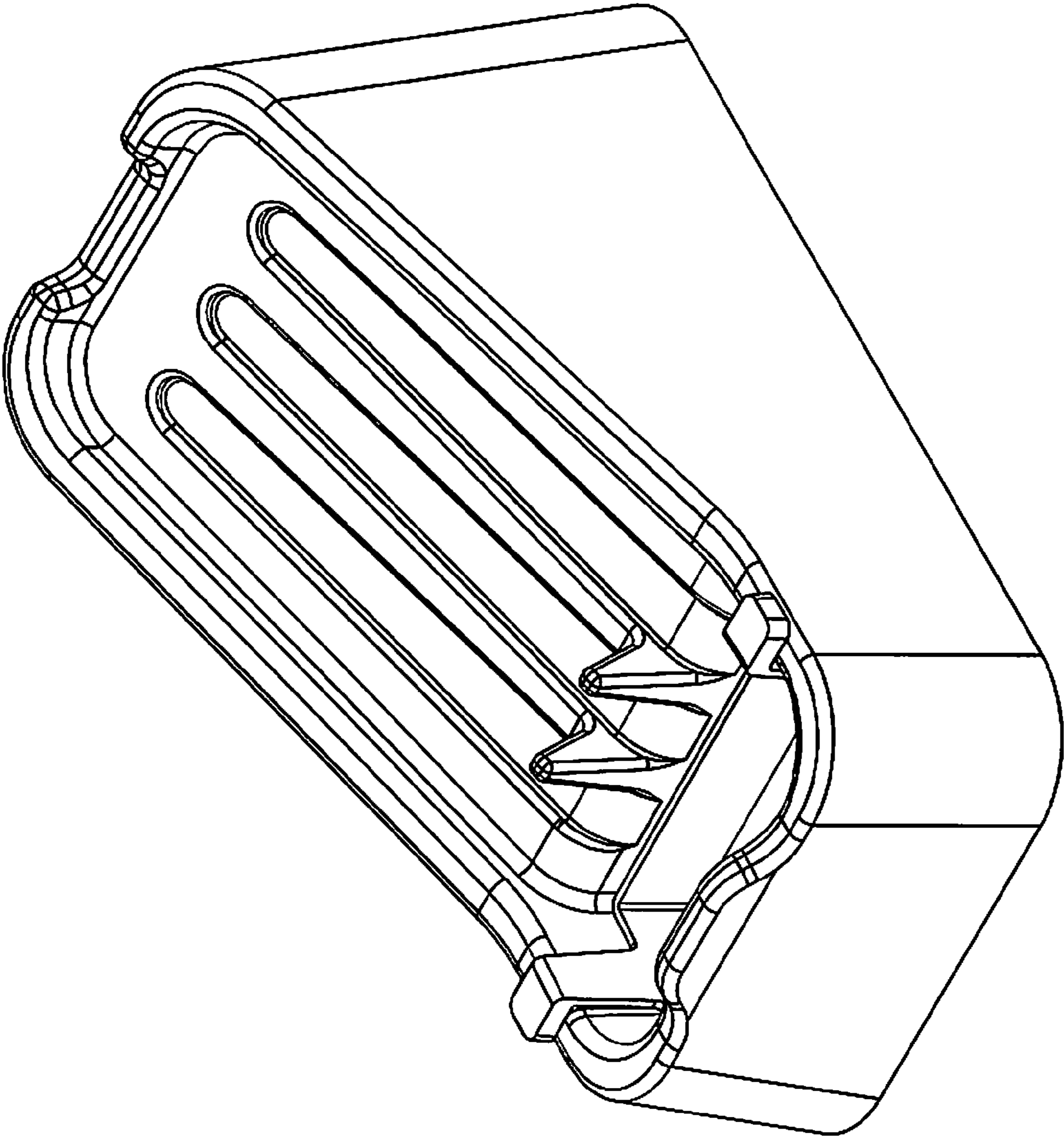


FIG. 5

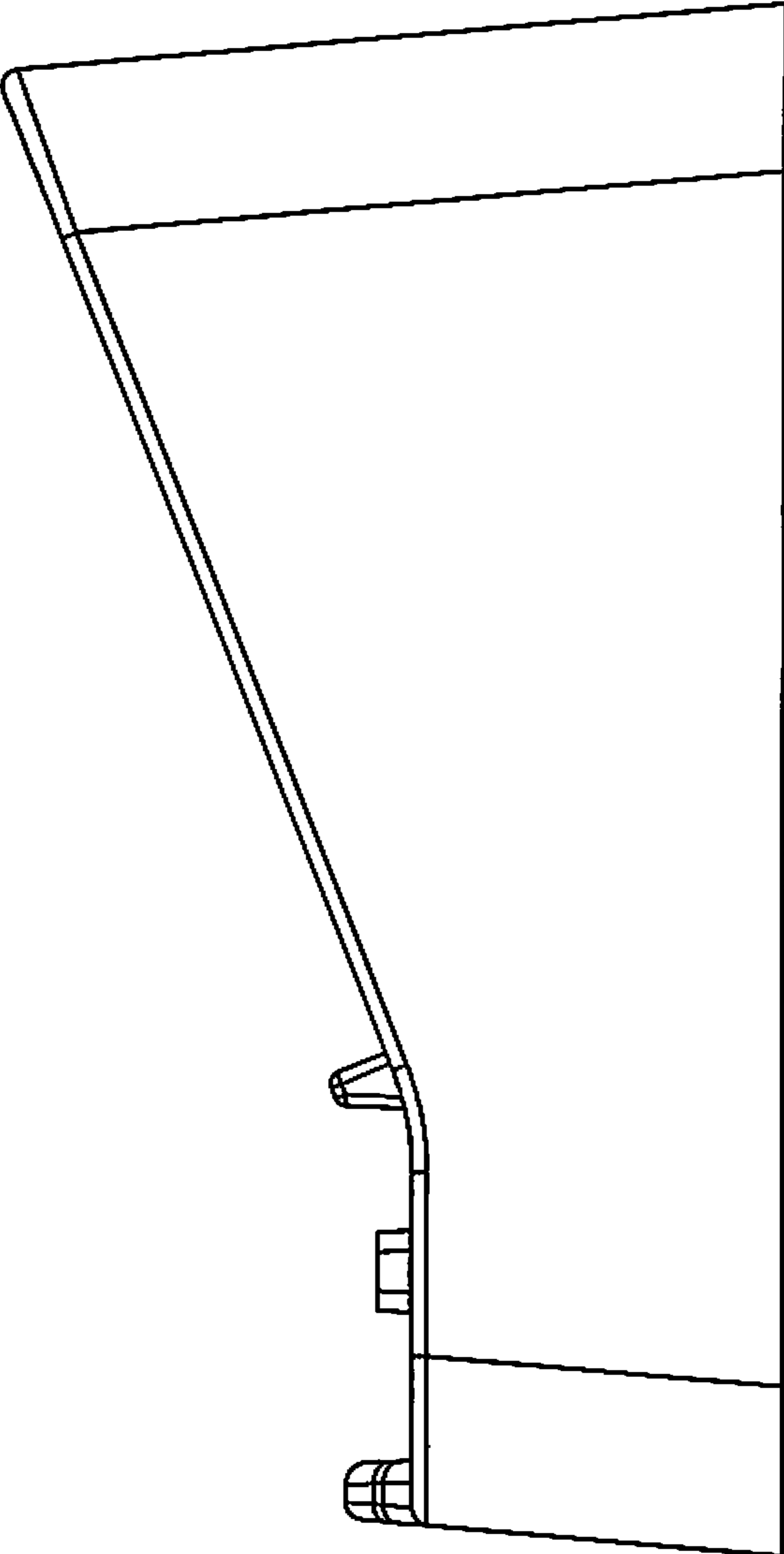


FIG. 6

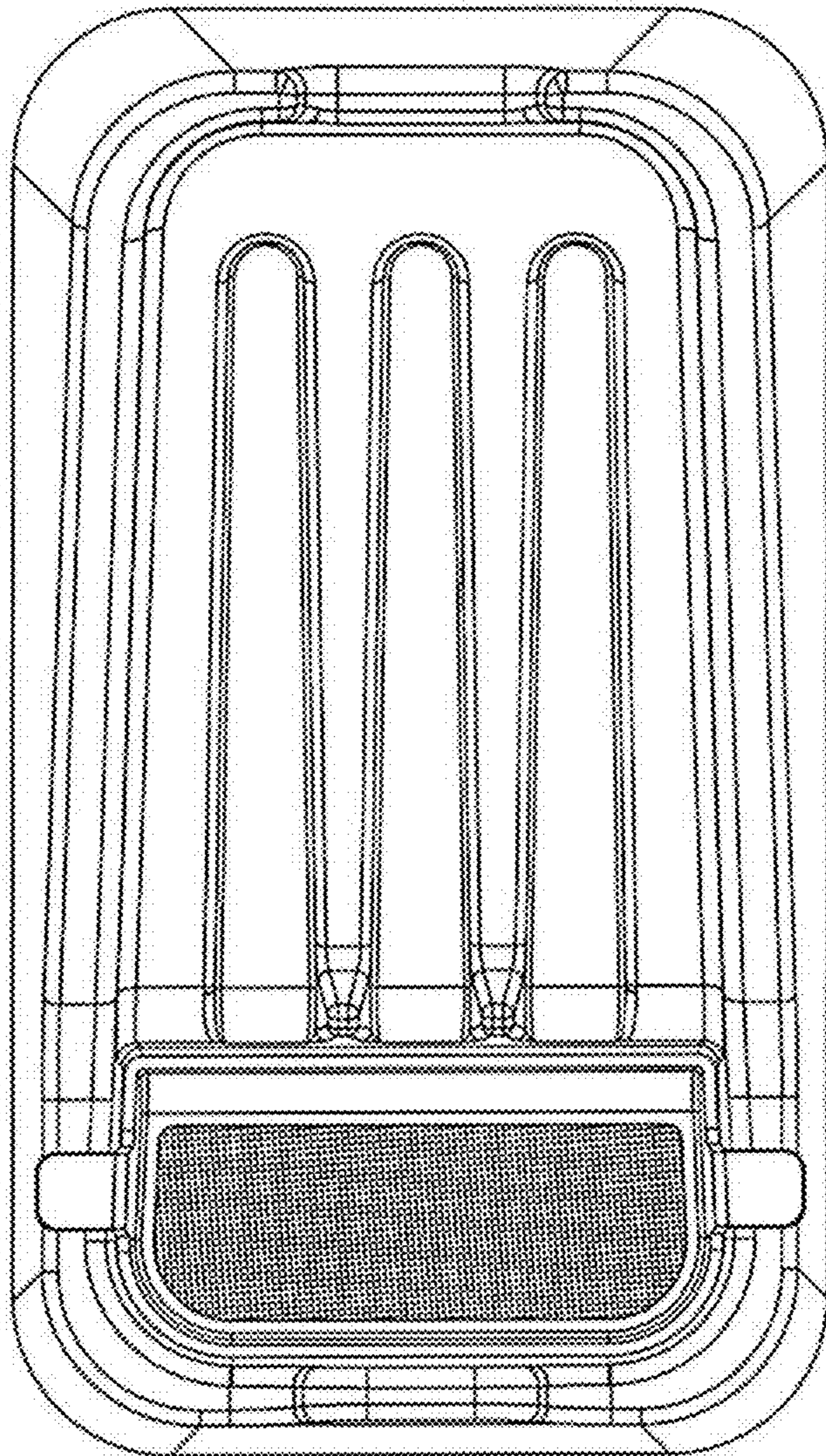


FIG. 8

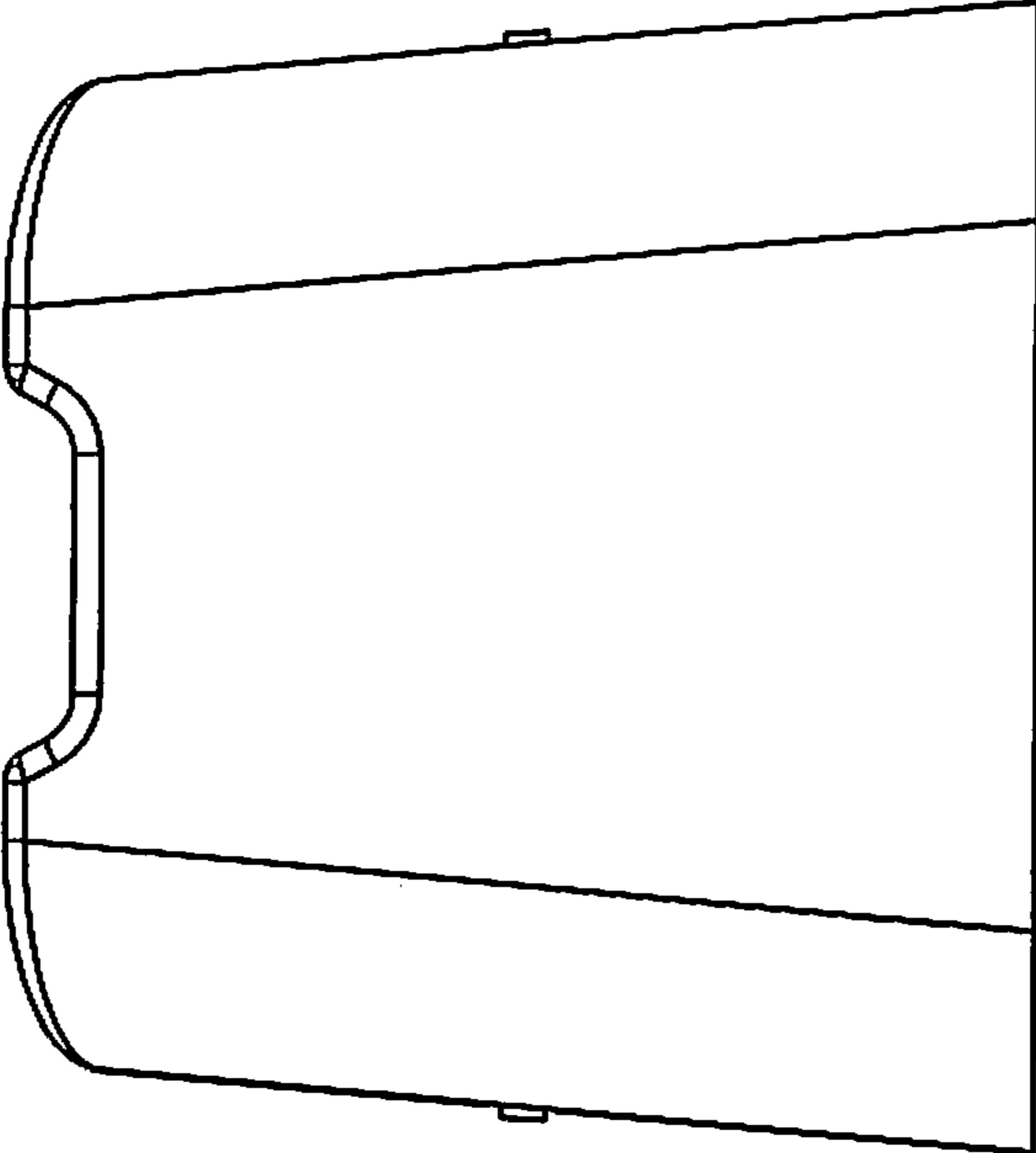


FIG. 7

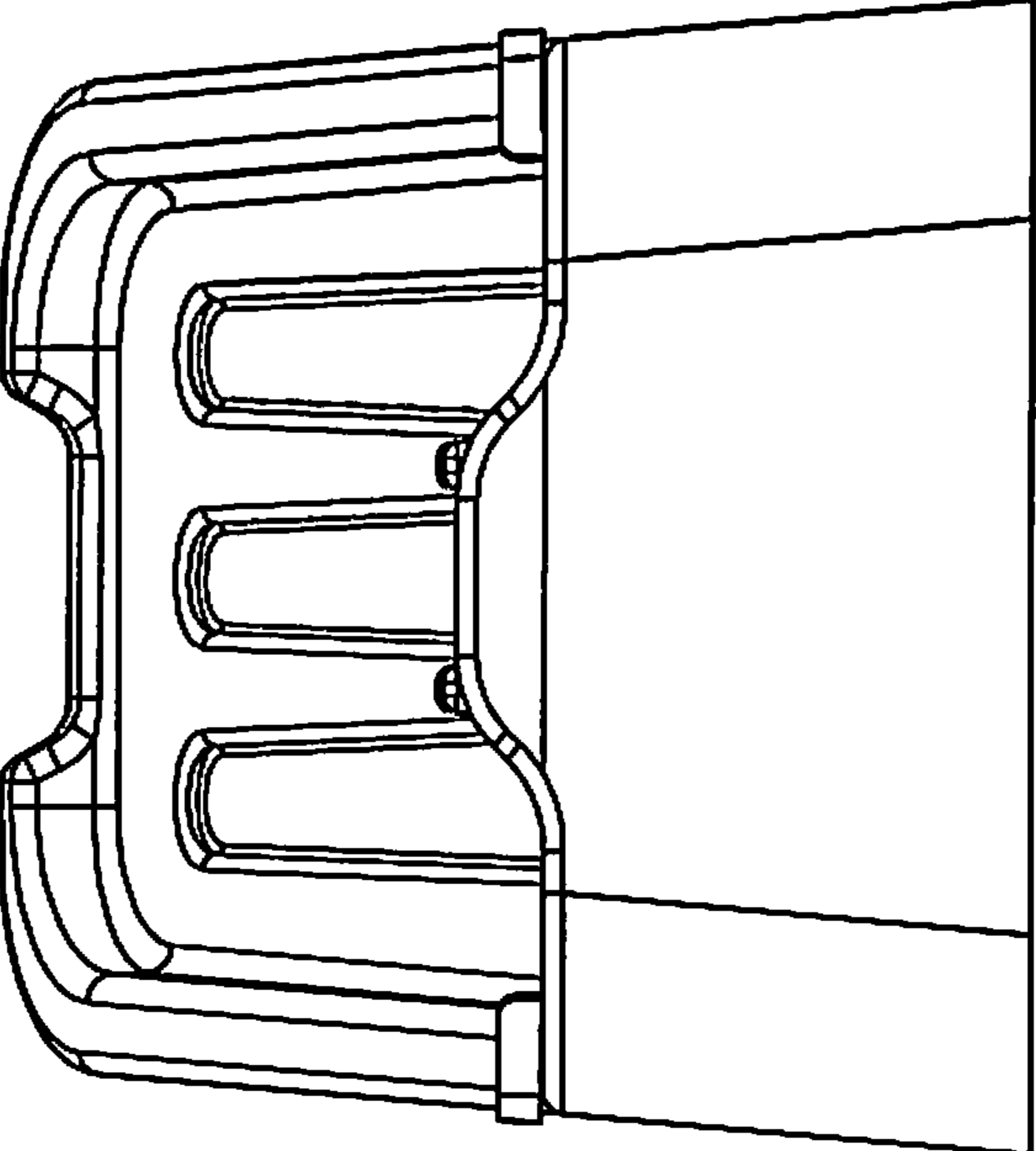


FIG. 9

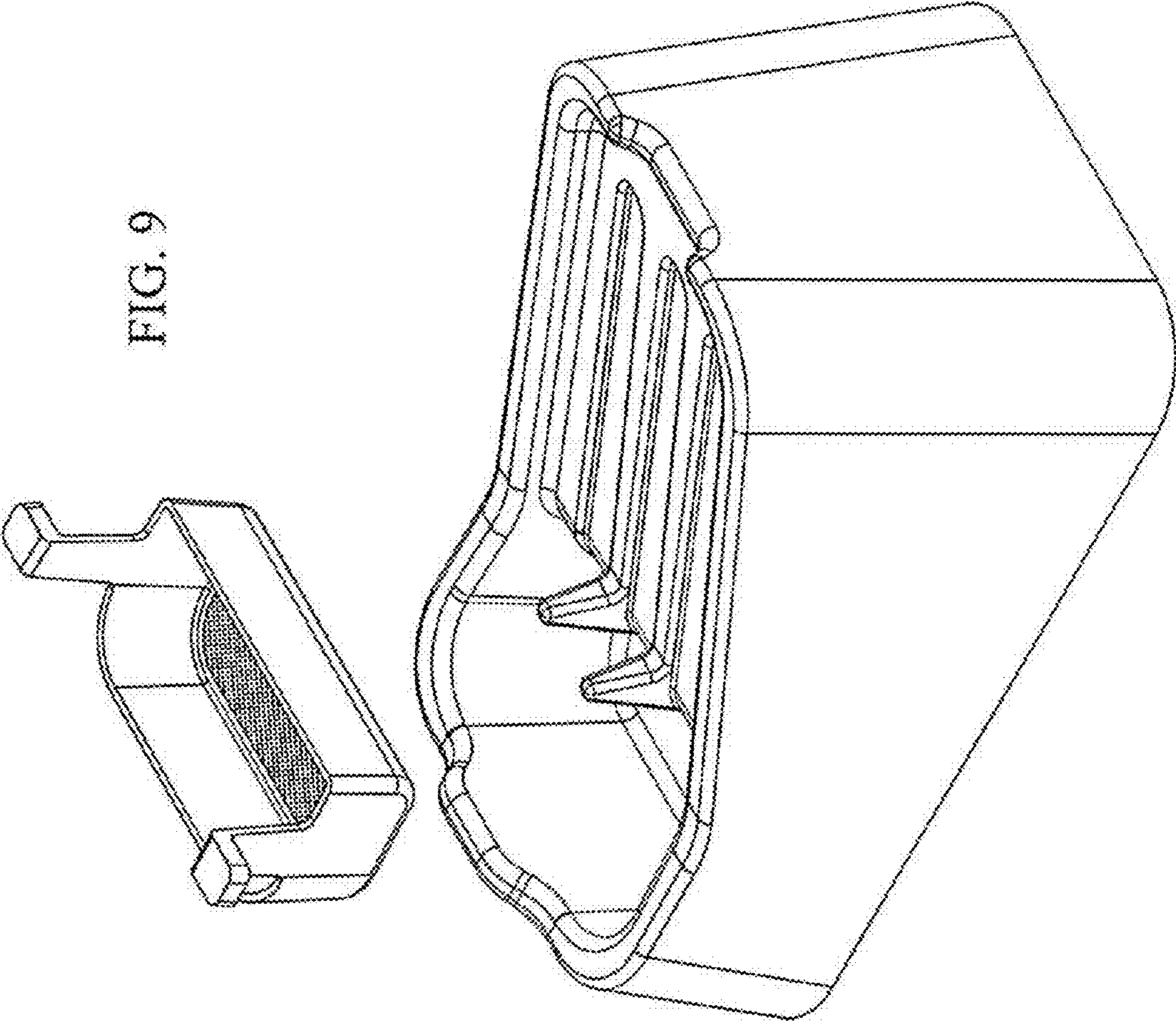


FIG. 10

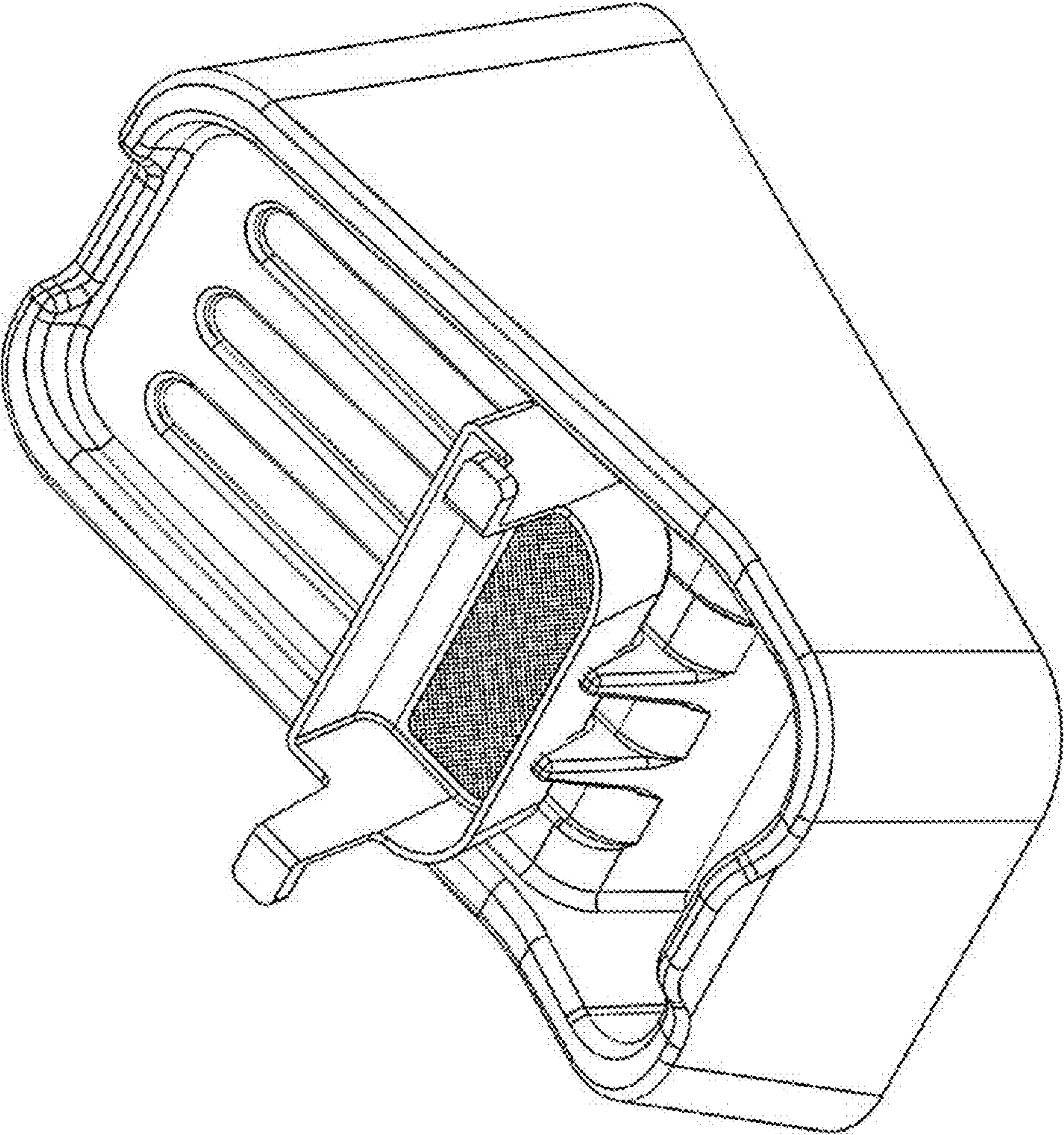


FIG. 11

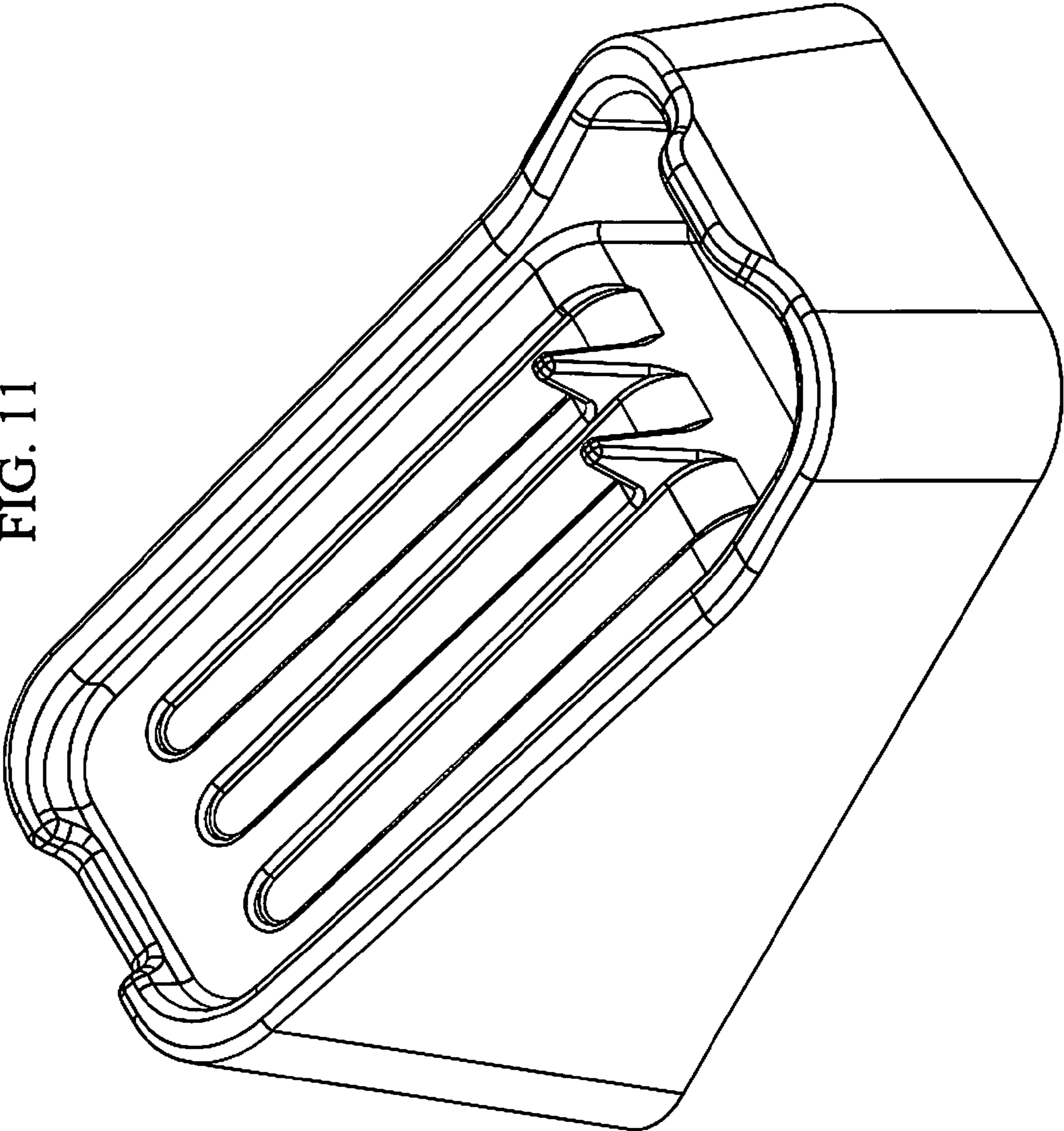


FIG. 12

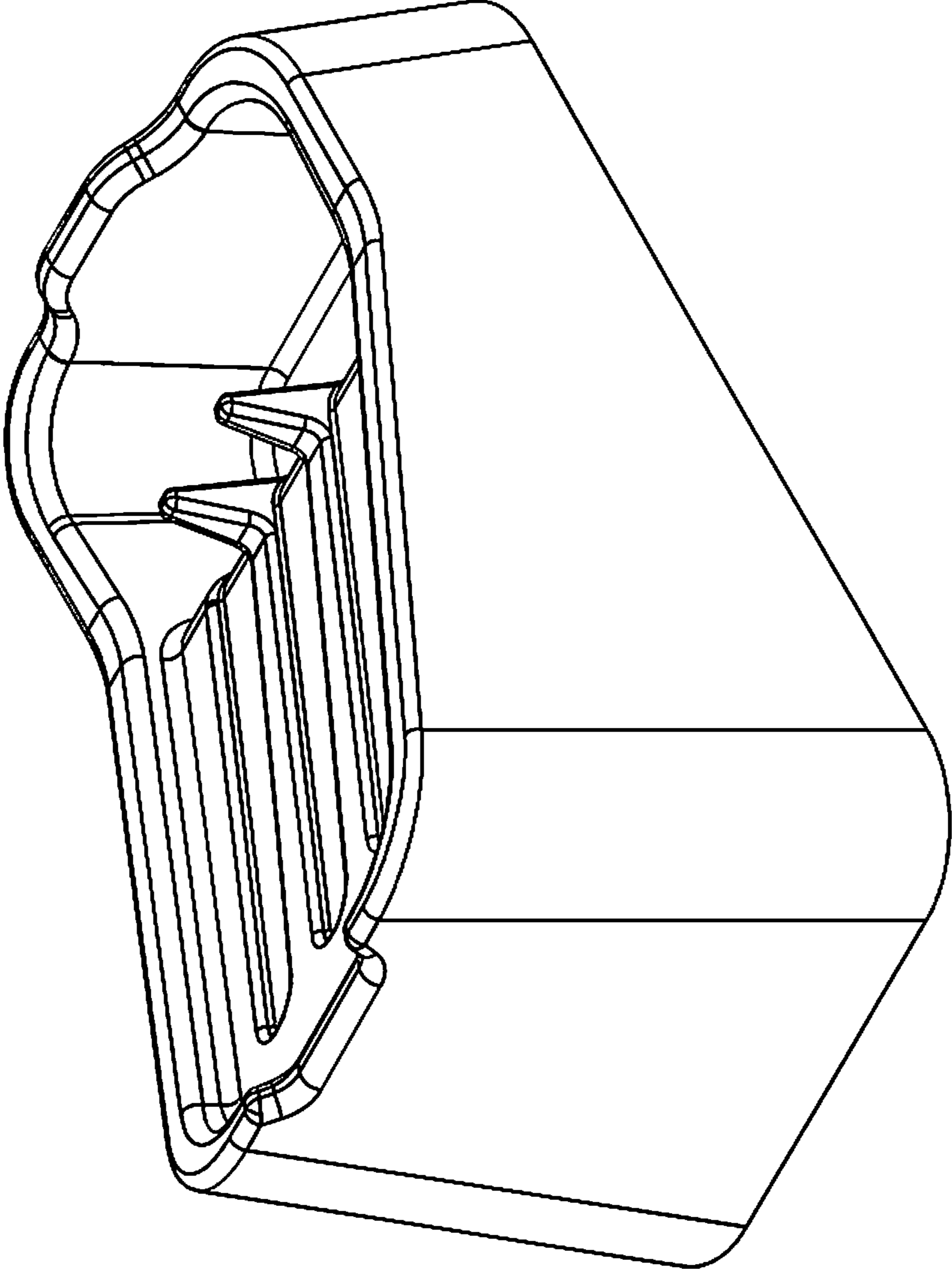
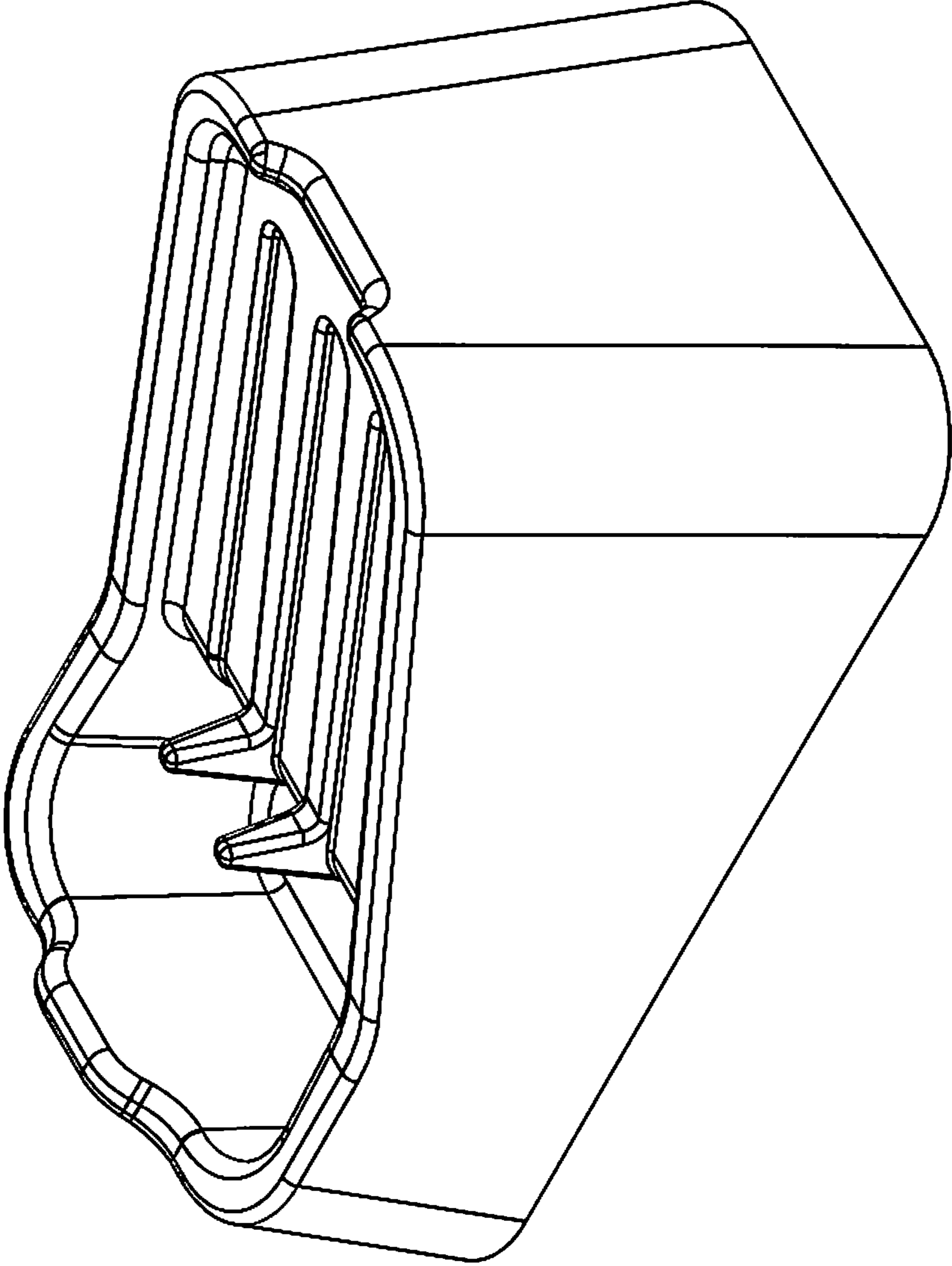


FIG. 13



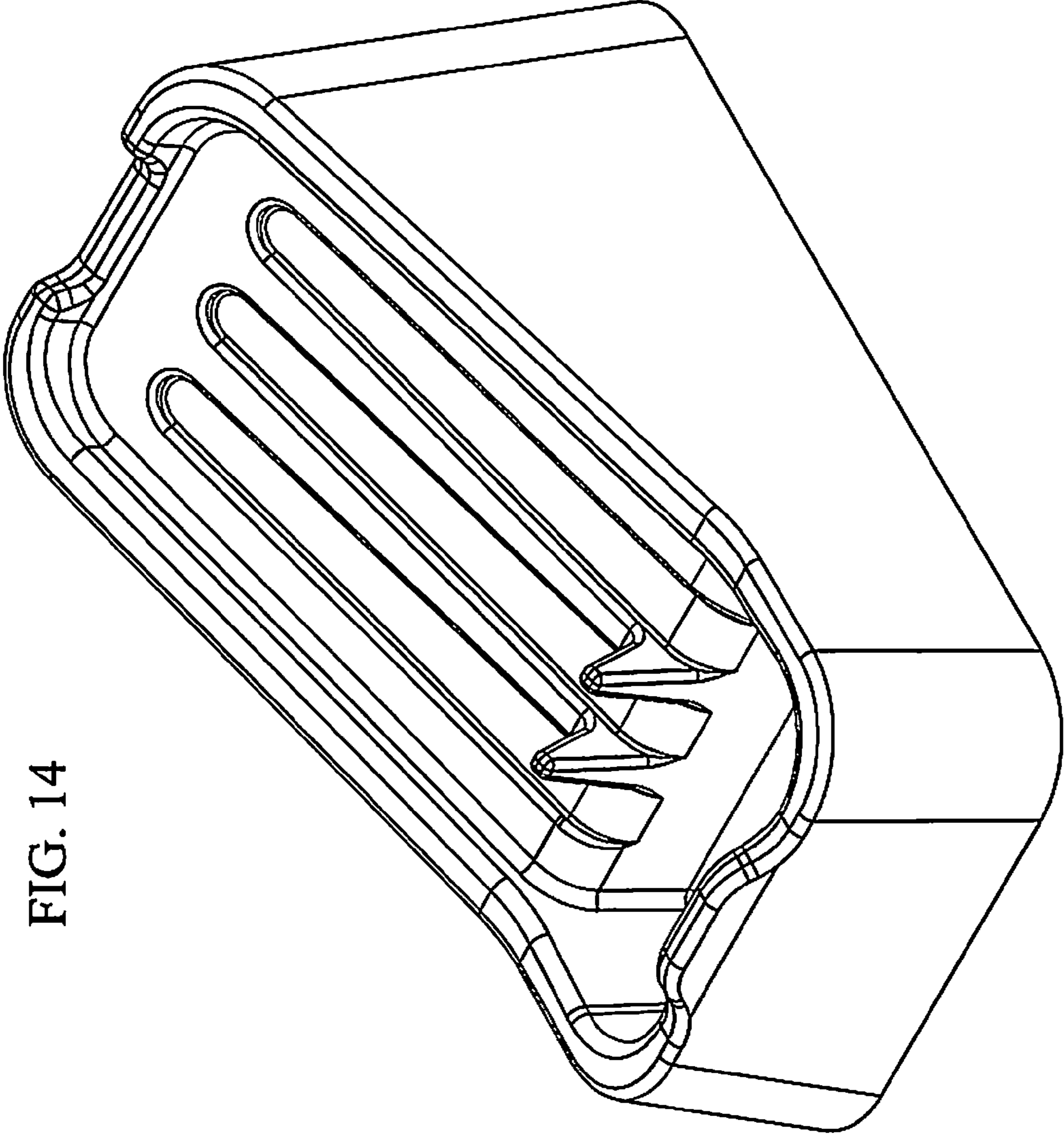


FIG. 14

FIG. 15

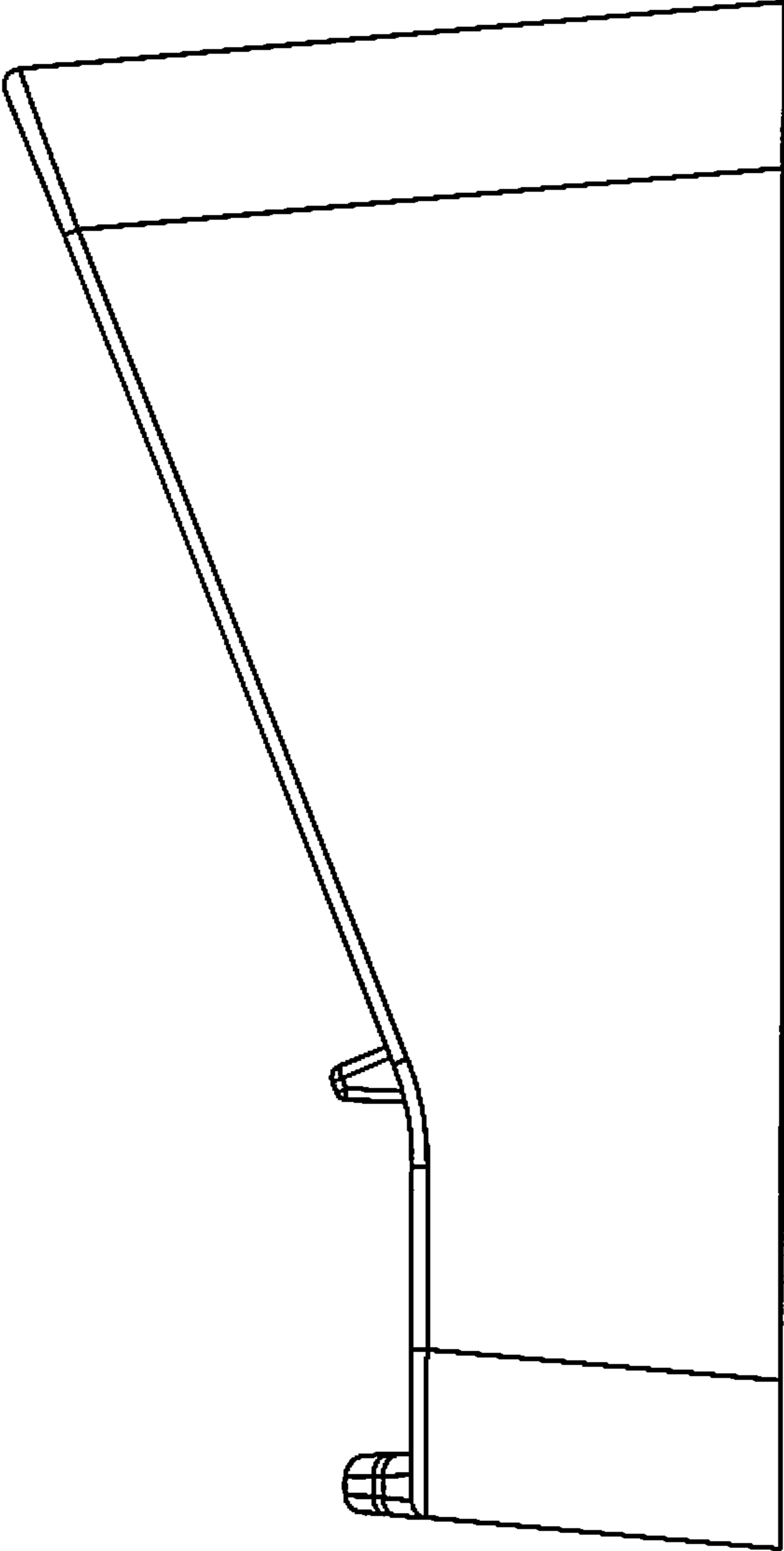


FIG. 16

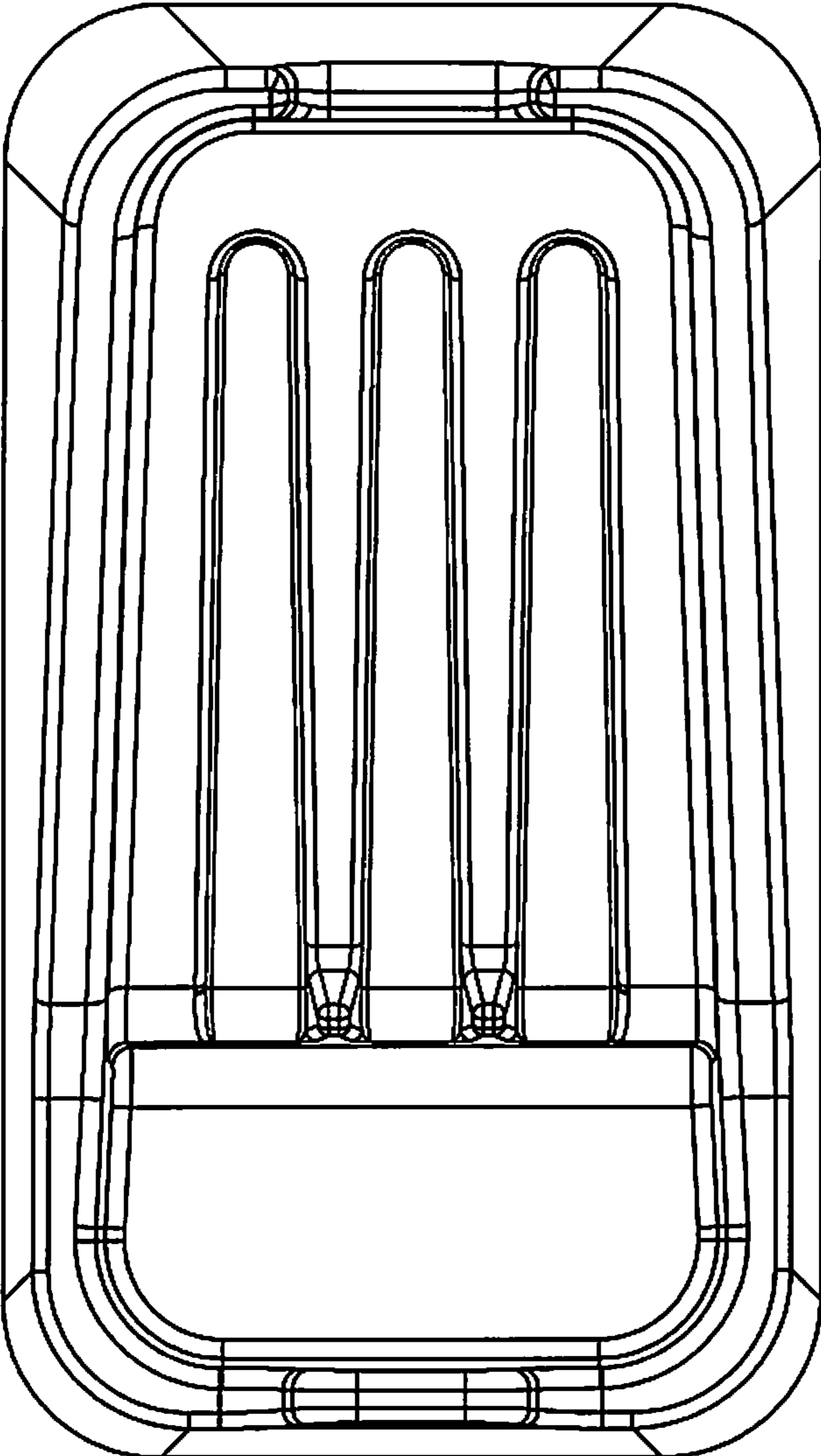


FIG. 18

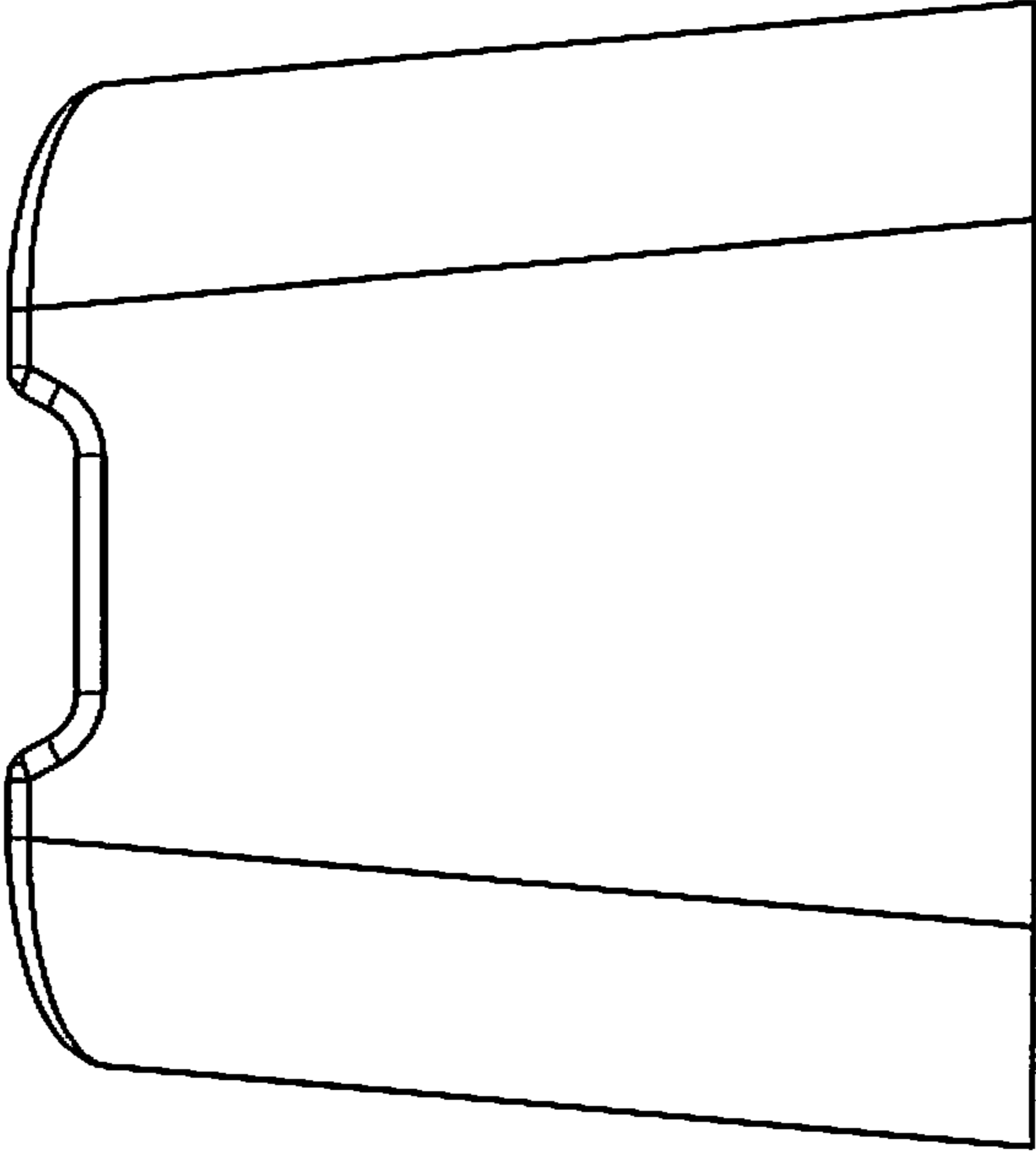
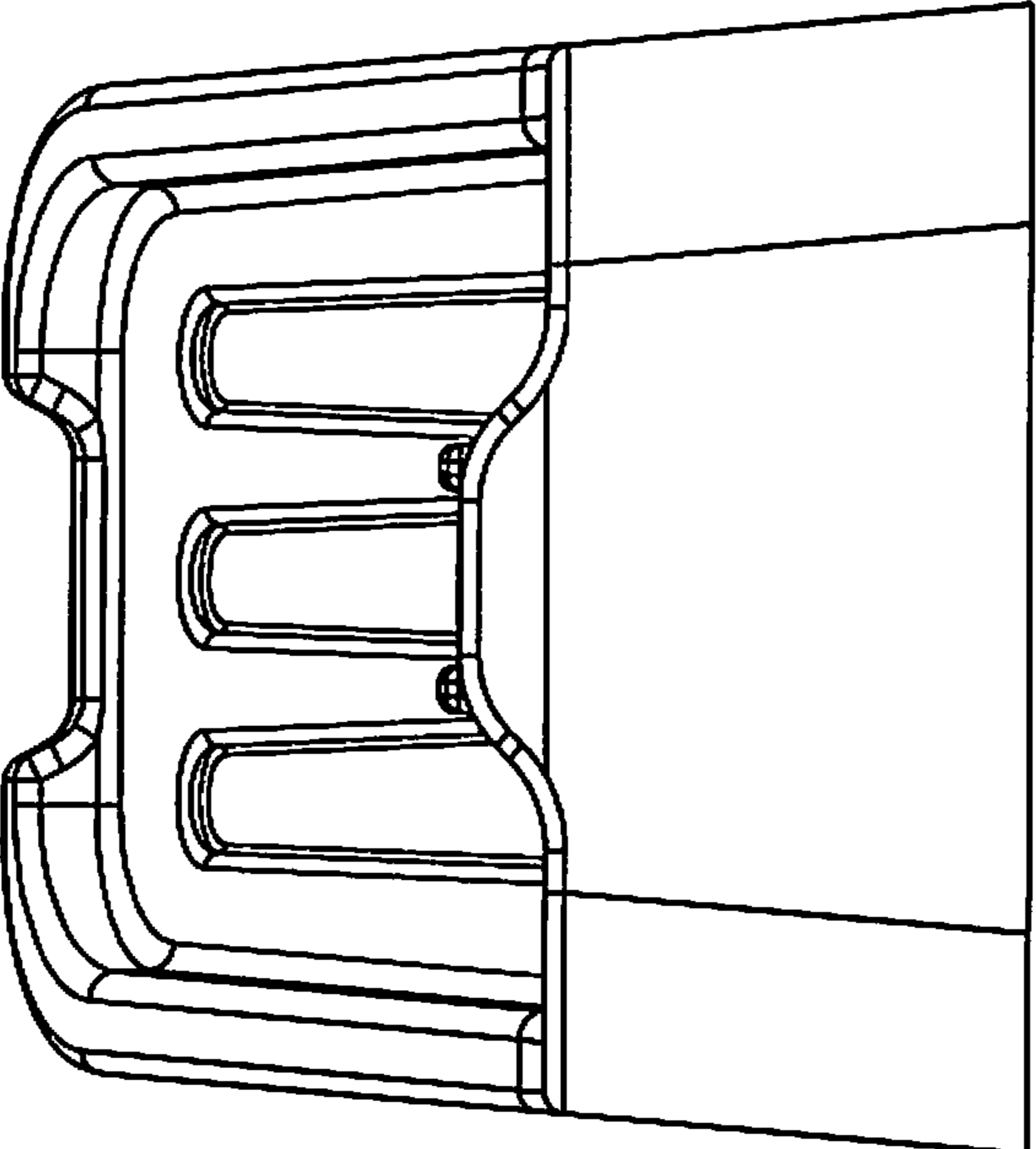


FIG. 17



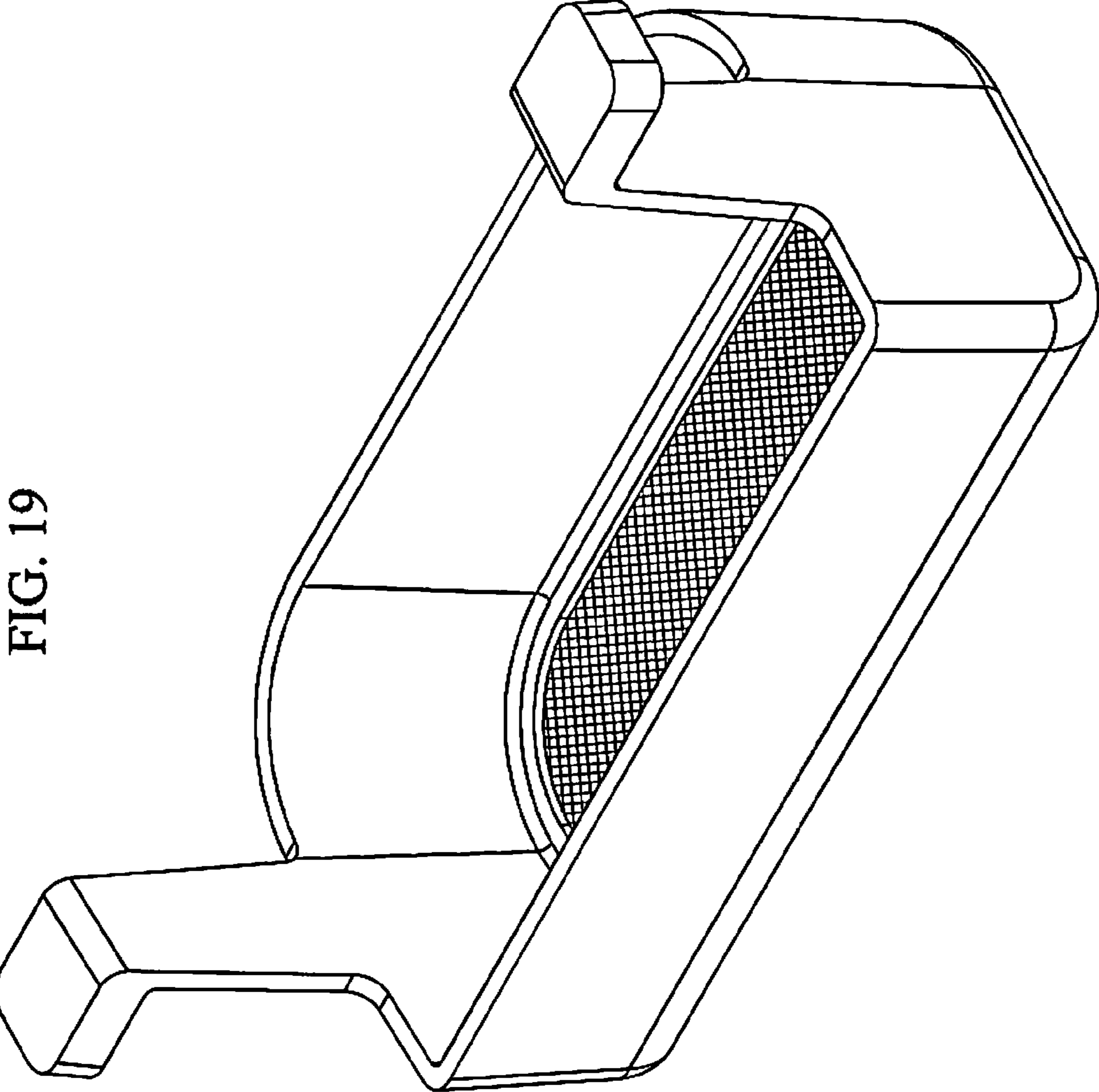


FIG. 19

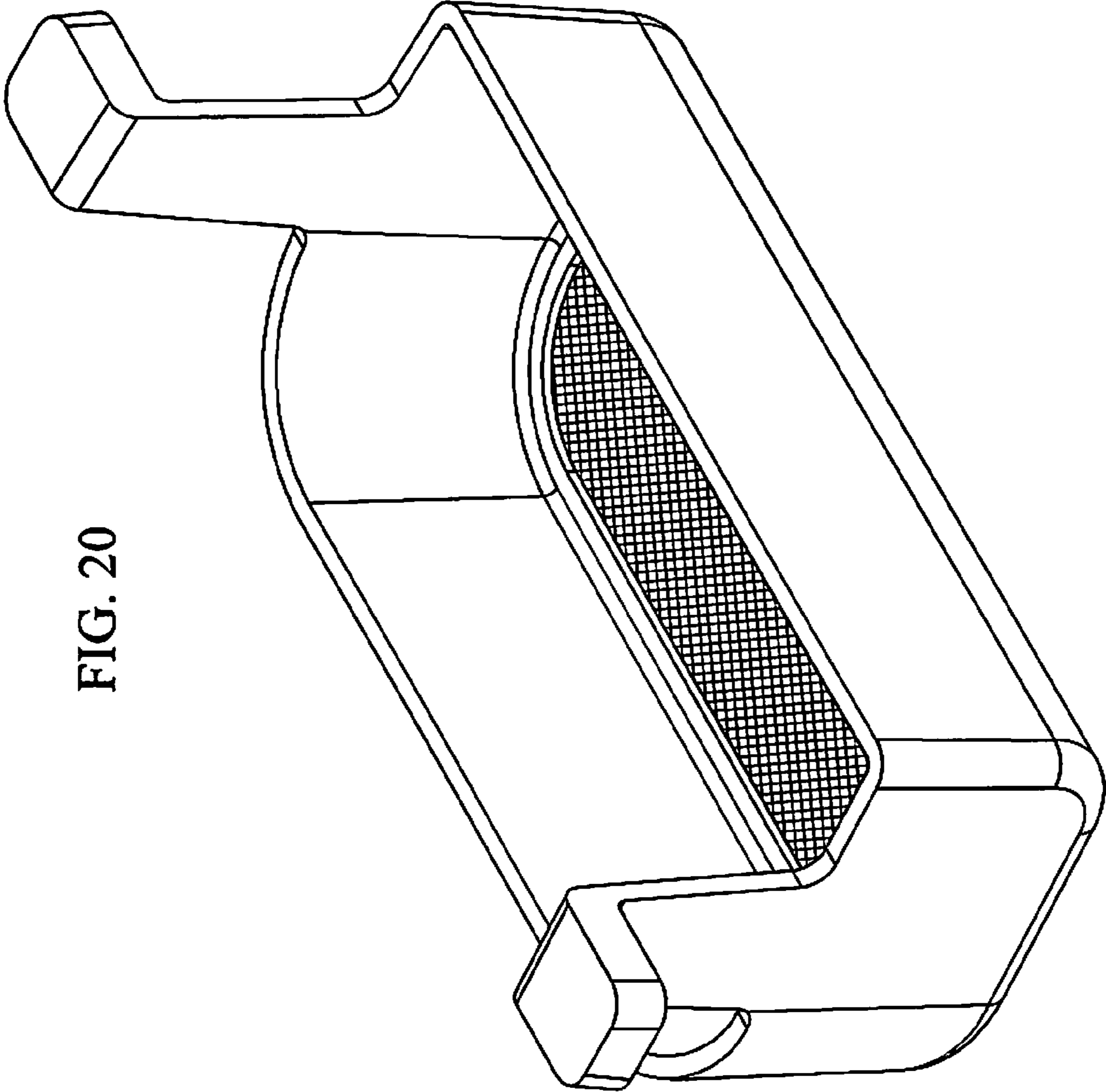
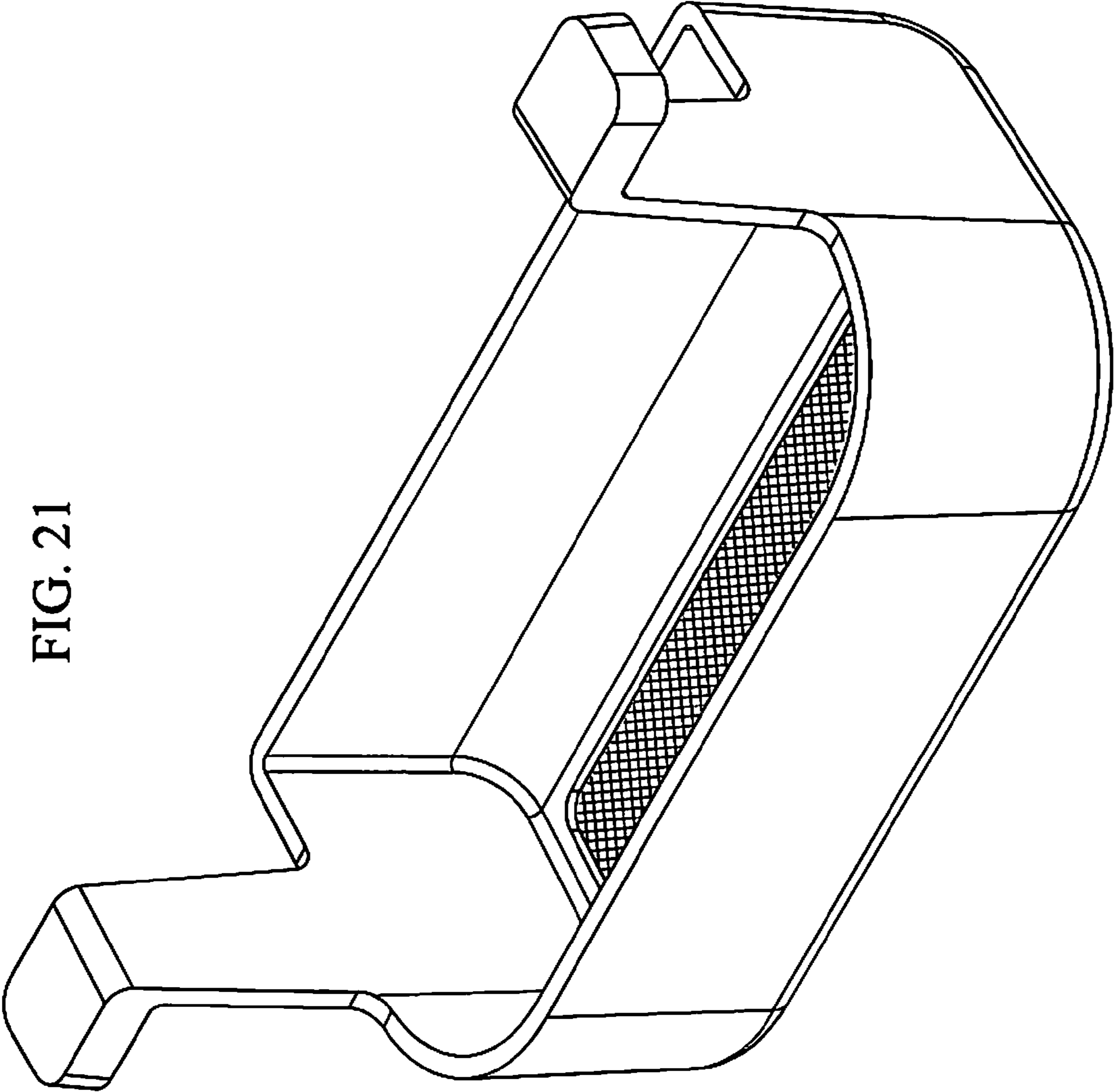


FIG. 20

FIG. 21



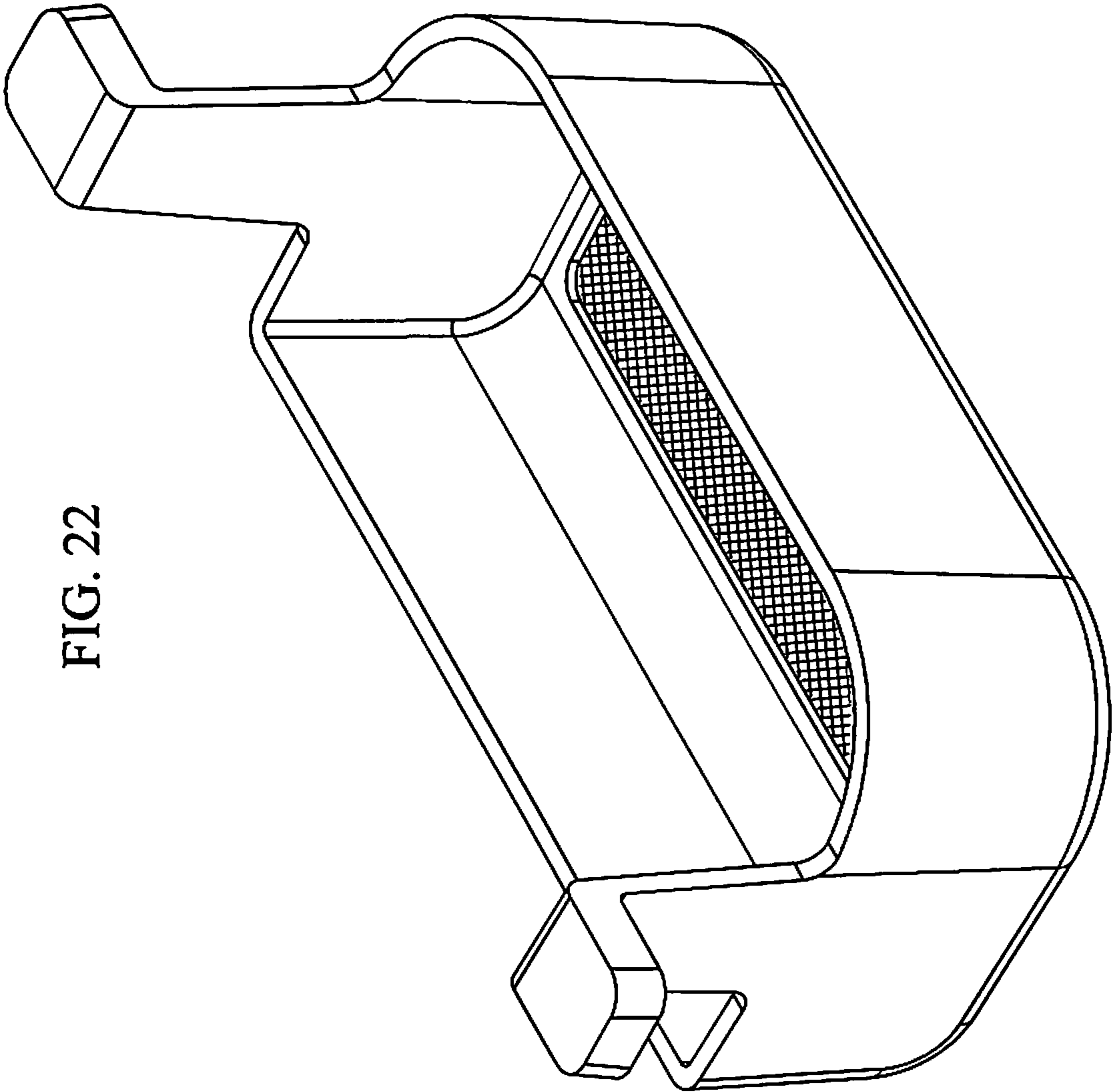


FIG. 22

FIG. 23

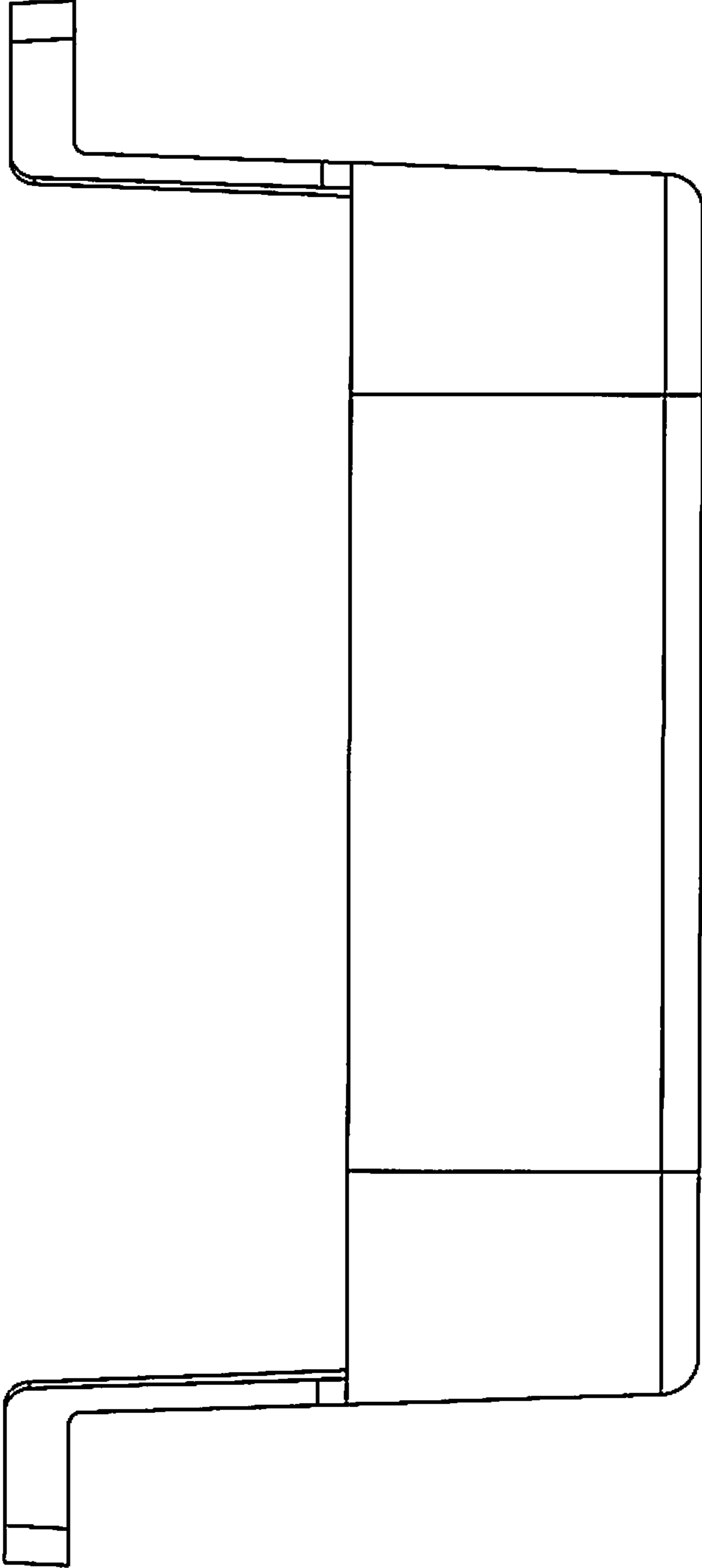


FIG. 24

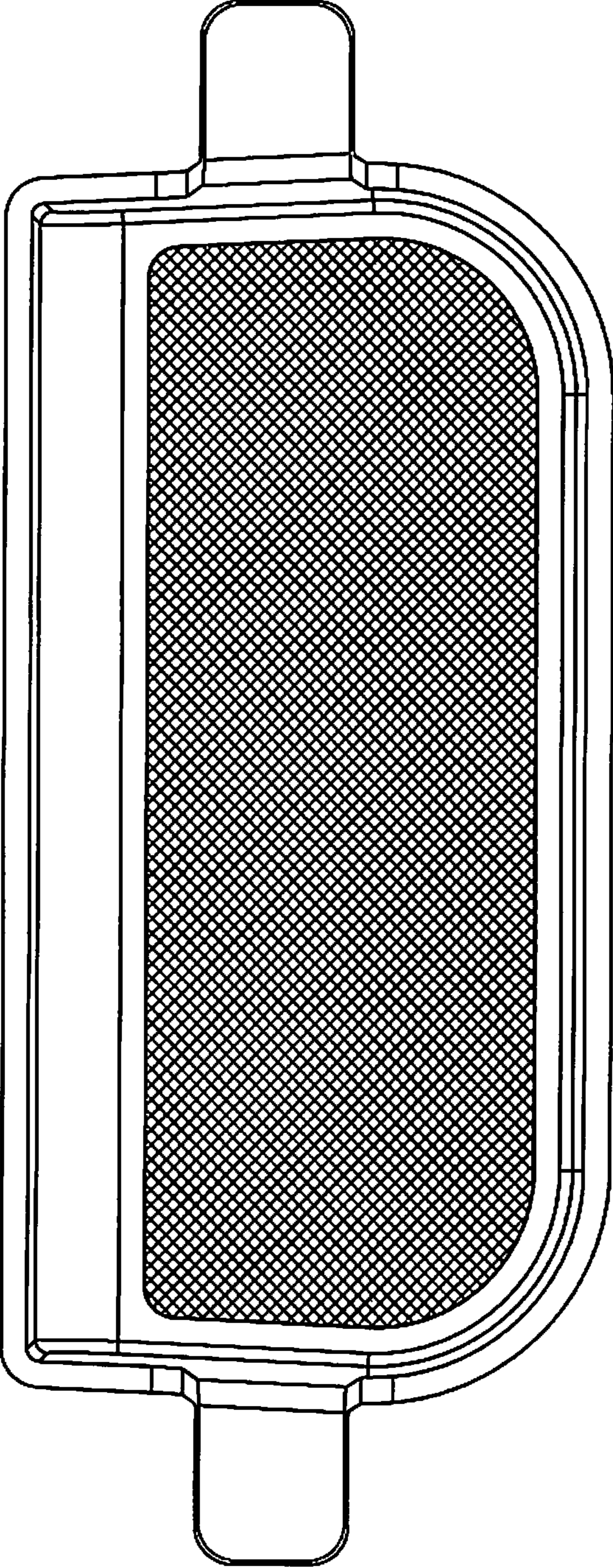


FIG. 25

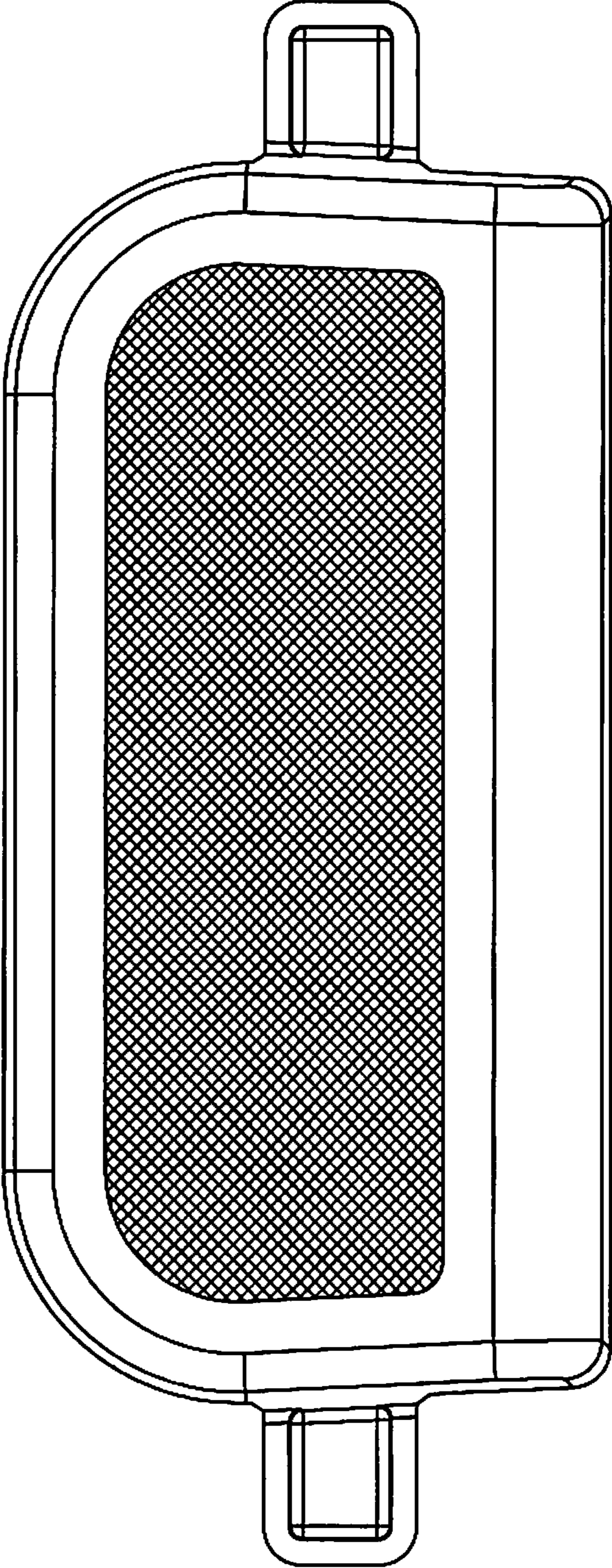


FIG. 27

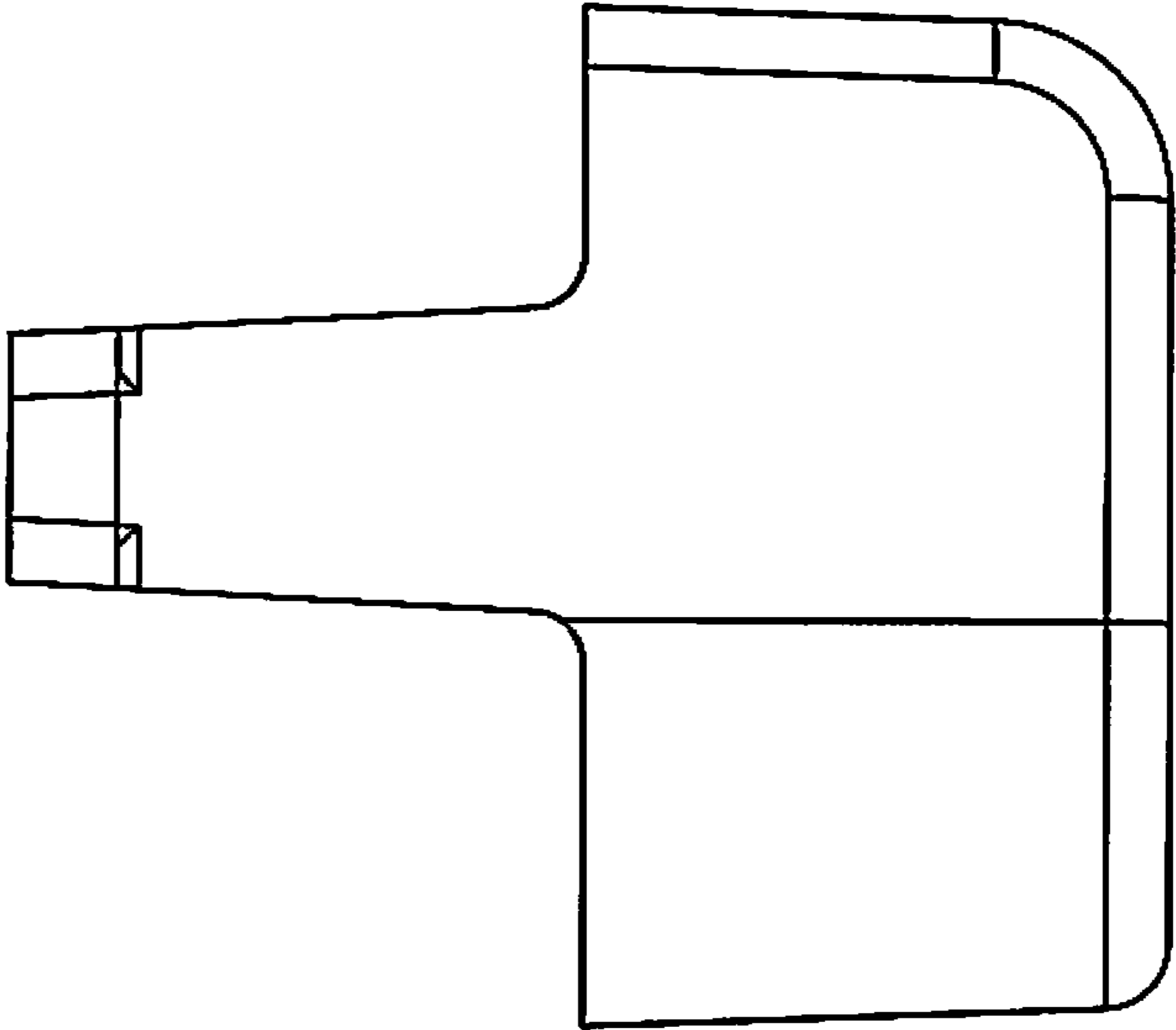


FIG. 26

