

US00D696526S

(12) **United States Design Patent**
Christensen

(10) **Patent No.:** **US D696,526 S**
(45) **Date of Patent:** **** Dec. 31, 2013**

(54) **MODULAR SEALED DISPLAY**

(71) Applicant: **Robert Christensen**, Foster City, CA
(US)

(72) Inventor: **Robert Christensen**, Foster City, CA
(US)

(**) Term: **14 Years**

(21) Appl. No.: **29/436,304**

(22) Filed: **Nov. 2, 2012**

(51) **LOC (9) Cl.** **06-04**

(52) **U.S. Cl.**
USPC **D6/470**

(58) **Field of Classification Search**
USPC D3/273, 305; D6/300, 309, 332, 396,
D6/436-439, 444-448, 460-468, 470-479,
D6/491-495, 509-511, 559, 561, 657,
D6/660-661, 662.1, 663, 671, 671.1,
D6/672-675, 675.1-675.4, 678.4,
D6/702-708, 712; 52/429; 211/42-50,
211/90.01, 133.1, 186-189; 220/23.6, 543;
312/107-111, 117-119, 122, 194, 198,
312/204-209, 224-234, 242, 245,
312/271-279; 362/352

See application file for complete search history.

(56) **References Cited**

U.S. PATENT DOCUMENTS

3,822,924	A *	7/1974	Lust	312/111
D237,235	S *	10/1975	Iacurto	D6/396
4,295,187	A *	10/1981	Shemitz	362/352
D455,292	S *	4/2002	Hardy et al.	D6/449
D555,399	S *	11/2007	Tsai	D6/478
7,686,860	B2 *	3/2010	Ryan	55/429
D617,582	S *	6/2010	Zalewski	D6/491
D622,959	S *	9/2010	Zalewski et al.	D3/273
7,866,769	B2 *	1/2011	Ahlgrim et al.	312/108
D632,892	S *	2/2011	Zalewski et al.	D3/273
D634,567	S *	3/2011	Zalewski	D6/491
D636,618	S *	4/2011	Kundinger et al.	D6/495
8,113,600	B2 *	2/2012	Zalewski et al.	312/111

D656,730	S *	4/2012	Son	D3/305
8,186,776	B2 *	5/2012	Zalewski	312/111
D663,118	S *	7/2012	Zalewski et al.	D3/273
8,414,092	B2 *	4/2013	Zalewski et al.	312/111
8,418,874	B2 *	4/2013	Ahlgrim et al.	220/543
2003/0193274	A1 *	10/2003	Saravis	312/111
2005/0006991	A1 *	1/2005	Saravis	312/111
2005/0104483	A1 *	5/2005	Saravis	312/111
2006/0250052	A1 *	11/2006	Davis et al.	312/107
2007/0158347	A1 *	7/2007	Ohayon	220/23.6
2010/0019630	A1 *	1/2010	Leng	312/107
2010/0237754	A1 *	9/2010	Zalewski et al.	312/111
2010/0237755	A1 *	9/2010	Zalewski	312/111

* cited by examiner

Primary Examiner — Ricky Pham

(74) *Attorney, Agent, or Firm* — Carr & Ferrell LLP

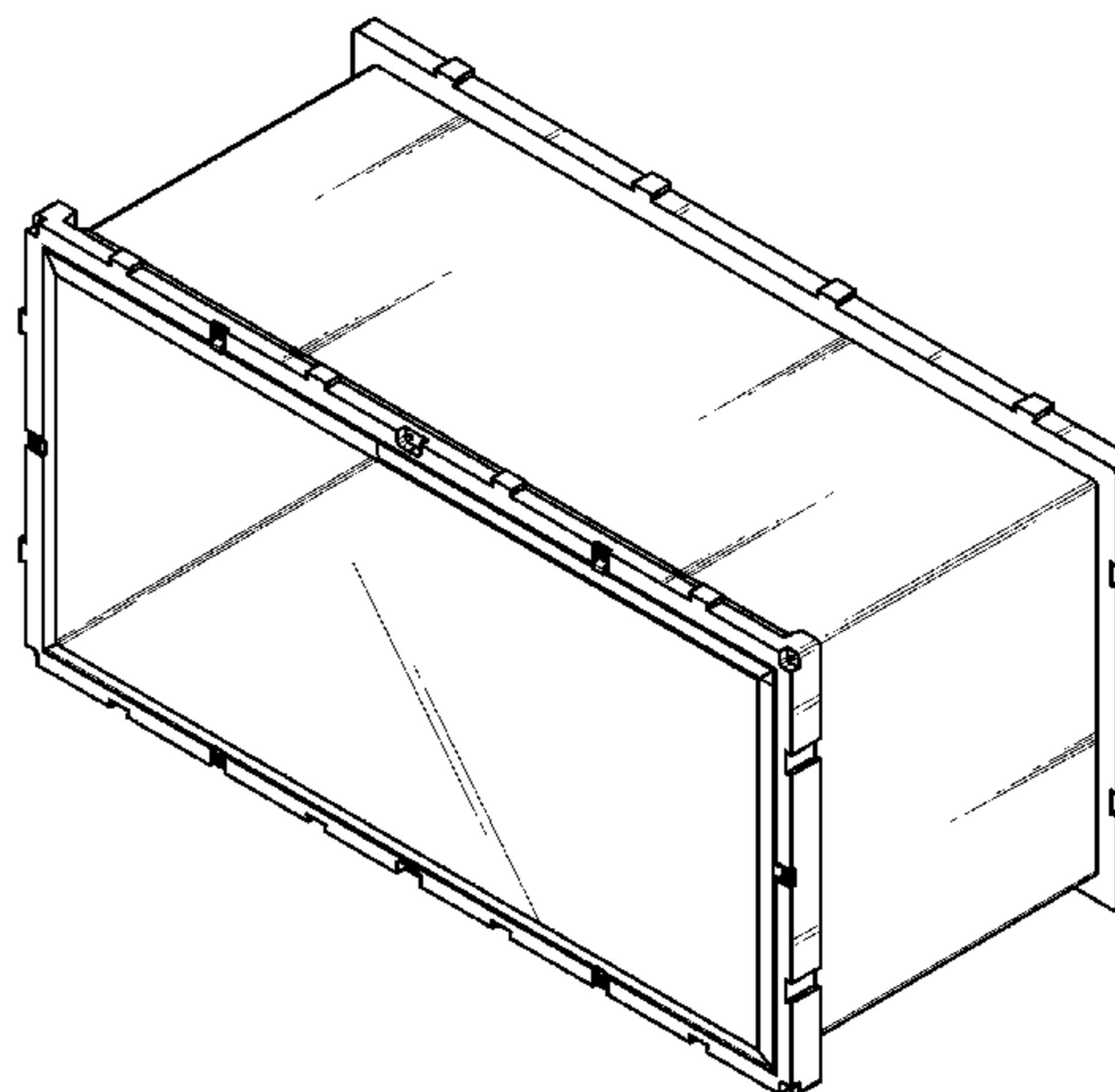
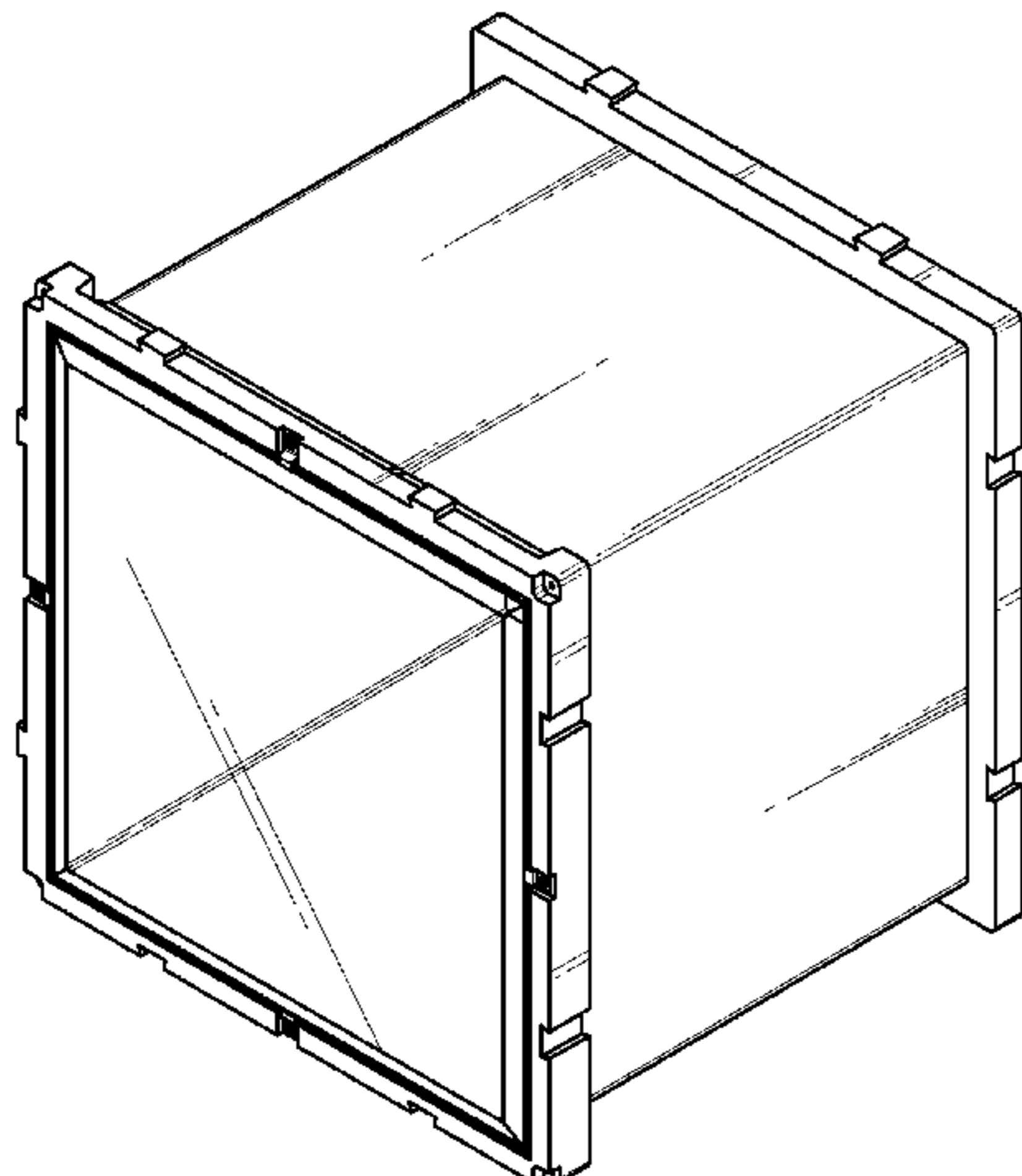
(57) **CLAIM**

The ornamental design for a modular sealed display, as shown and described.

DESCRIPTION

FIG. 1 is a front perspective view of a modular sealed display showing the new design;
 FIG. 2 is a rear perspective view thereof;
 FIG. 3 is a front view thereof;
 FIG. 4 is a rear view thereof;
 FIG. 5 is a right side view thereof;
 FIG. 6 is a left side view thereof;
 FIG. 7 is a top view thereof;
 FIG. 8 is a bottom view thereof;
 FIG. 9 is an exploded front view thereof;
 FIG. 10 is an exploded rear view thereof;
 FIG. 11 is a front perspective view of an alternate embodiment of a modular sealed display showing the new design;
 FIG. 12 is a rear perspective view thereof;
 FIG. 13 is a front perspective view of an alternate embodiment of a modular sealed display showing the new design;
 FIG. 14 is a rear perspective view thereof;
 FIG. 15 is a close up cutaway to illustrate a dovetail key; and,
 FIG. 16 is a front view of a plurality of interconnected modular sealed displays.

1 Claim, 13 Drawing Sheets



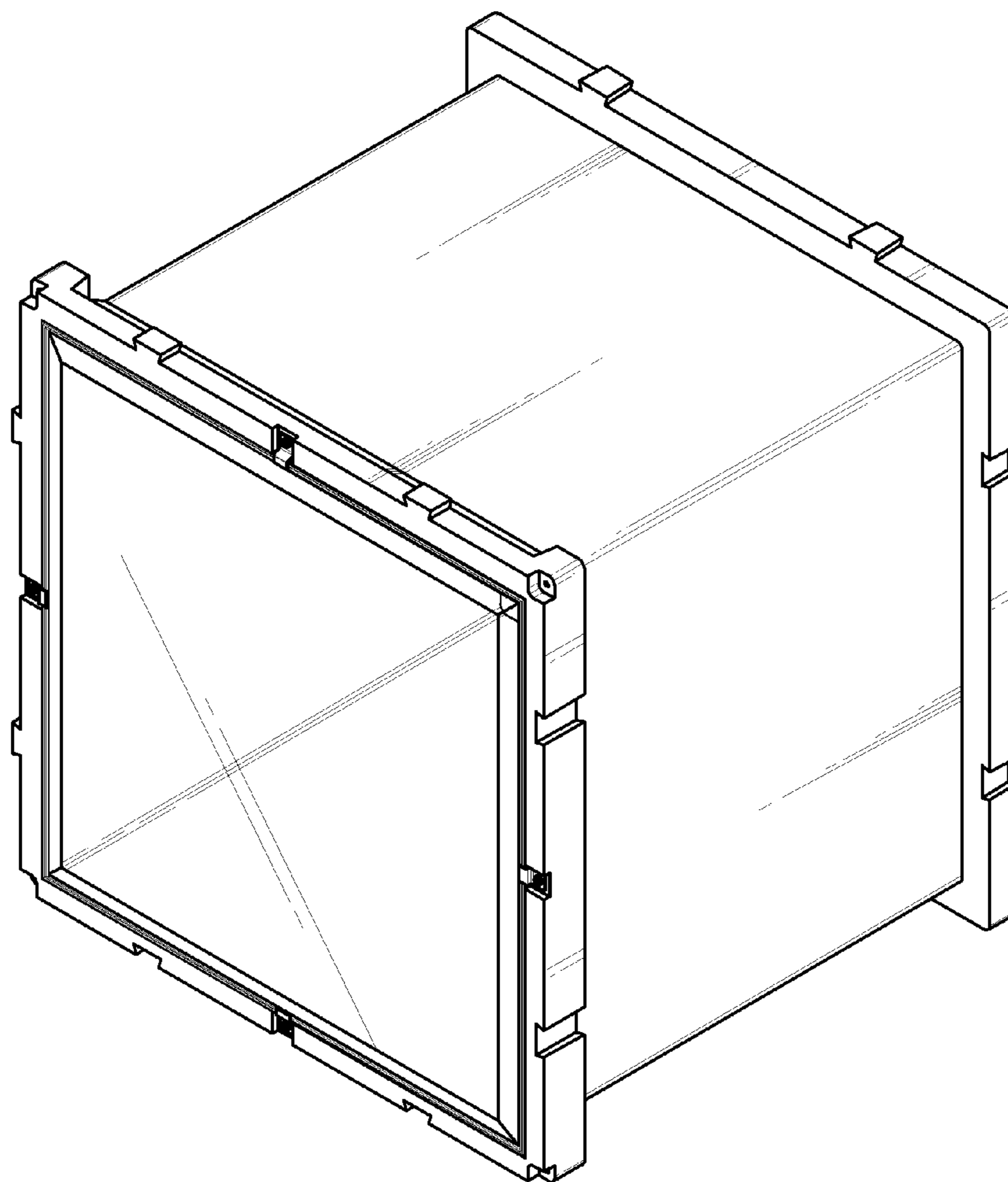


FIG. 1

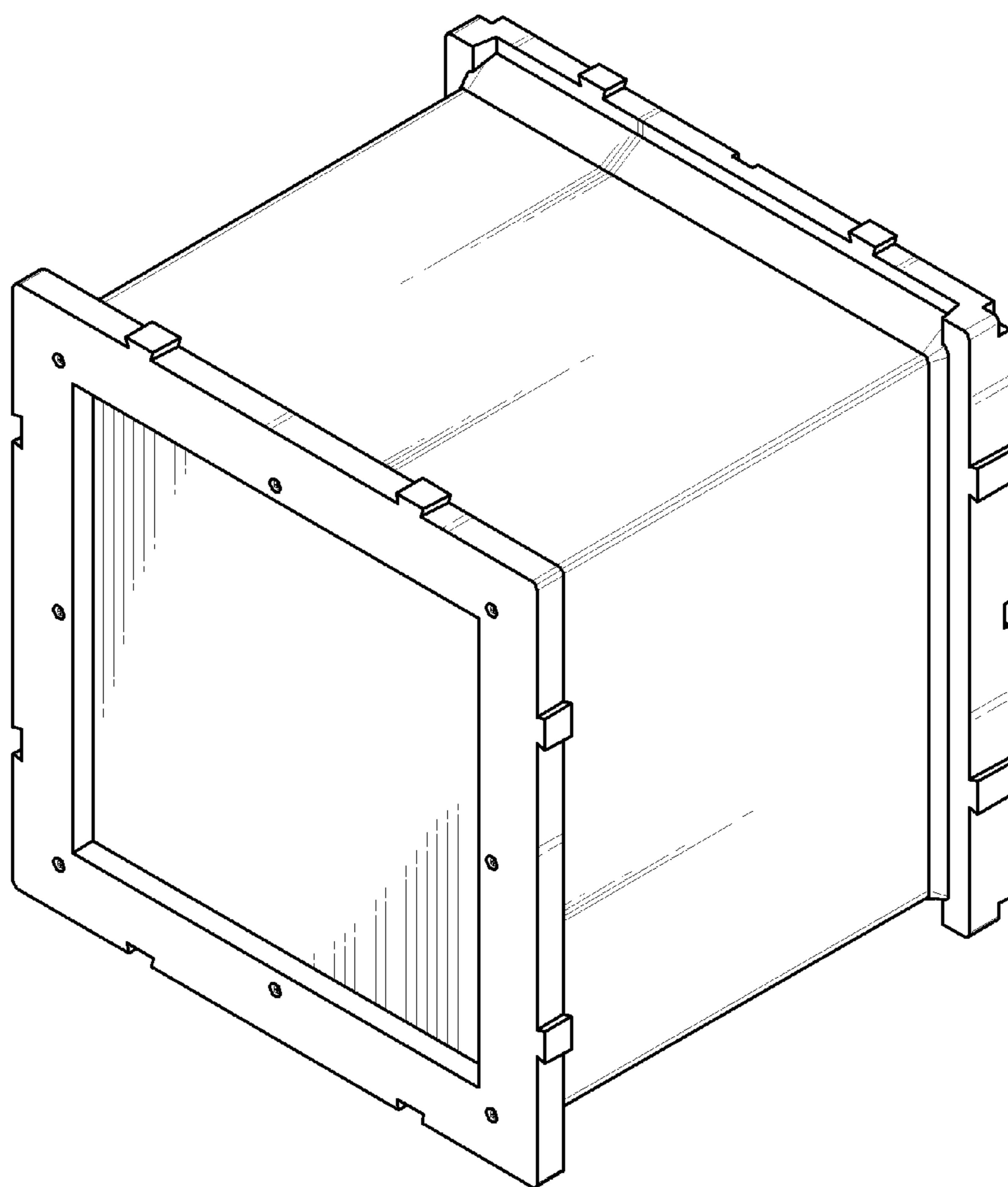


FIG. 2

FIG. 3

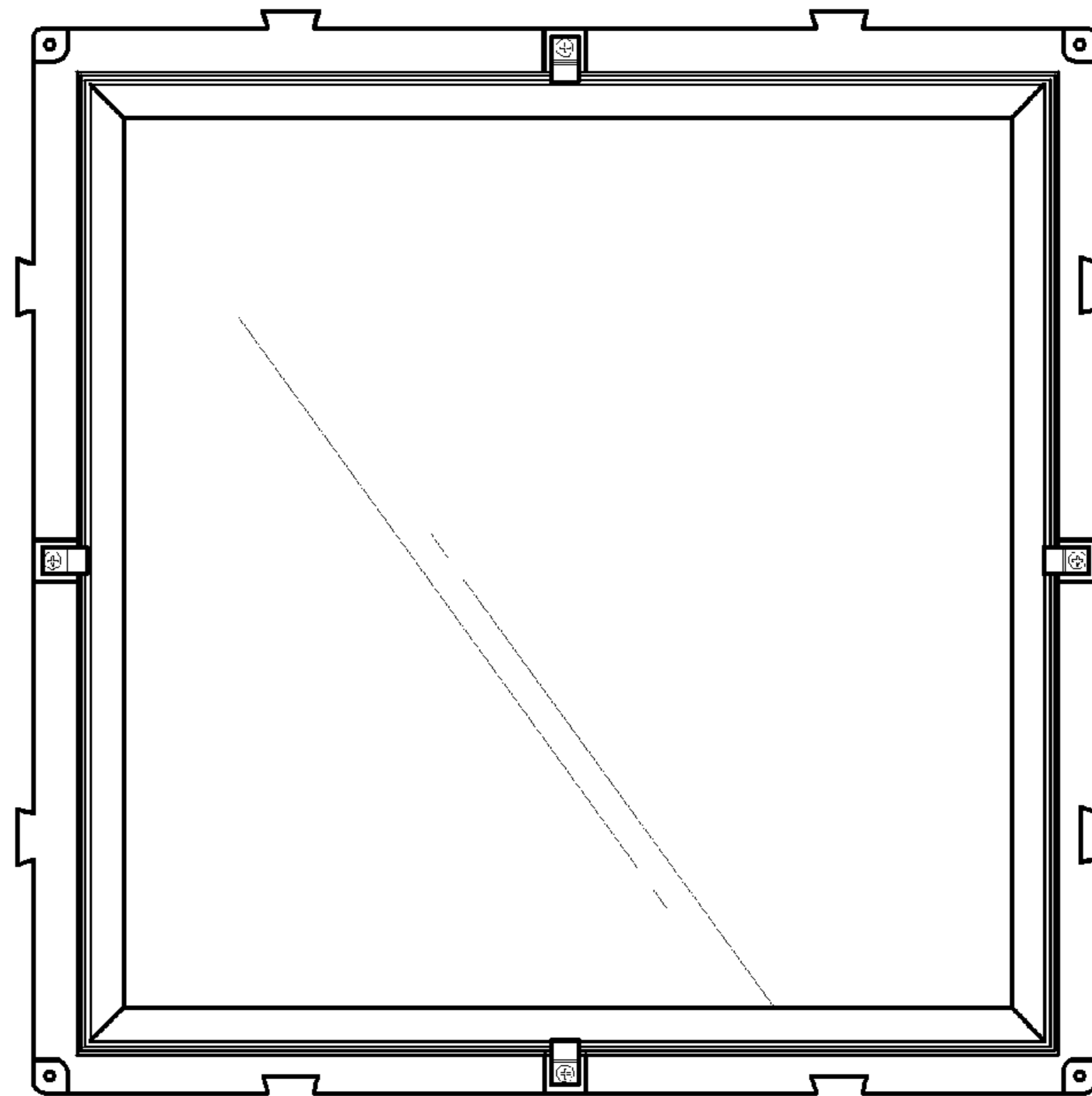


FIG. 4

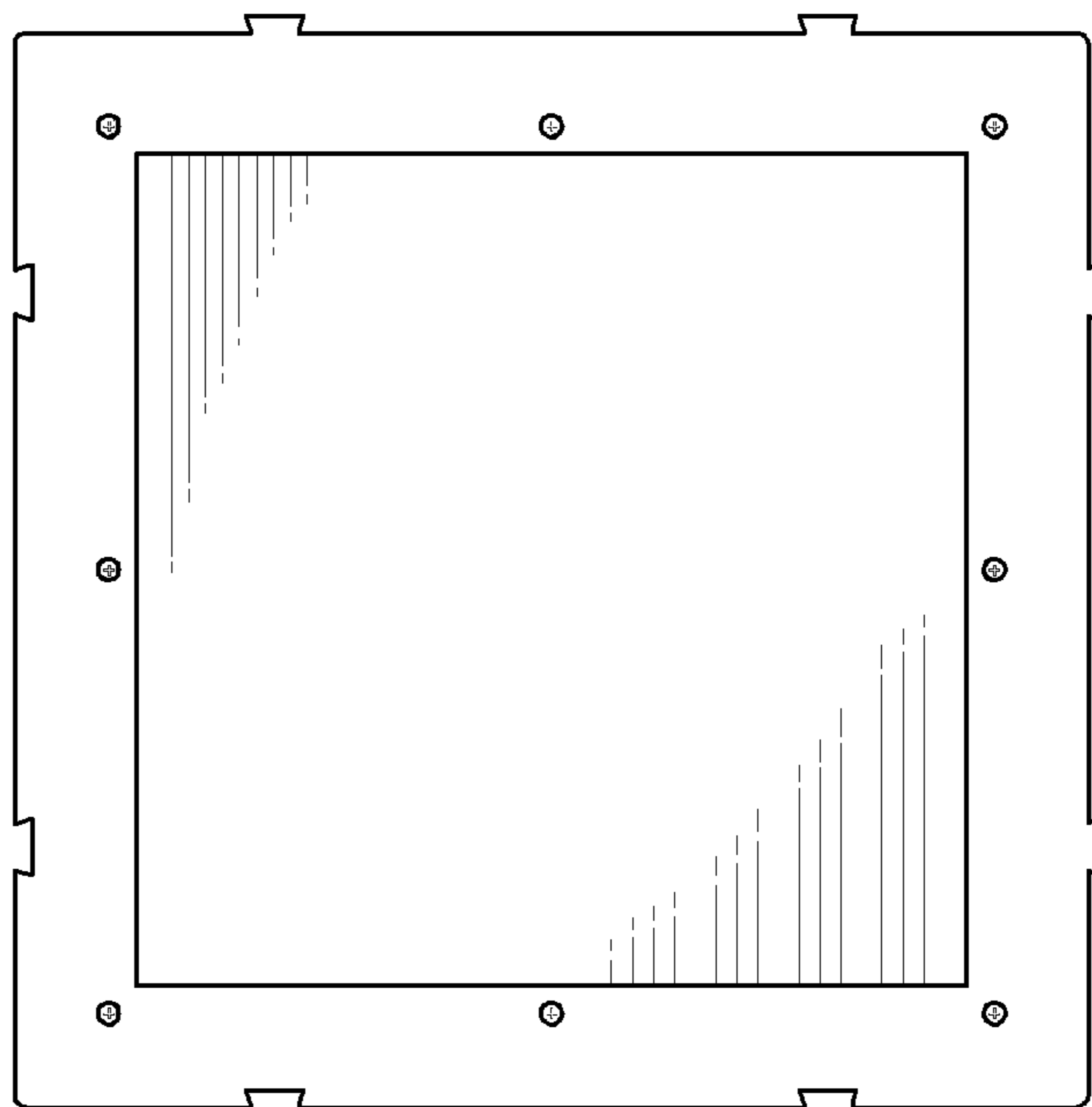


FIG. 5

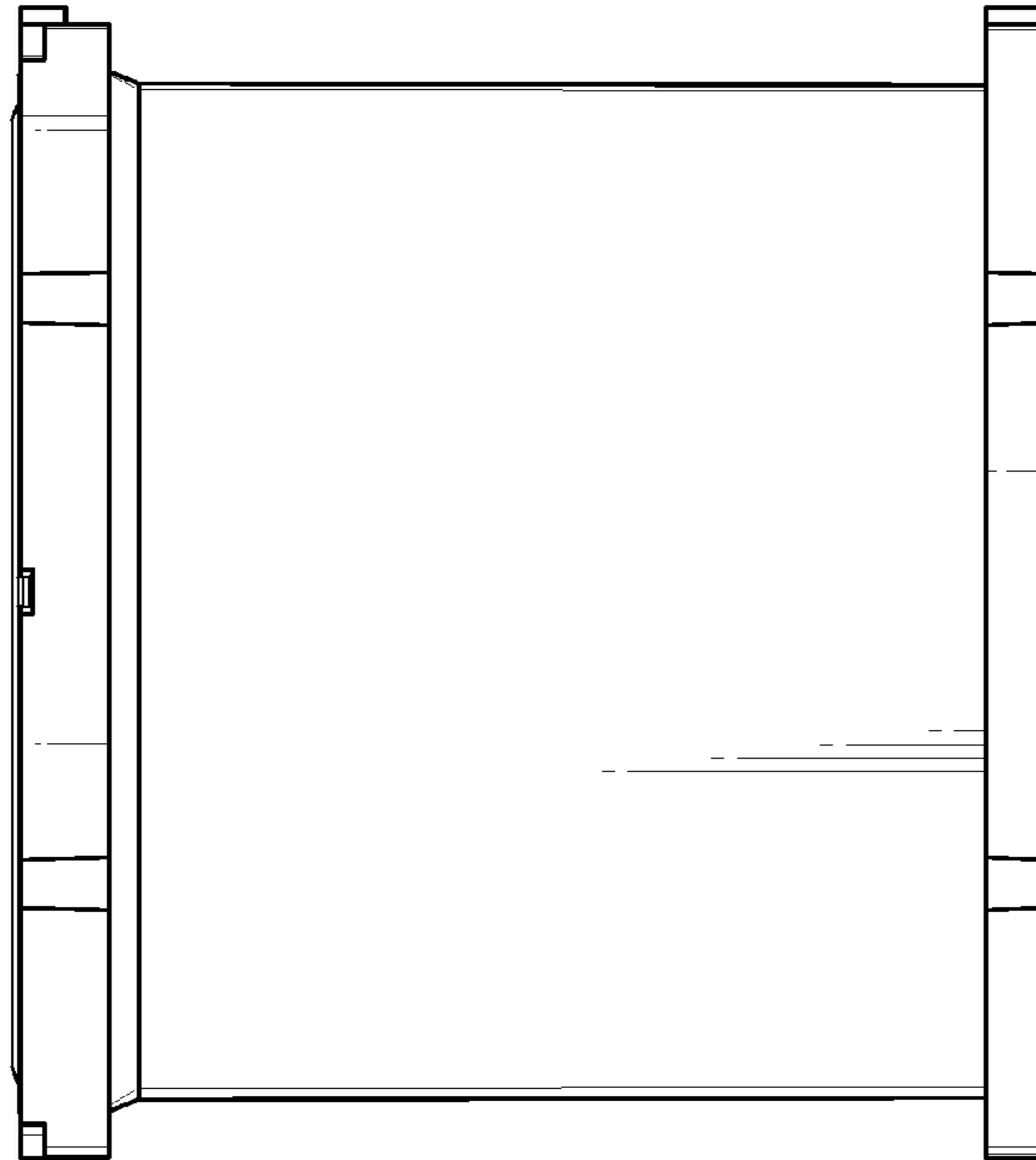


FIG. 6

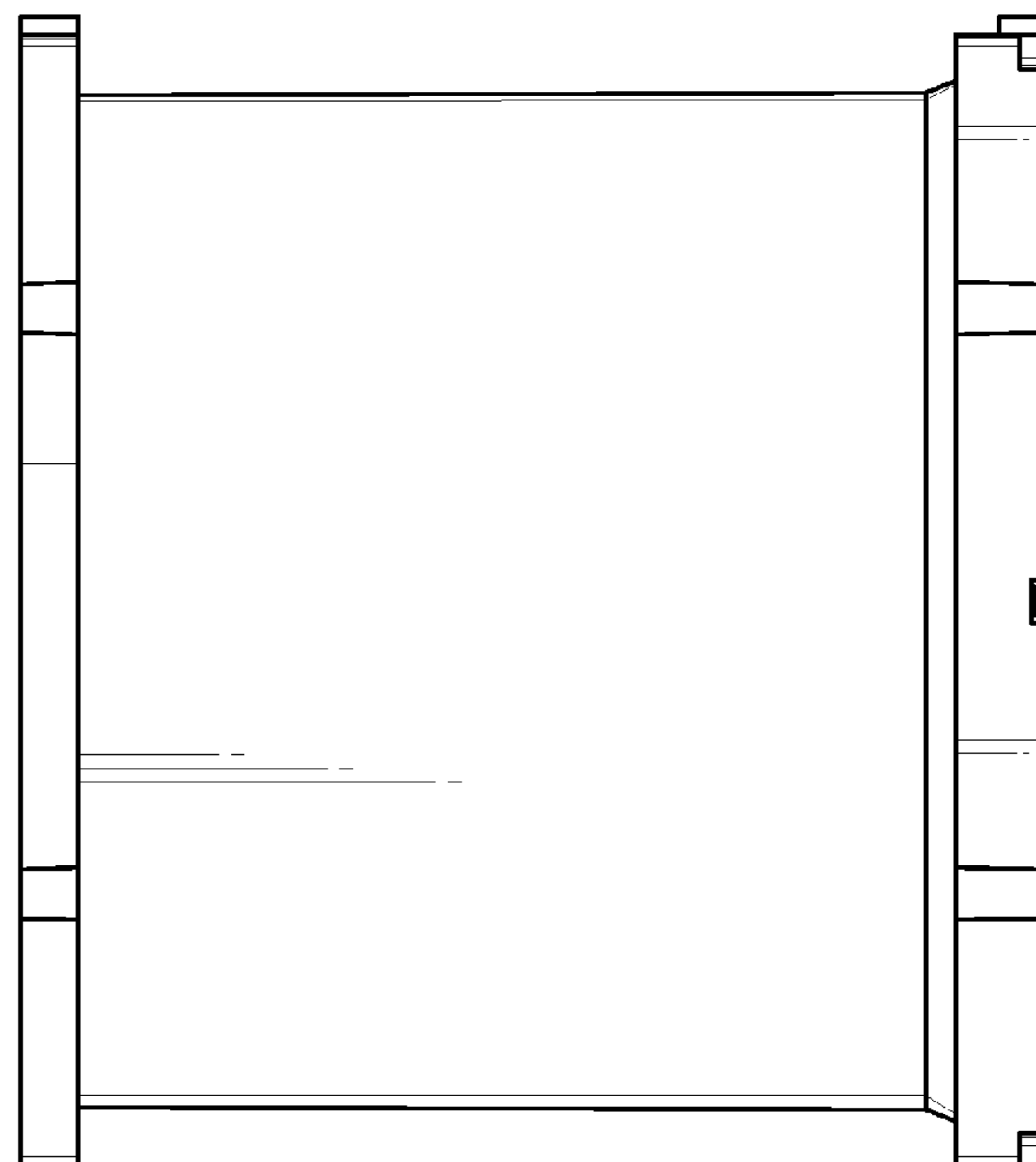


FIG. 7

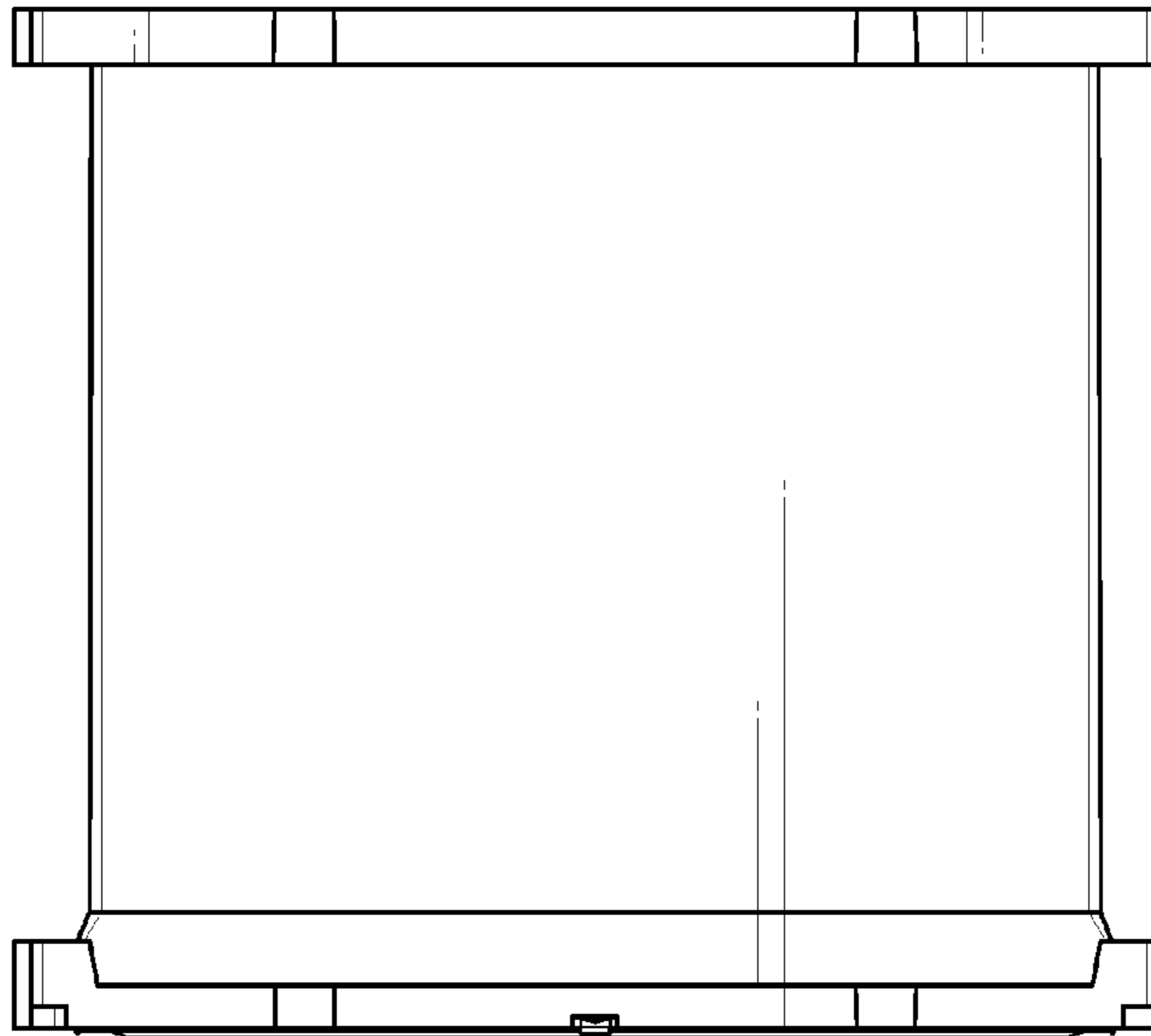
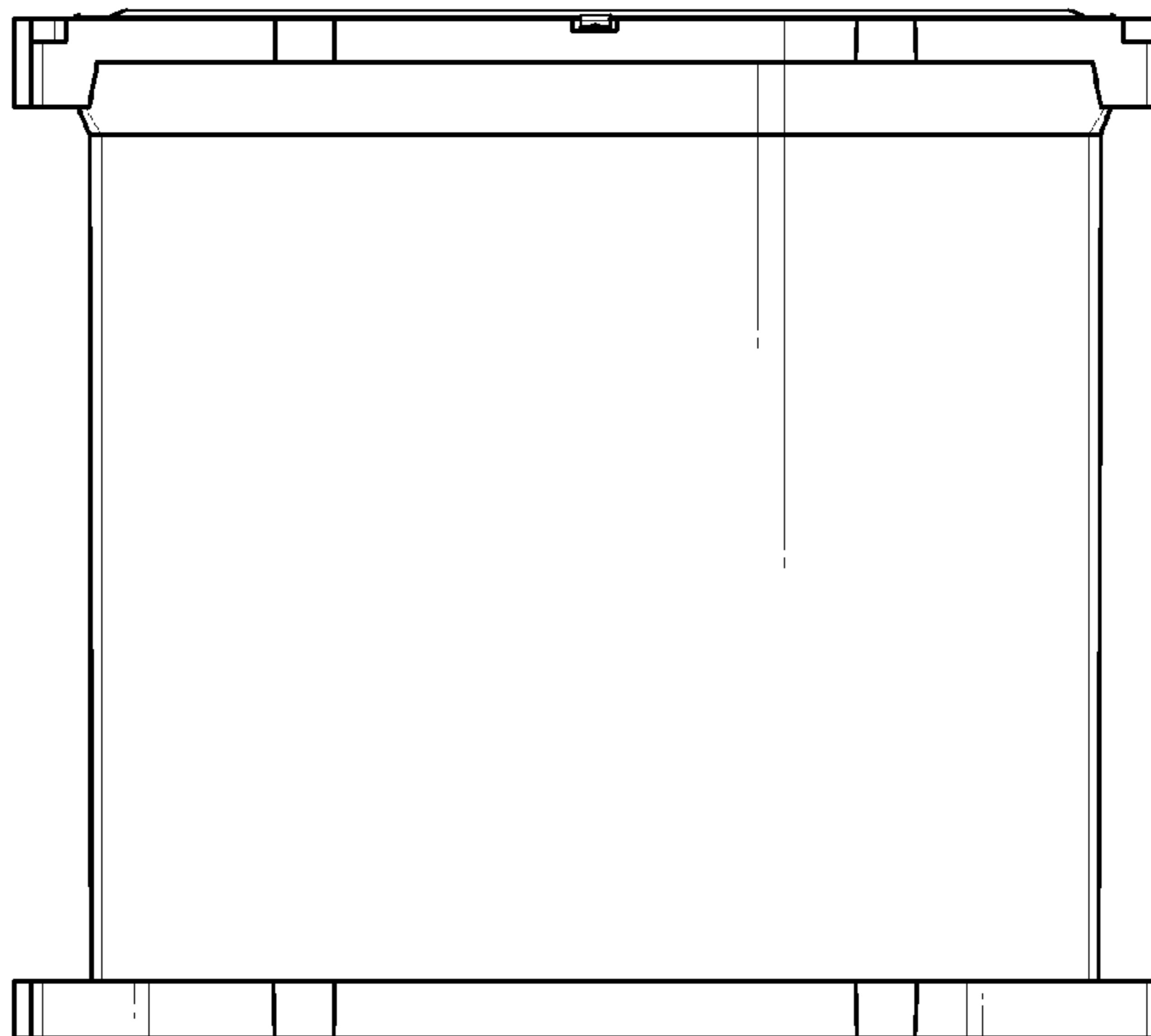


FIG. 8



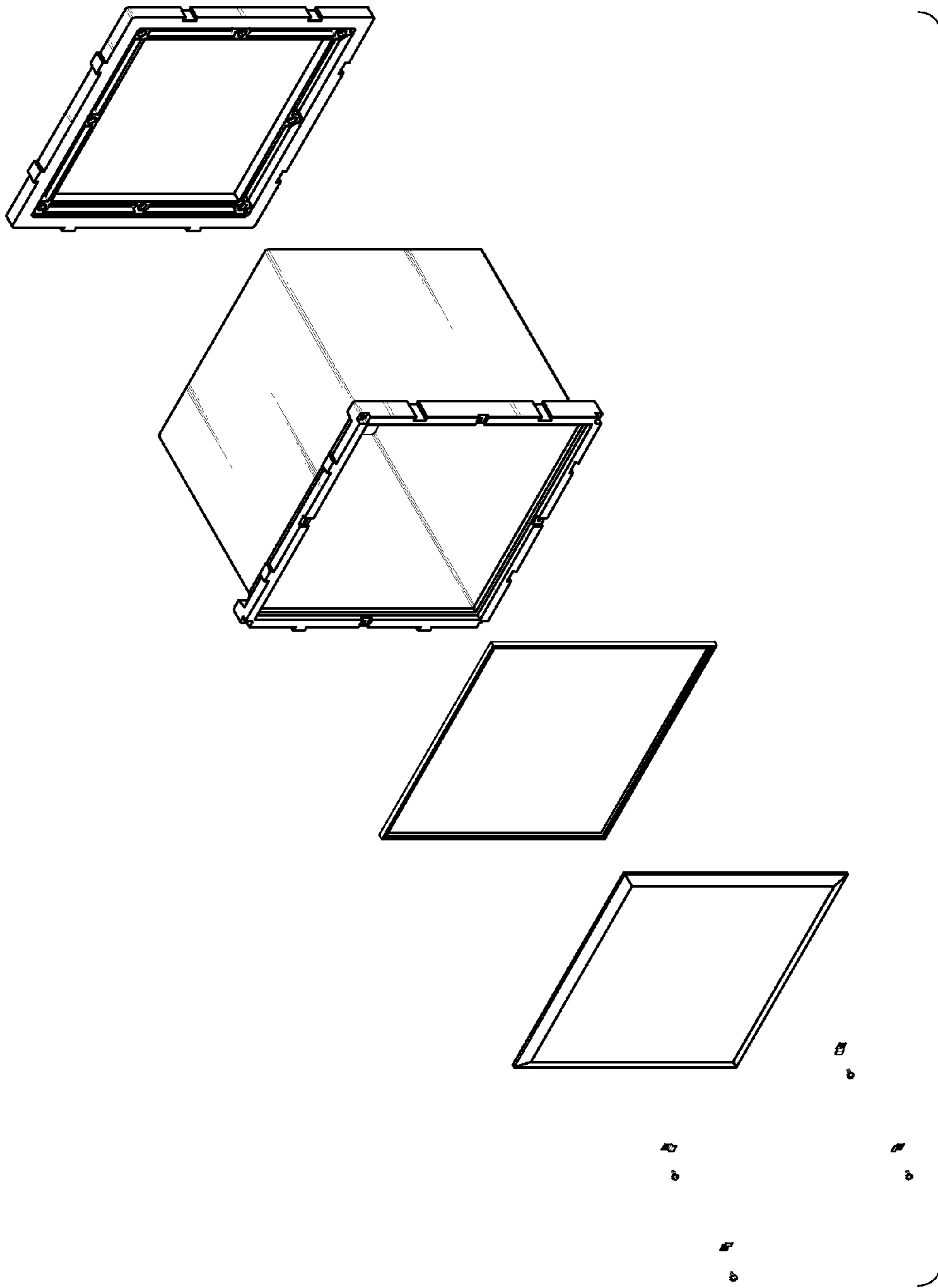


FIG. 9

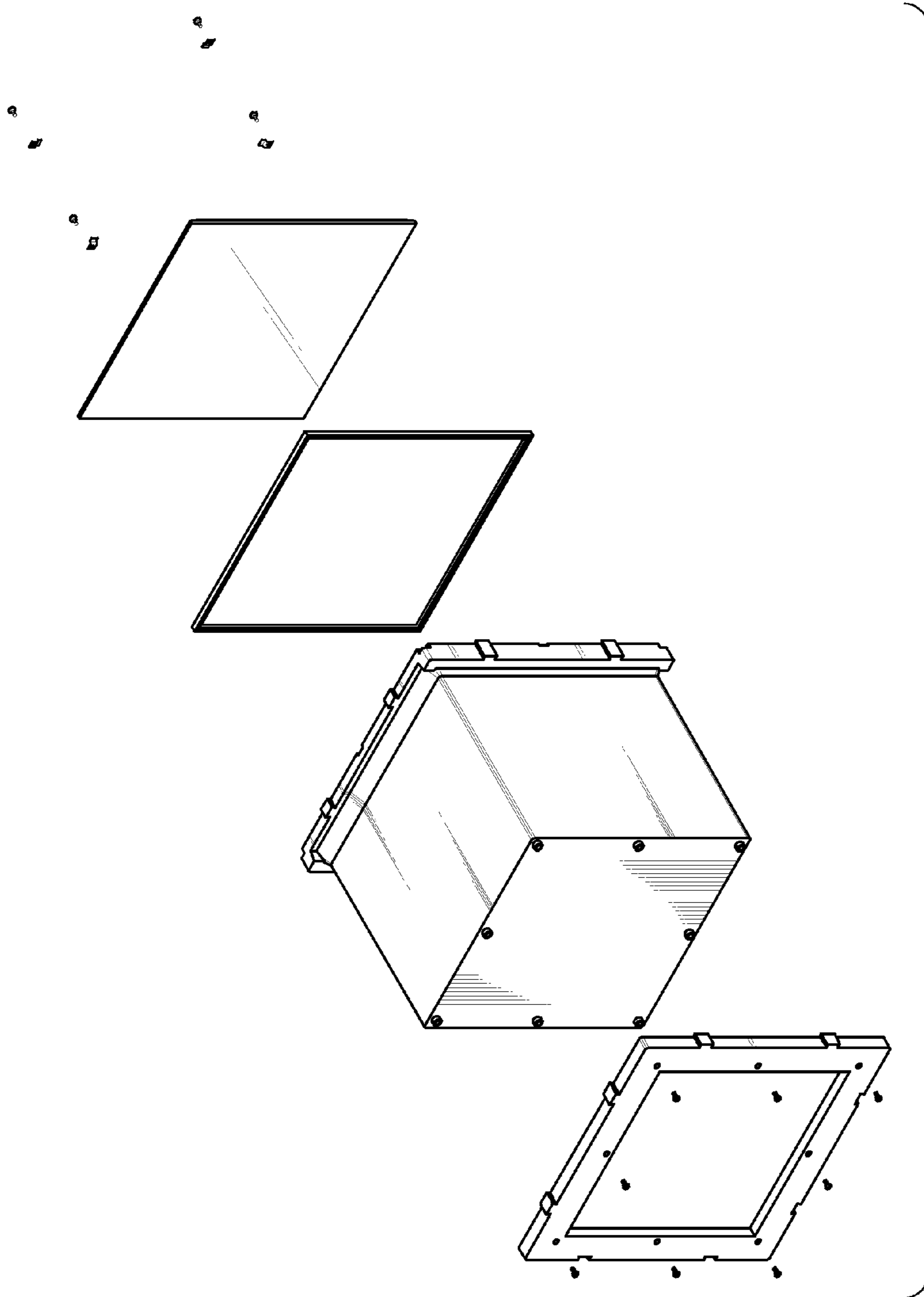


FIG. 10

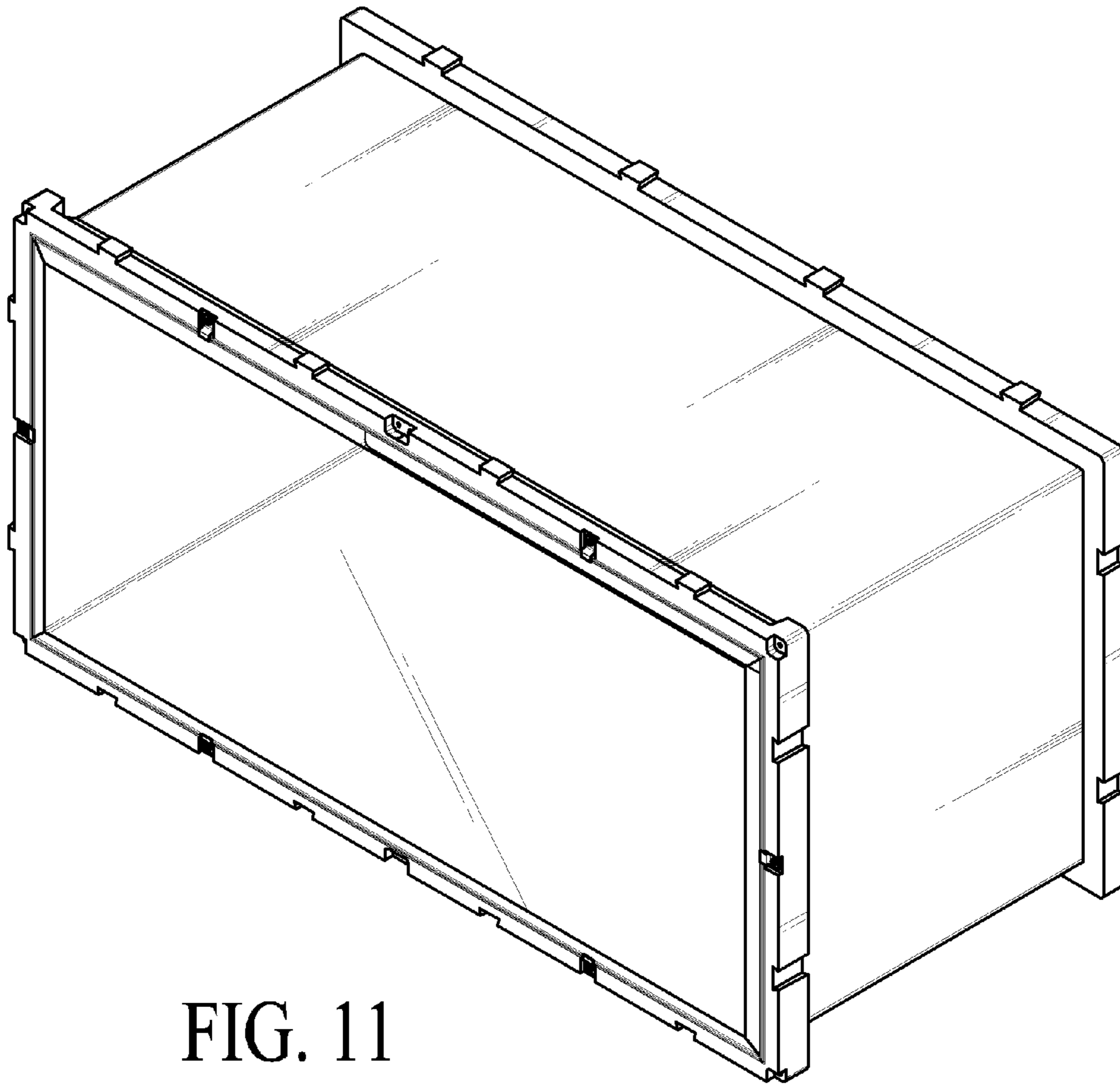


FIG. 11

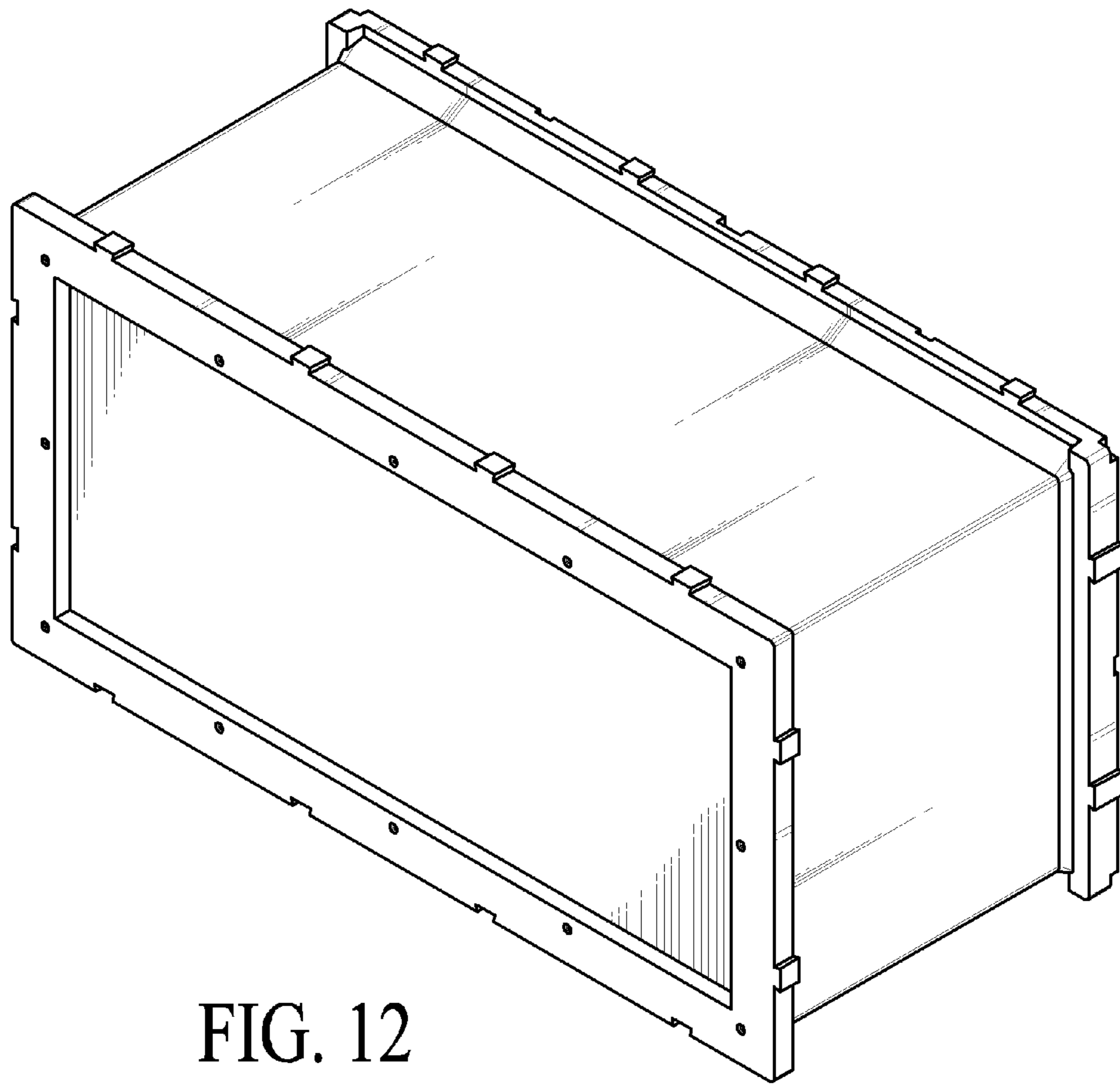


FIG. 12

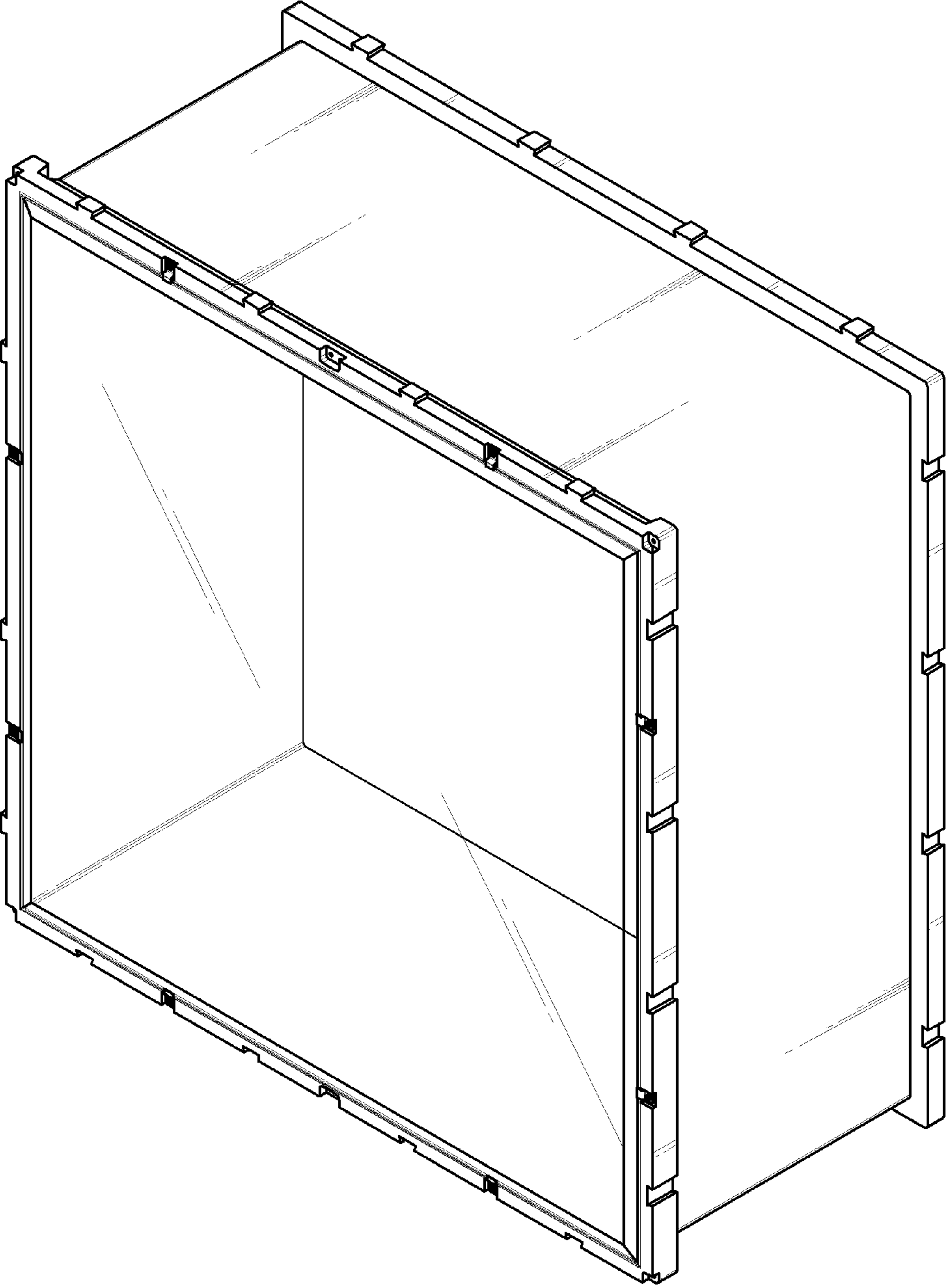


FIG. 13

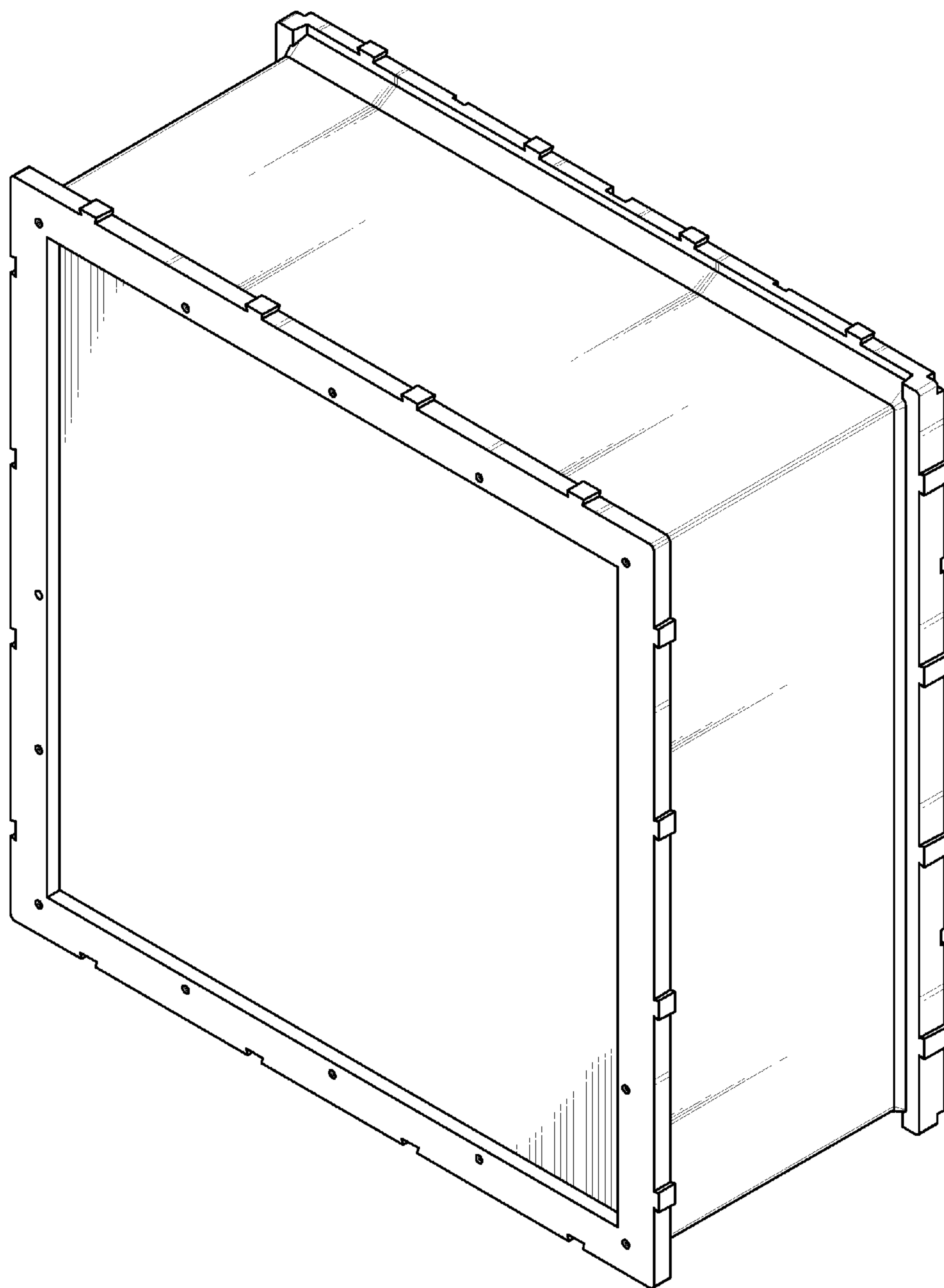


FIG. 14

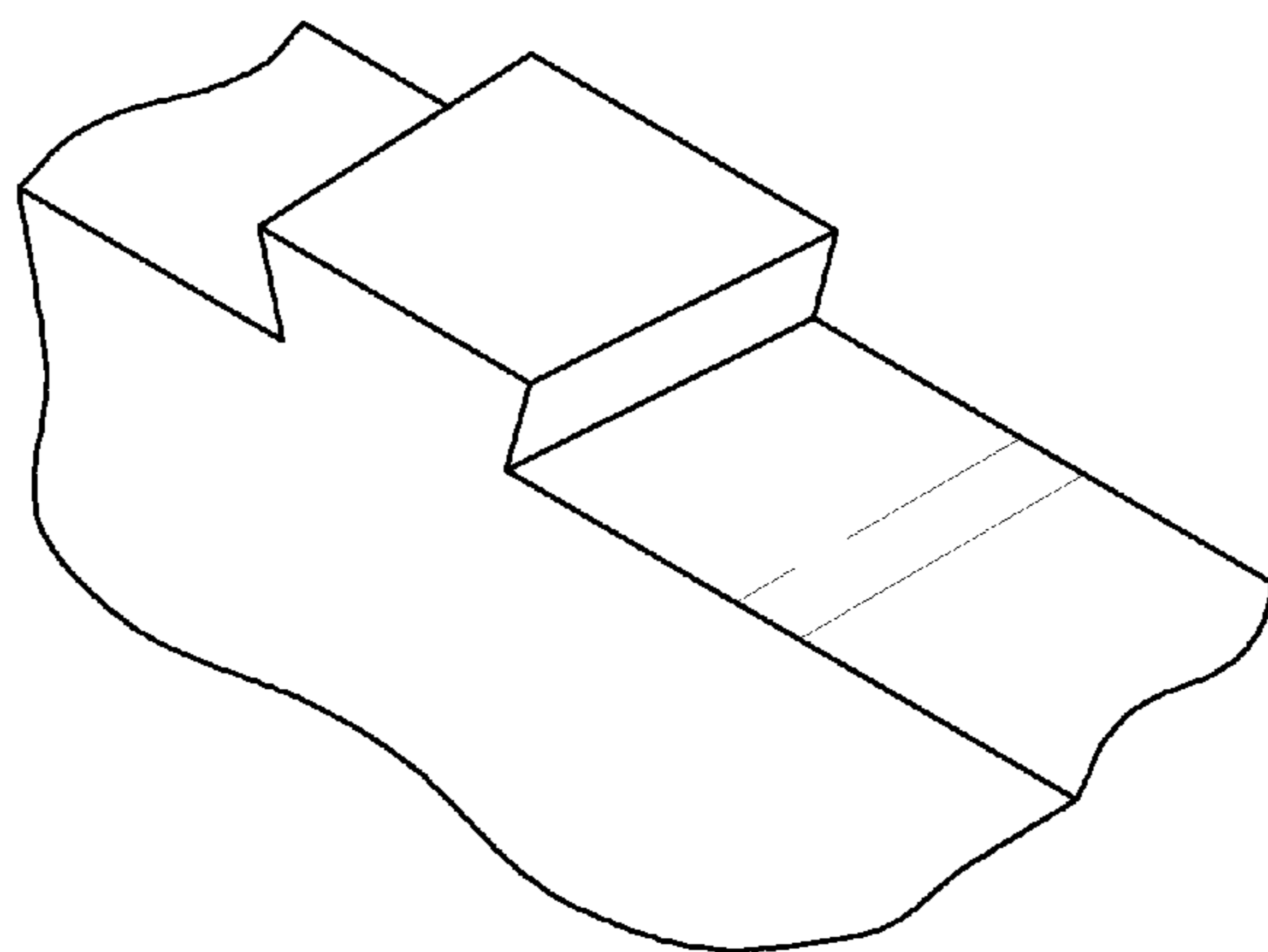


FIG. 15

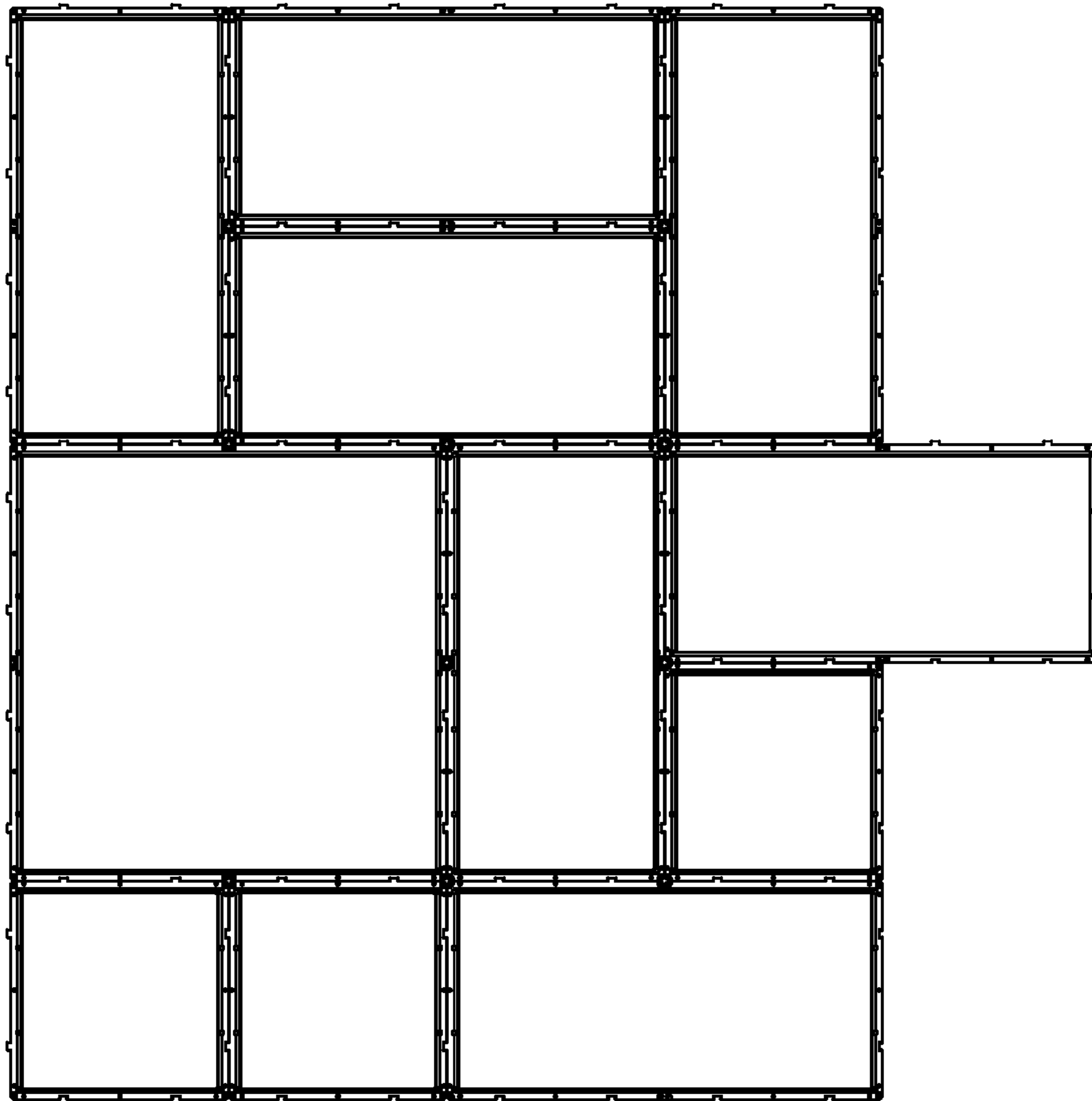


FIG. 16