



US00D696525S

(12) **United States Design Patent**  
**Fernandes et al.**

(10) **Patent No.:** **US D696,525 S**

(45) **Date of Patent:** **\*\* Dec. 31, 2013**

(54) **CHAIR**

(75) Inventors: **Cesar Fernandes, Cambridge (CA); Gary Neil, Mississauga (CA)**

(73) Assignee: **Allseating Corporation, Mississauga (CA)**

(\*\*) Term: **14 Years**

(21) Appl. No.: **29/424,403**

(22) Filed: **Jun. 12, 2012**

(51) **LOC (9) Cl.** ..... **06-01**

(52) **U.S. Cl.**  
USPC ..... **D6/379**

(58) **Field of Classification Search**

USPC ..... D6/317-373, 374, 375, 376, 379, 380,  
D6/716, 716.1, 716.2, 716.3, 716.4, 717;  
297/239, 411.42, 445.1, 446.1, 452.29,  
297/452.48

See application file for complete search history.

(56) **References Cited**

**U.S. PATENT DOCUMENTS**

D190,908 S *	7/1961	Kasparian .....	D6/379
D409,408 S *	5/1999	James et al. ....	D6/379
D580,676 S *	11/2008	Cramer et al. ....	D6/379
D593,338 S *	6/2009	Schweikarth et al. ....	D6/379
D604,519 S *	11/2009	Beckley et al. ....	D6/334
D615,782 S *	5/2010	Beckley et al. ....	D6/717
D663,131 S *	7/2012	Barefoot et al. ....	D6/374
D686,010 S *	7/2013	Cramer et al. ....	D6/379

\* cited by examiner

*Primary Examiner* — Mimosa De

(74) *Attorney, Agent, or Firm* — Lorelei G. Graham

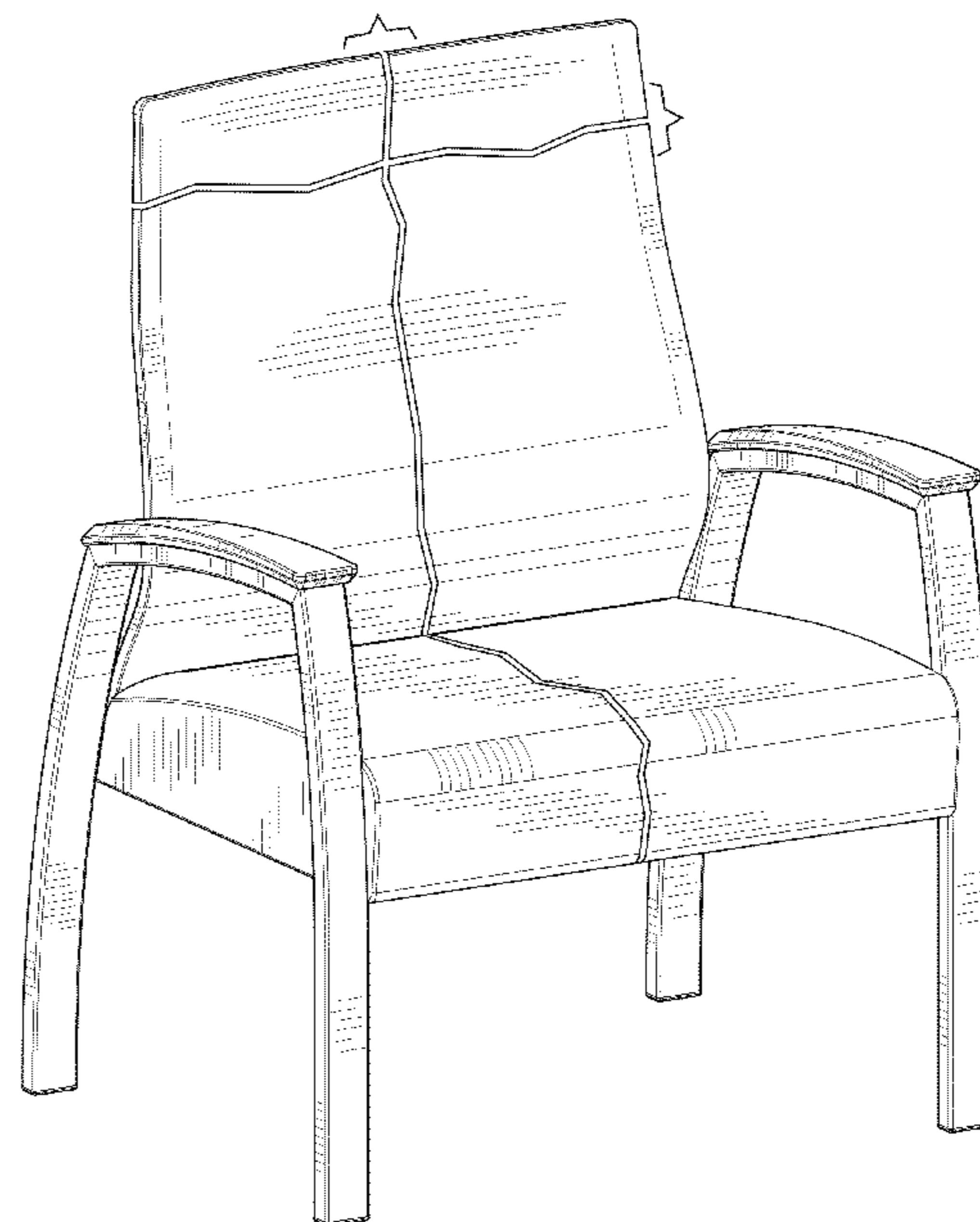
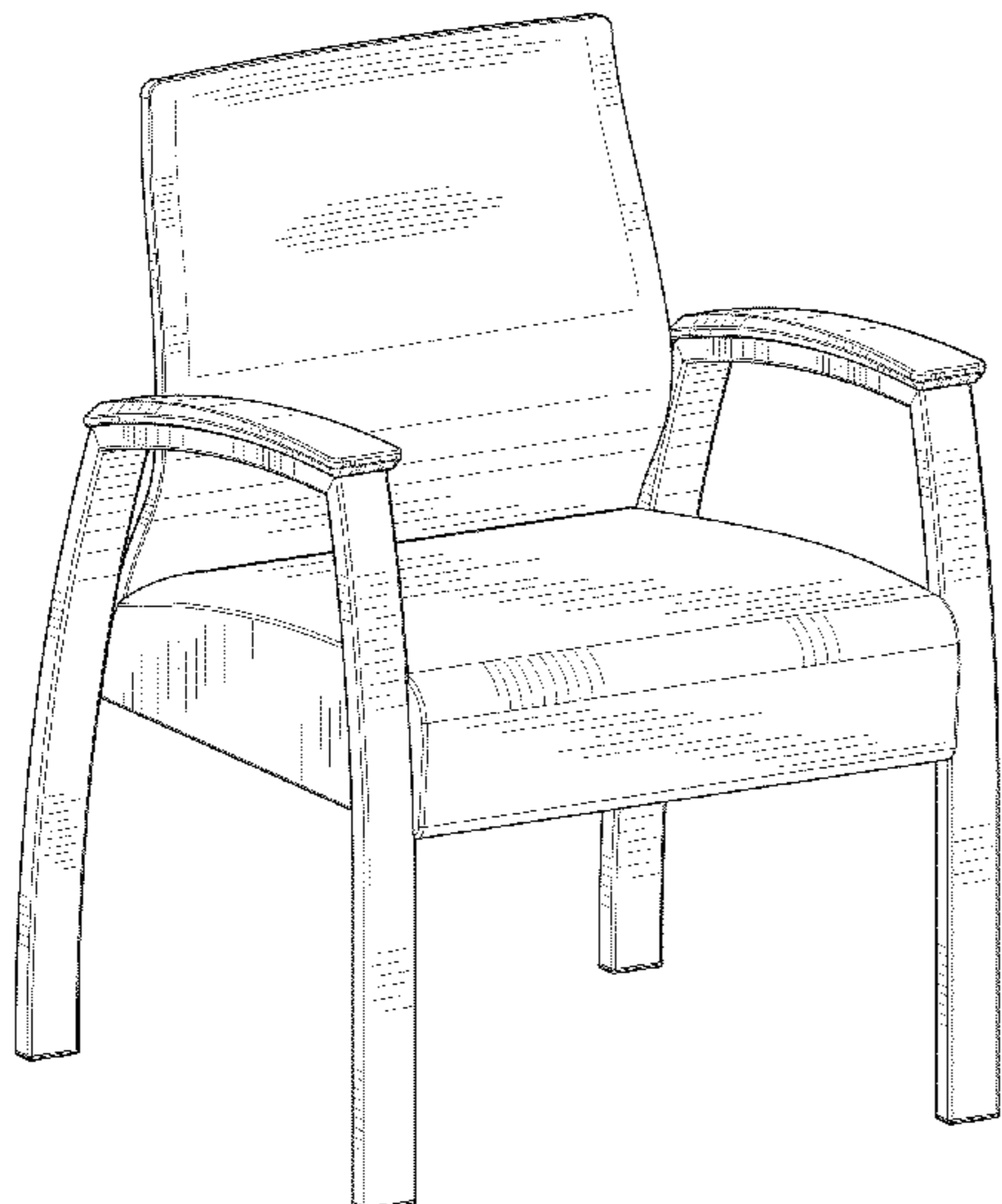
(57) **CLAIM**

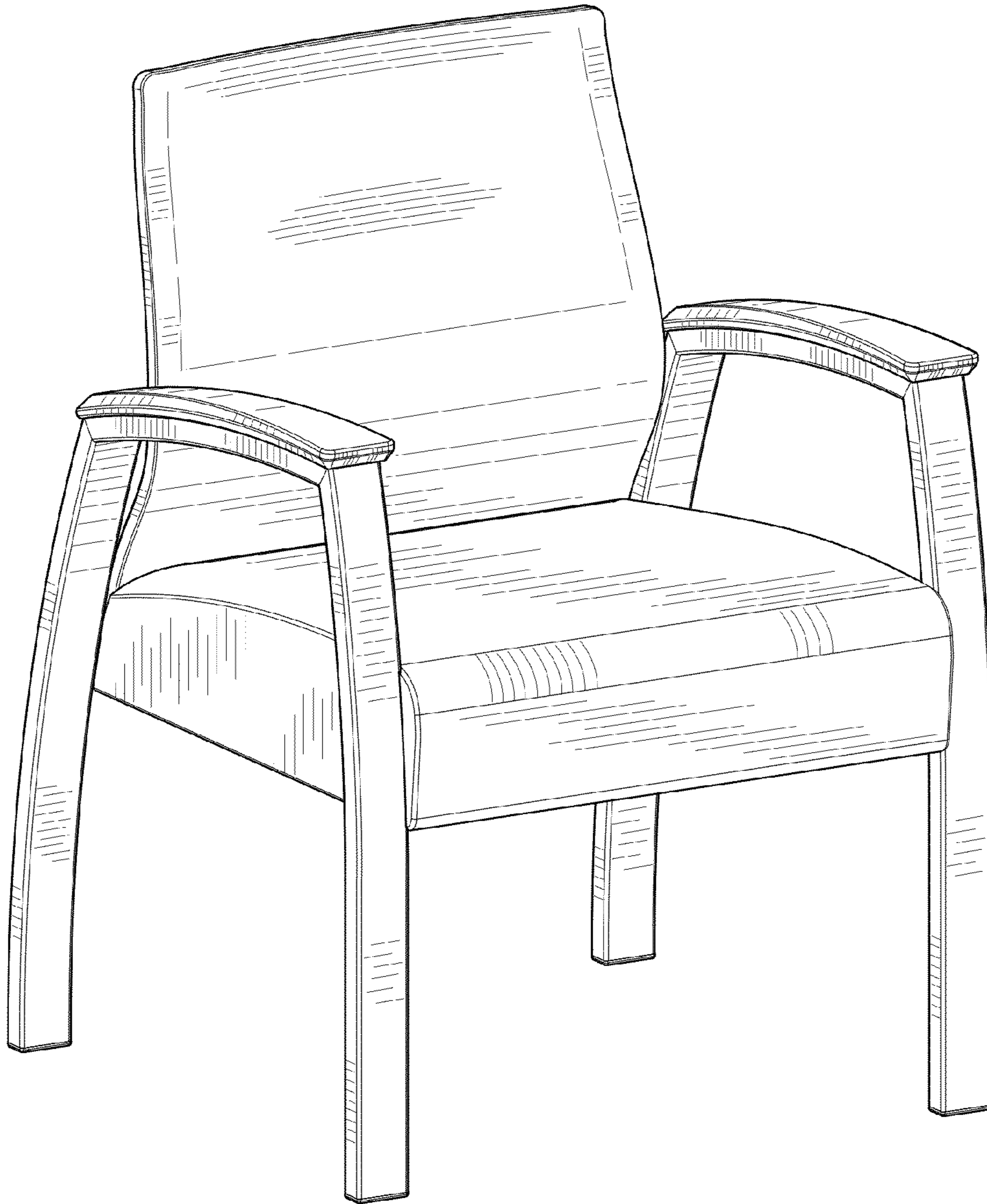
The ornamental design for the chair, as shown and described.

**DESCRIPTION**

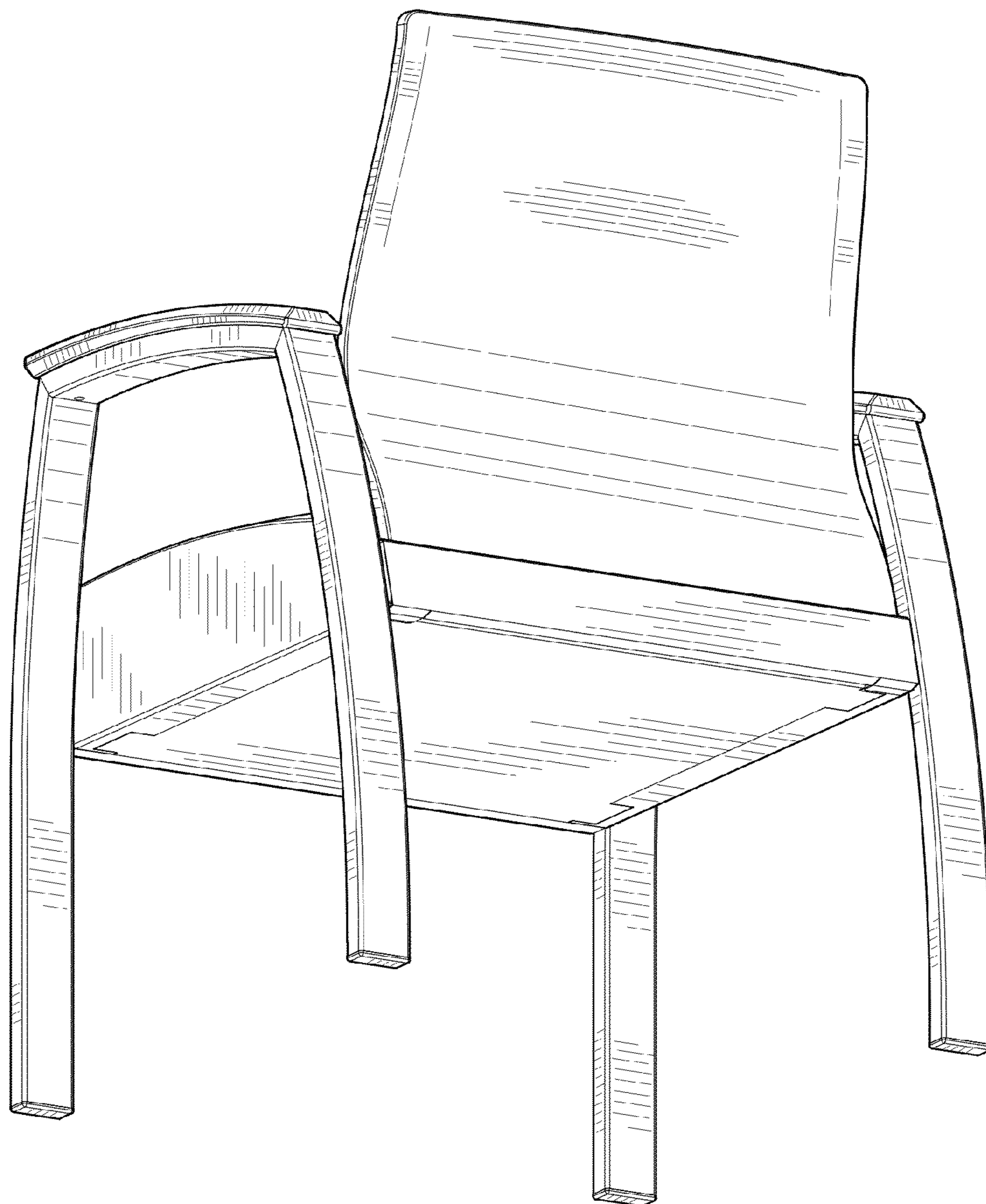
FIG. 1 is a front perspective view of the chair.  
 FIG. 2 is a back perspective view of the chair.  
 FIG. 3 is a right side view of the chair.  
 FIG. 4 is a front view of the chair.  
 FIG. 5 is a left side view of the chair.  
 FIG. 6 is a back view of the chair.  
 FIG. 7 is a top view of the chair.  
 FIG. 8 is a bottom view of the chair.  
 FIG. 9 is a front perspective view of the second embodiment chair.  
 FIG. 10 is a back perspective view of the second embodiment chair.  
 FIG. 11 is a right side view of the second embodiment chair.  
 FIG. 12 is a front view of the second embodiment chair.  
 FIG. 13 is a left side view of the second embodiment chair.  
 FIG. 14 is a back view of the second embodiment chair.  
 FIG. 15 is a top view of the second embodiment chair.  
 FIG. 16 is a bottom view of the second embodiment chair.  
 FIG. 17 is a front perspective view of the third embodiment chair.  
 FIG. 18 is a back perspective view of the third embodiment chair.  
 FIG. 19 is a right side view of the third embodiment chair.  
 FIG. 20 is a front view of the third embodiment chair.  
 FIG. 21 is a left side view of the third embodiment chair.  
 FIG. 22 is a back view of the third embodiment chair.  
 FIG. 23 is a top view of the third embodiment chair; and,  
 FIG. 24 is a bottom view of the third embodiment chair.  
 The broken away symbols in the drawings indicate the appearance of any portion of the article between the break lines forms no part of the claimed design.

**1 Claim, 17 Drawing Sheets**





**FIG. 1**



**FIG. 2**

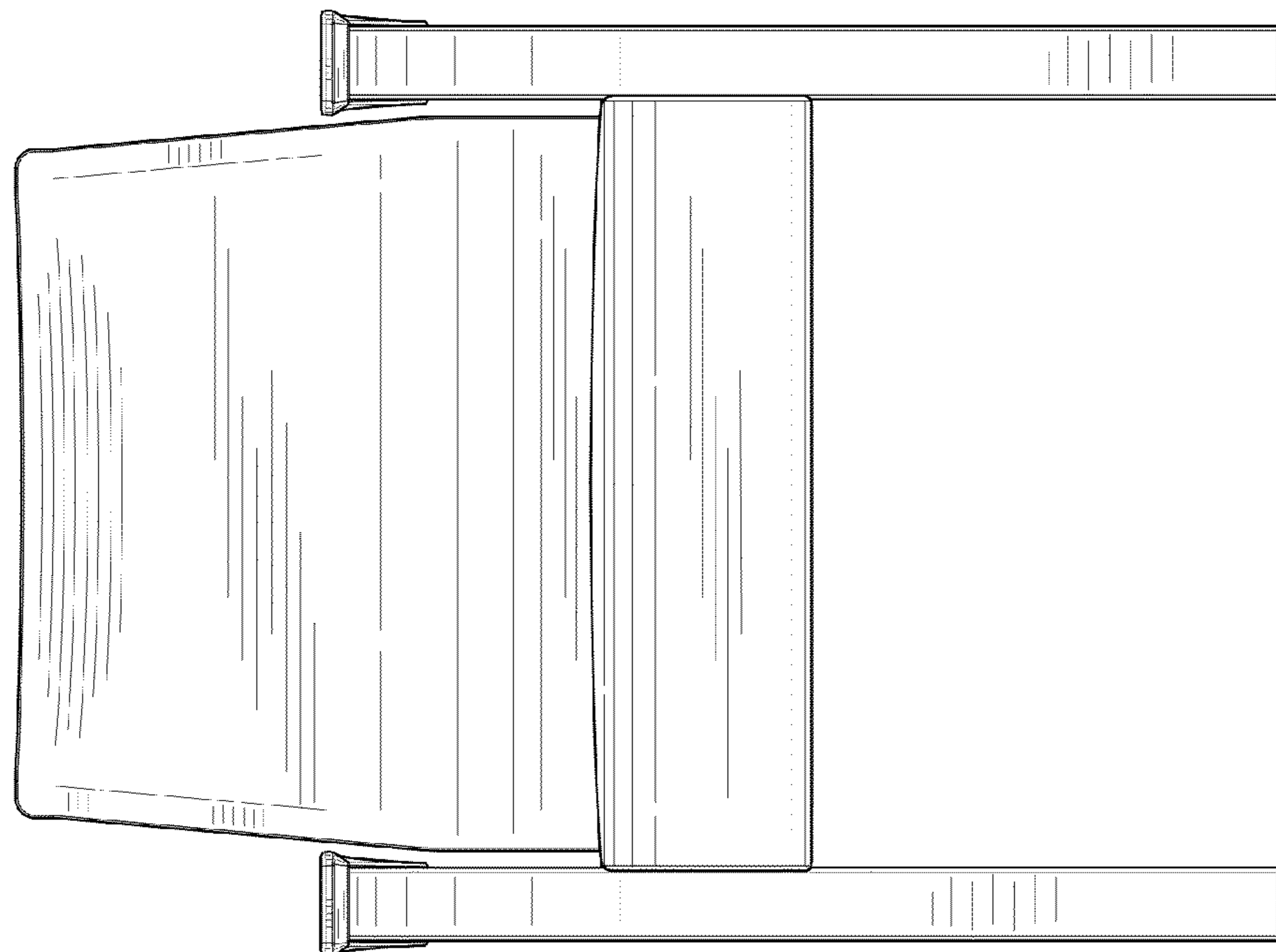


FIG. 4

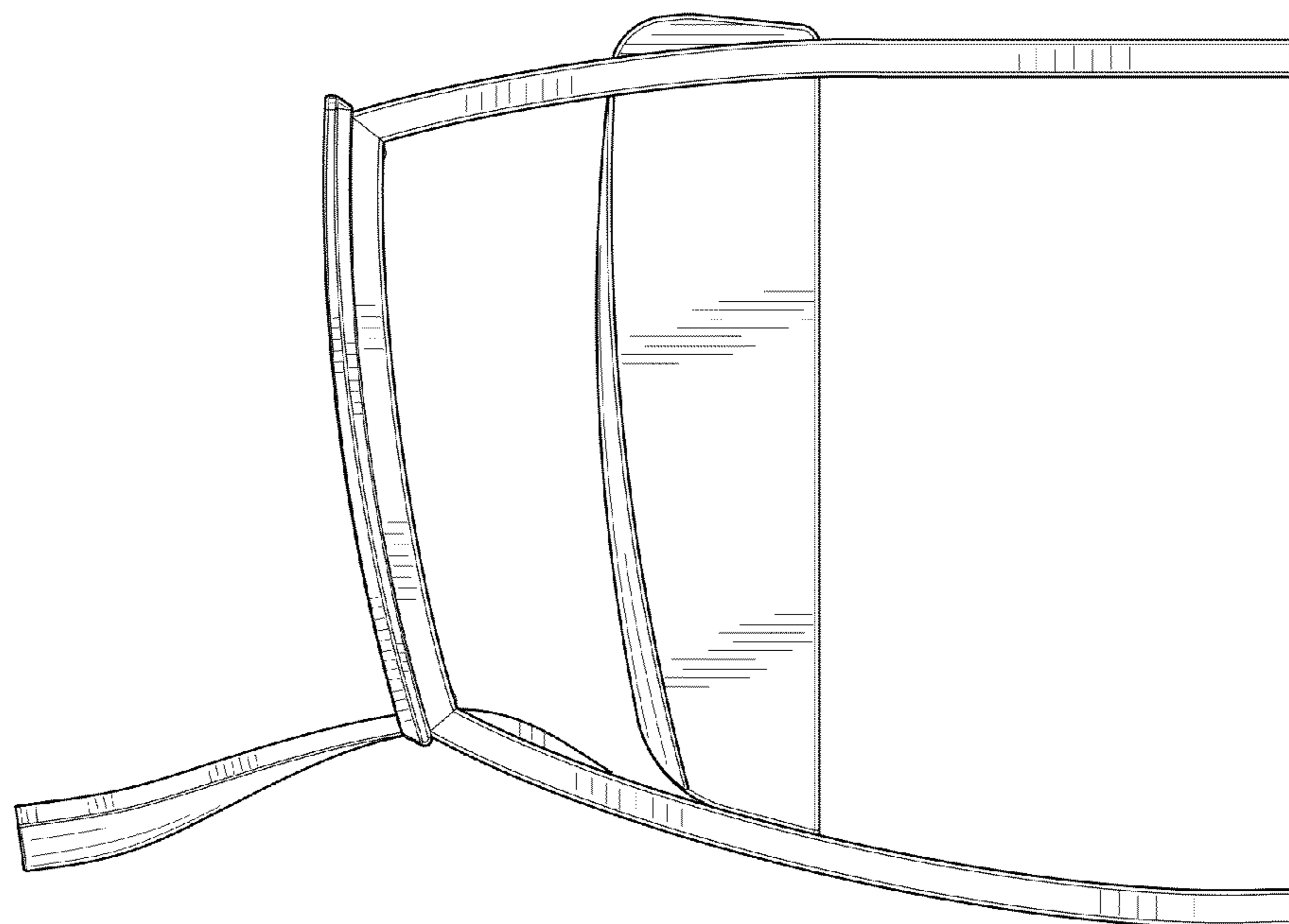
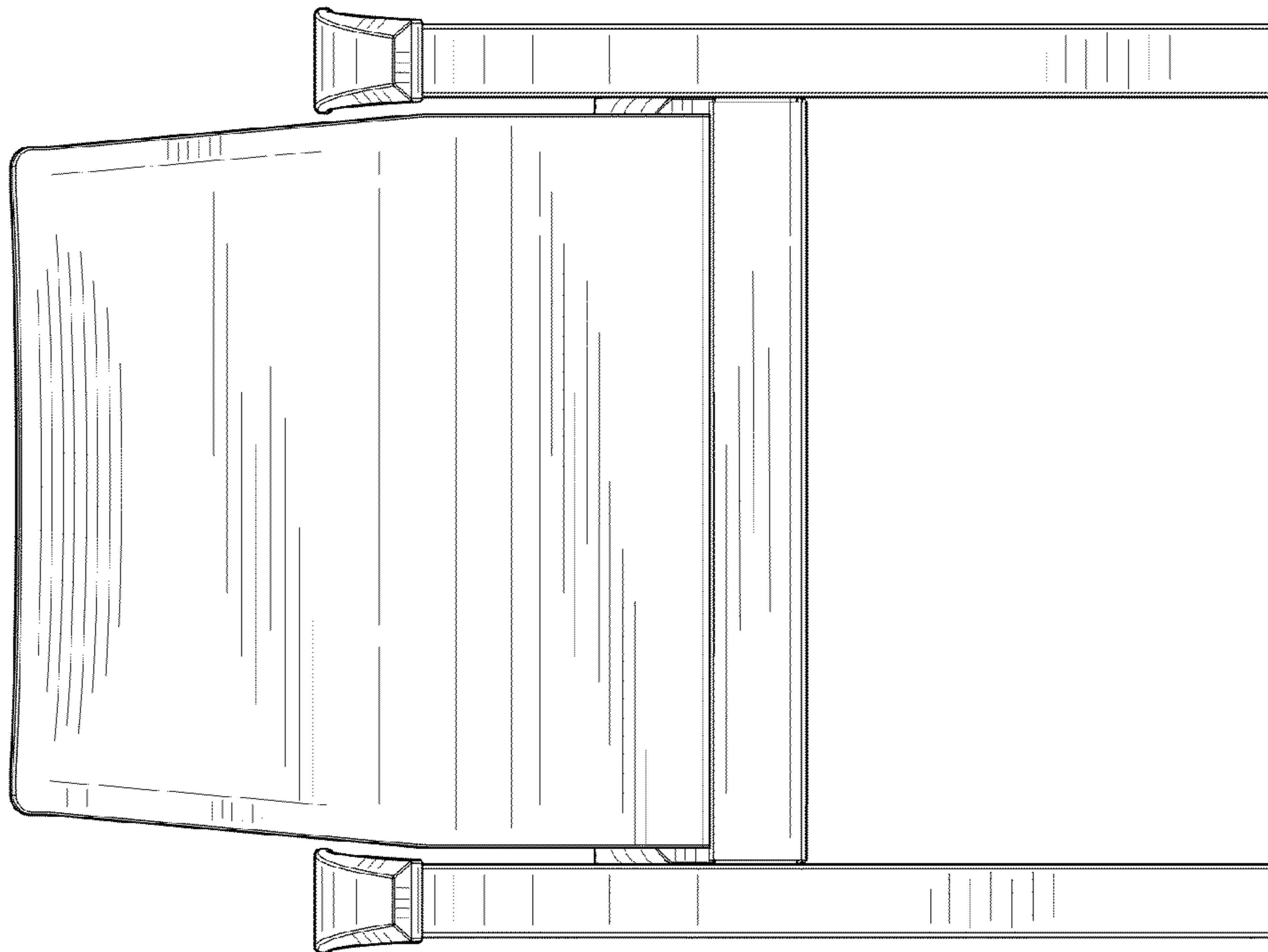
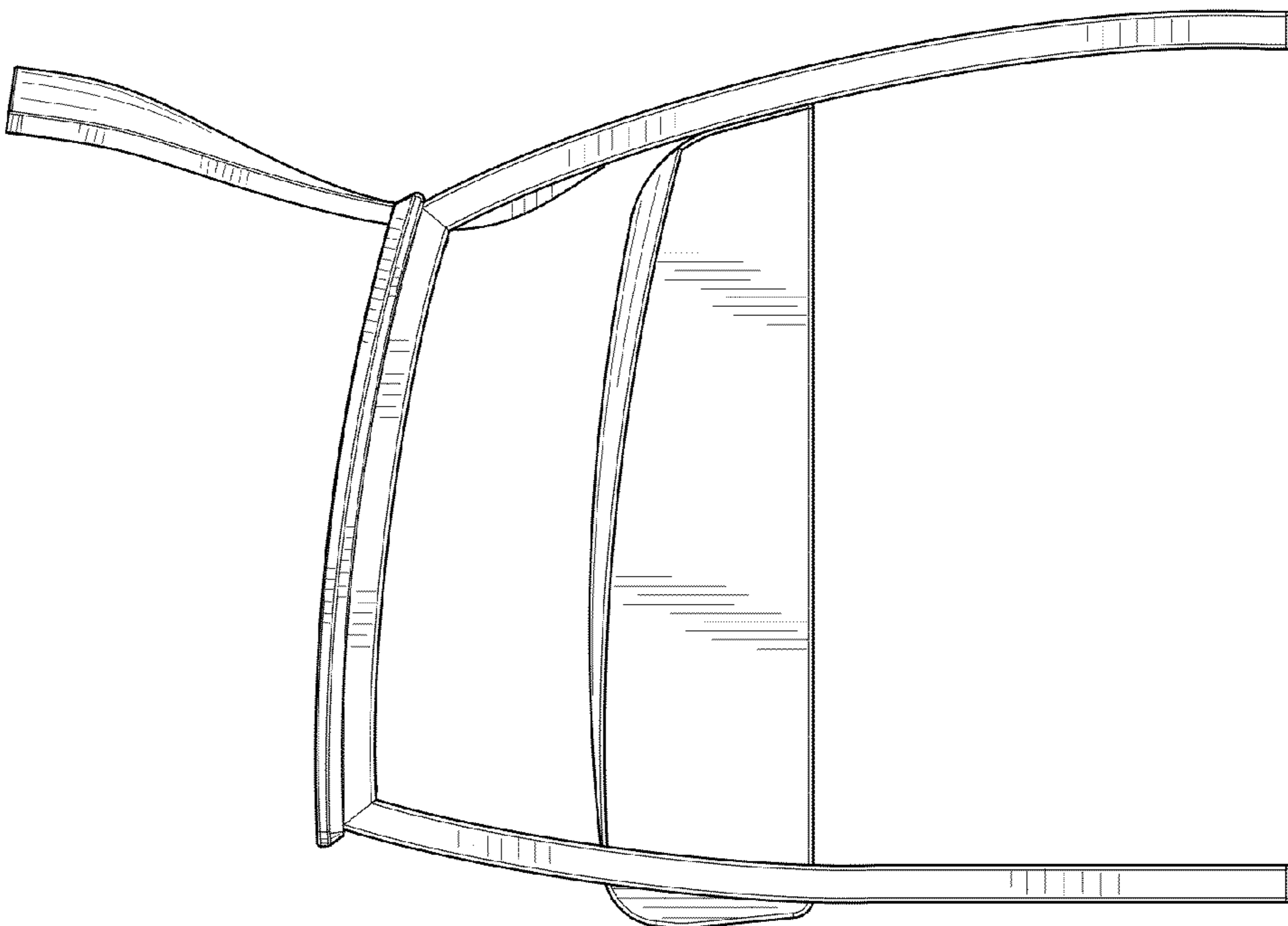


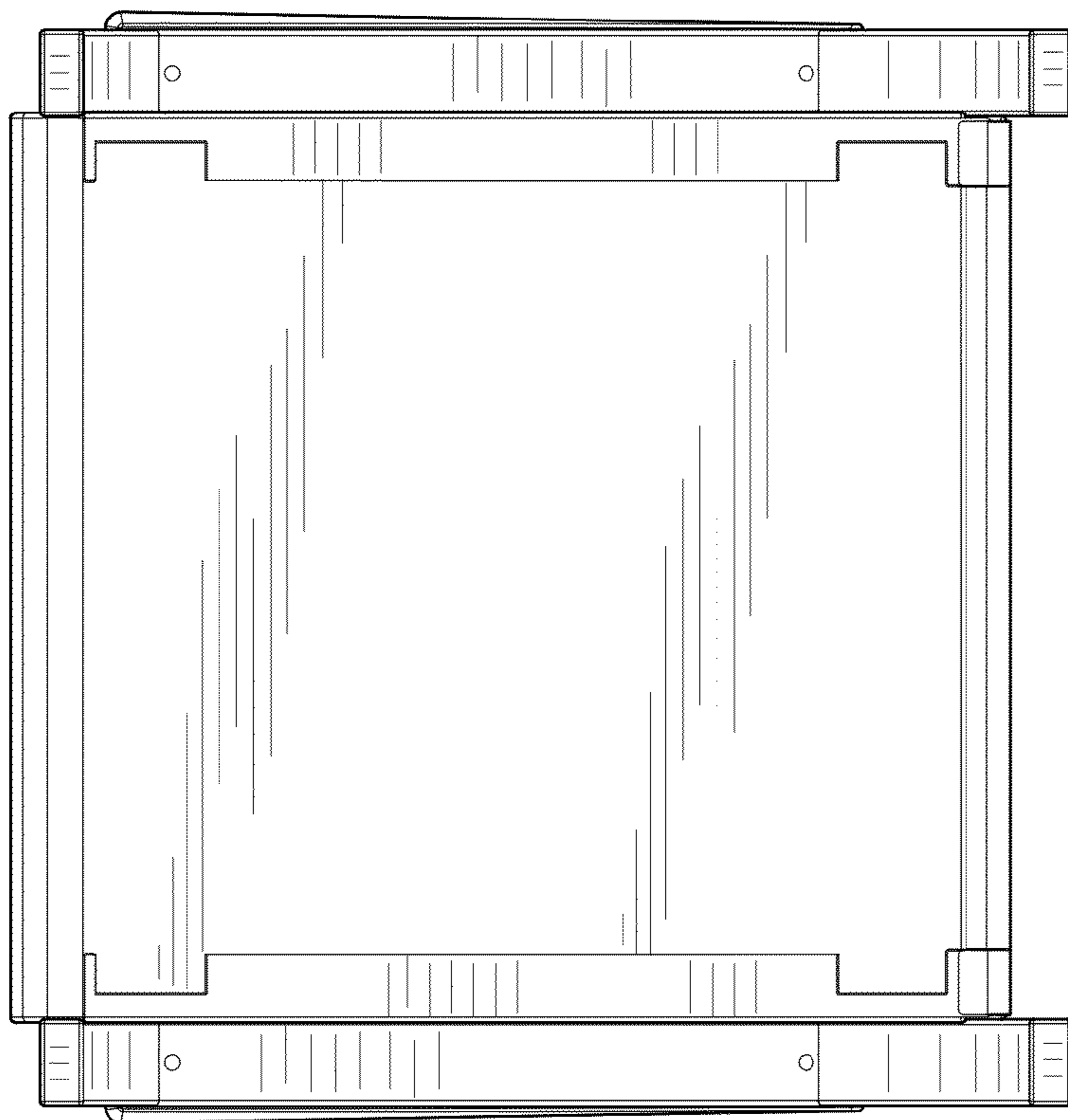
FIG. 3



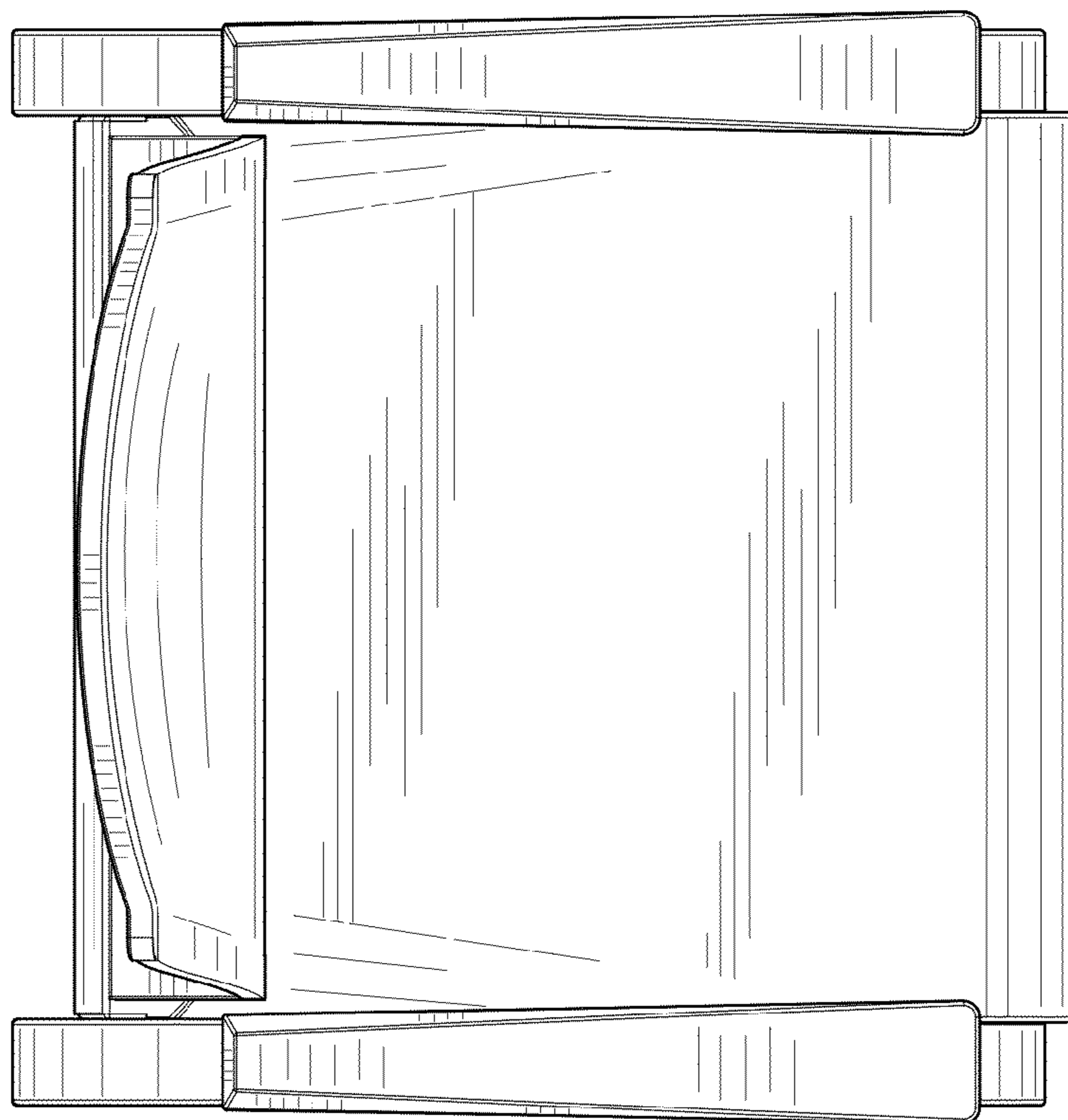
**FIG. 6**



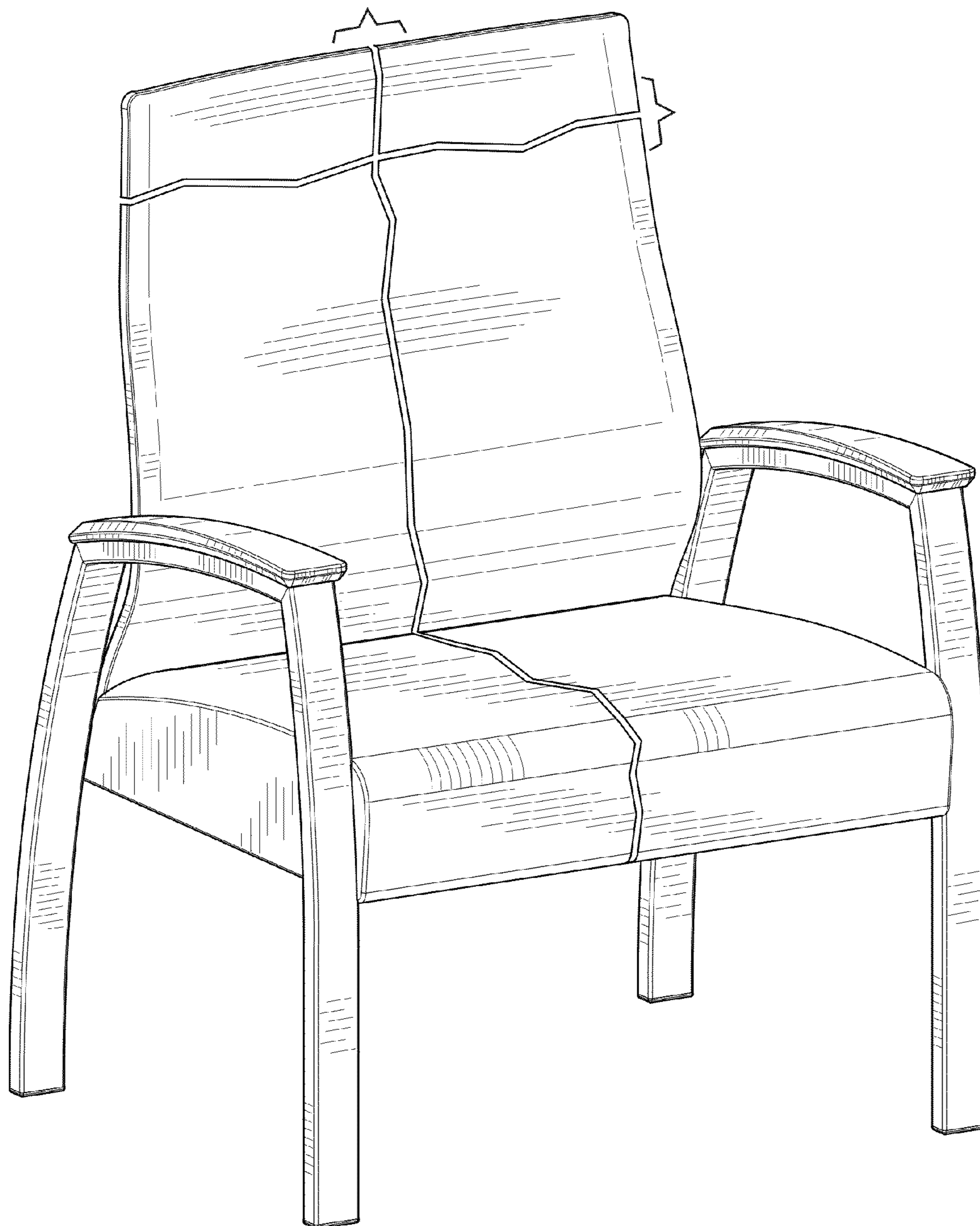
**FIG. 5**



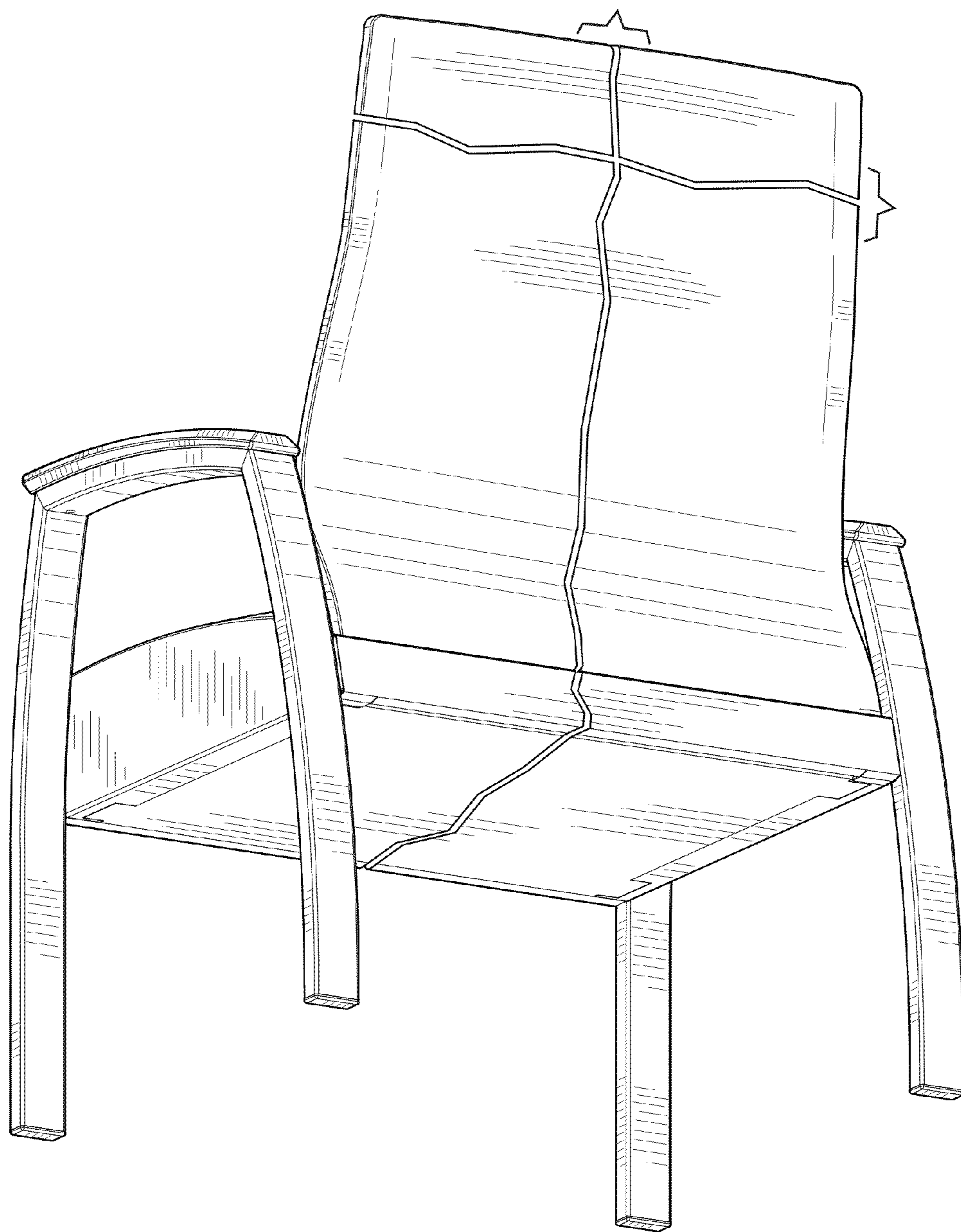
**FIG. 8**



**FIG. 7**



**FIG. 9**



**FIG. 10**



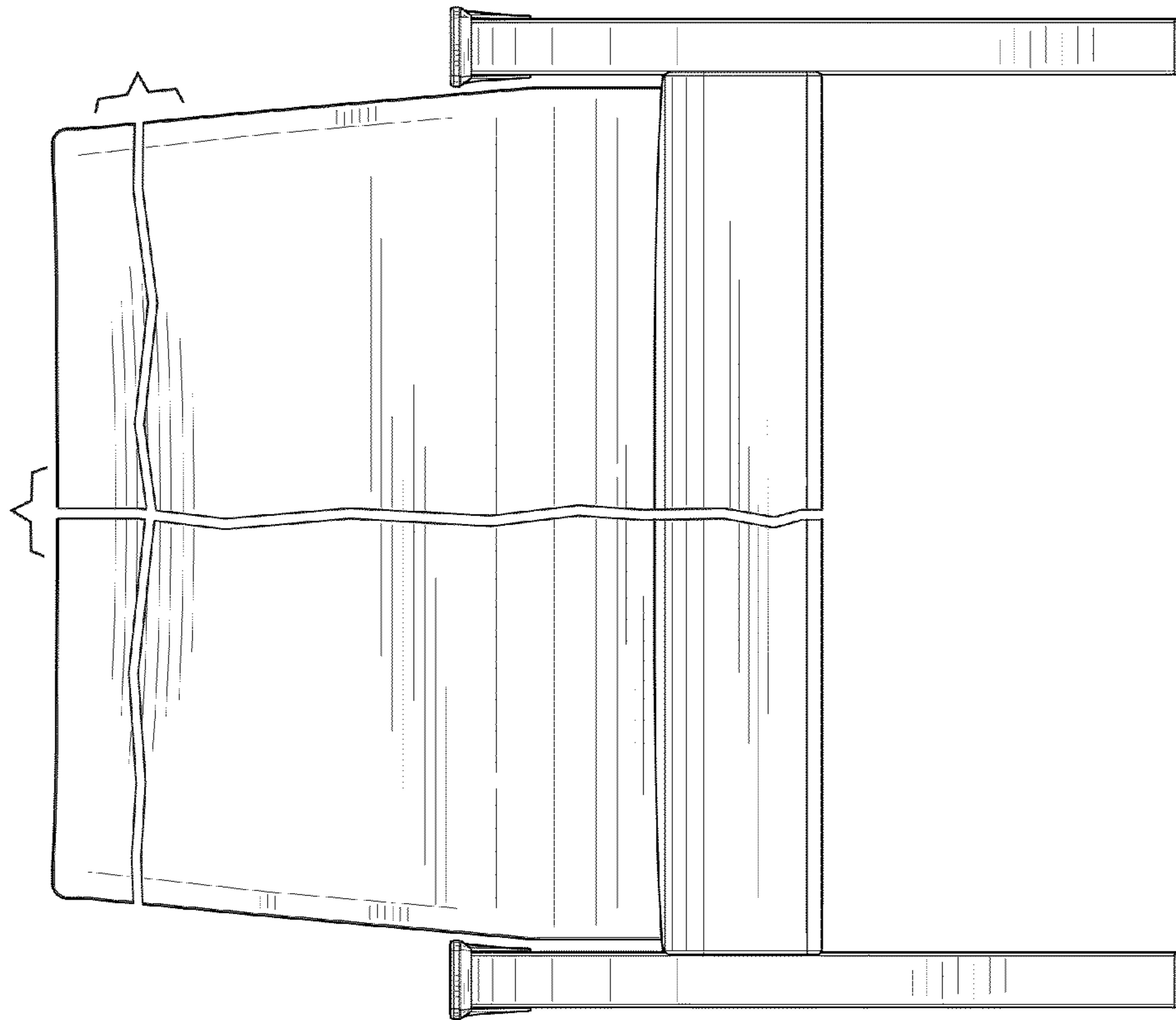


FIG. 12

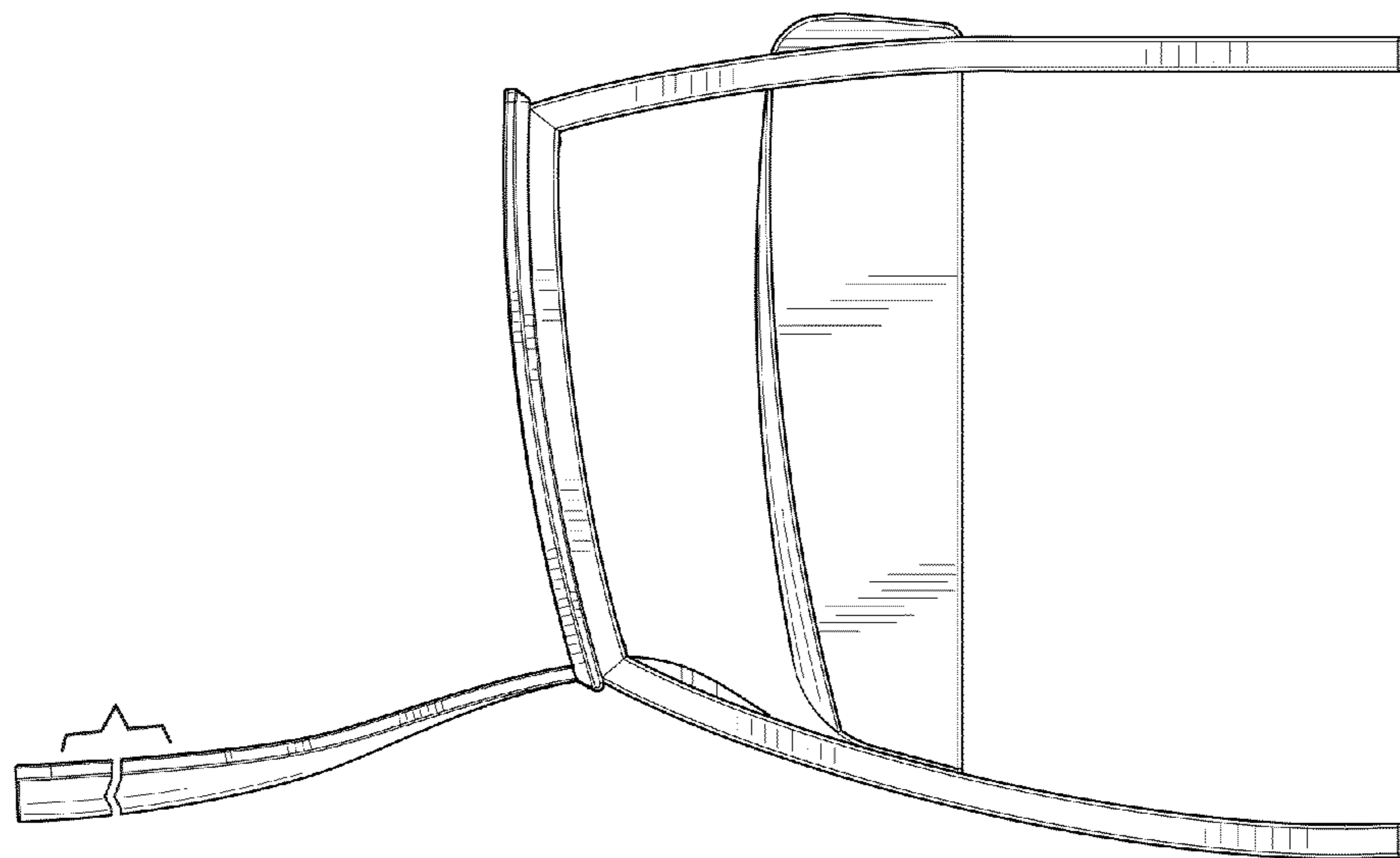
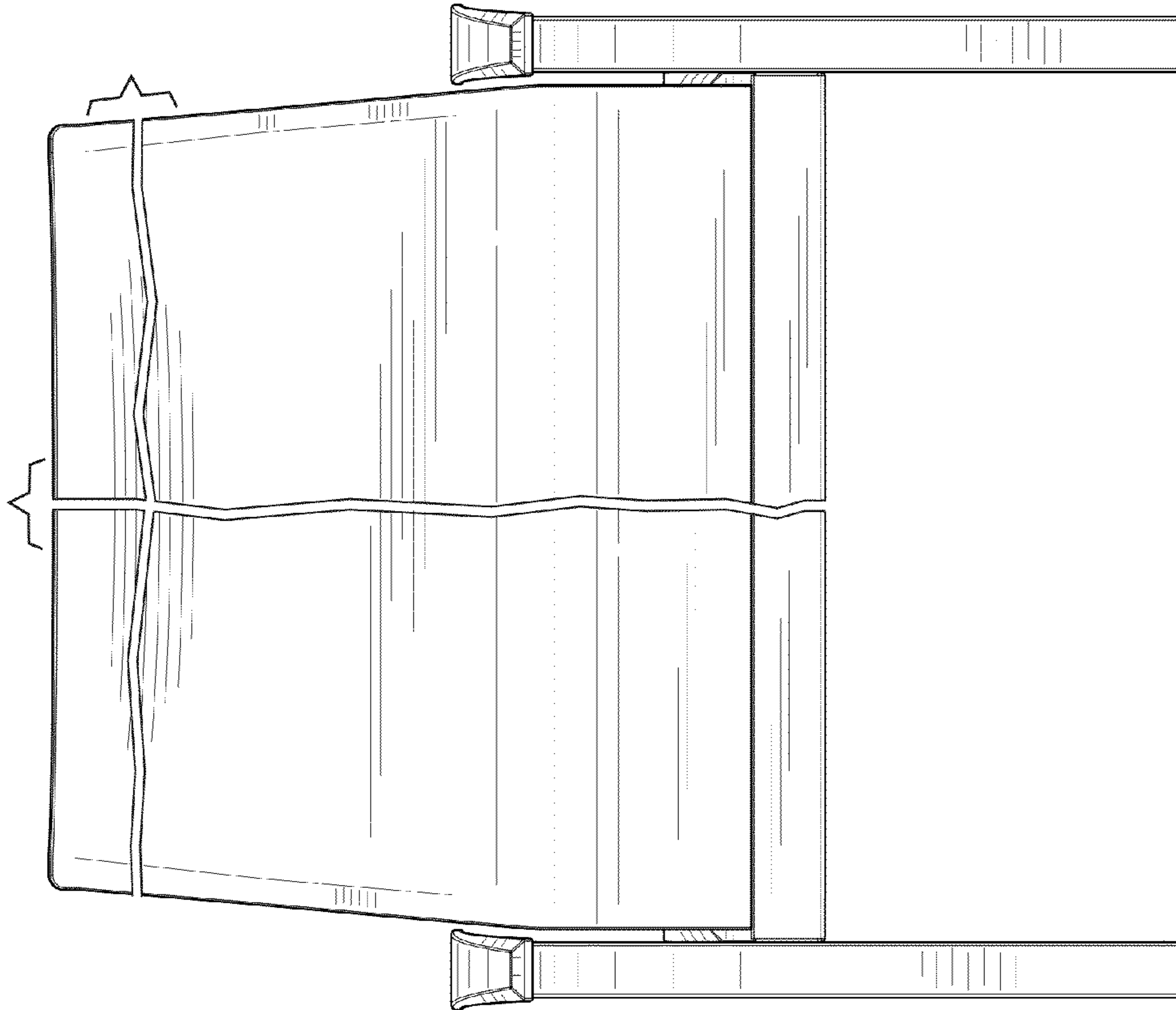
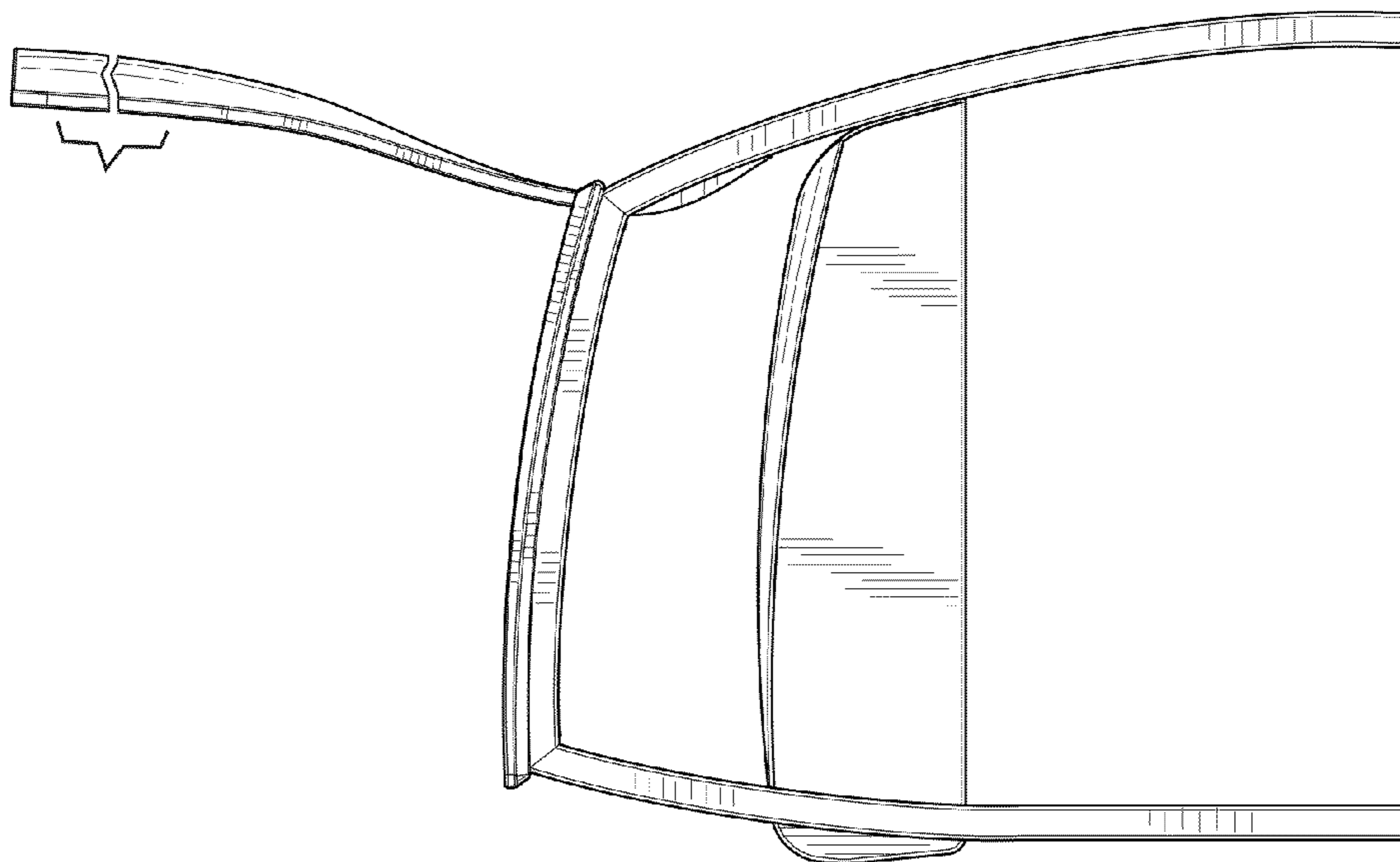


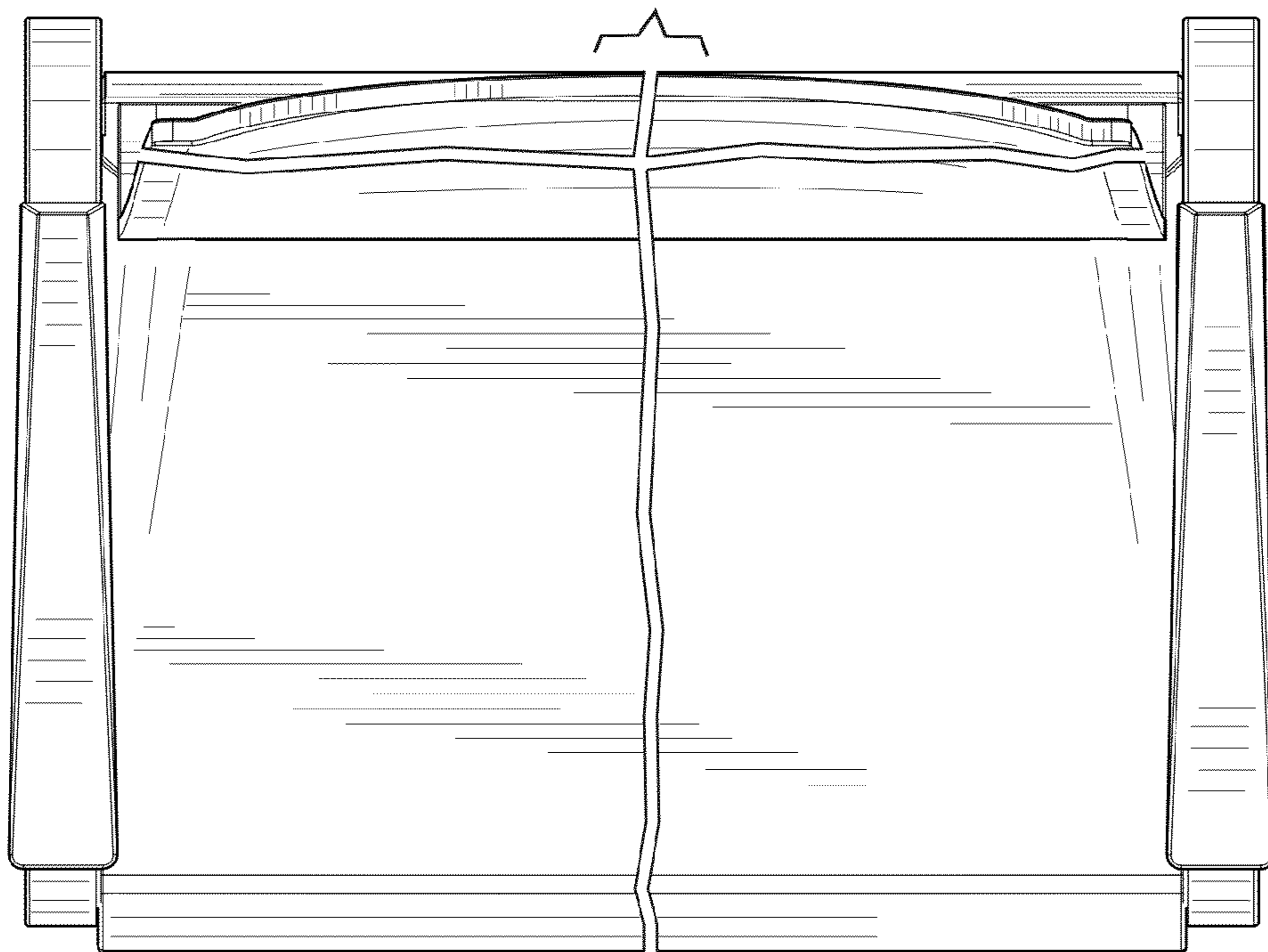
FIG. 11



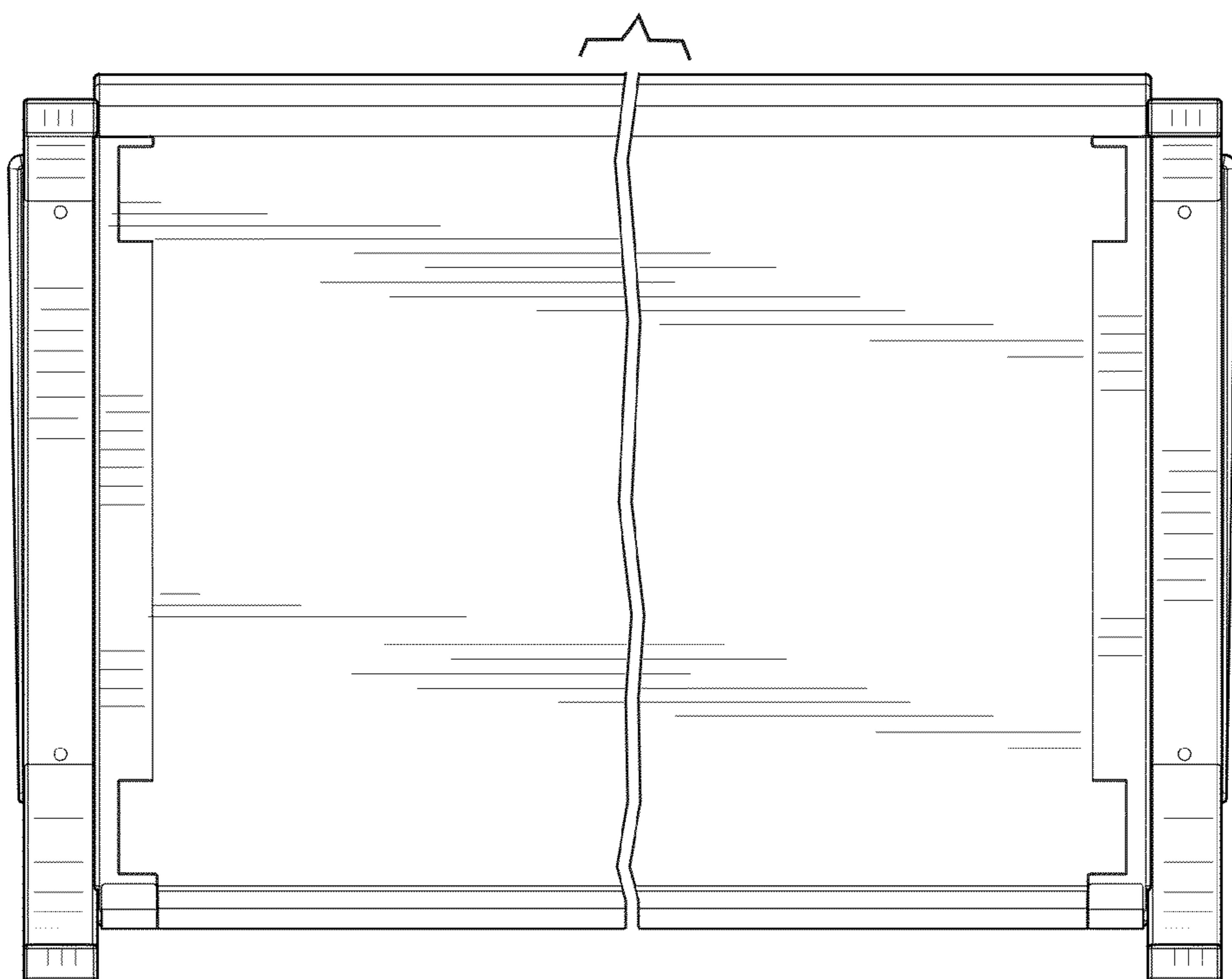
**FIG. 14**



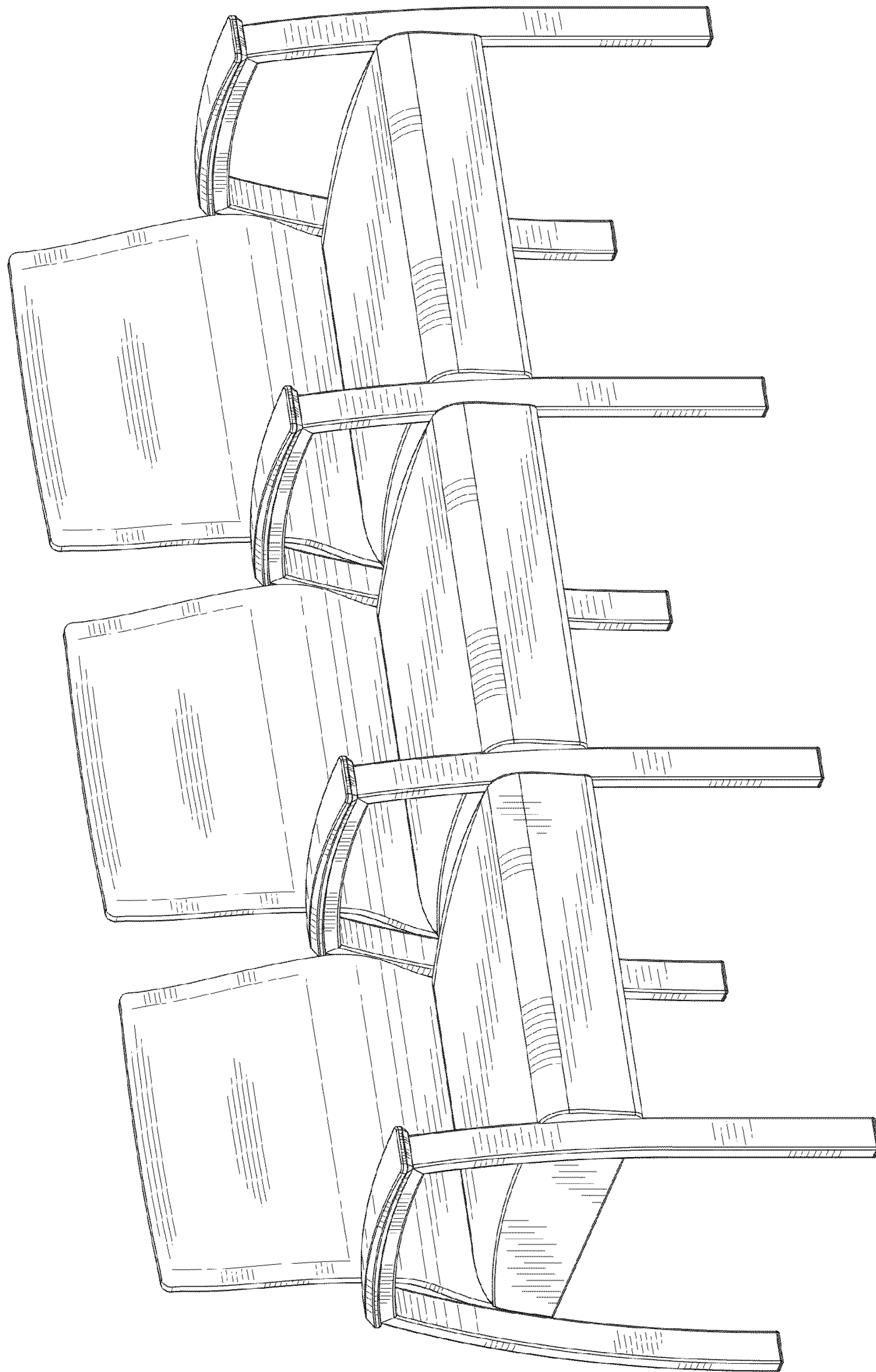
**FIG. 13**



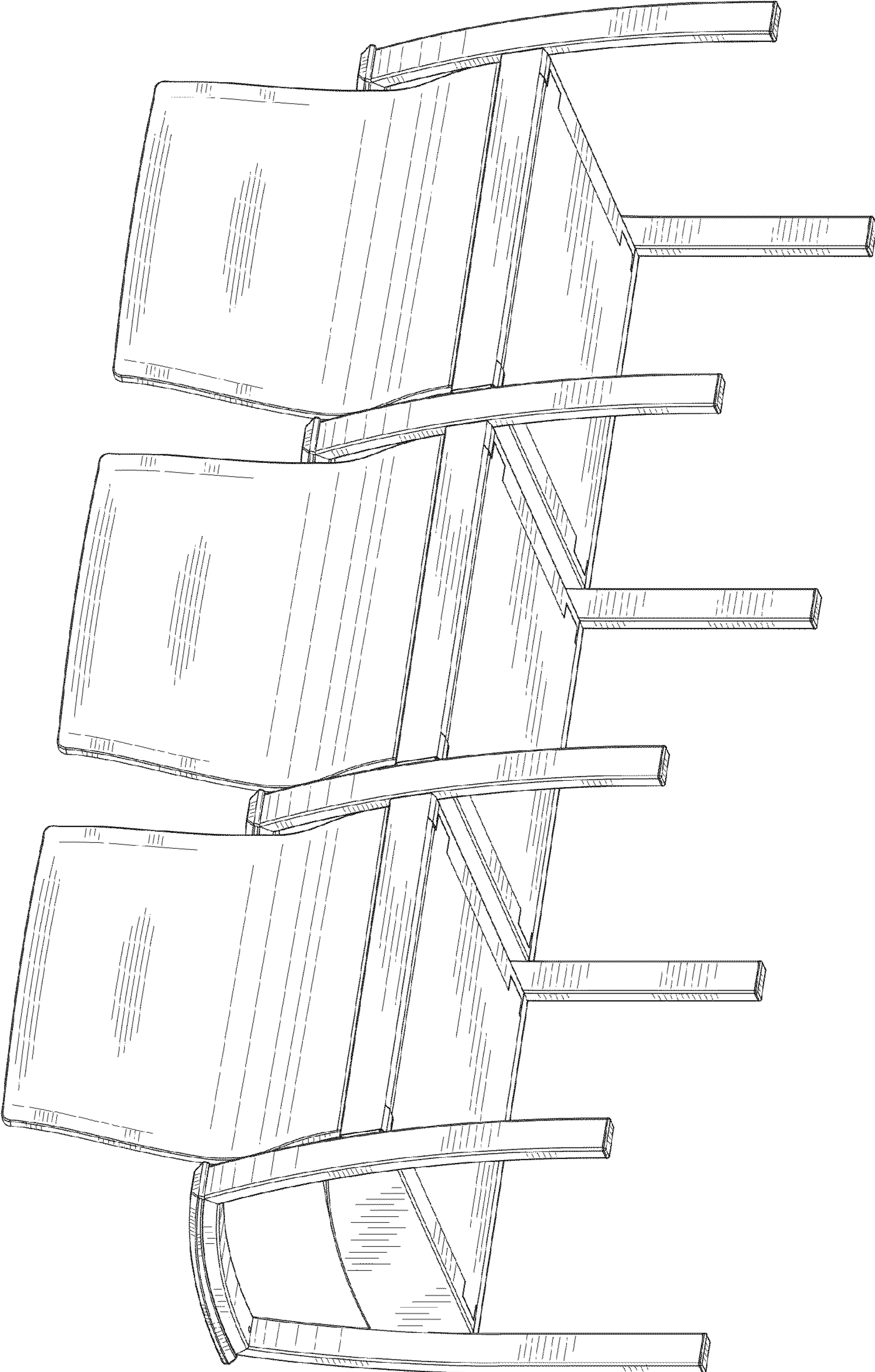
**FIG. 15**



**FIG. 16**



**FIG. 17**



**FIG. 18**

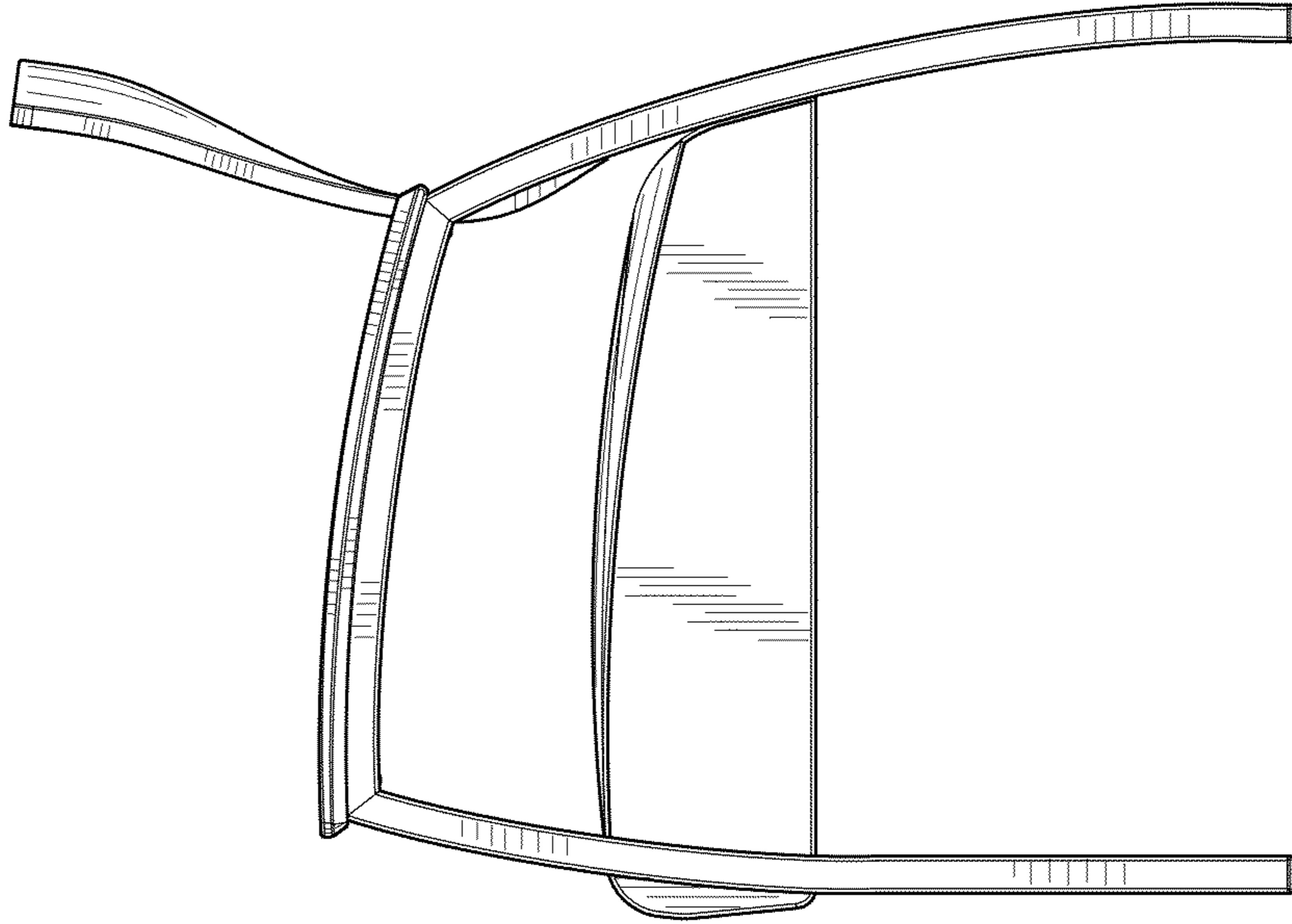


FIG. 21

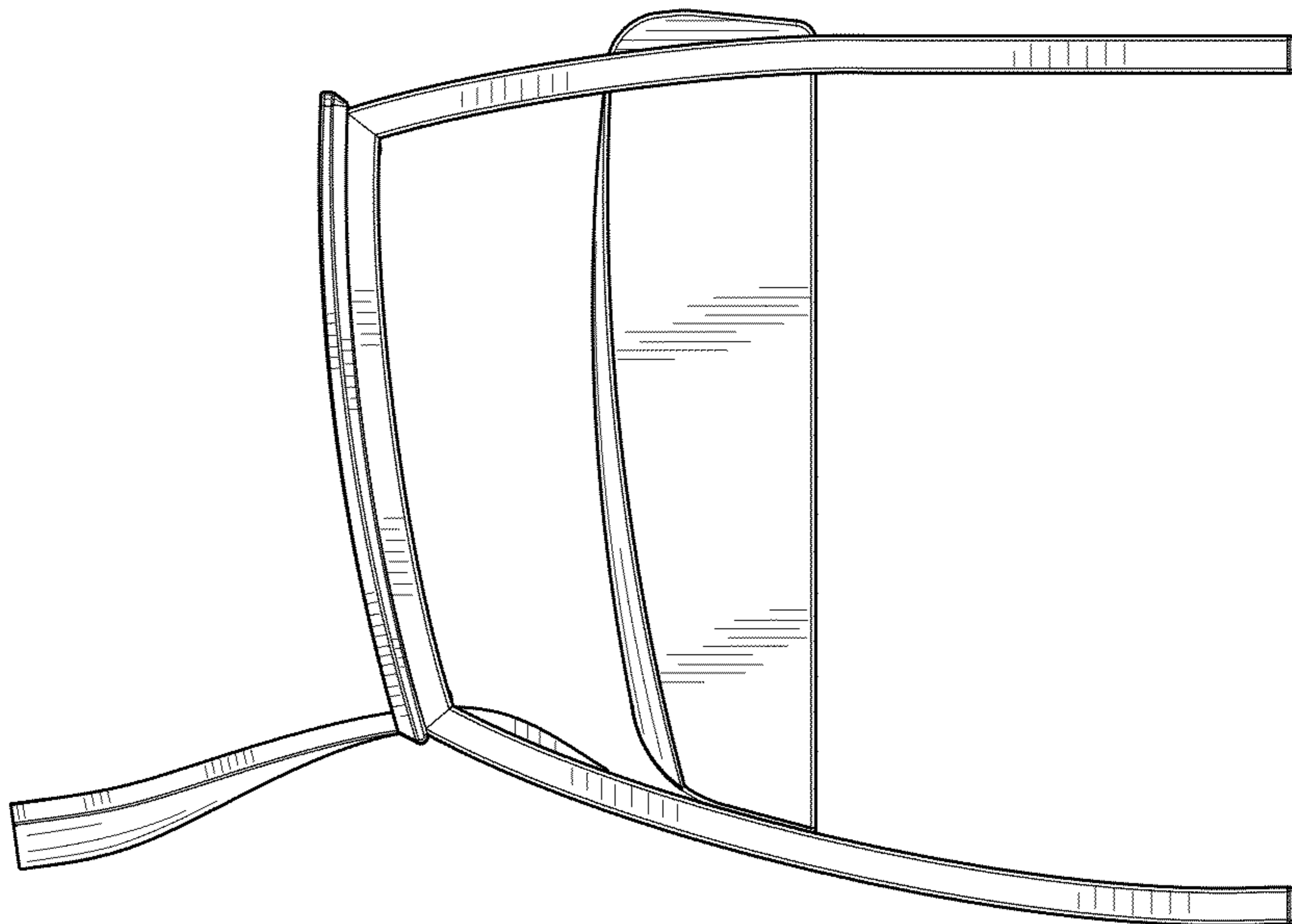
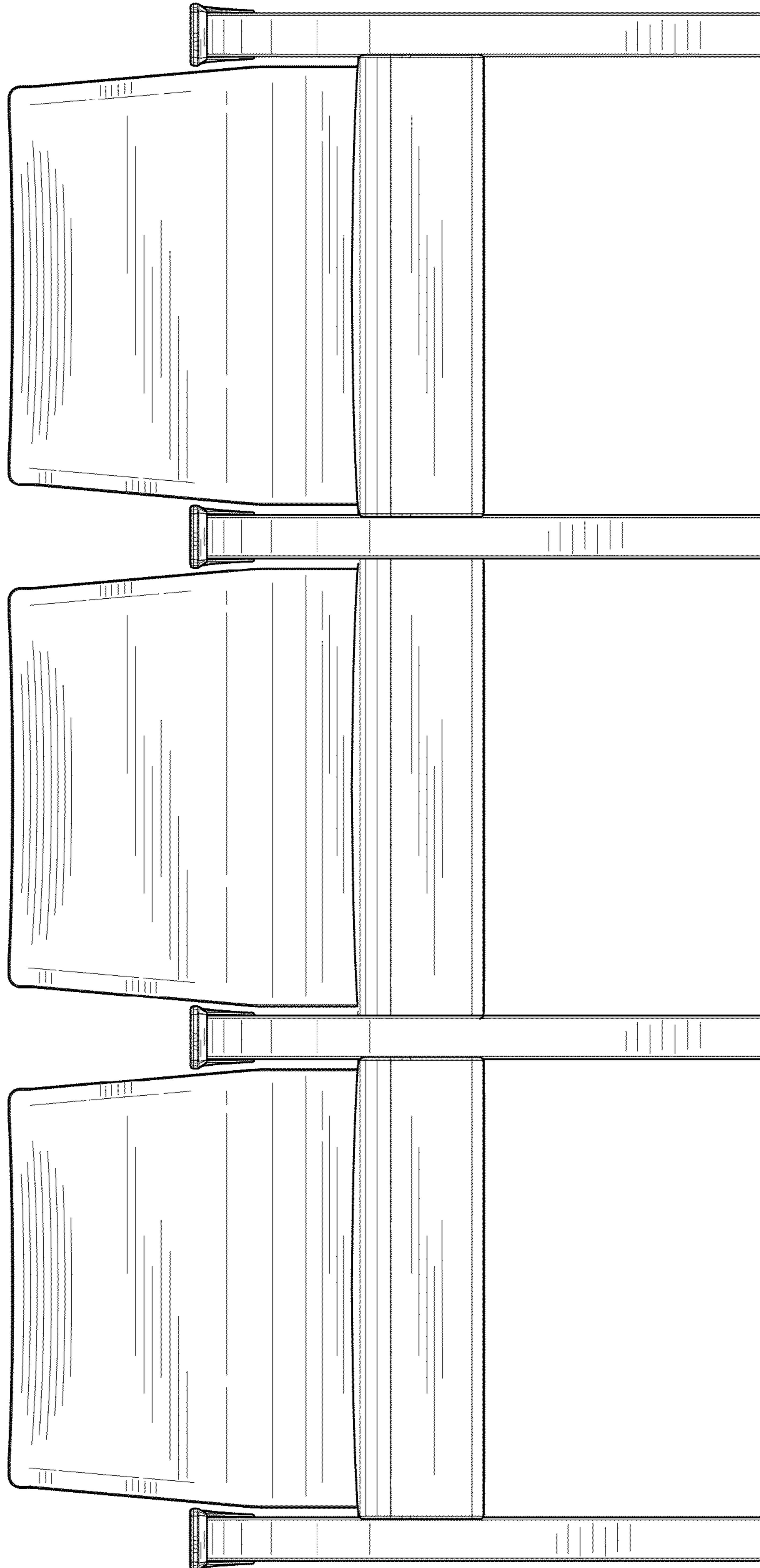
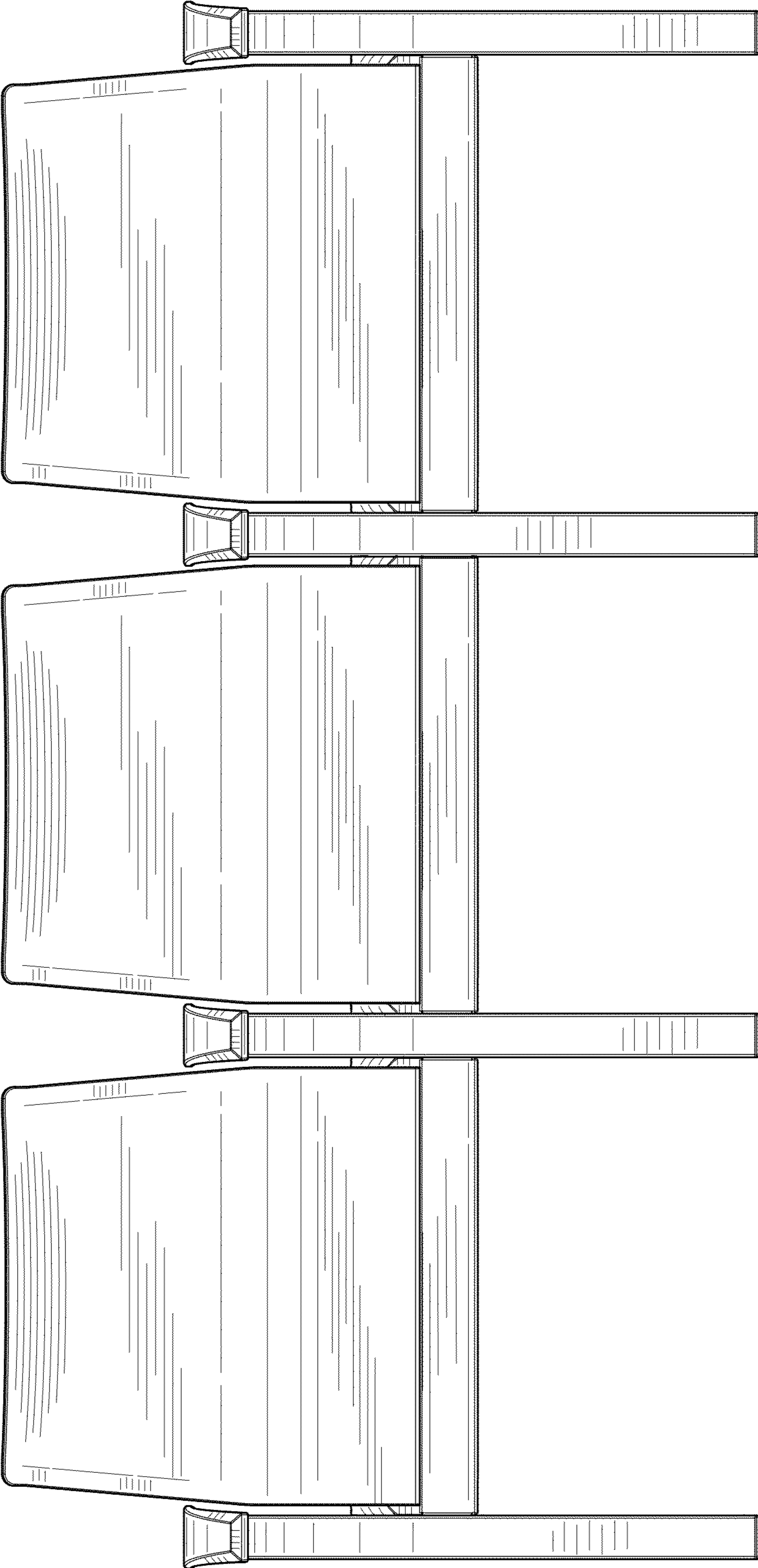


FIG. 19

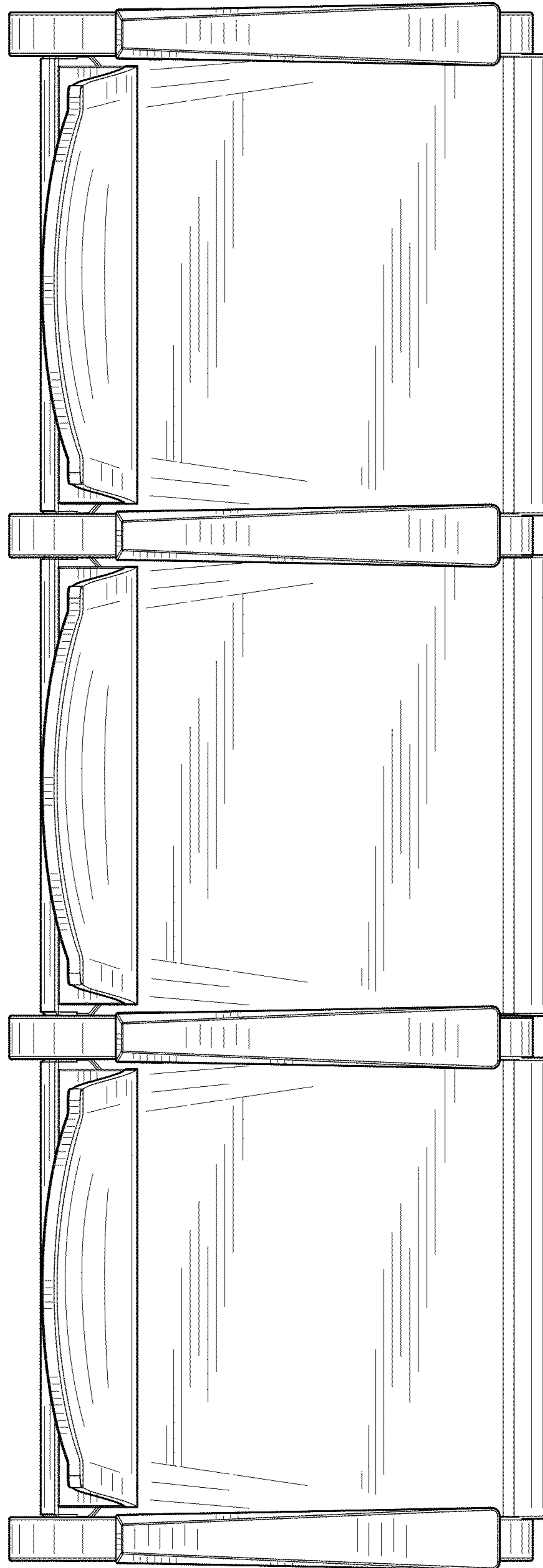


**FIG. 20**

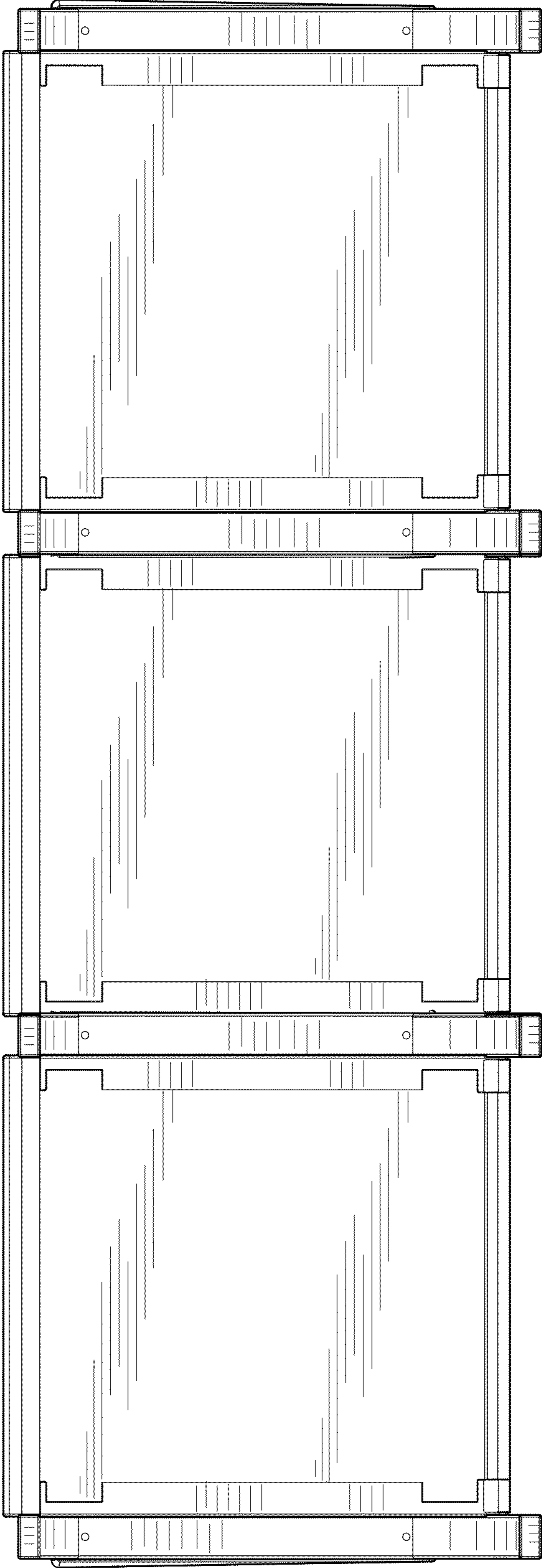


**FIG. 22**





**FIG. 23**



**FIG. 24**