



US00D696524S

(12) **United States Design Patent**
Ersan et al.

(10) **Patent No.:** **US D696,524 S**

(45) **Date of Patent:** **** Dec. 31, 2013**

(54) **SEATING**

(75) Inventors: **Ali Ersan**, London (GB); **Richard Nicholas**, London (GB); **John McKeever**, London (GB)

(73) Assignee: **Zodiac Seats UK Limited** (GB)

(**) Term: **14 Years**

(21) Appl. No.: **29/421,742**

(22) Filed: **Sep. 12, 2012**

(30) **Foreign Application Priority Data**

Mar. 16, 2012 (EM) 002010017

(51) **LOC (9) Cl.** **06-01**

(52) **U.S. Cl.**
USPC **D6/356**

(58) **Field of Classification Search**
USPC D6/334-336, 356, 360, 361, 367, 368,
D6/381, 716, 716.1, 716.2, 716.3, 716.4;
297/232, 233, 244, 248, 342, 354.1,
297/354.11, 361.1; 244/118.5, 118.6, 122 R

See application file for complete search history.

(56) **References Cited**

U.S. PATENT DOCUMENTS

D405,275	S	*	2/1999	Dryburgh et al.	D6/356
D409,010	S	*	5/1999	Papaioannou et al.	D6/356
D592,412	S	*	5/2009	Suge et al.	D6/356
D598,665	S	*	8/2009	Cloet et al.	D6/356
D598,666	S	*	8/2009	Cloet et al.	D6/356
D611,260	S	*	3/2010	Plant	D6/356
D641,982	S	*	7/2011	Darbyshire	D6/356
D661,116	S	*	6/2012	Darbyshire	D6/356
8,313,059	B2	*	11/2012	Ferry et al.	244/118.6
2012/0292957	A1	*	11/2012	Vergnaud et al.	297/232

* cited by examiner

Primary Examiner — Mimoso De

(74) *Attorney, Agent, or Firm* — Dean W. Russell; Michael A. Bertelson; Kilpatrick Townsend & Stockton LLP

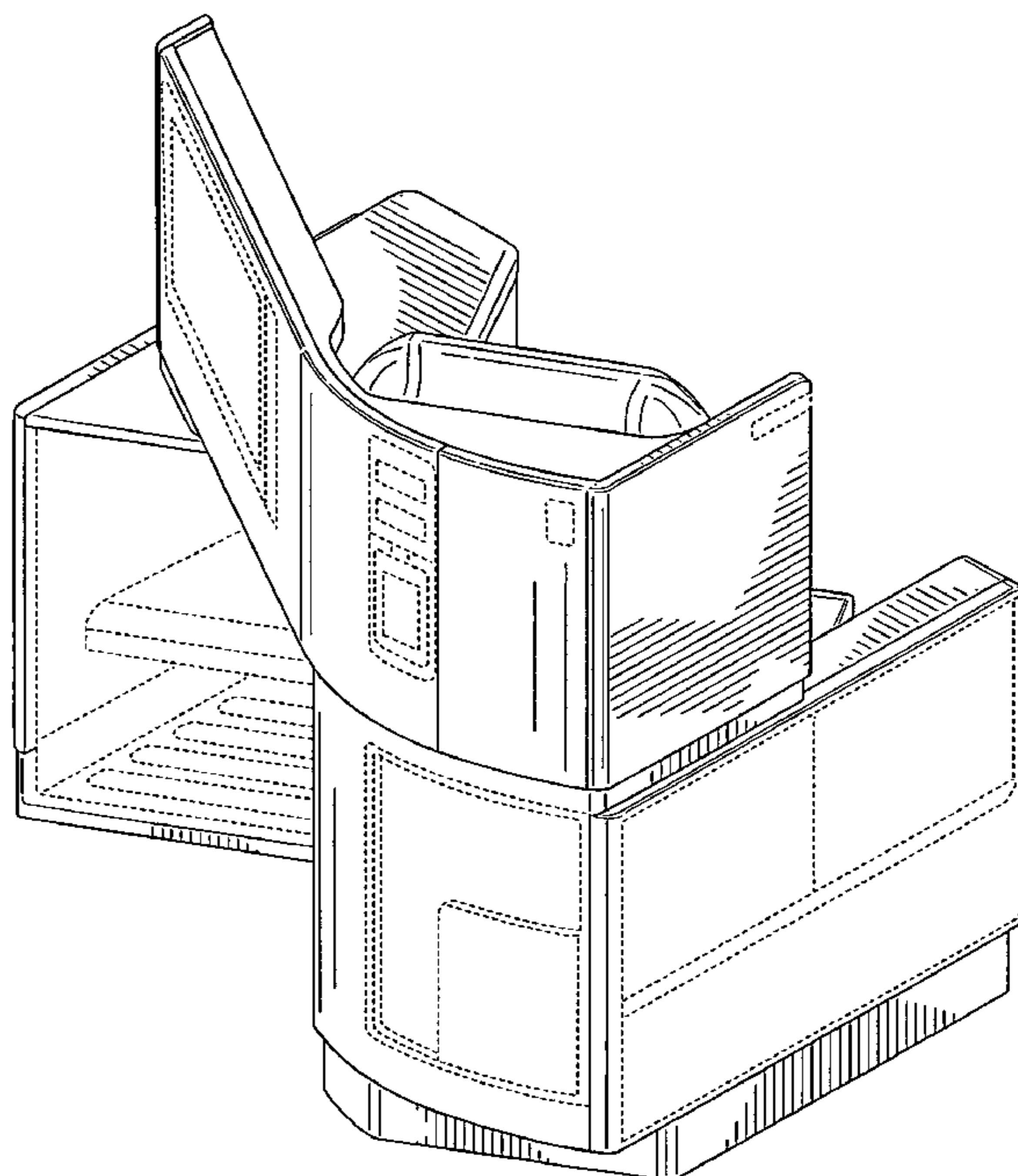
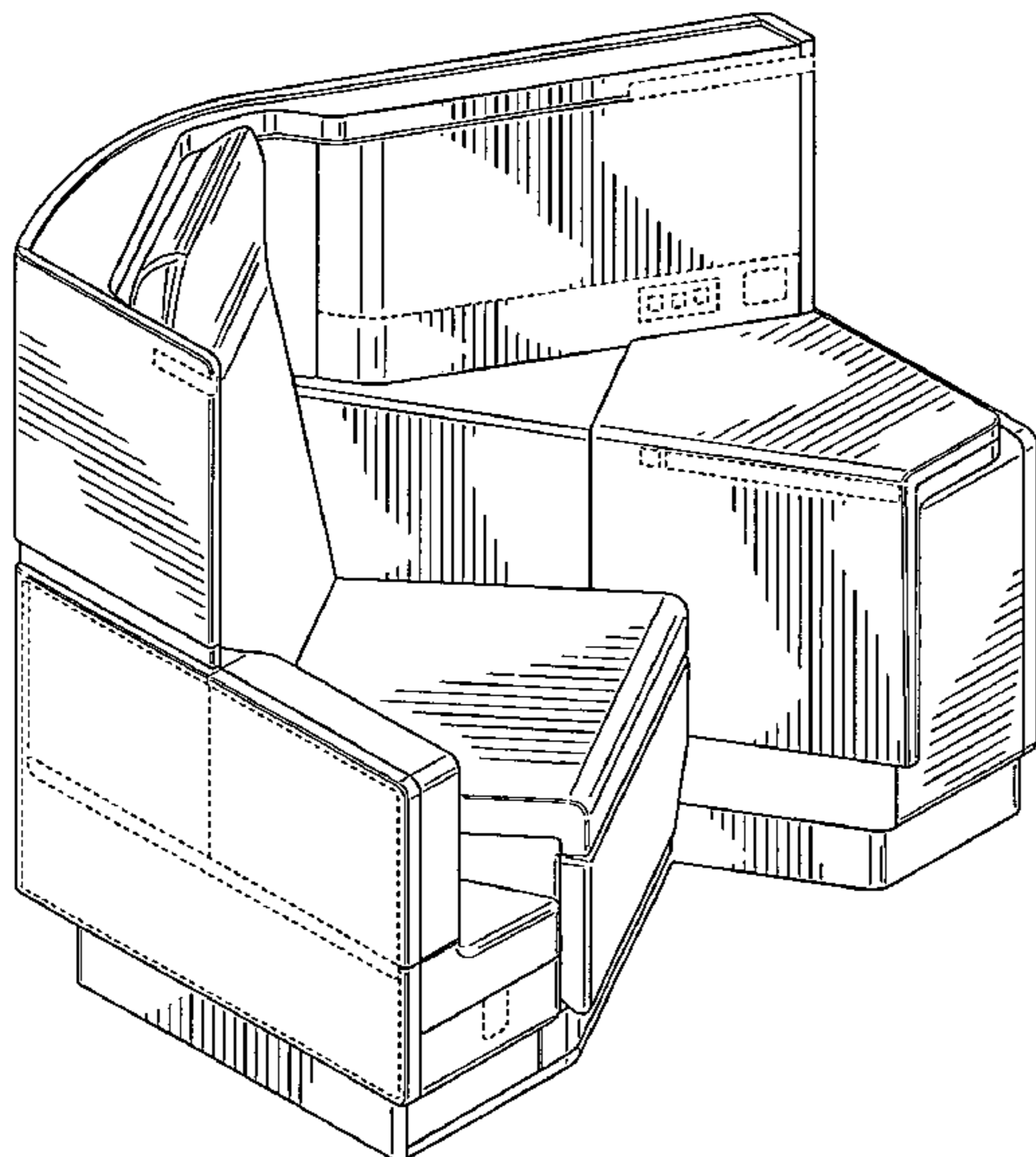
(57) **CLAIM**

The ornamental design for seating, as shown and described.

DESCRIPTION

FIG. 1 is a perspective view of seating.
FIG. 2 is another perspective view of the seating of FIG. 1.
FIG. 3 is another perspective view of the seating of FIG. 1.
FIG. 4 is another perspective view of the seating of FIG. 1.
FIG. 5 is a top view of the seating of FIG. 1.
FIG. 6 is a front view of the seating of FIG. 1; and,
FIG. 7 is a rear view of the seating of FIG. 1.
The broken lines illustrate environment and boundaries of the claimed design, and form no part of the claimed design.

1 Claim, 7 Drawing Sheets



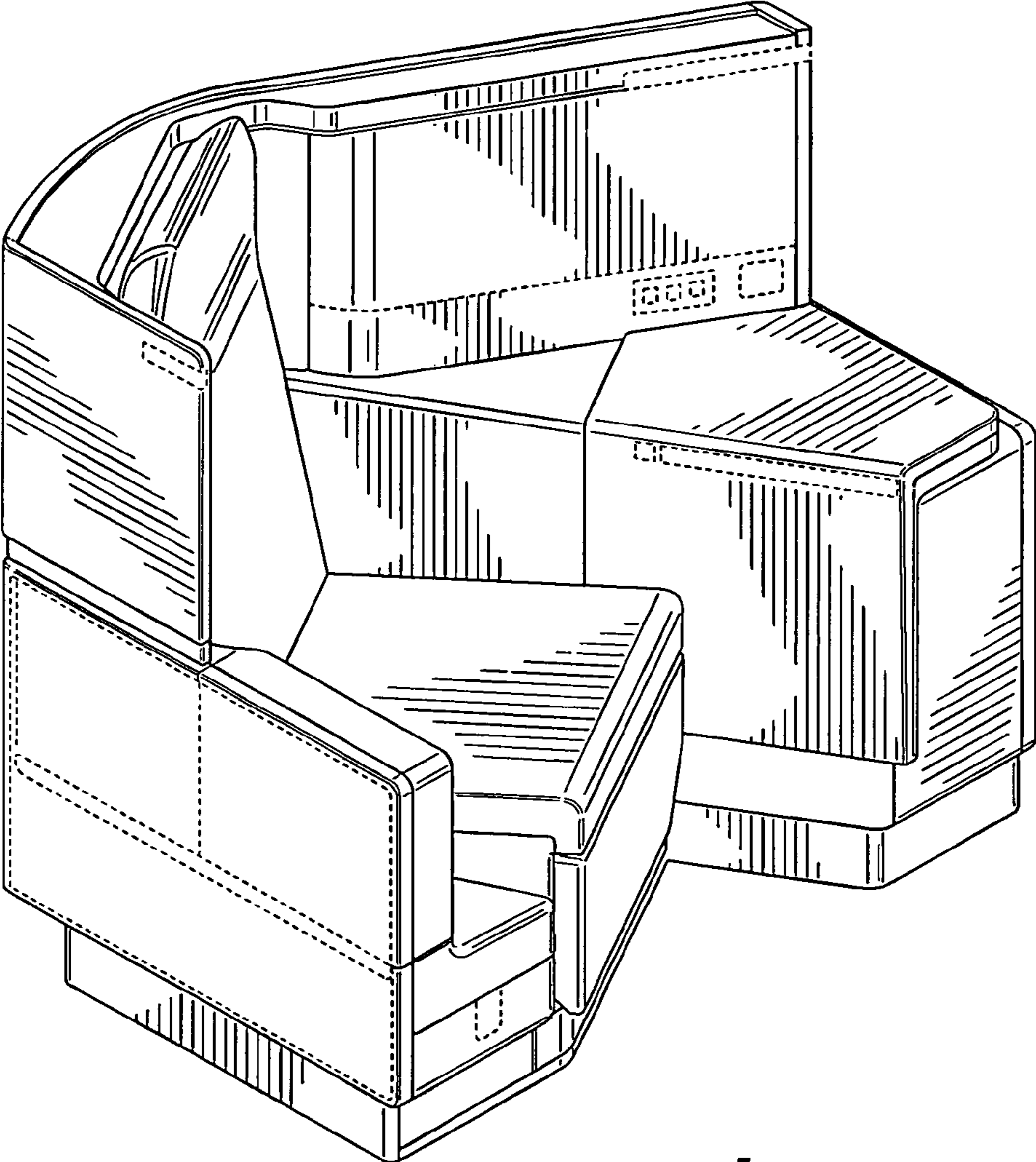


FIG. 1

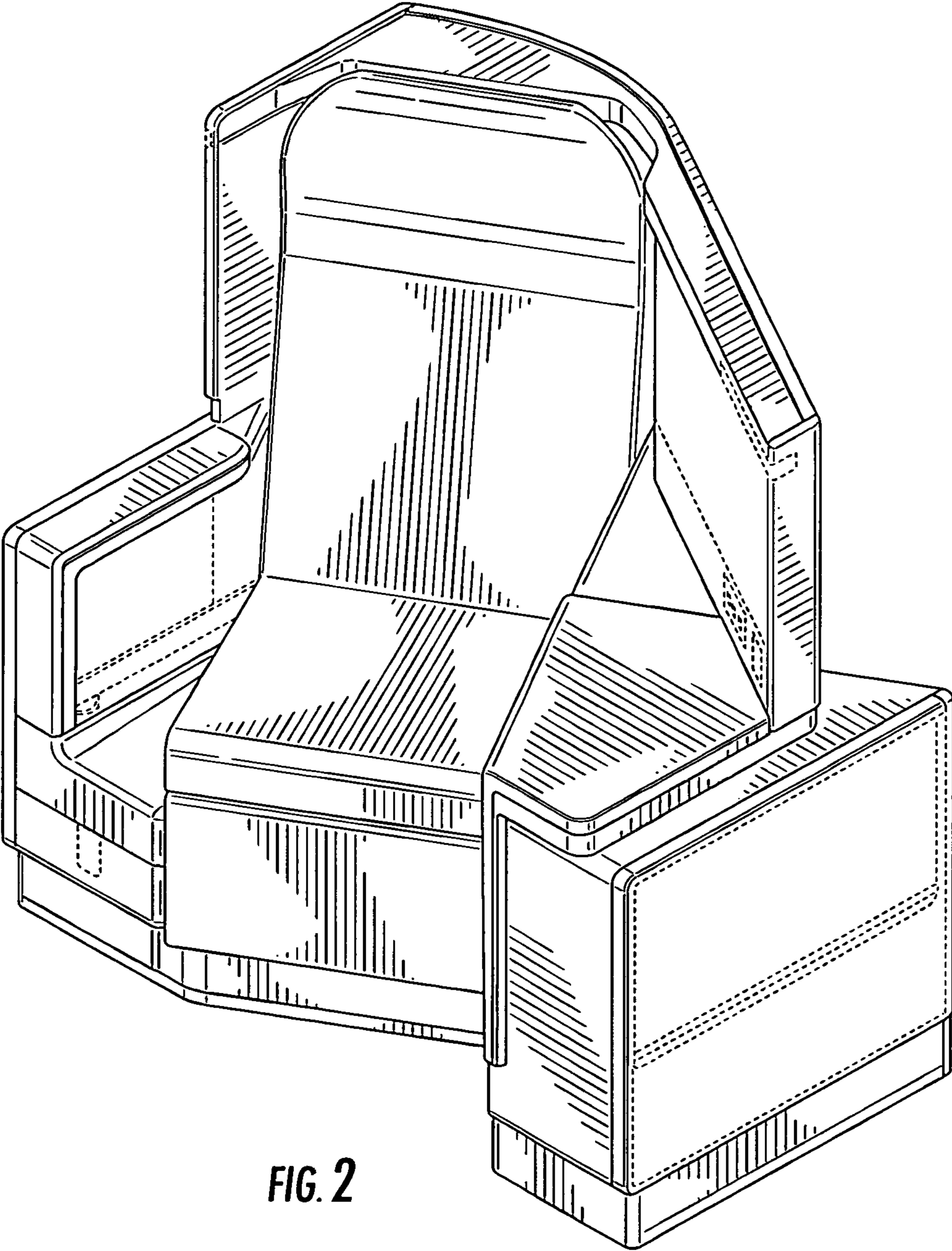


FIG. 2

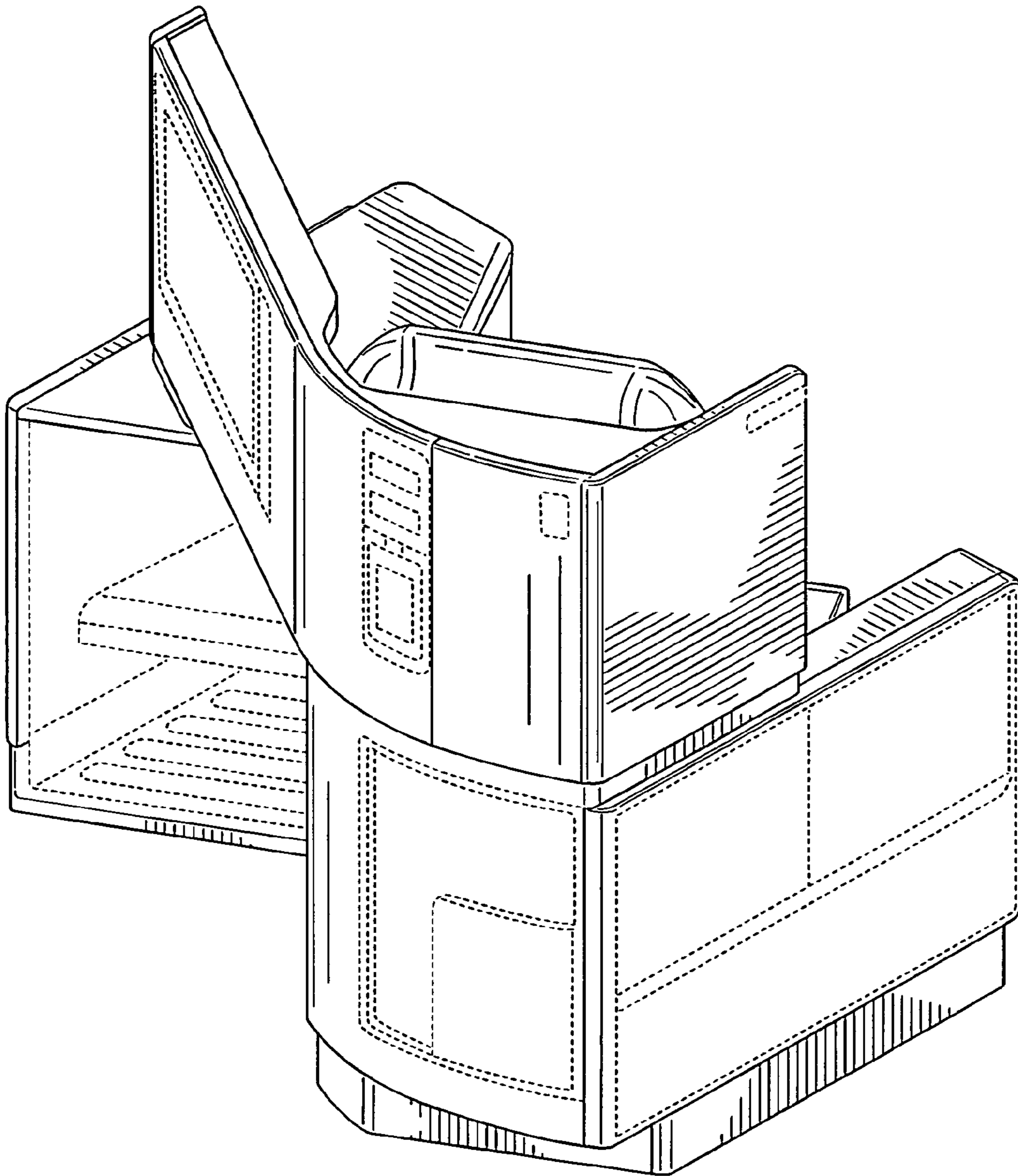


FIG. 3

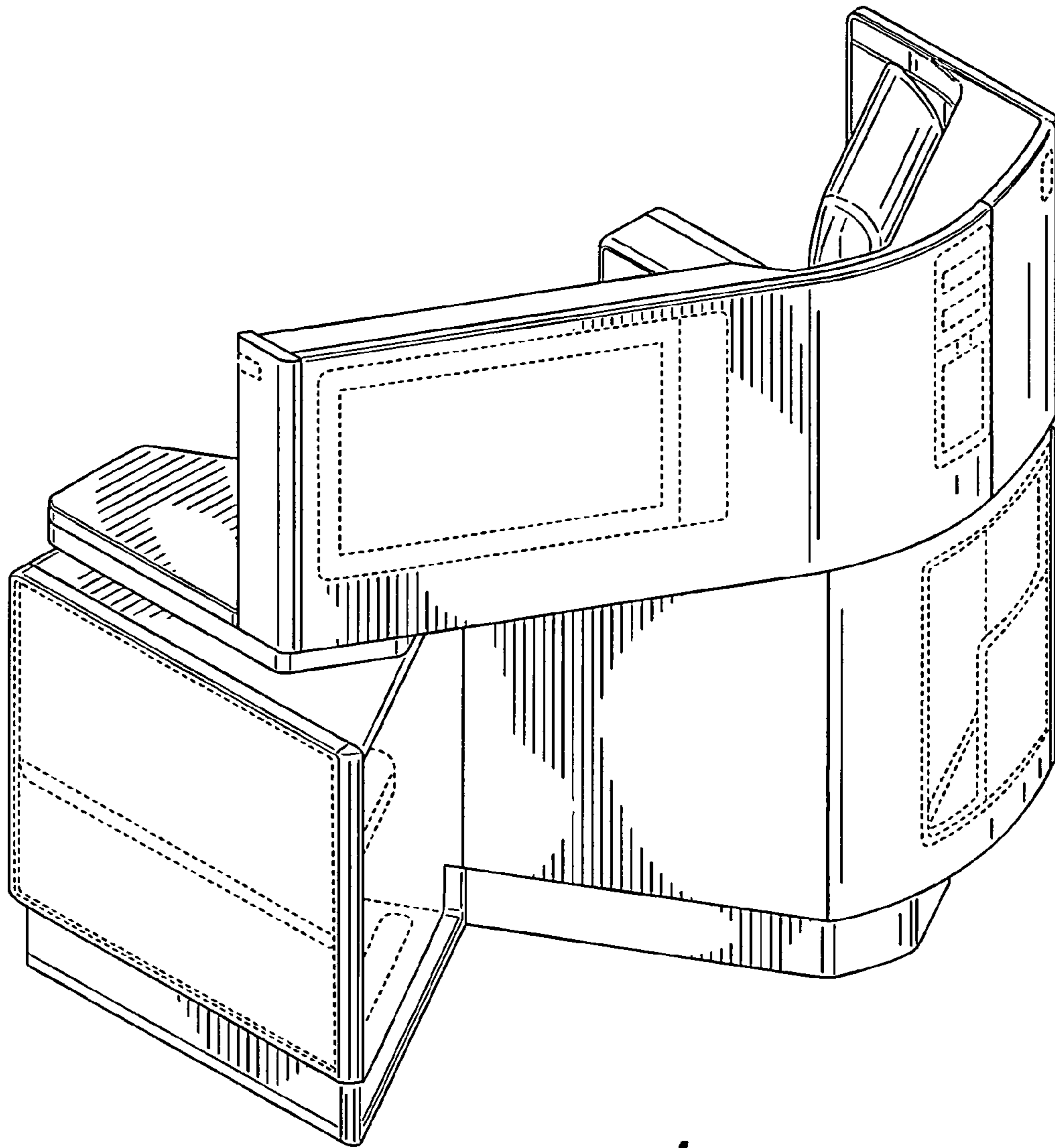


FIG. 4

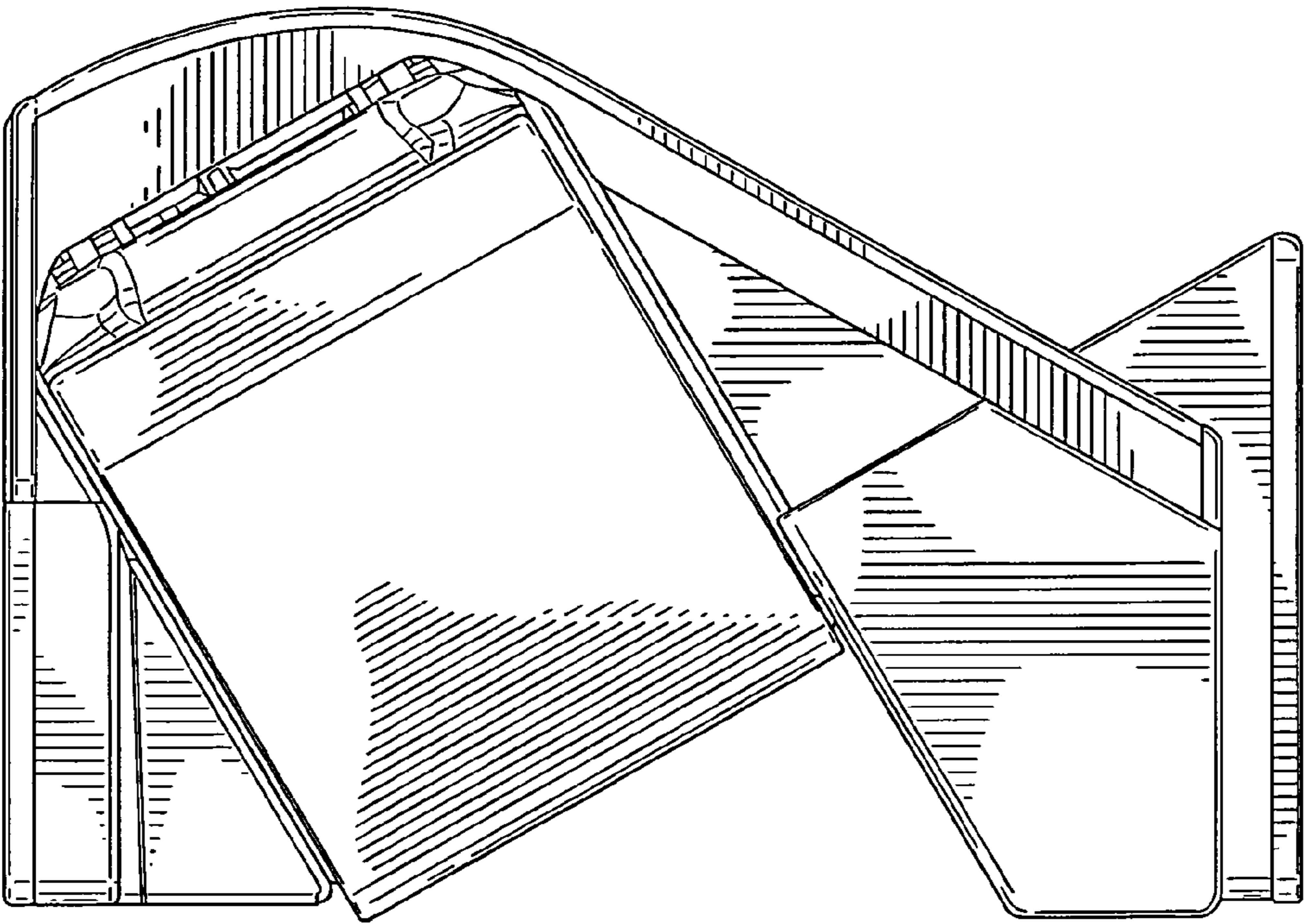


FIG. 5

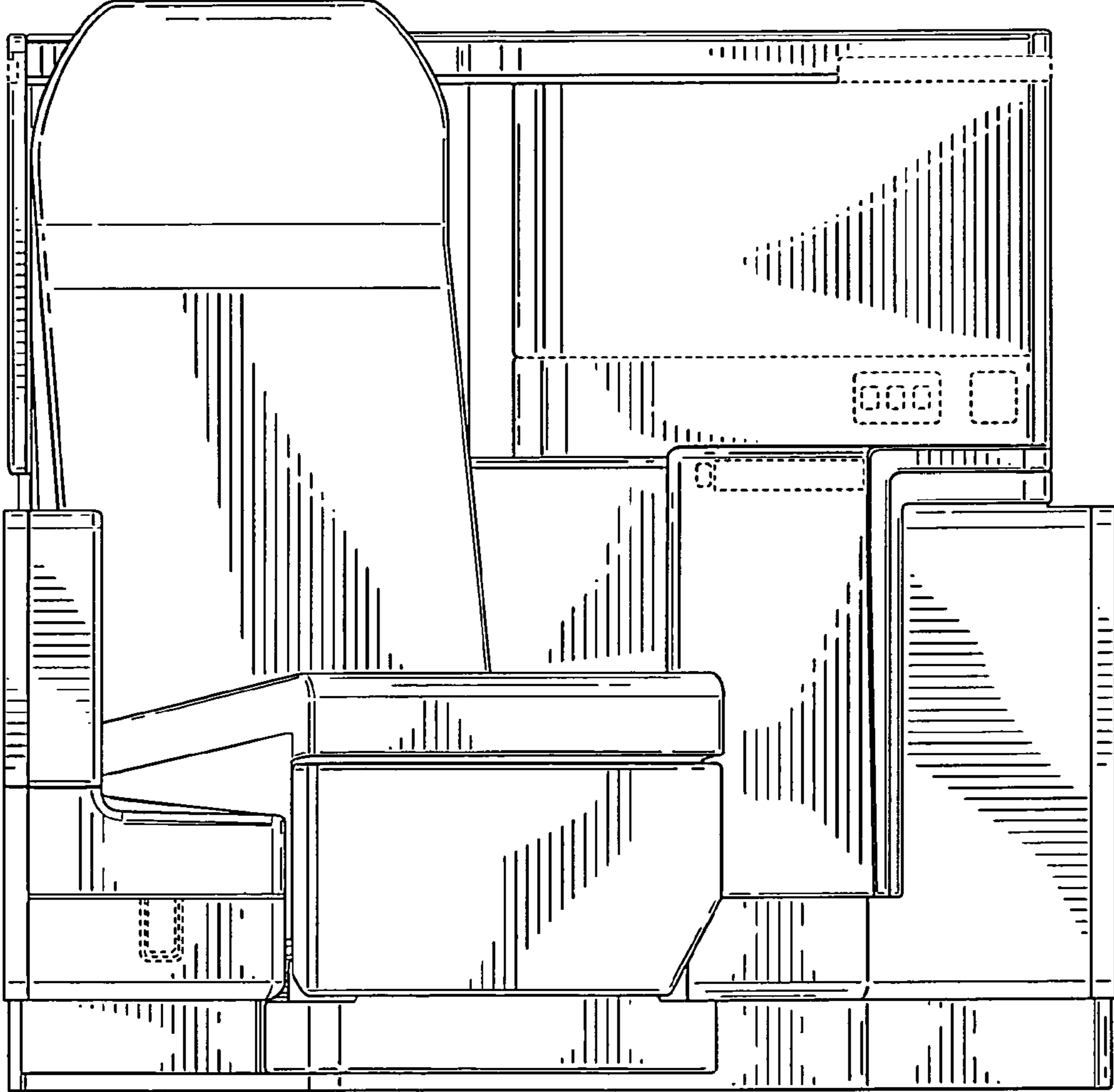


FIG. 6

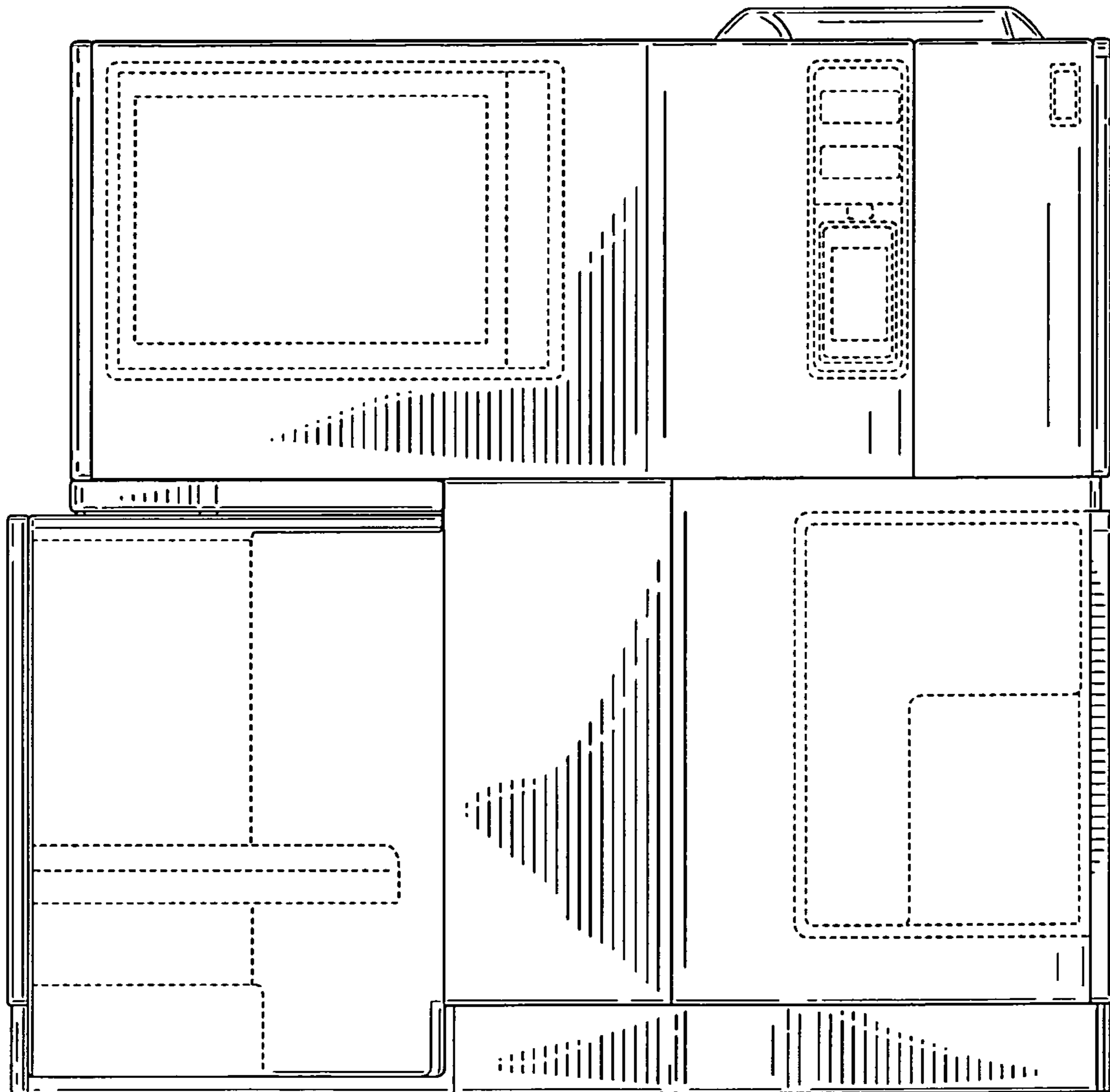


FIG. 7