



US00D696523S

(12) **United States Design Patent**
Presman et al.

(10) **Patent No.:** **US D696,523 S**

(45) **Date of Patent:** **** Dec. 31, 2013**

(54) **STORAGE CASE WITH BOOSTER**

DESCRIPTION

(75) Inventors: **Paul Presman**, Kfar Saba (IL); **Costa Presman**, Ra'anana (IL)

(73) Assignee: **Ben Bat Ltd.**, Shefayim (IL)

(**) Term: **14 Years**

(21) Appl. No.: **29/431,505**

(22) Filed: **Sep. 7, 2012**

(51) **LOC (9) Cl.** **06-01**

(52) **U.S. Cl.**
USPC **D6/335**

(58) **Field of Classification Search**

USPC D6/335, 336, 337, 338, 708, 716, 716.1,
D6/685; 297/175, 411.2, 445.1, 446.1,
297/446.2, 447.1, 447.2, 448.1, 451.2,
297/452.11, 452.29, 461, 462; 5/12.1, 12.2
See application file for complete search history.

(56) **References Cited**

U.S. PATENT DOCUMENTS

D258,178	S *	2/1981	Bayne	D6/336
5,183,311	A	2/1993	Meeker et al.		
5,335,968	A	8/1994	Sheridan et al.		
5,474,355	A	12/1995	Lerner et al.		
D366,800	S *	2/1996	Moore, Jr.	D6/601
5,609,389	A	3/1997	Longoria et al.		
D389,358	S *	1/1998	Coleman	D6/601
5,988,465	A *	11/1999	Vitale et al.	224/155
6,390,260	B1 *	5/2002	Roegner	190/109

(Continued)

Primary Examiner — Sandra Snapp

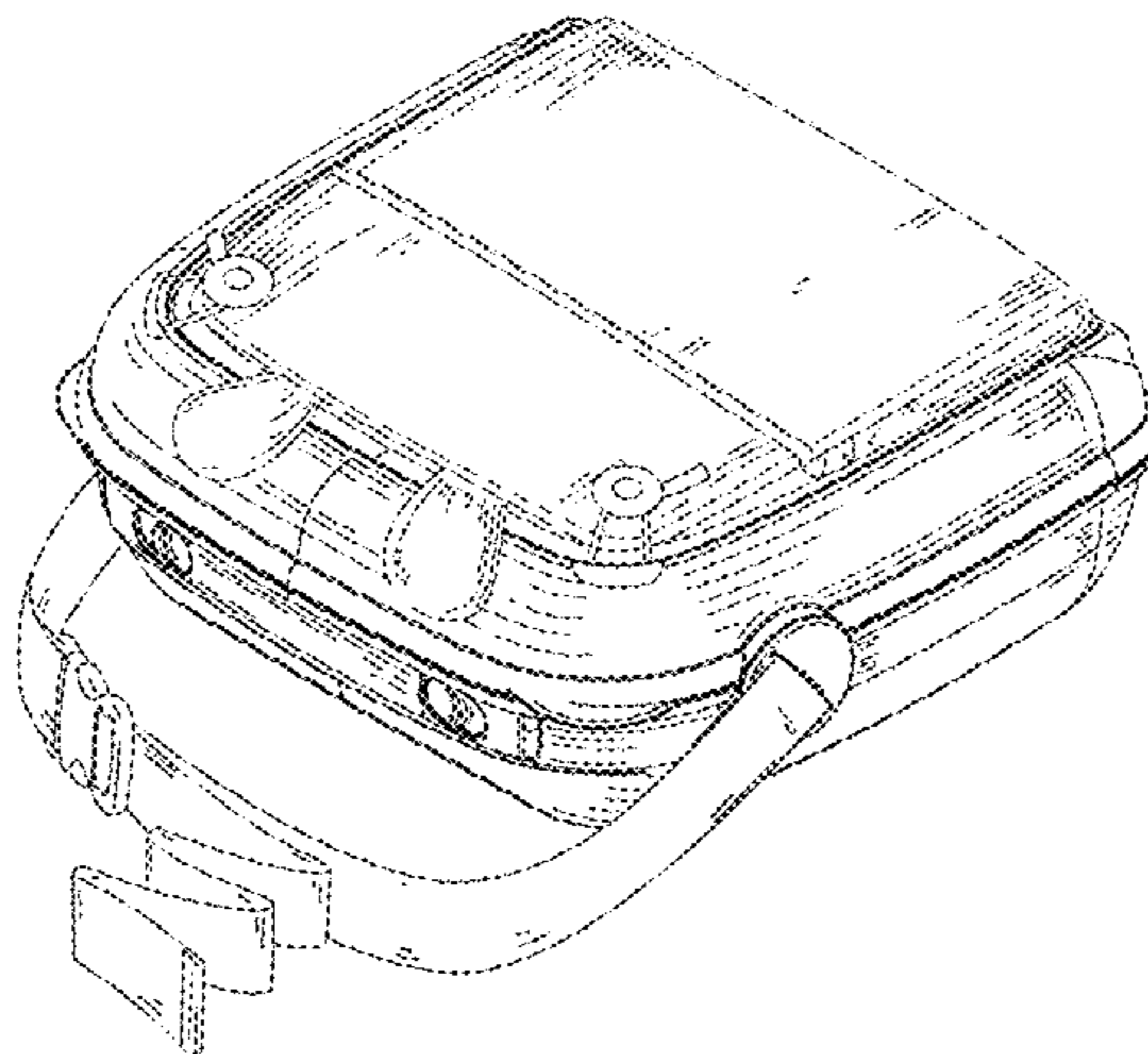
(74) *Attorney, Agent, or Firm* — Novick, Kim & Lee, PLLC;
Jae Youn Kim

(57) **CLAIM**

The ornamental design for a storage case with booster, as shown and described.

FIG. 1 is a front perspective view of a storage case with booster in a closed position;
 FIG. 2 is a rear perspective view of the storage case with booster of FIG. 1;
 FIG. 3 is a top plan view of the storage case with booster of FIG. 1;
 FIG. 4 is a bottom plan view of the storage case with booster of FIG. 1;
 FIG. 5 is a front elevation view of the storage case with booster of FIG. 1;
 FIG. 6 is a rear elevation view of the storage case with booster of FIG. 1;
 FIG. 7 is a left side elevation view of the storage case with booster of FIG. 1;
 FIG. 8 is a right side elevation view of the storage case with booster of FIG. 1;
 FIG. 9 is a front perspective view of the storage case with booster of FIG. 1 in an open position;
 FIG. 10 is a rear perspective view of the storage case with booster of FIG. 9;
 FIG. 11 is a top plan view of the storage case with booster of FIG. 9;
 FIG. 12 is a bottom plan view of the storage case with booster of FIG. 9;
 FIG. 13 is a front elevation view of the storage case with booster of FIG. 9;
 FIG. 14 is a rear elevation view of the storage case with booster of FIG. 9;
 FIG. 15 is a left side elevation view of the storage case with booster of FIG. 9;
 FIG. 16 is a right side elevation view of the storage case with booster of FIG. 9;
 FIG. 17 is a front perspective view of the storage case with booster of FIG. 1 with its booster in an open position; and,
 FIG. 18 is a rear perspective view of the storage case with booster of FIG. 17.
 The broken lines shown in the drawings are understood to represent stitching.

1 Claim, 18 Drawing Sheets



(56)

References Cited

U.S. PATENT DOCUMENTS

D474,934 S *	5/2003	Ildstad et al.	D6/601	D575,535 S *	8/2008	Bizzell	D6/333
D481,547 S *	11/2003	Ammann, Jr.	D6/335	D575,536 S *	8/2008	Bizzell et al.	D6/333
6,773,064 B2	8/2004	Treen et al.		D577,918 S *	10/2008	Bizzell	D6/333
D503,867 S *	4/2005	Bennette et al.	D6/601	D591,065 S *	4/2009	Pedemonte	D6/335
D510,188 S *	10/2005	Cunningham	D3/287	D591,962 S *	5/2009	Medlock	D6/335
D558,470 S *	1/2008	Williams et al.	D6/335	D614,872 S *	5/2010	Lee	D6/335
D571,115 S *	6/2008	Cohen	D6/368	D632,502 S *	2/2011	Gillespie	D6/335
				D640,483 S *	6/2011	Daley et al.	D6/390
				D683,550 S *	6/2013	Ammann, Jr.	D6/336

* cited by examiner

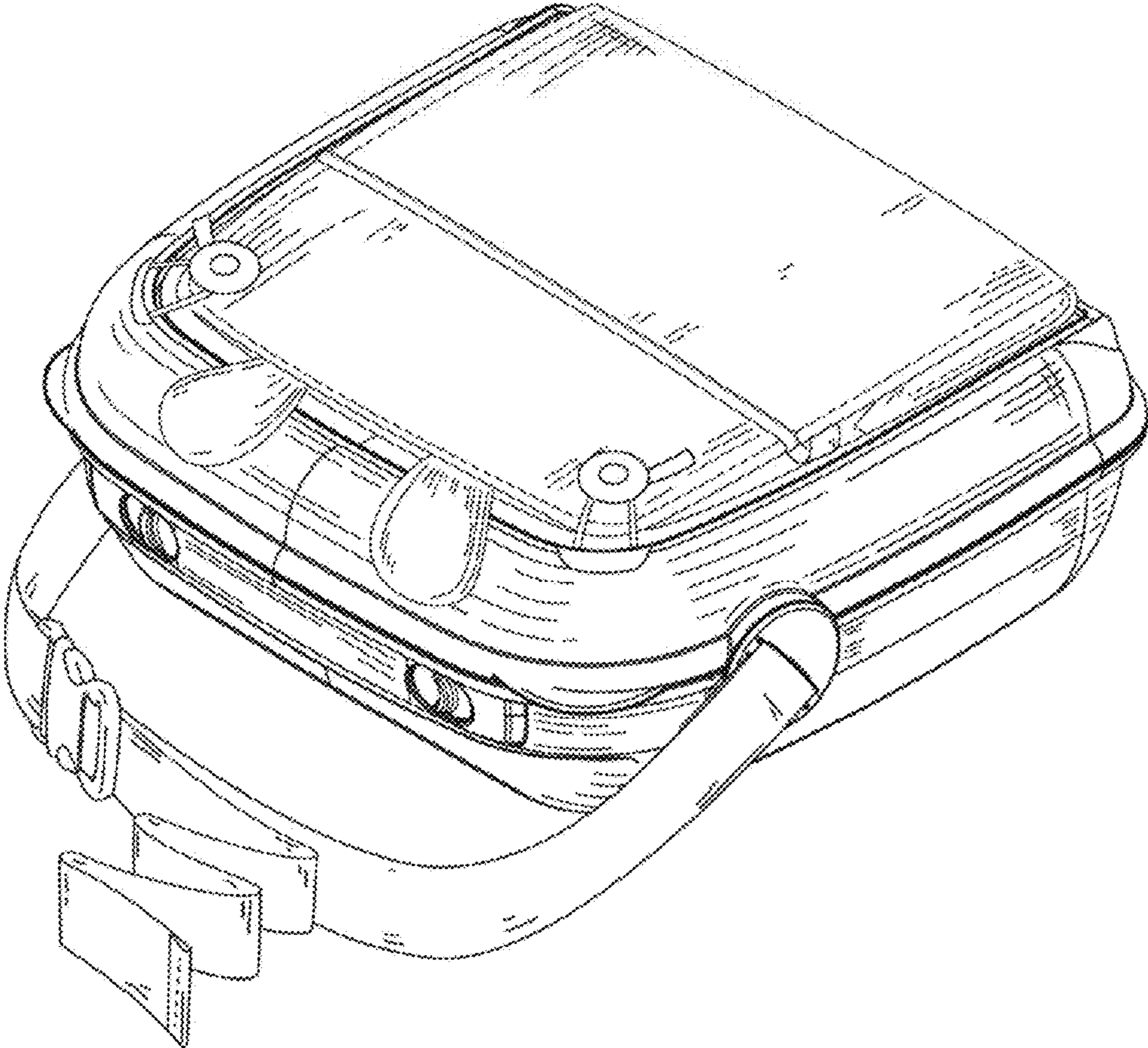


Fig. 1

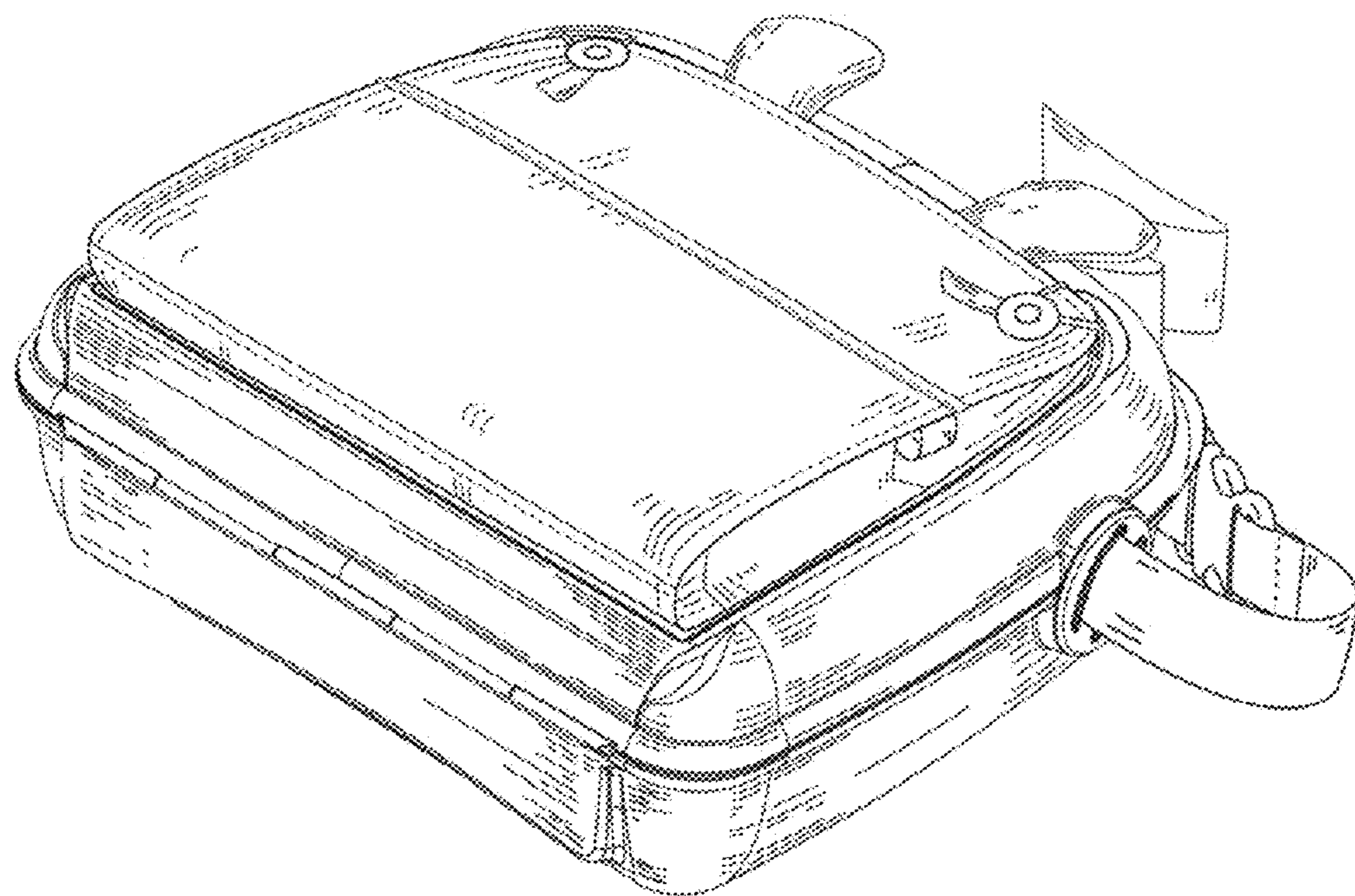


Fig. 2

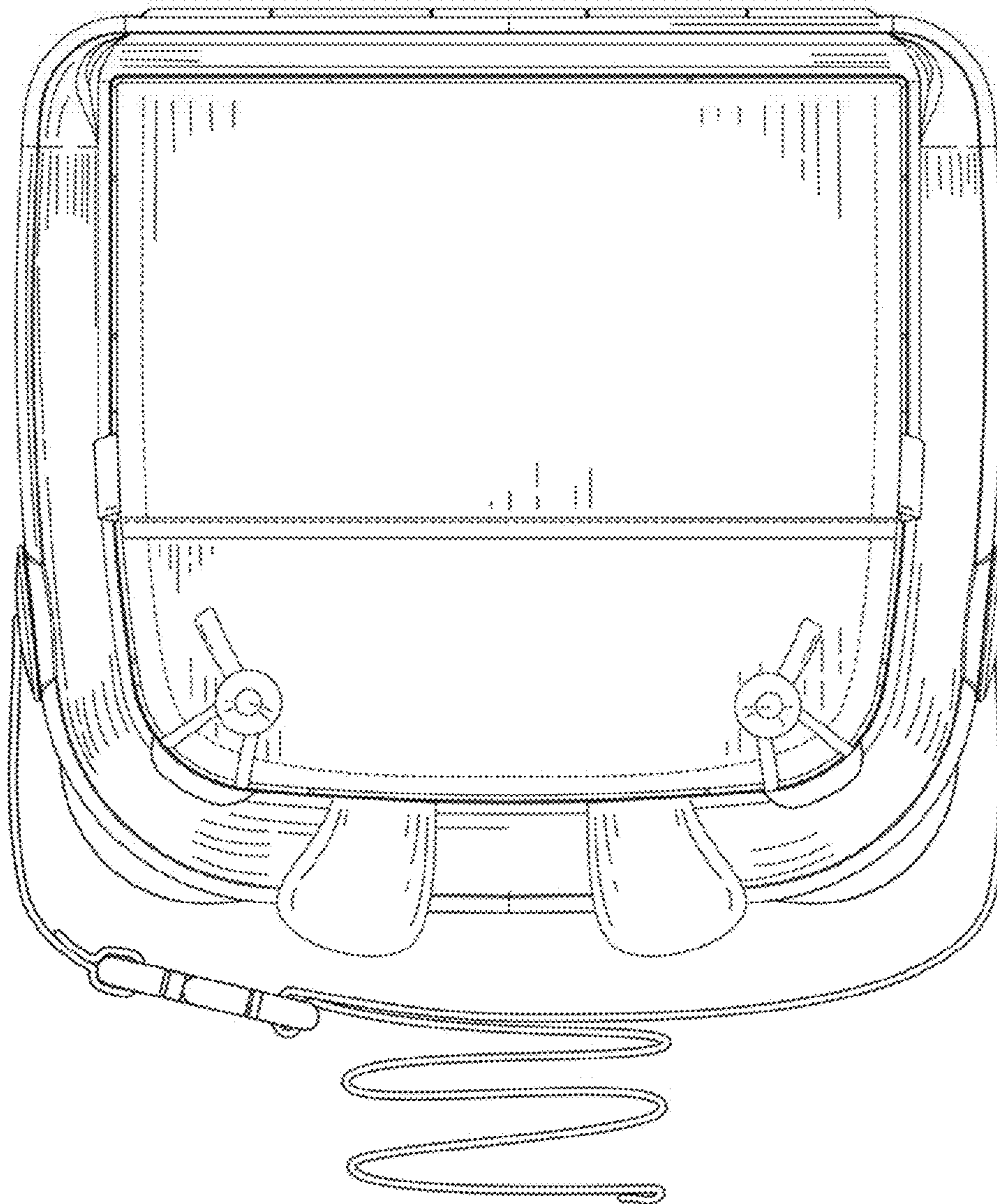


Fig. 3

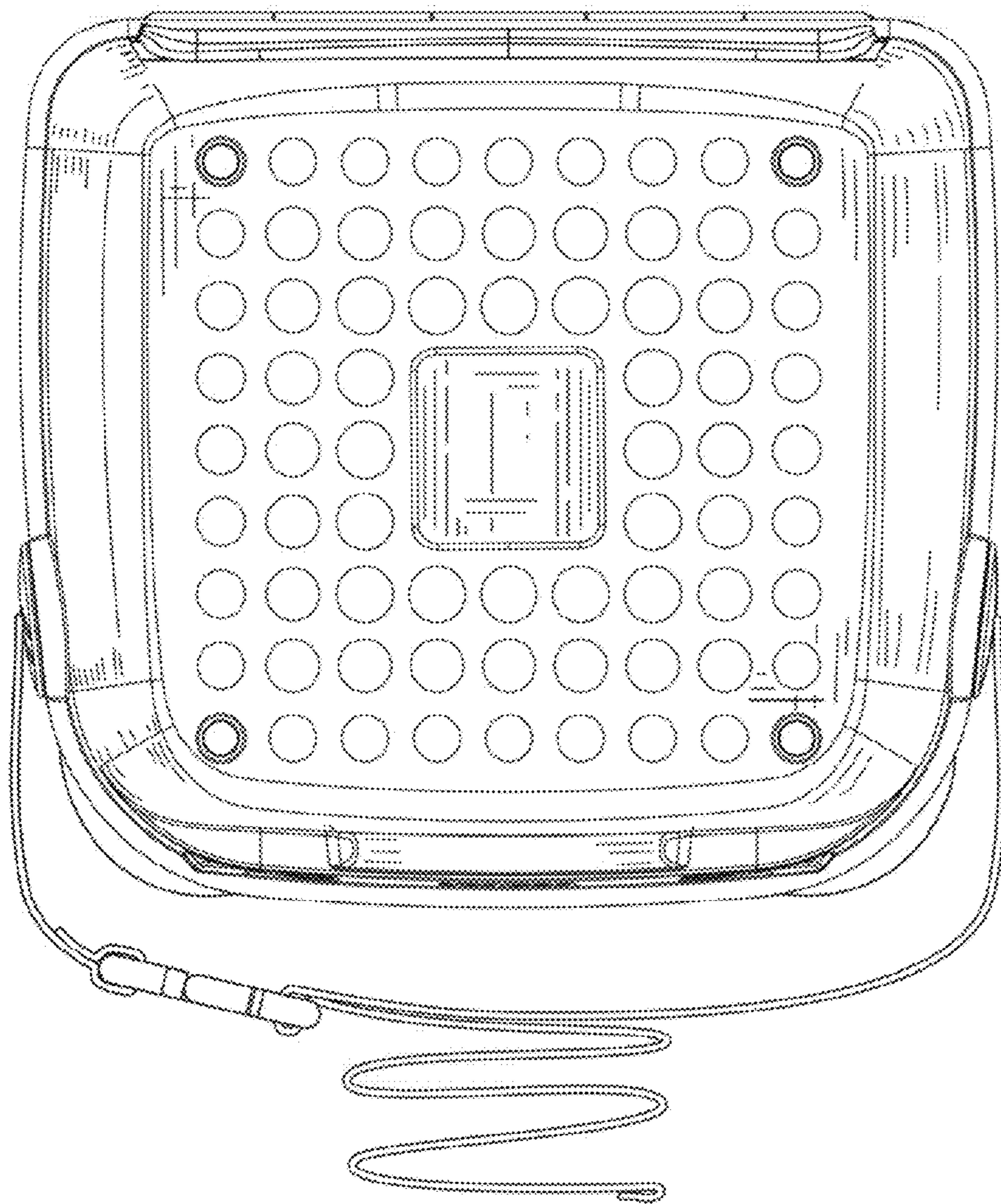


Fig. 4

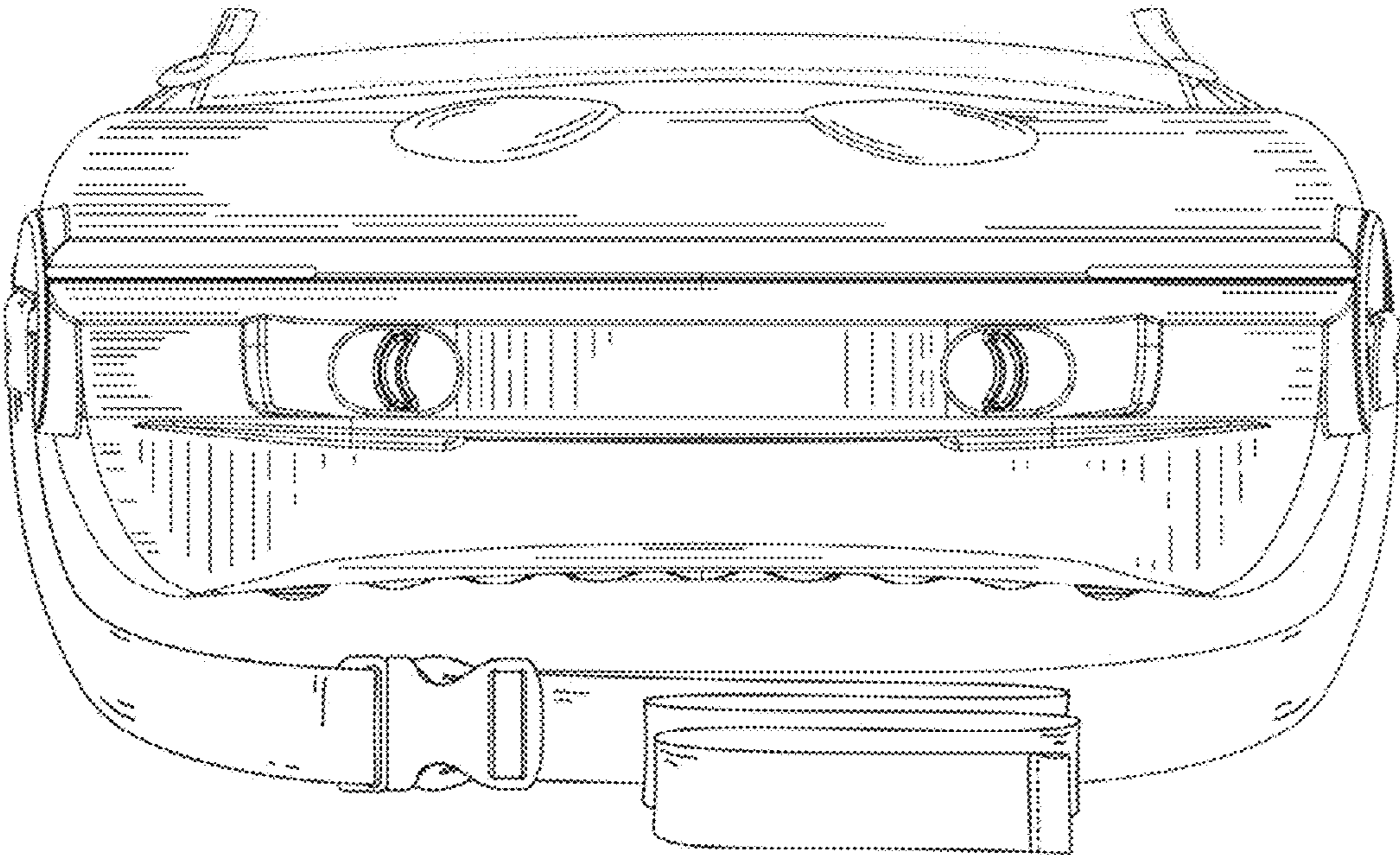


Fig. 5

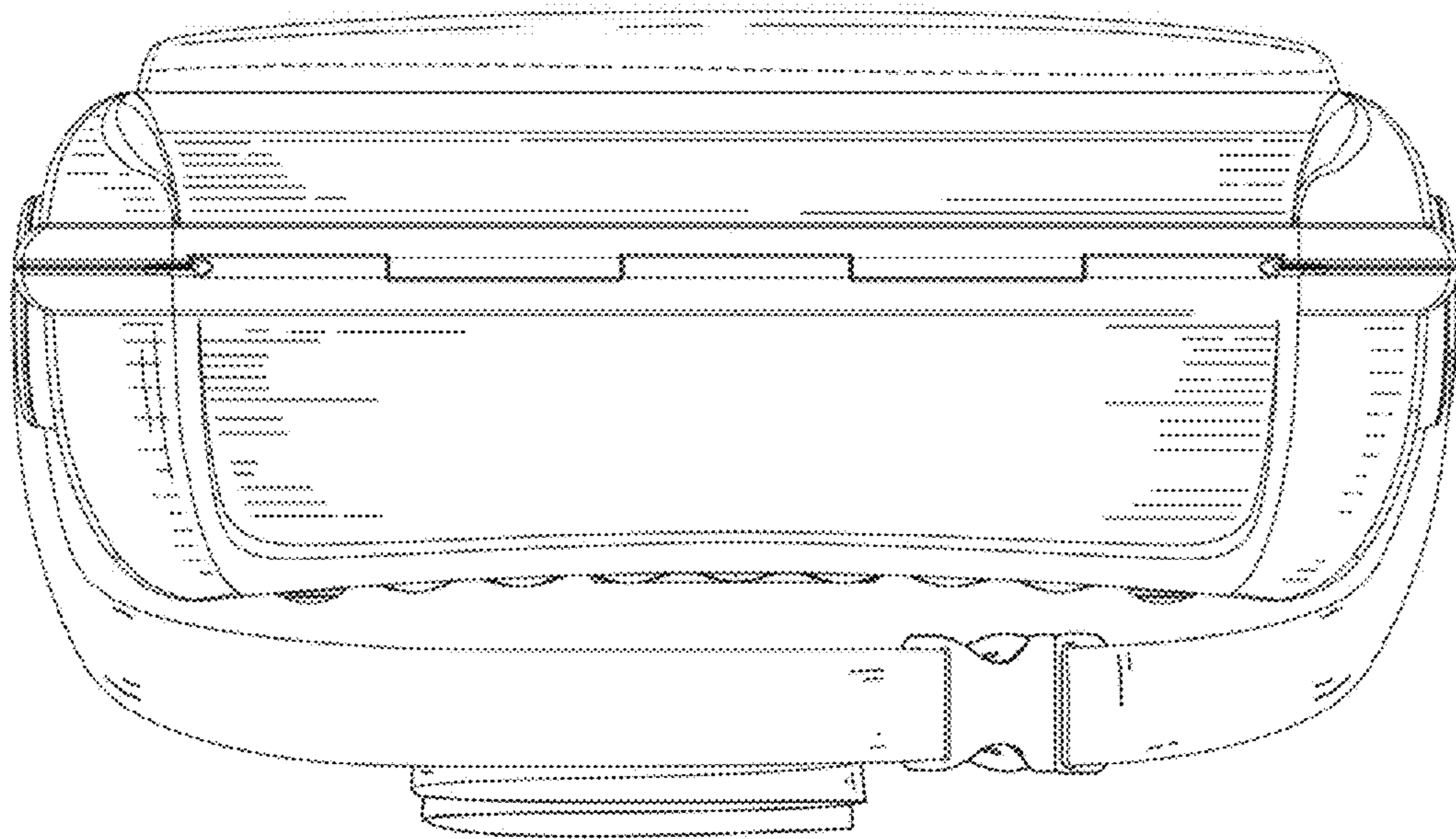


Fig. 6

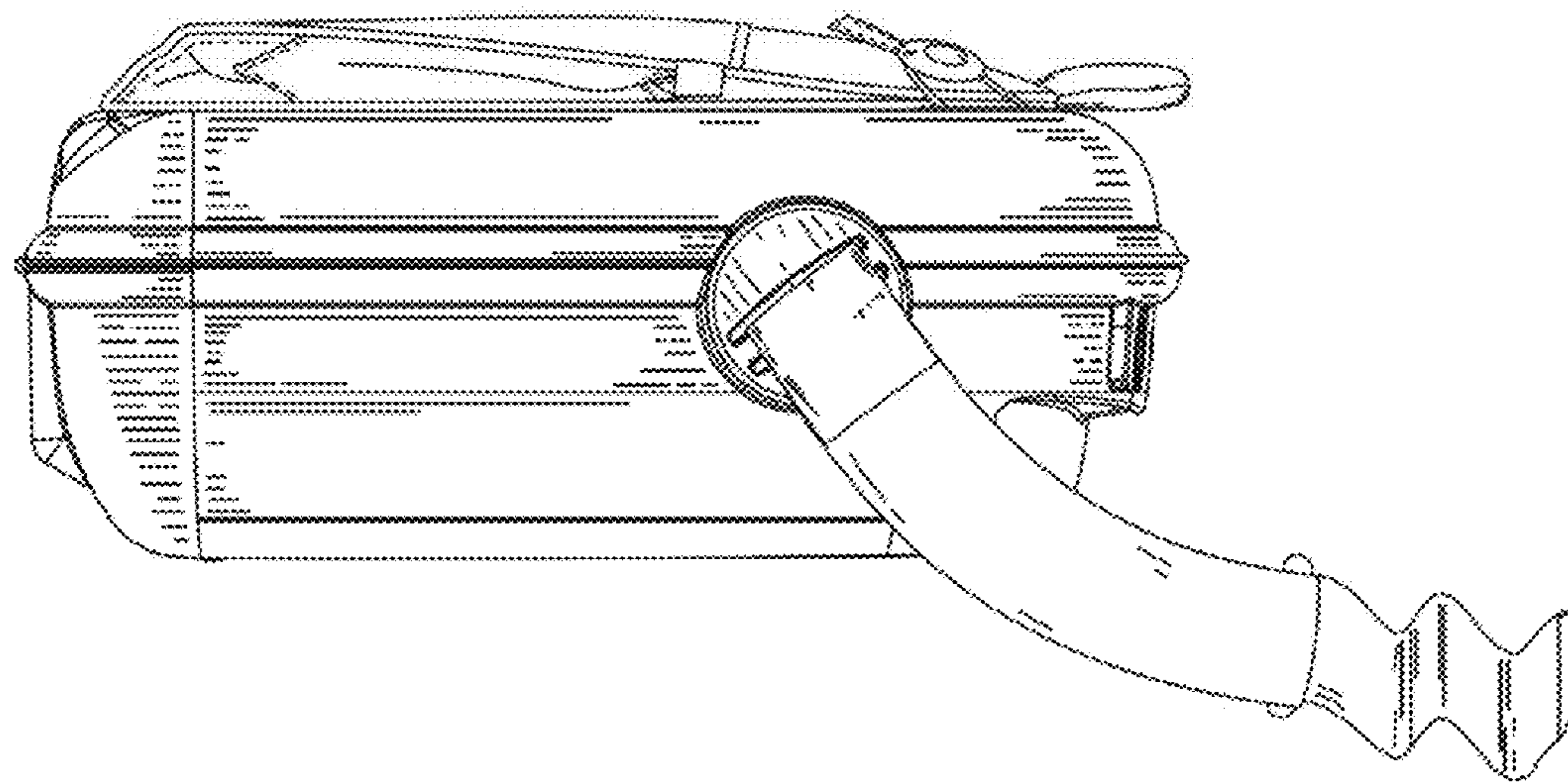


Fig. 7

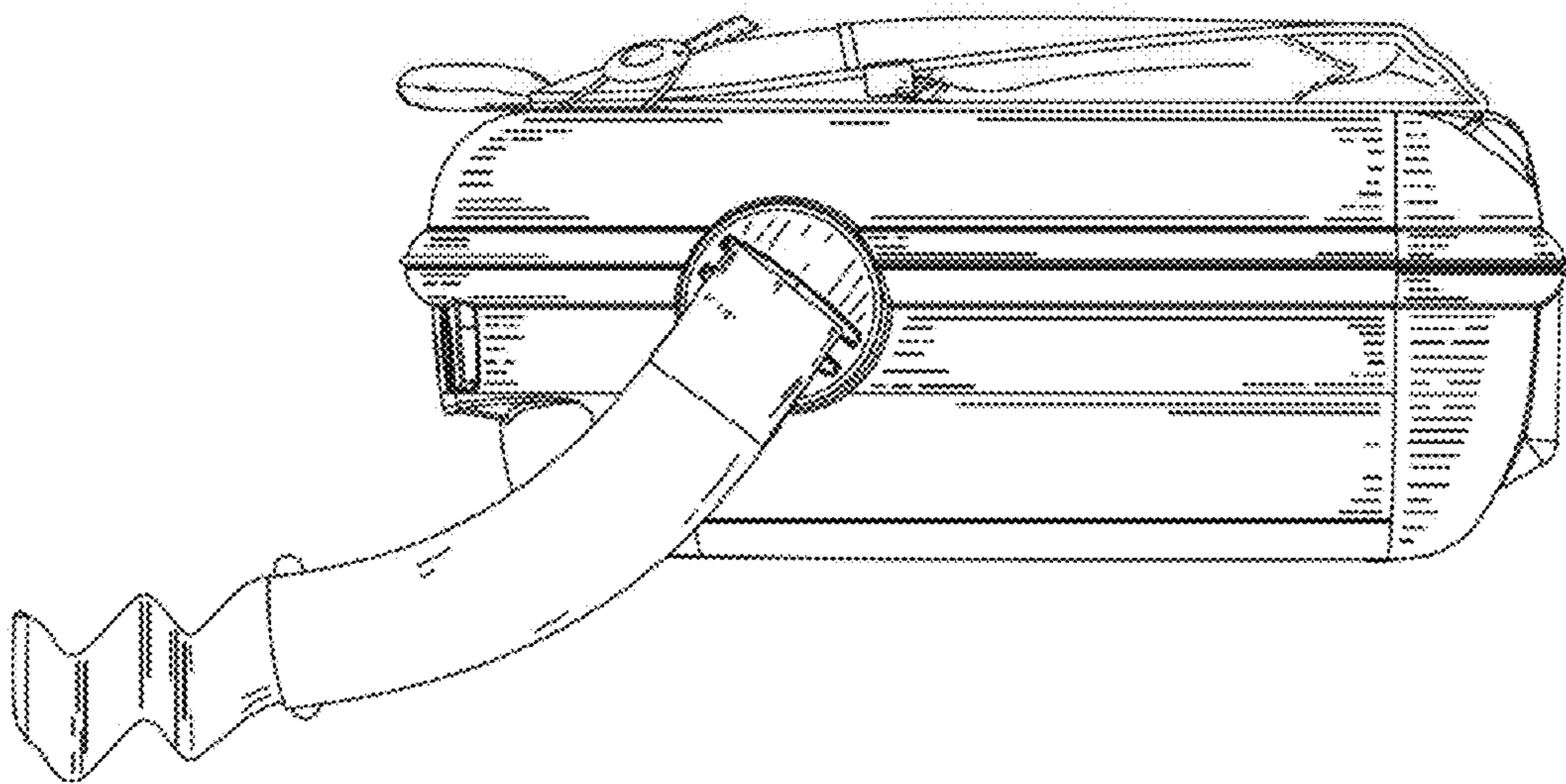


Fig. 8



Fig. 9

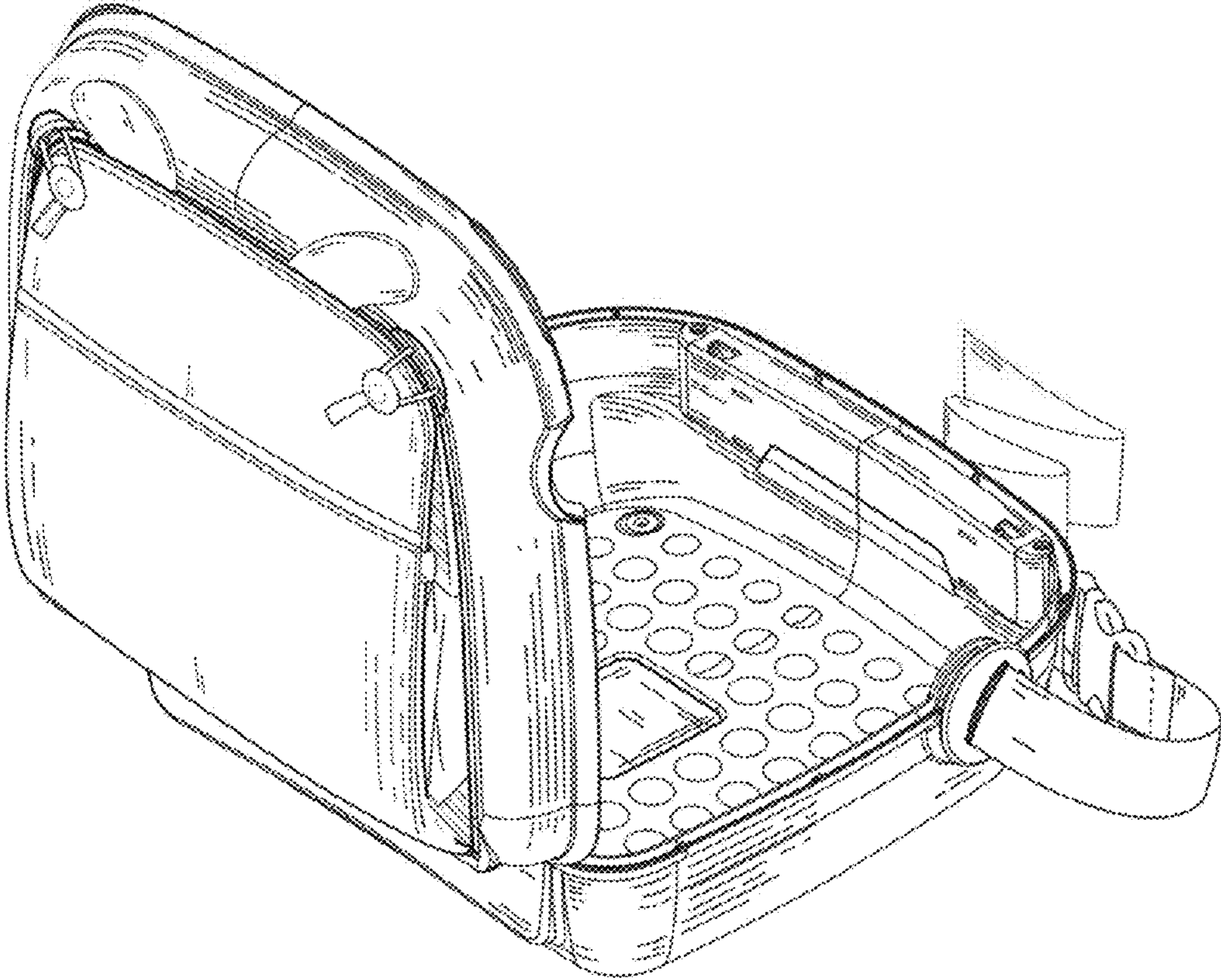


Fig. 10

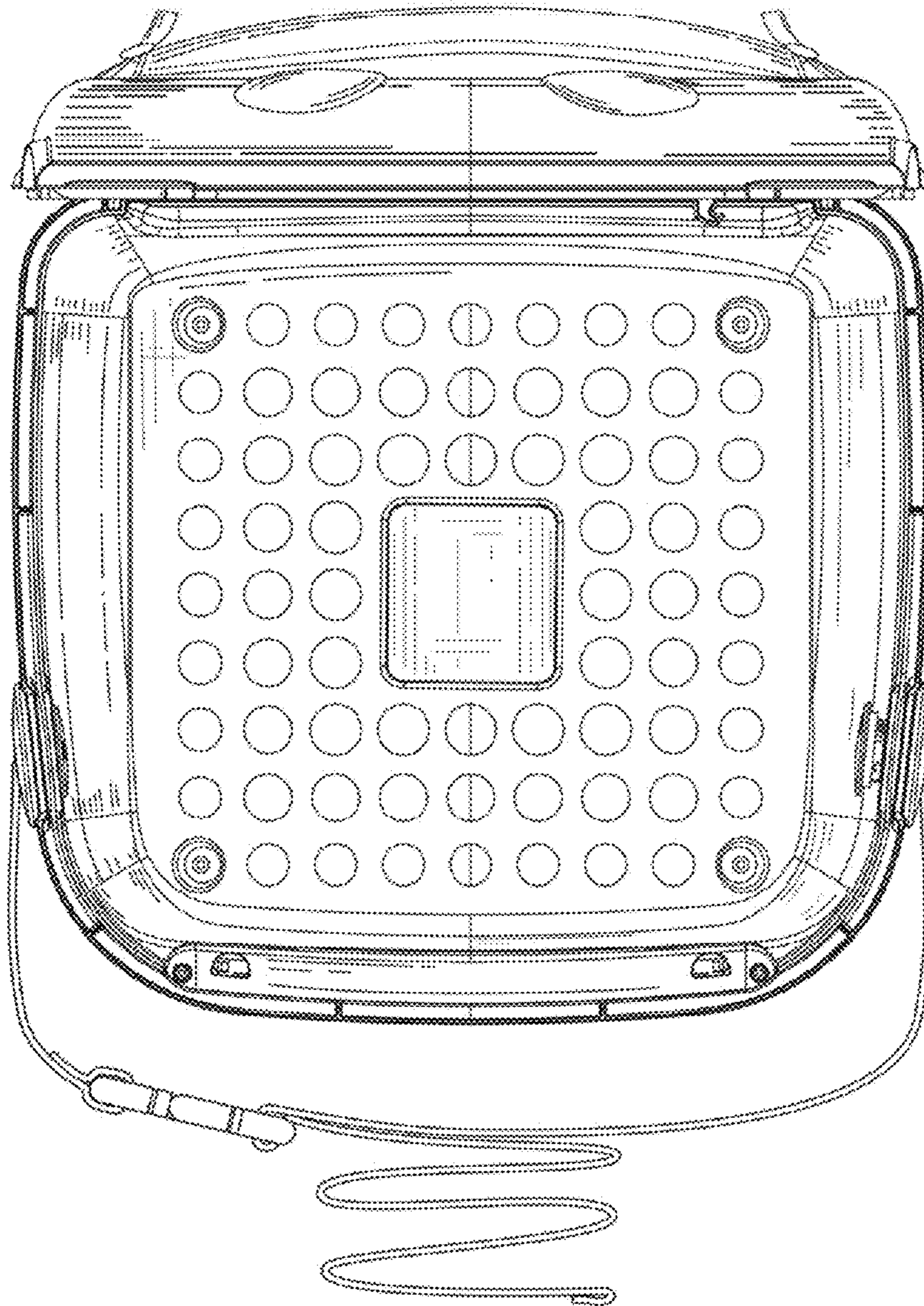


Fig. 11

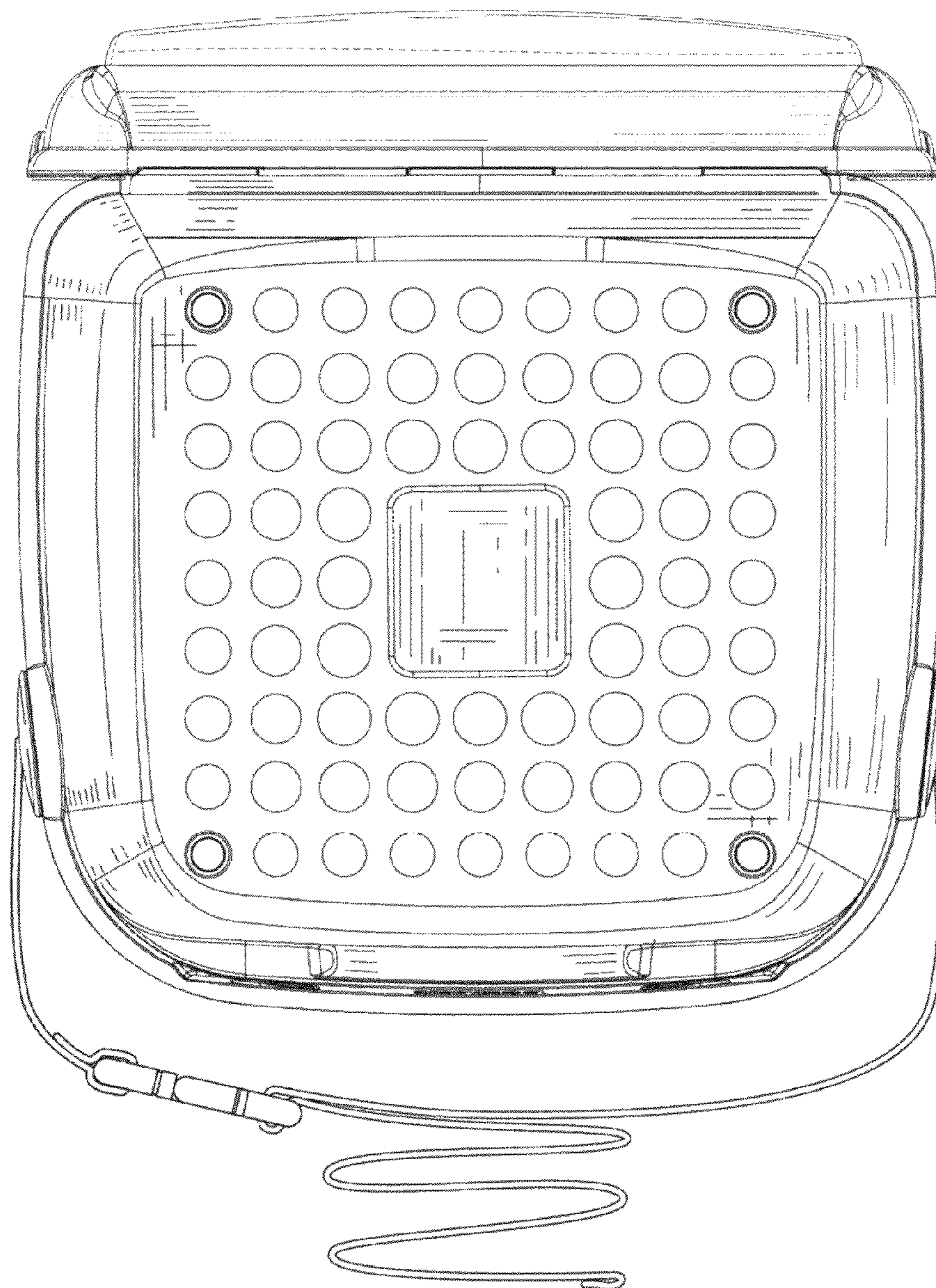


Fig. 12

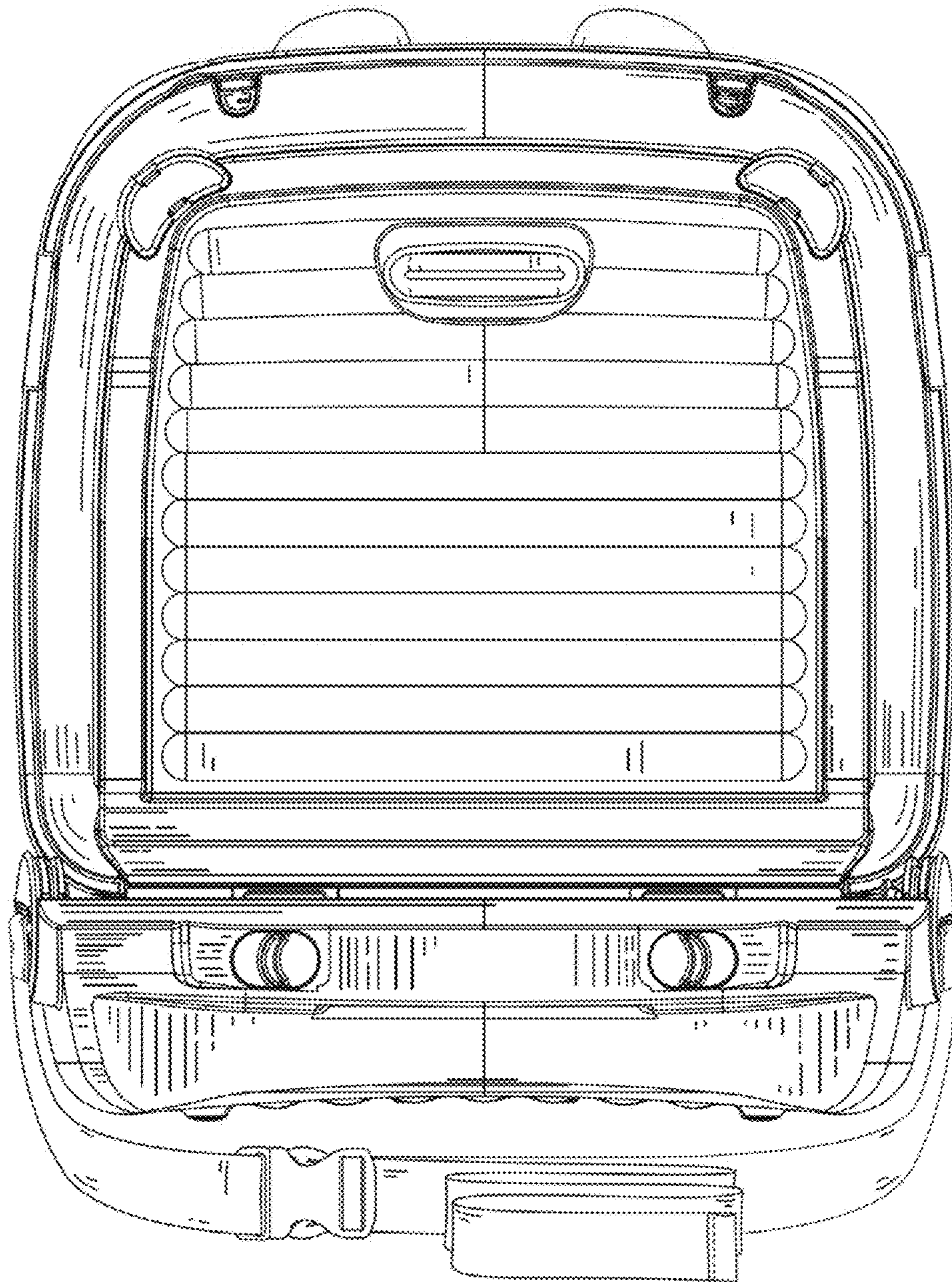


Fig. 13

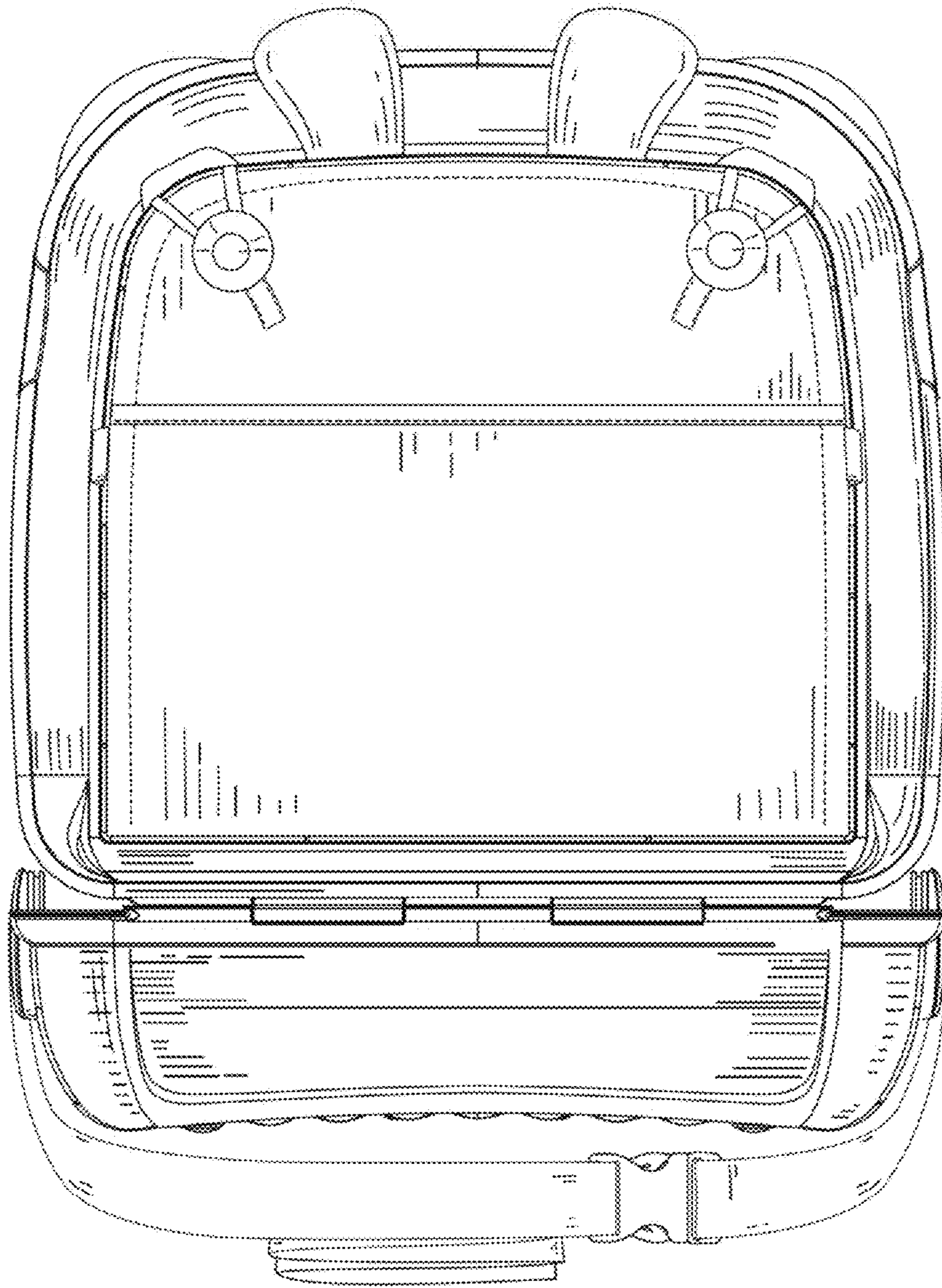


Fig. 14

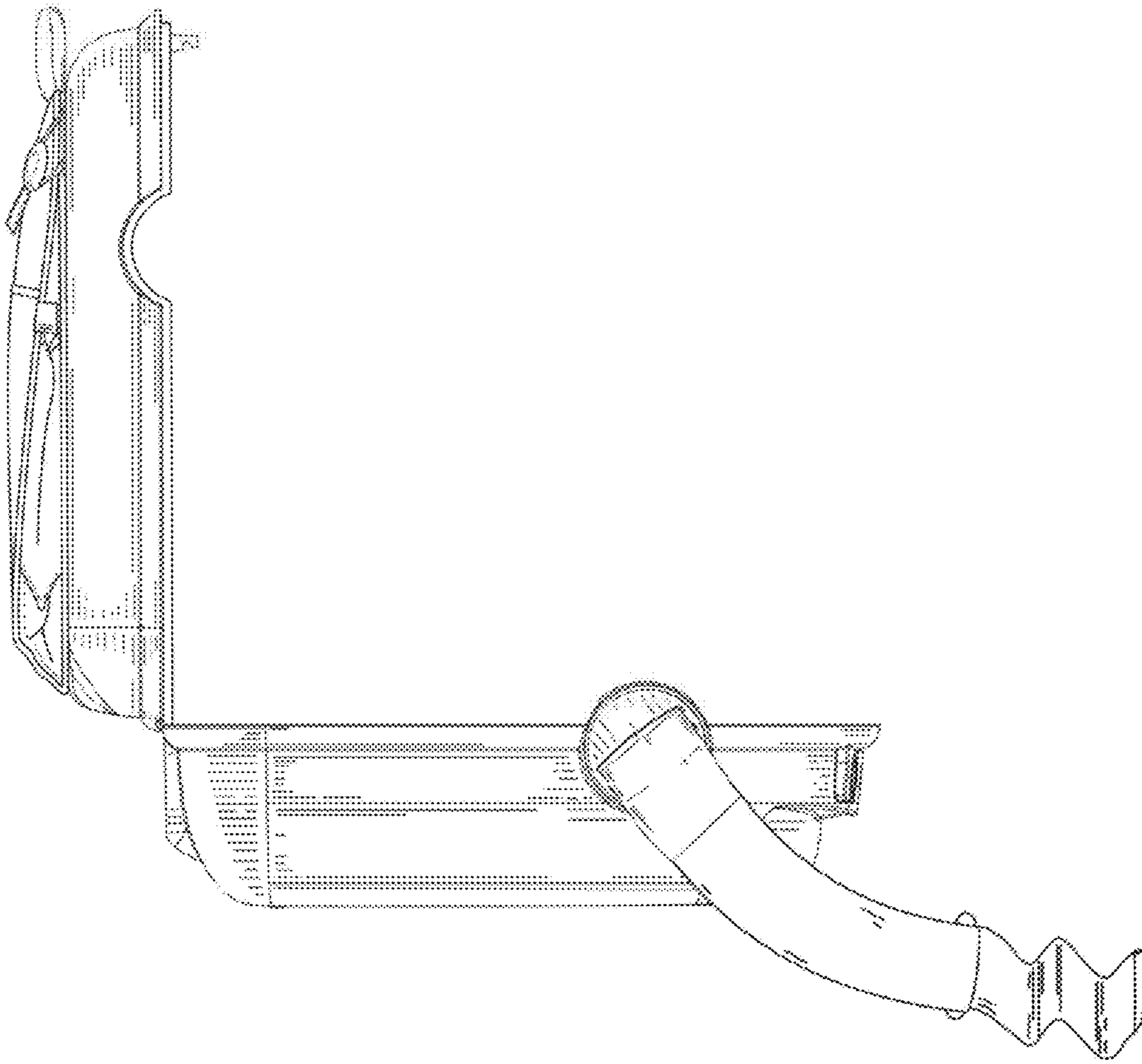


Fig. 15

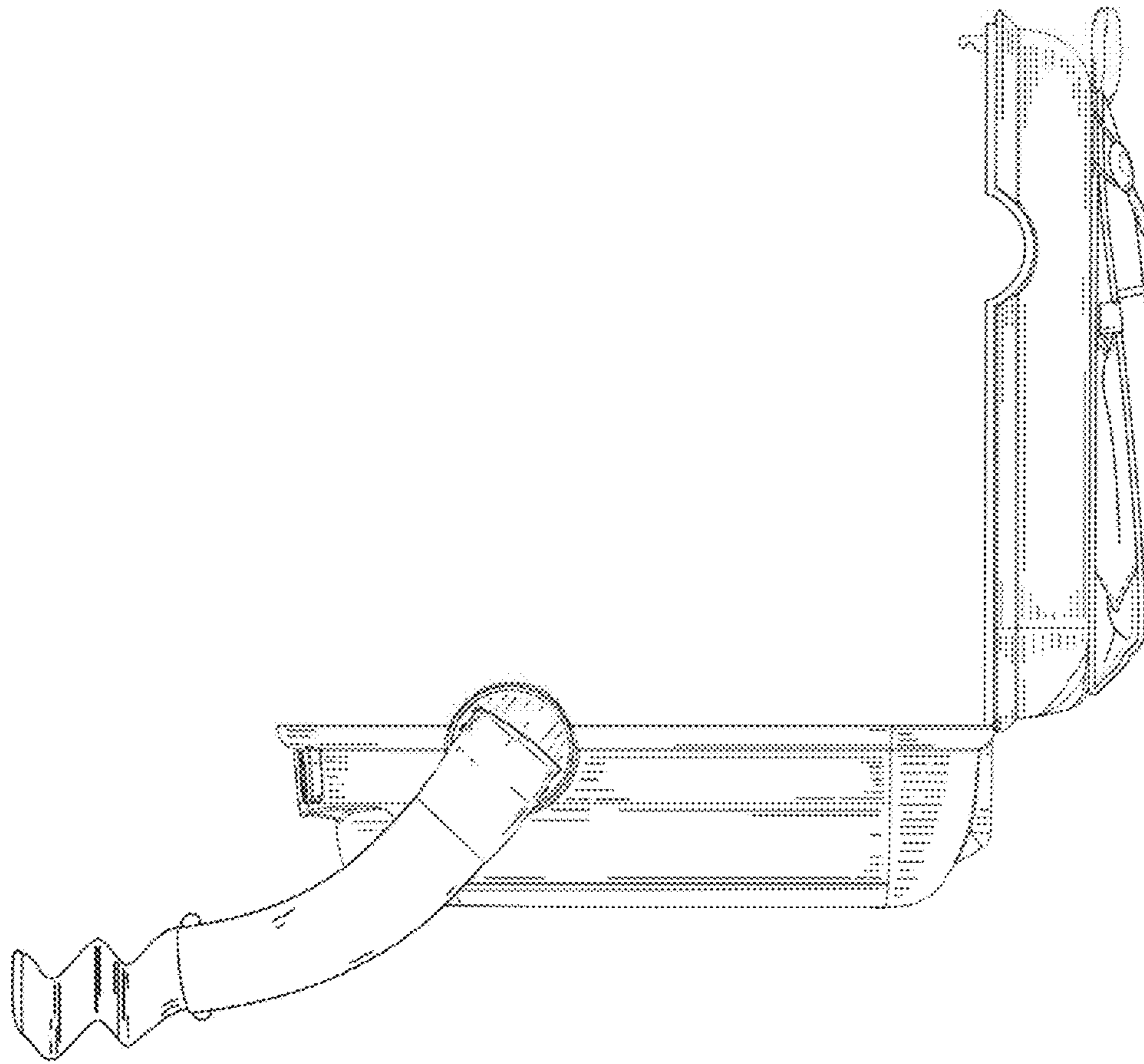


Fig. 16

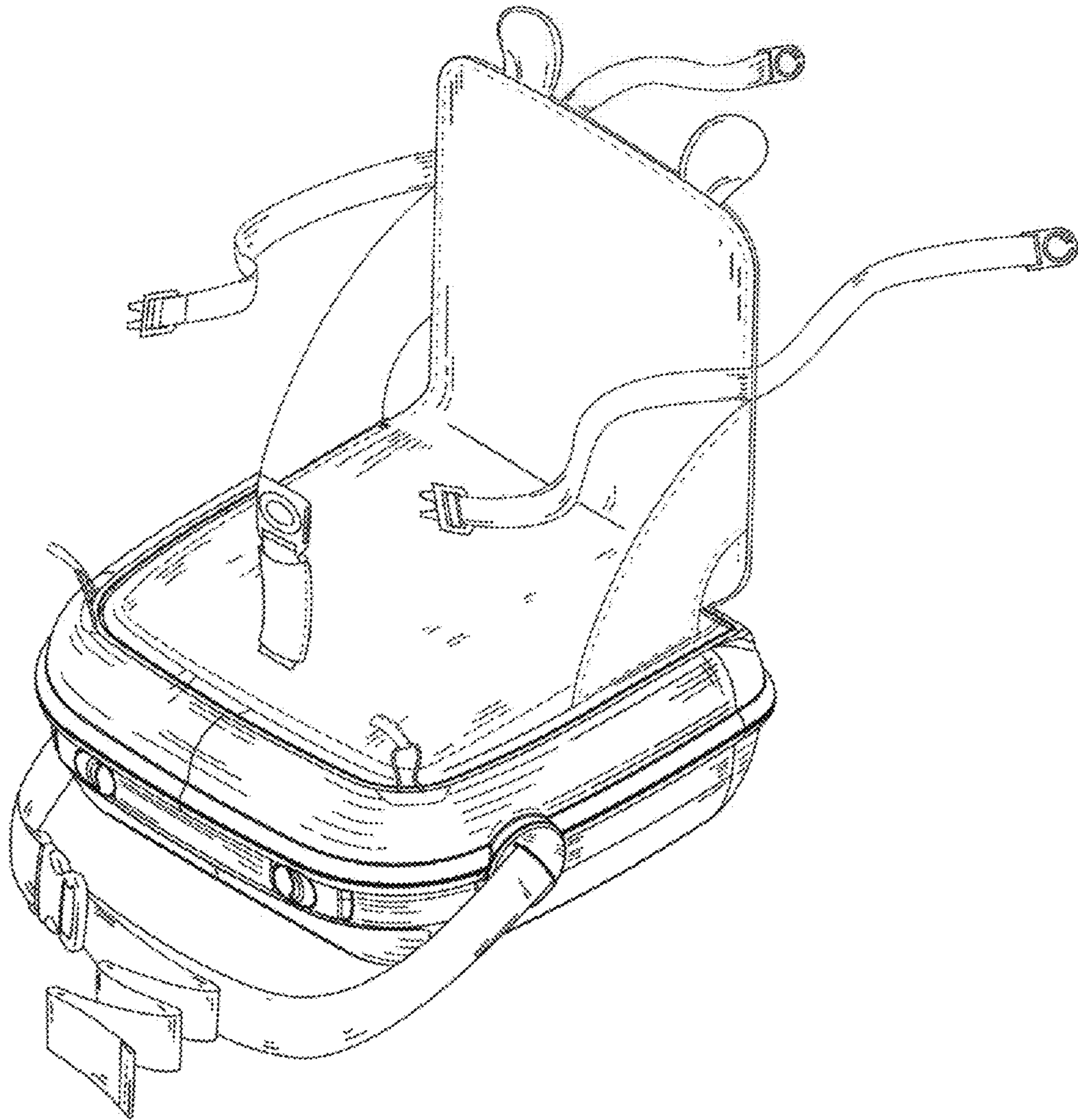


Fig. 17

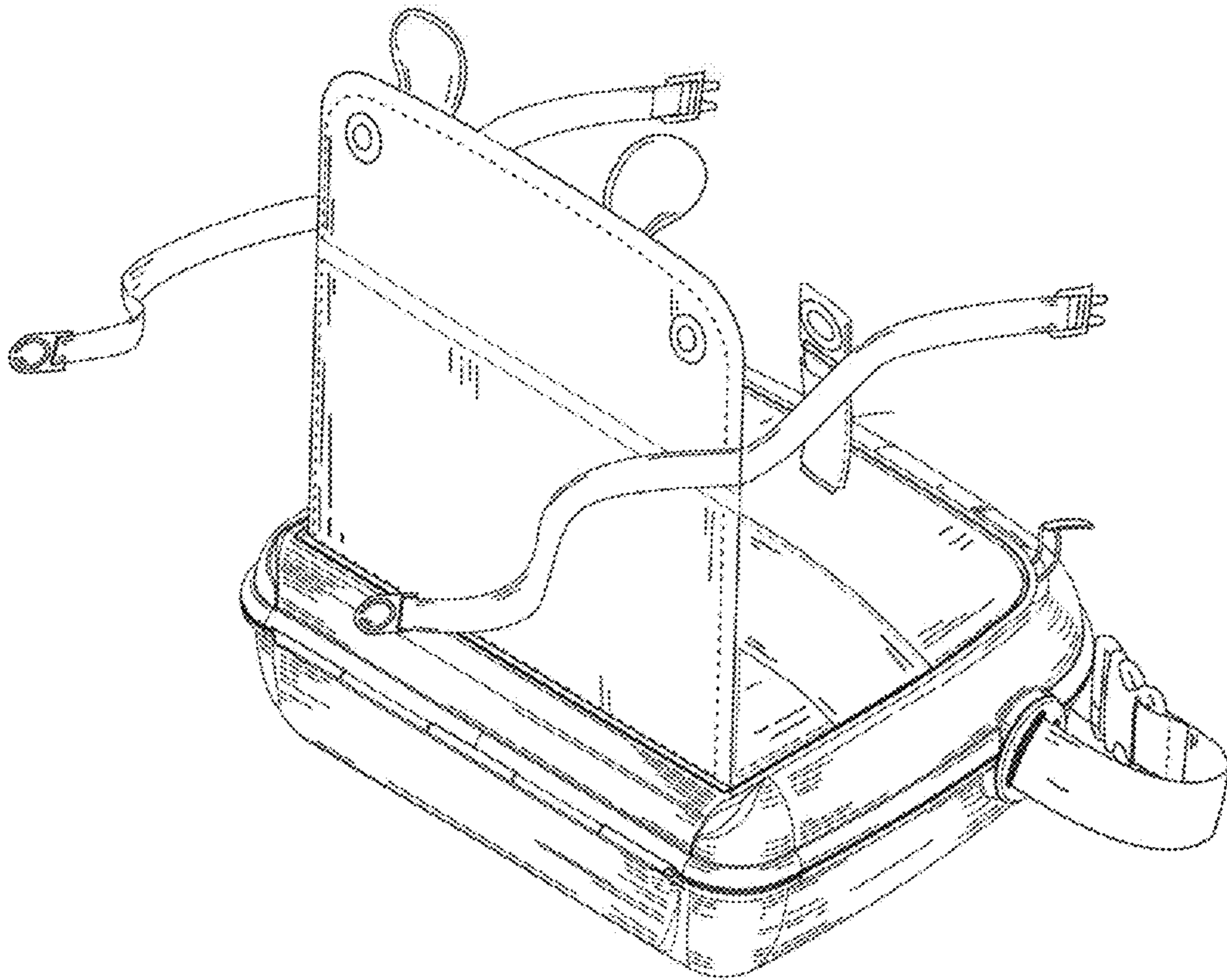


Fig. 18