



US00D696518S

(12) **United States Design Patent**
Ballmaier et al.

(10) **Patent No.:** **US D696,518 S**
(45) **Date of Patent:** **** Dec. 31, 2013**

(54) **TOOTHBRUSH**

(75) Inventors: **Kathi Ballmaier**, Wehrheim (DE);
Kathrin Schichtel, Schwalbach (DE);
Franziska Schmid, Frankfurt (DE);
Wolfgang Stegmann, Frankfurt (DE);
Jens Störkel, Frankfurt (DE); **Martin Vitt**, Frankfurt (DE); **Tilmann Winkler**,
Kronberg (DE)

(73) Assignee: **Braun GmbH**, Kronberg (DE)

(**) Term: **14 Years**

(21) Appl. No.: **29/392,308**

(22) Filed: **May 19, 2011**

(30) **Foreign Application Priority Data**

Nov. 19, 2010 (WO) 574148101

(51) **LOC (9) Cl.** **04-02**

(52) **U.S. Cl.**
USPC **D4/104; D4/108**

(58) **Field of Classification Search**
USPC D4/101, 104–112, 132–134; D24/133,
D24/146, 147, 152; 15/110, 167.1, 167.2,
15/188; 132/308–311; 601/139, 141, 142;
606/161

See application file for complete search history.

(56) **References Cited**

U.S. PATENT DOCUMENTS

D276,005 S * 10/1984 Fido D4/104
D440,048 S 4/2001 Beals et al.
D506,871 S * 7/2005 Winkler et al. D4/104
D506,873 S * 7/2005 Kling D4/104
D527,526 S * 9/2006 Kling et al. D4/104
D609,013 S * 2/2010 Kling et al. D4/108
D621,160 S 8/2010 Ballmaier et al.
D621,621 S 8/2010 Winkler
D628,808 S * 12/2010 Xi et al. D4/108

D646,063 S * 10/2011 Ballmaier et al. D4/104
D663,123 S 7/2012 Winkler
D666,005 S 8/2012 Winkler
D673,776 S * 1/2013 Ballmaier et al. D4/108
D678,681 S * 3/2013 Xi et al. D4/108

FOREIGN PATENT DOCUMENTS

KR 30-0386818 S * 7/2005
KR 30-0394240 S * 10/2005
KR 30-0454114 S * 6/2007
KR 30-0454115 S * 6/2007
KR 30-0517946 S * 1/2009

* cited by examiner

Primary Examiner — Melanie H Tung

Assistant Examiner — Lavone D Tabor

(74) *Attorney, Agent, or Firm* — David M. Weirich

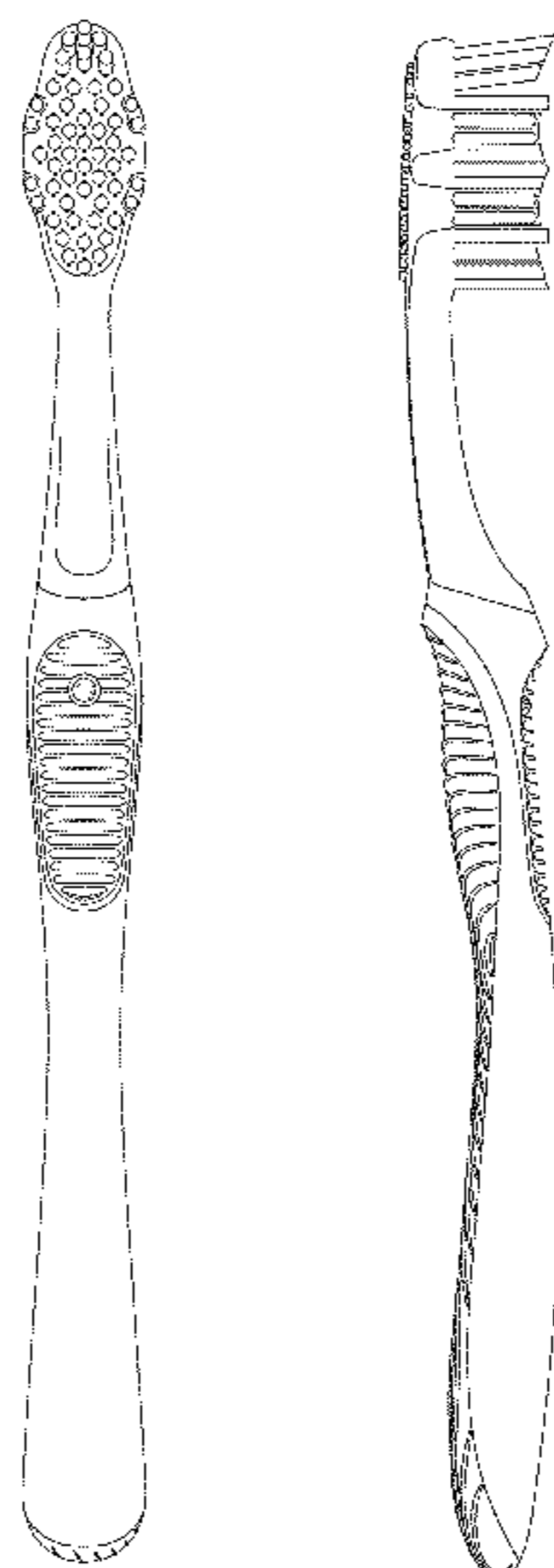
(57) **CLAIM**

The ornamental design for a toothbrush, as shown and described.

DESCRIPTION

FIG. 1 is a perspective view showing a first embodiment of a toothbrush;
FIG. 2 is a front view thereof;
FIG. 3 is a right side view thereof;
FIG. 4 is a rear view thereof;
FIG. 5 is a left side view thereof;
FIG. 6 is an enlarged top plan view thereof; and
FIG. 7 is an enlarged bottom view thereof.
FIG. 8 is a perspective view showing a second embodiment of a toothbrush;
FIG. 9 is a front view thereof;
FIG. 10 is a right side view thereof;
FIG. 11 is a rear view thereof;
FIG. 12 is a left side view thereof;
FIG. 13 is an enlarged top plan view thereof; and,
FIG. 14 is an enlarged bottom view thereof.

1 Claim, 14 Drawing Sheets



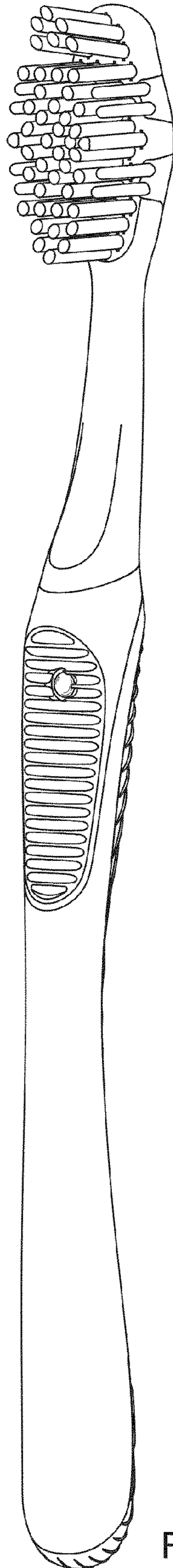


Fig. 1

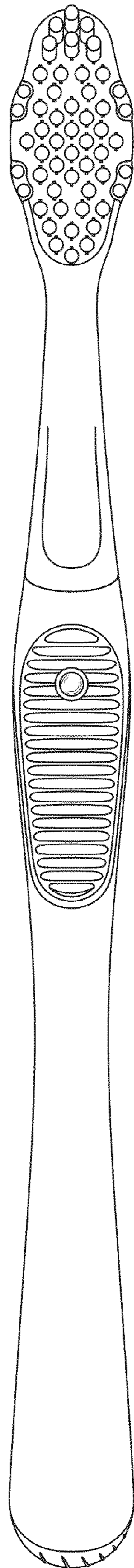


Fig. 2

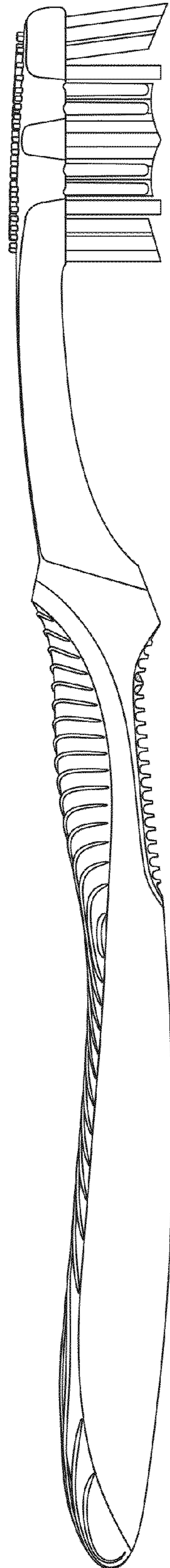


Fig. 3

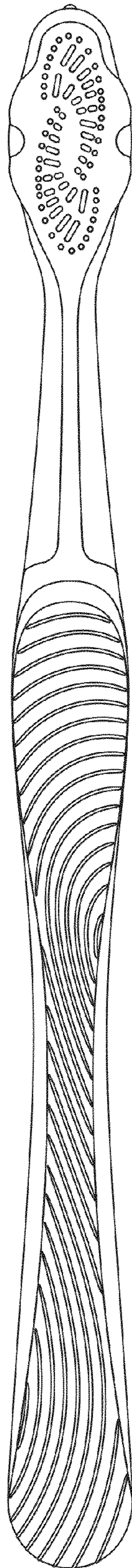


Fig. 4

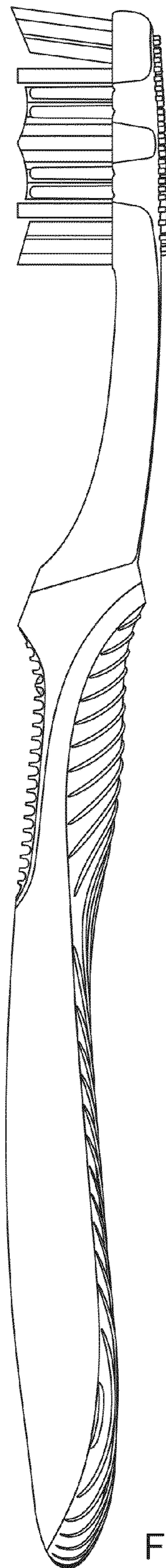


Fig. 5

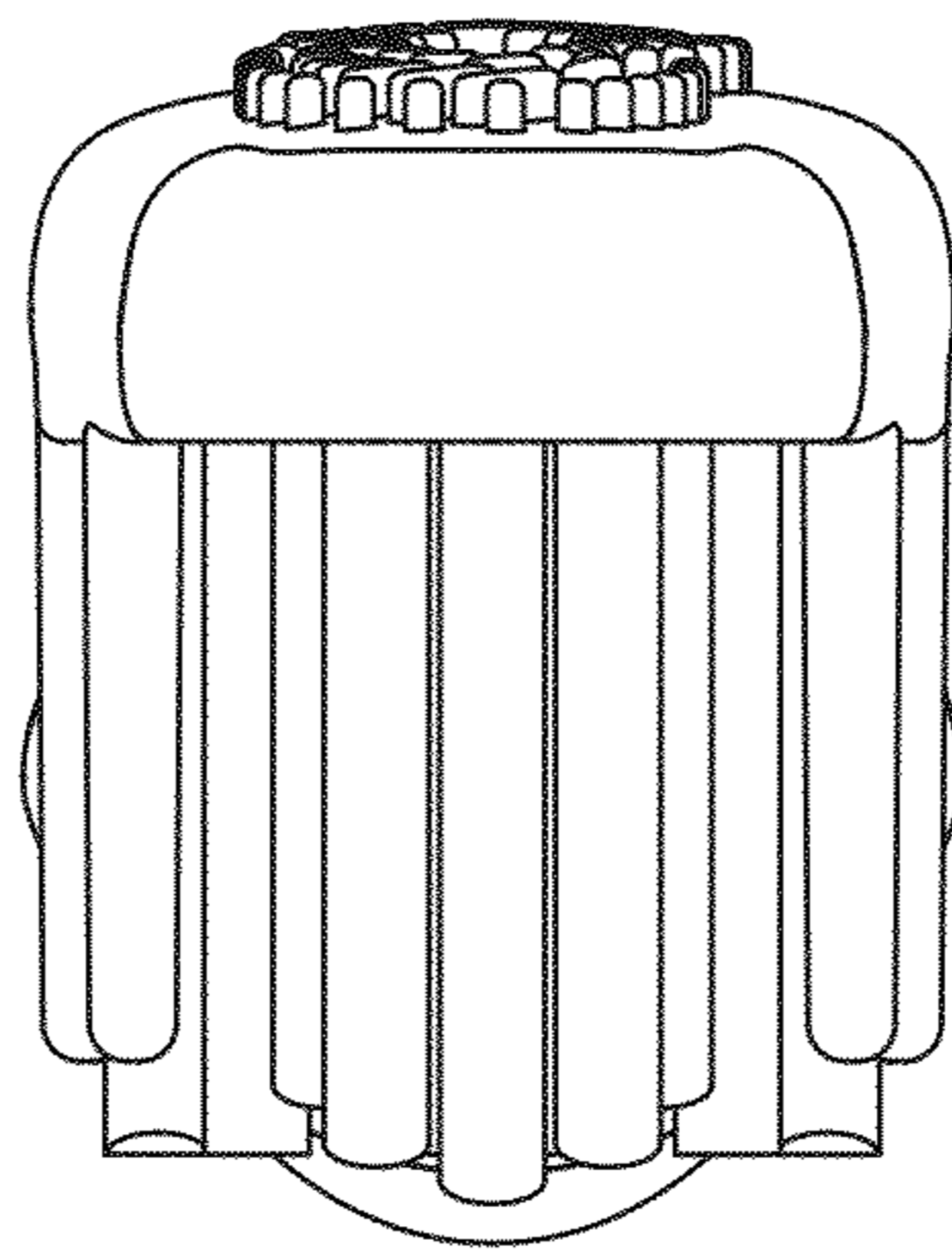


Fig. 6

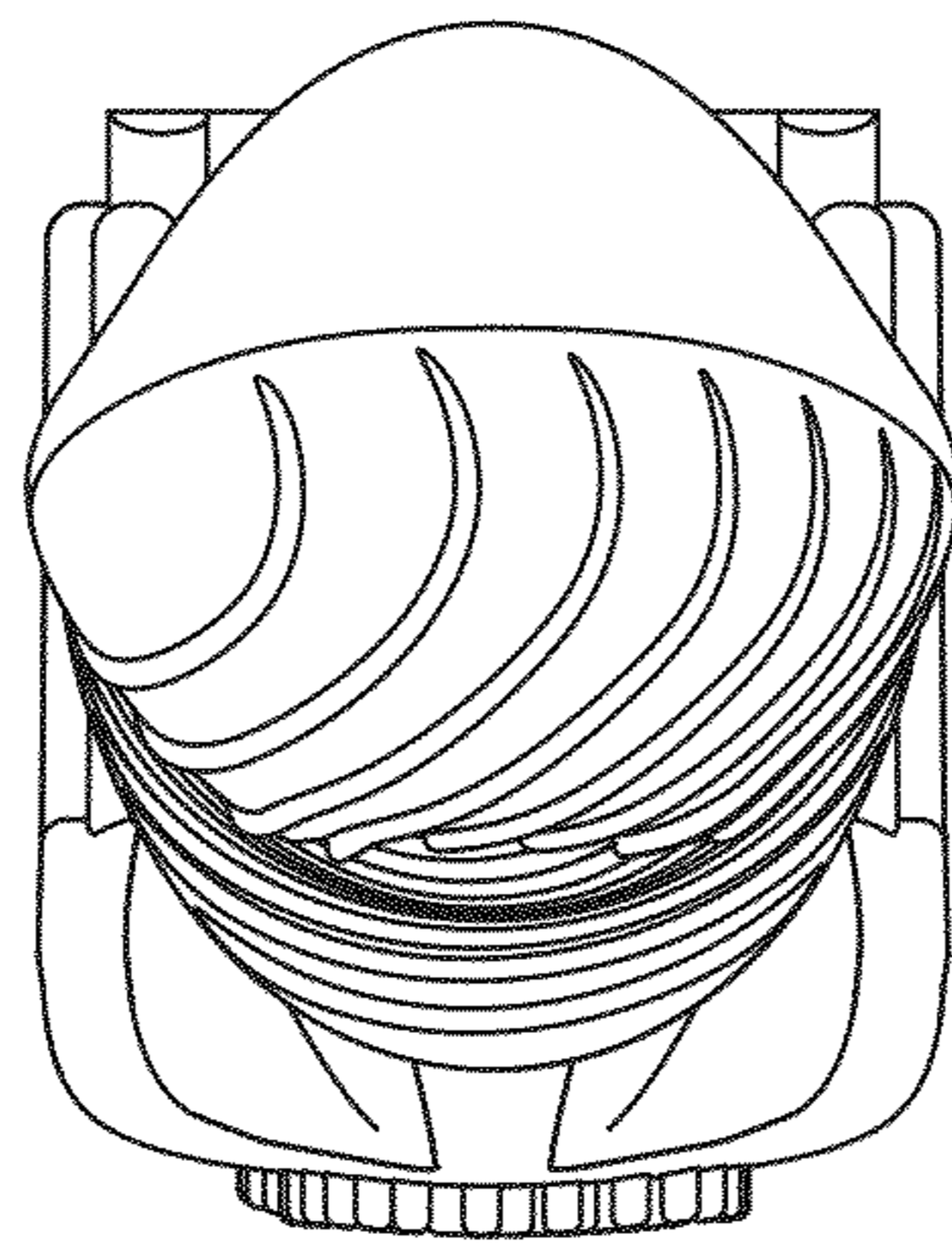


Fig. 7

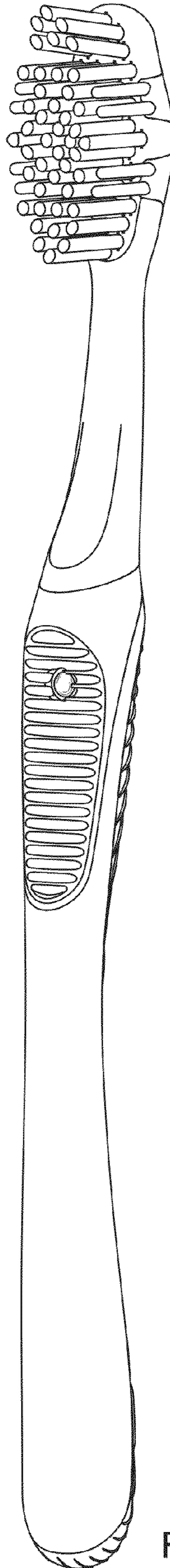


Fig. 8

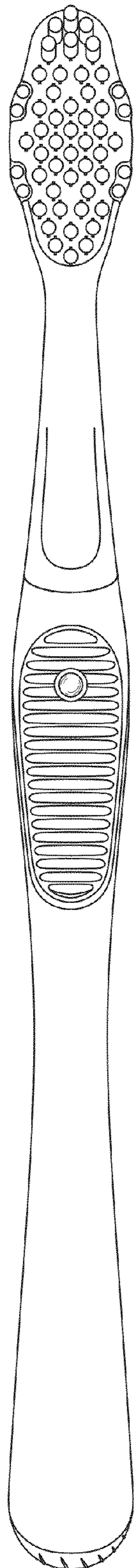


Fig. 9

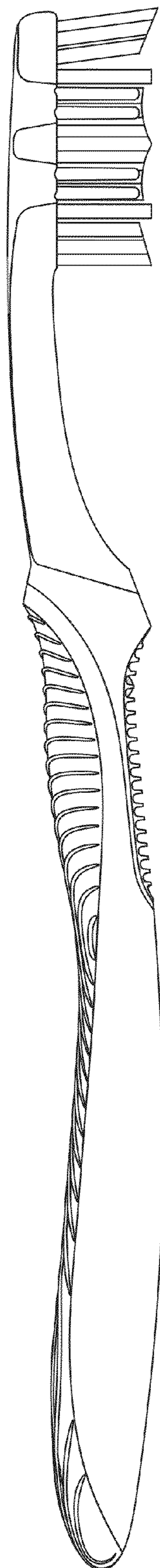


Fig. 10

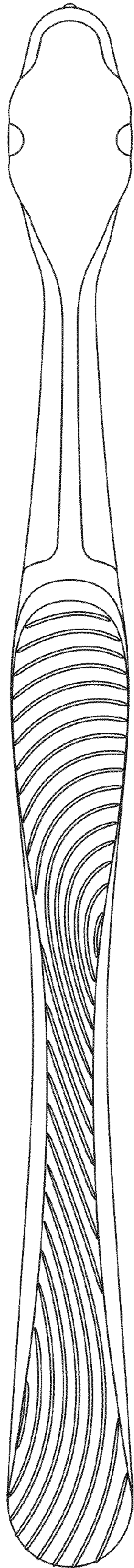


Fig. 11

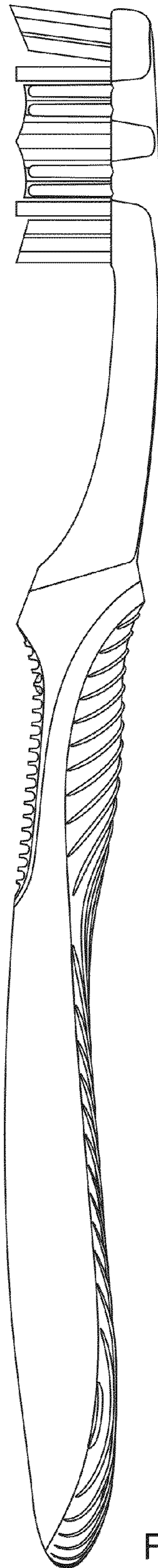


Fig. 12

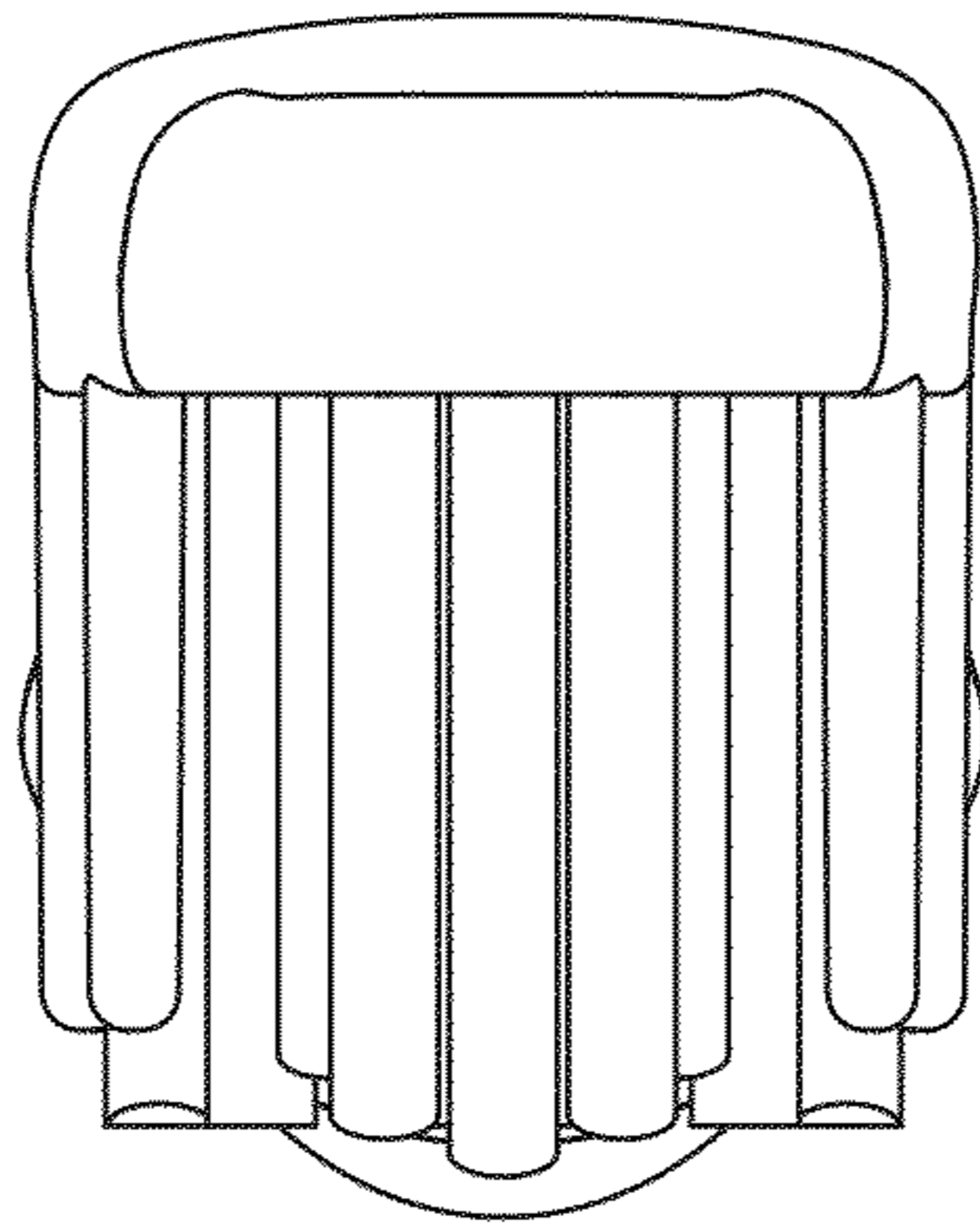


Fig. 13

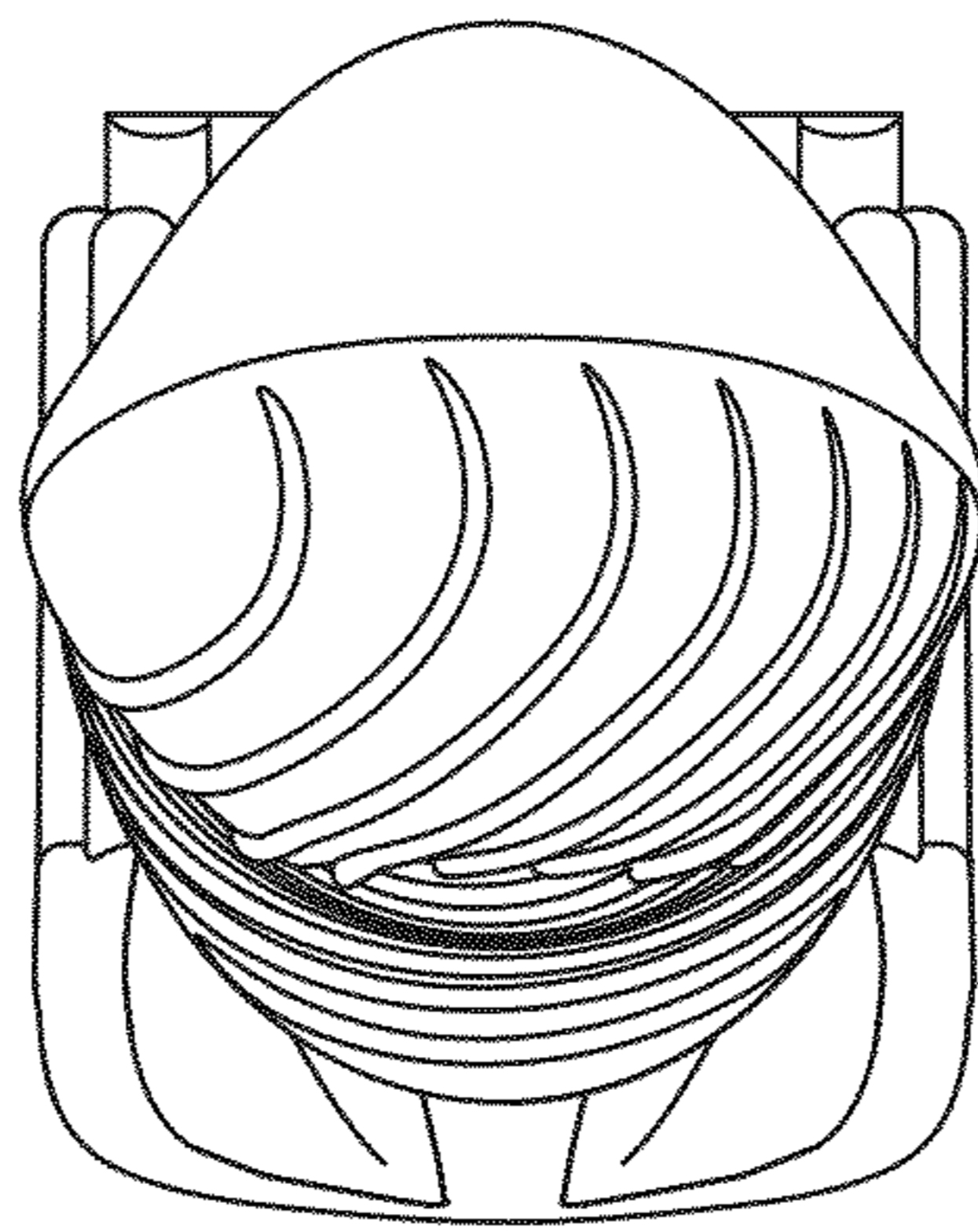


Fig. 14