



US00D696515S

(12) **United States Design Patent**
McAdam

(10) **Patent No.:** **US D696,515 S**

(45) **Date of Patent:** **** Dec. 31, 2013**

(54) **POP UP PACKAGING BAND**

(71) Applicant: **Leo Paper Bags Manufacturing (1982) Limited**, Kowloon Bay (HK)

(72) Inventor: **Christine McAdam**, Issaquah, WA (US)

(73) Assignee: **Leo Paper Bags Manufacturing Limited**, Kowloon Bay (HK)

(**) Term: **14 Years**

(21) Appl. No.: **29/433,456**

(22) Filed: **Sep. 29, 2012**

(51) **LOC (9) Cl.** **03-01**

(52) **U.S. Cl.**
USPC **D3/271.1**

(58) **Field of Classification Search**
USPC D3/269–271.1, 271.8; D9/600, 661,
D9/663; 206/457, 458, 822, 216;
229/116.1, 116.5, 153–158, 922, 923,
229/109, 138, 103.3, 117.34, 140
See application file for complete search history.

(56) **References Cited**

U.S. PATENT DOCUMENTS

3,515,332 A * 6/1970 Smith 229/149
4,201,331 A * 5/1980 Austin 229/140
5,558,272 A * 9/1996 Magister 229/109

D410,196 S * 5/1999 Berg D9/432
D463,269 S * 9/2002 Gatti D9/661
D464,261 S * 10/2002 Hereth D9/422
D507,178 S * 7/2005 Biddlecom et al. D9/432
D508,166 S * 8/2005 Liu D3/271.1
D525,429 S * 7/2006 Lalwani D3/271.1
D579,702 S * 11/2008 McArdle D6/515
D590,594 S * 4/2009 Nathanson D3/271.1
D611,656 S * 3/2010 Lai D28/79
D635,052 S * 3/2011 Rooney D11/146
D674,190 S * 1/2013 Wijerama et al. D3/271.1
2007/0039849 A1 * 2/2007 Rodriguez 206/457

* cited by examiner

Primary Examiner — Cynthia Ramirez

(74) *Attorney, Agent, or Firm* — MDIP LLC

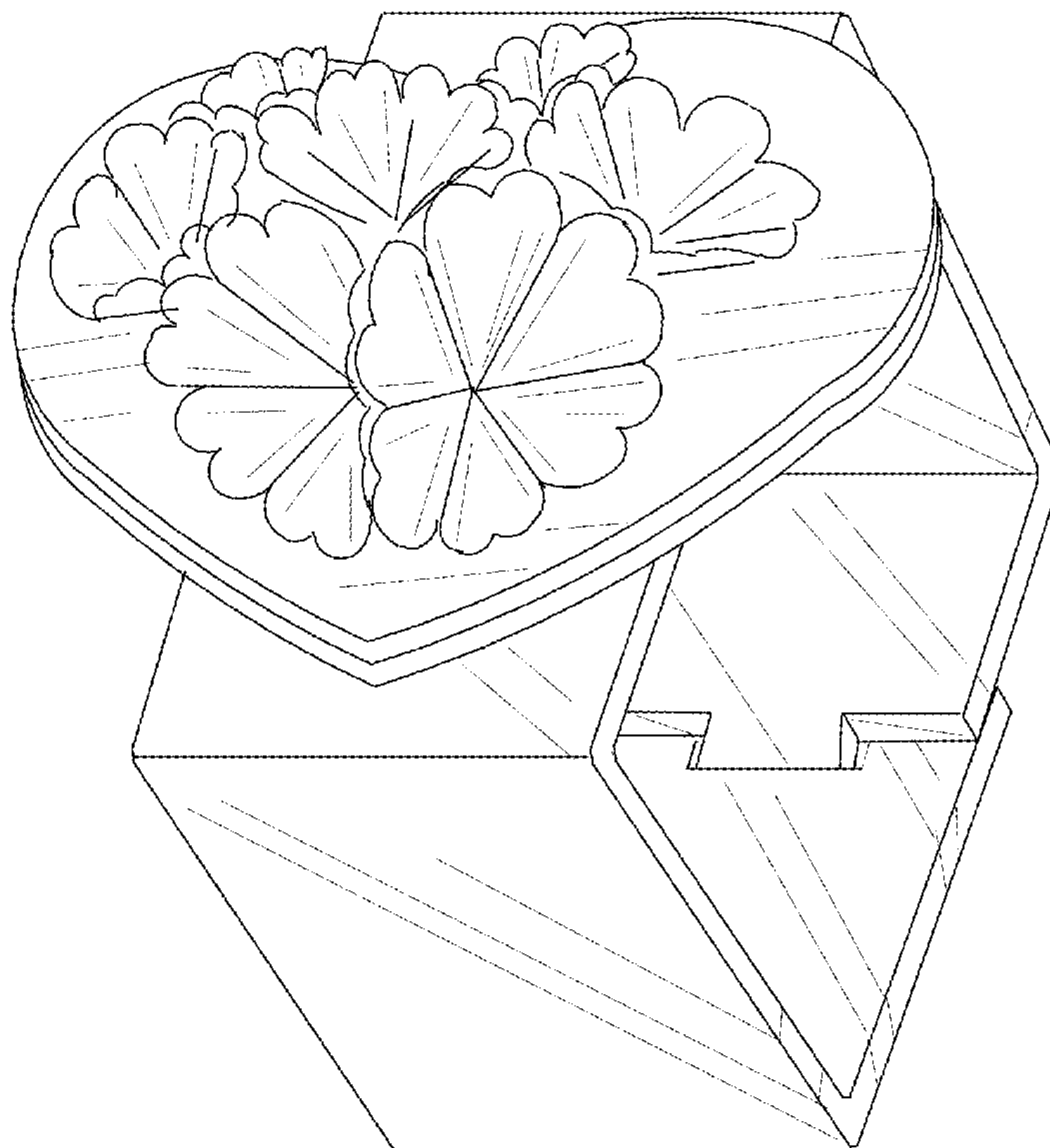
(57) **CLAIM**

The ornamental design for a pop up packaging band, as shown and described.

DESCRIPTION

FIG. 1 is a perspective view generally taken from one side of the pop up packaging band showing the design;
FIG. 2 is a view of the pop up packaging band in use;
FIG. 3 is a bottom view thereof;
FIG. 4 is a unfolded view thereof; and,
FIG. 5 is a folded view thereof.
The broken lines are for illustrative purposes only and form no part of the claimed design.

1 Claim, 5 Drawing Sheets



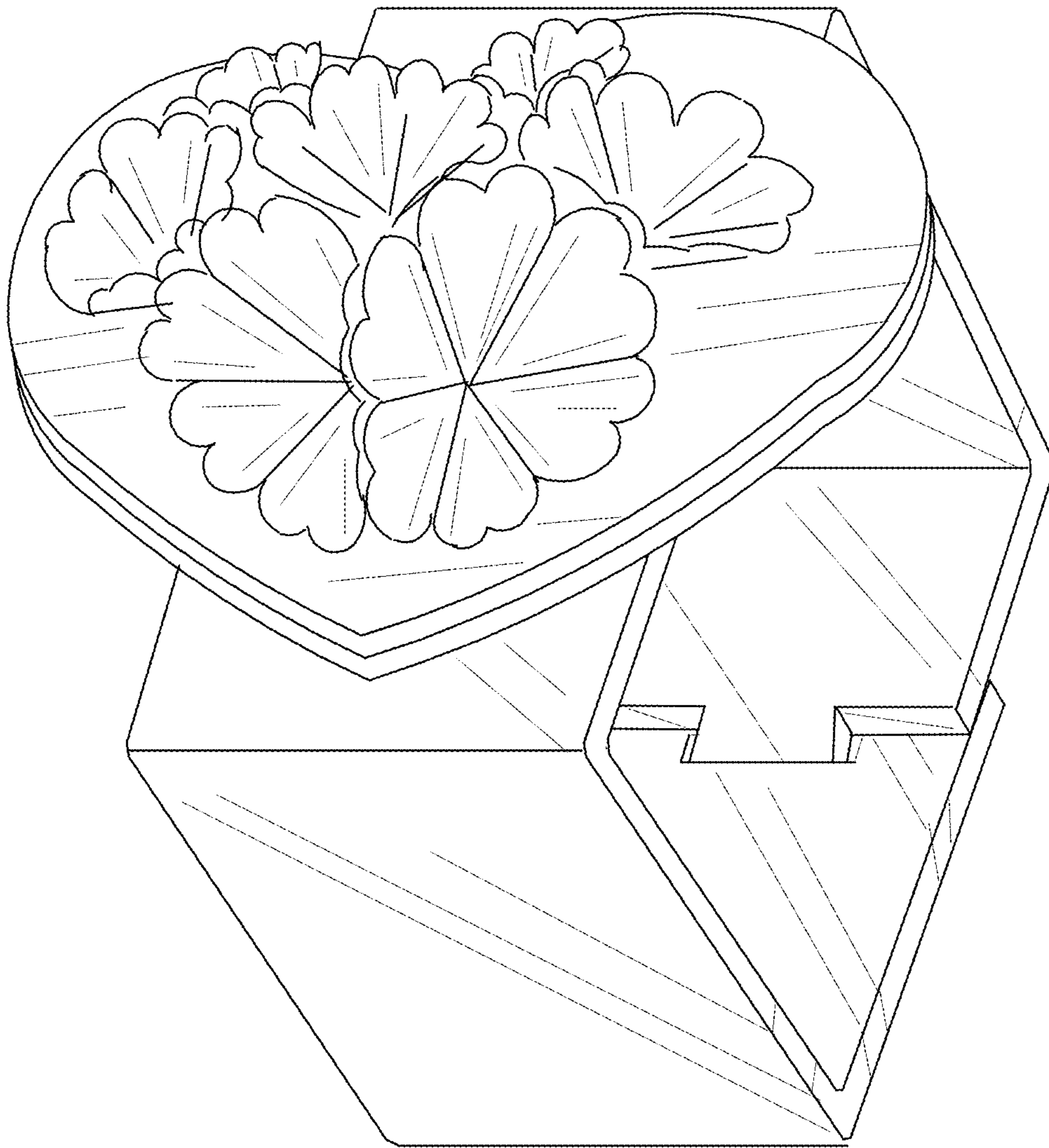


FIG. 1

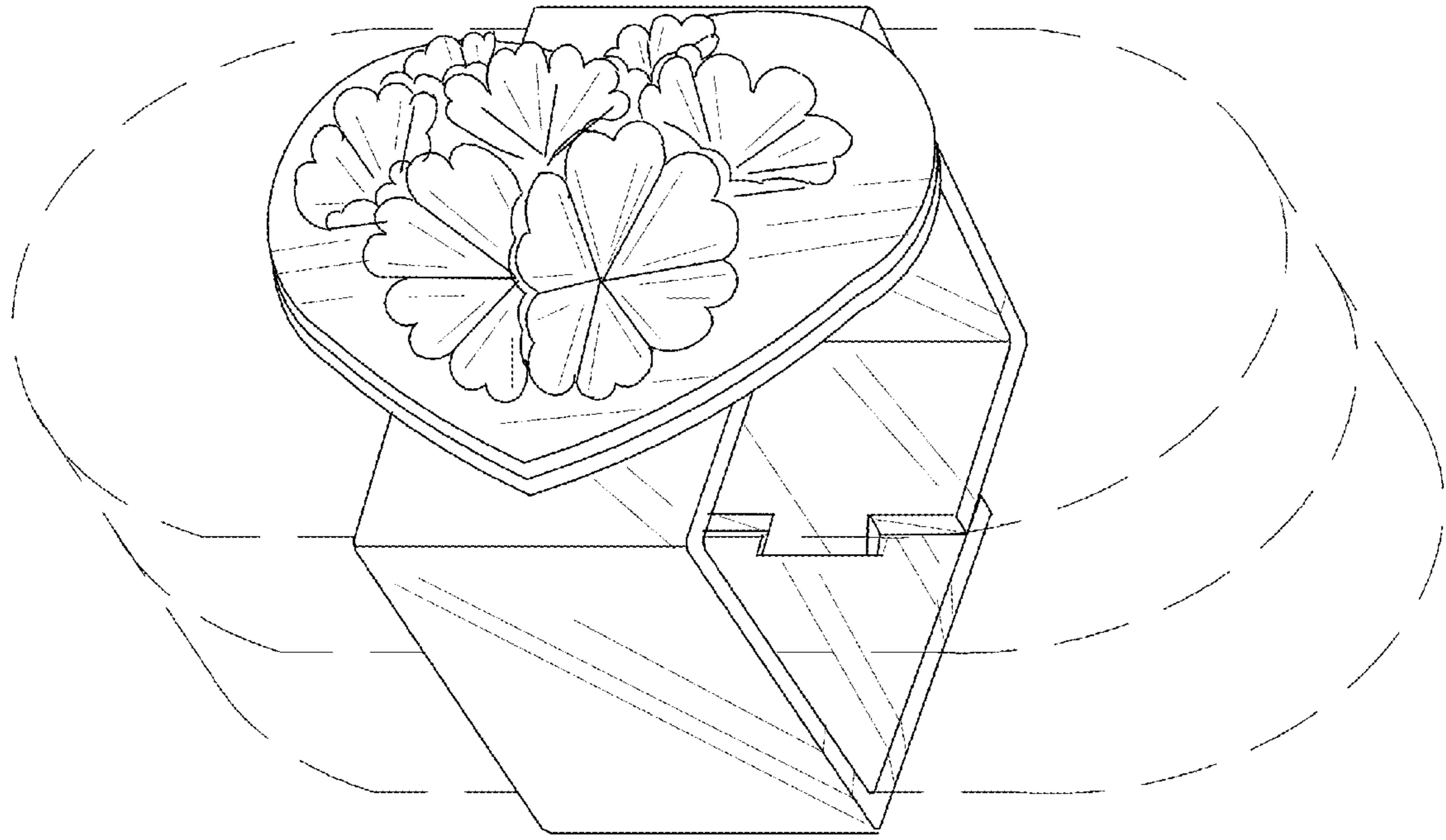


FIG. 2

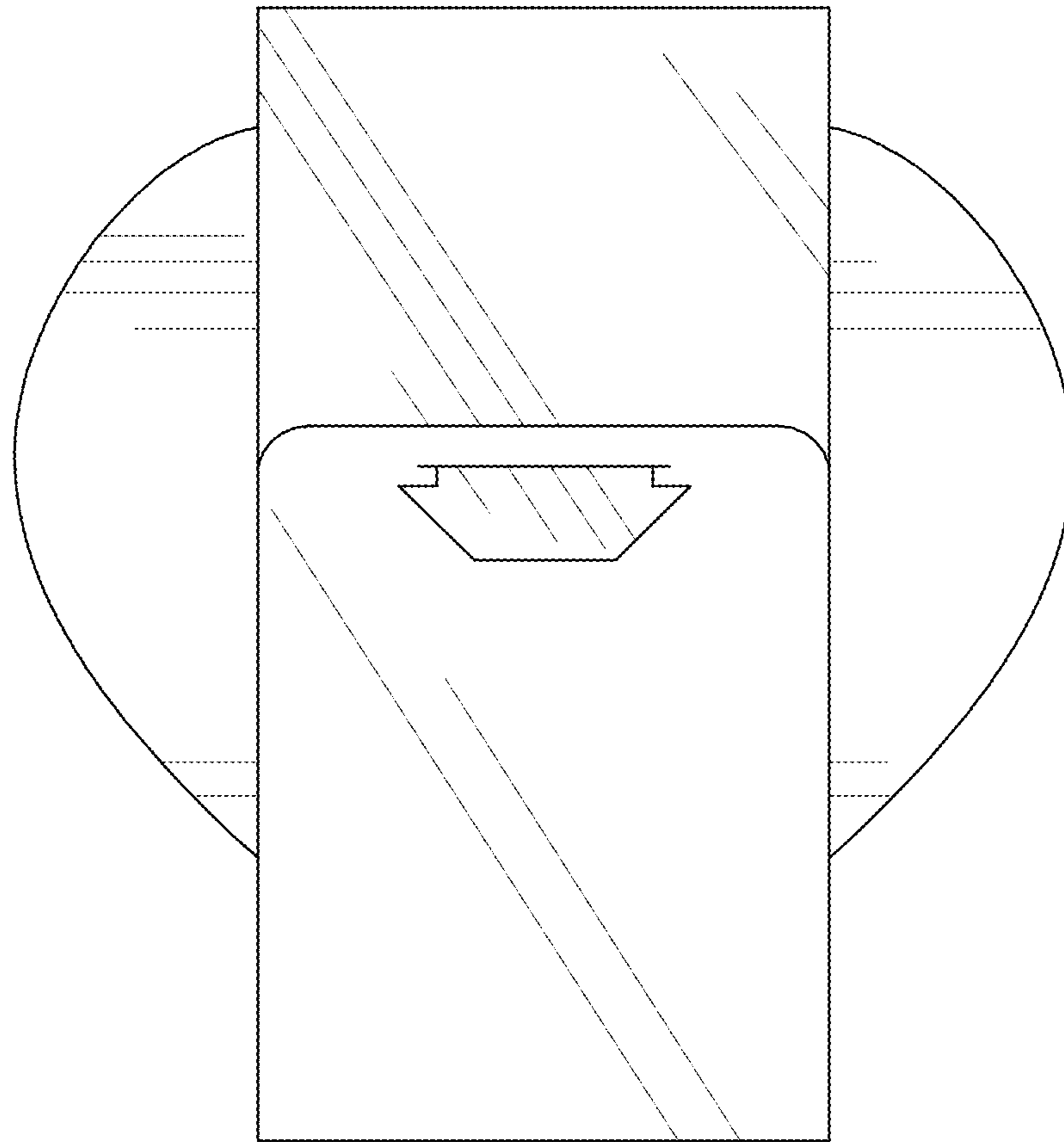


FIG. 3

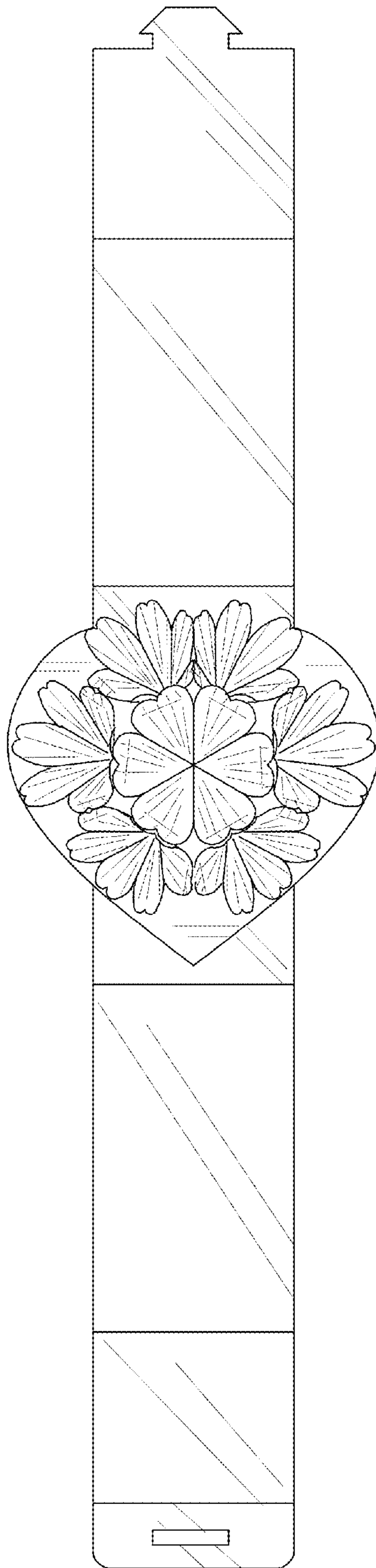


FIG. 4

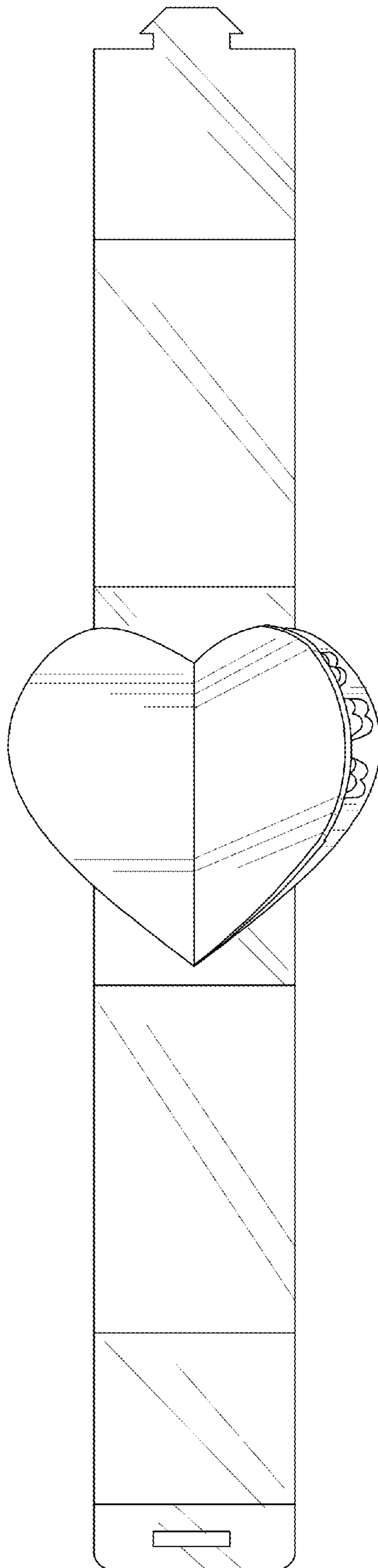


FIG. 5