



US00D696500S

(12) **United States Design Patent**  
**Hunt**

(10) **Patent No.:** **US D696,500 S**

(45) **Date of Patent:** **\*\* Dec. 31, 2013**

(54) **FOOTWEAR**

D332,516 S \* 1/1993 Middleton ..... D2/916  
D564,748 S \* 3/2008 Belley et al. .... D2/969

(71) Applicant: **Jodie Hunt**, London (GB)

\* cited by examiner

(72) Inventor: **Jodie Hunt**, London (GB)

*Primary Examiner* — Robert M Spear

(73) Assignee: **Lacoste Alligator S.A.**, Geneva (CH)

*Assistant Examiner* — Rashida C McCoy

(\*\*) Term: **14 Years**

(74) *Attorney, Agent, or Firm* — Fross Zelnick Lehrman & Zissu, P.C.; Charles T. J. Weigell, Esq.

(21) Appl. No.: **29/447,242**

(22) Filed: **Mar. 1, 2013**

(57) **CLAIM**

The ornamental design for footwear, as shown and described.

(30) **Foreign Application Priority Data**

Nov. 22, 2012 (EM) ..... 002140350-0002

**DESCRIPTION**

(51) **LOC (9) Cl.** ..... **02-04**

(52) **U.S. Cl.**  
USPC ..... **D2/916**

(58) **Field of Classification Search**  
USPC ..... D02/900, 916–919, 925, 946, 969, 974,  
D02/896; 36/45, 11.5, 3 A, 3 R, 7.5, 7.6, 88,  
36/43

See application file for complete search history.

FIG. 1 is a front perspective view of a shoe showing my footwear design;  
FIG. 2 is a front view of the footwear shown in FIG. 1;  
FIG. 3 is a rear view of the footwear shown in FIG. 1;  
FIG. 4 is a left side view of the footwear shown in FIG. 1;  
FIG. 5 is a right side view of the footwear shown in FIG. 1;  
FIG. 6 is a top view of the footwear shown in FIG. 1; and,  
FIG. 7 is a bottom view of the footwear shown in FIG. 1.

(56) **References Cited**

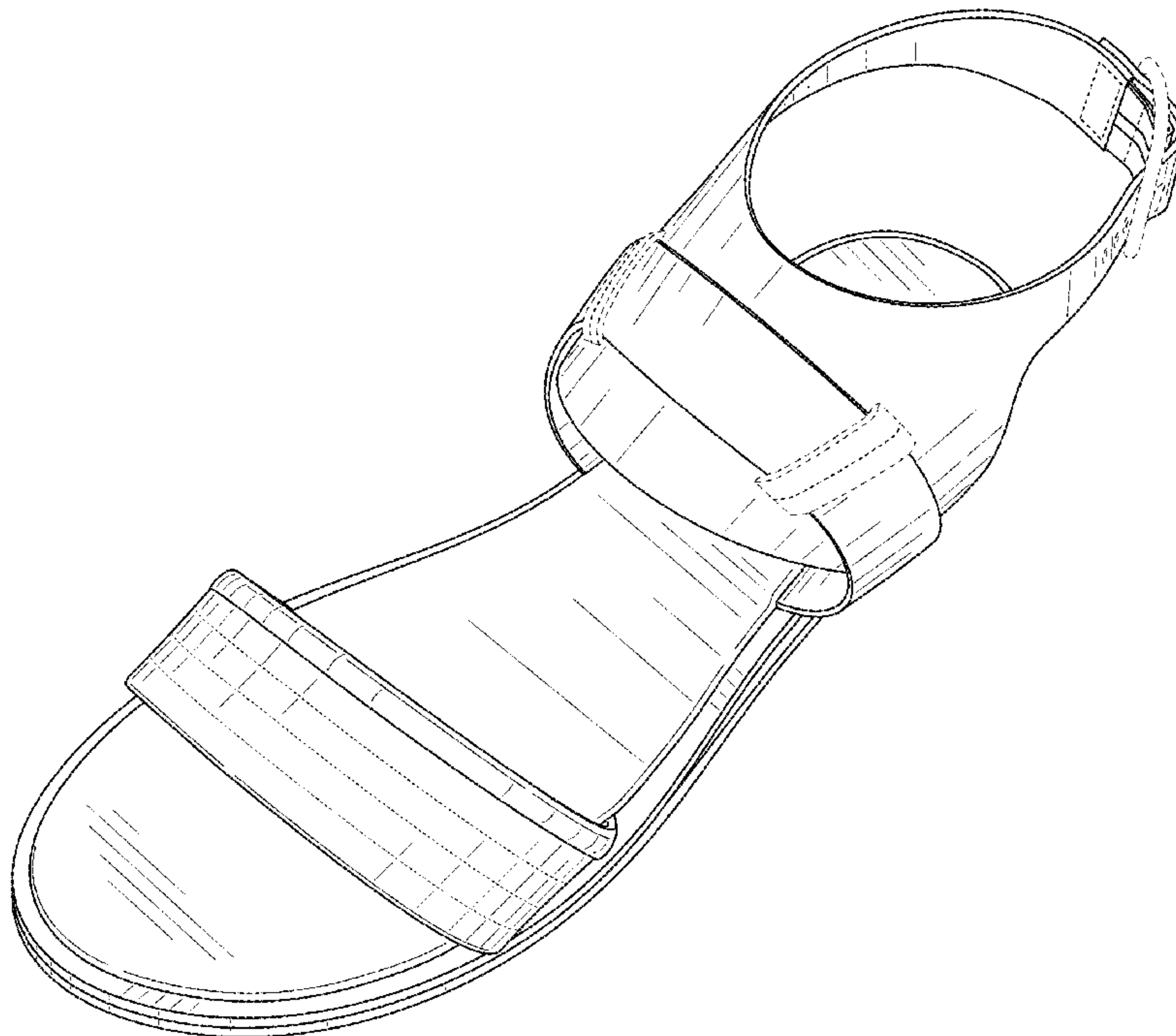
**U.S. PATENT DOCUMENTS**

D90,338 S \* 7/1933 Roberts ..... D2/918  
D250,297 S \* 11/1978 Anderson ..... D2/916  
D278,571 S \* 4/1985 Eber ..... D2/916  
D296,608 S \* 7/1988 Maciel ..... D2/916  
D306,930 S \* 4/1990 Combs ..... D2/916

The broken line showing of the strap loops, buckles holes and buckle arrangement represents environment only and forms no part of the claimed design.

The dotted lines other than those representing the straps loop, buckle holes and buckle arrangement are understood to represent stitching.

**1 Claim, 7 Drawing Sheets**



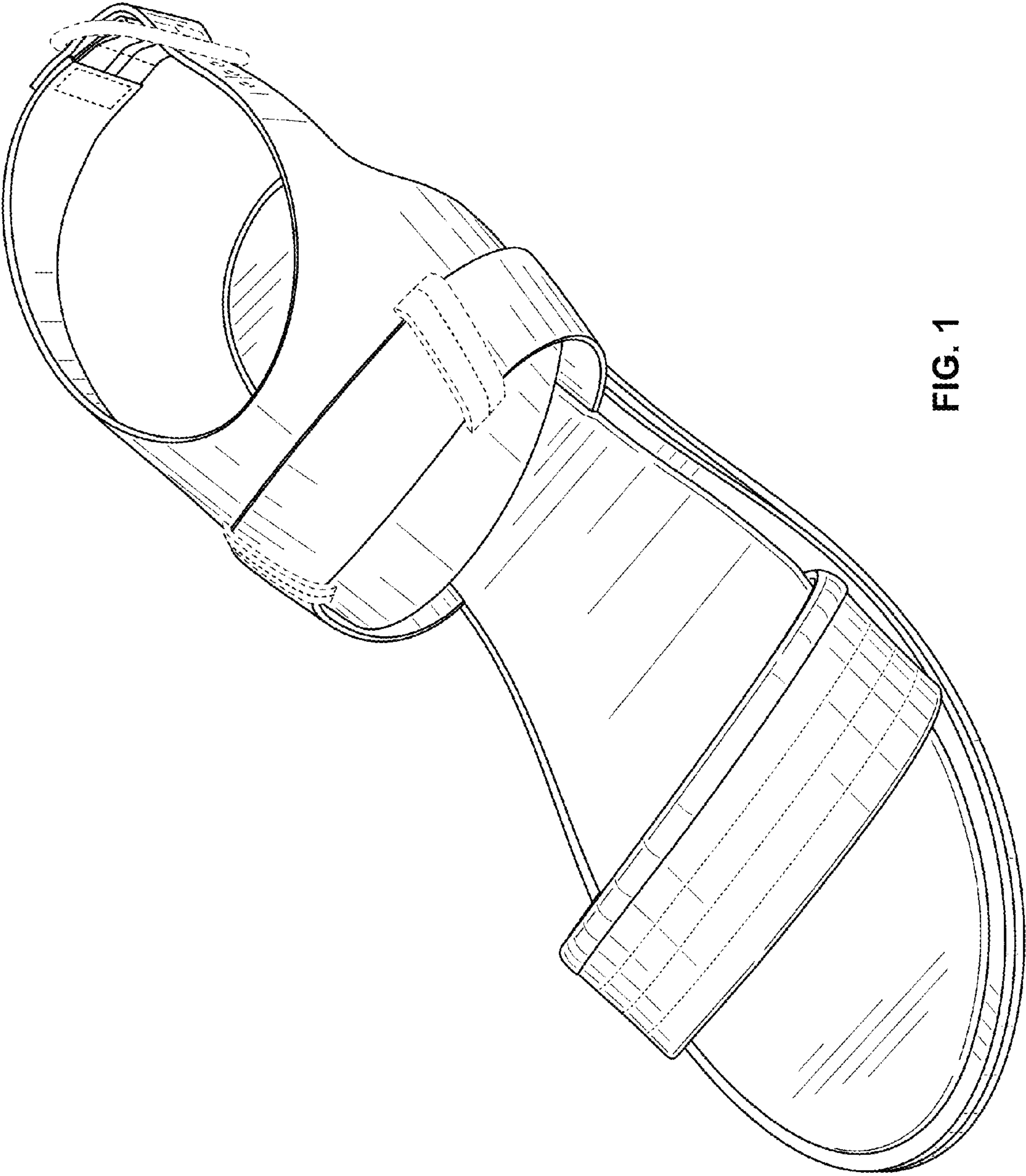


FIG. 1

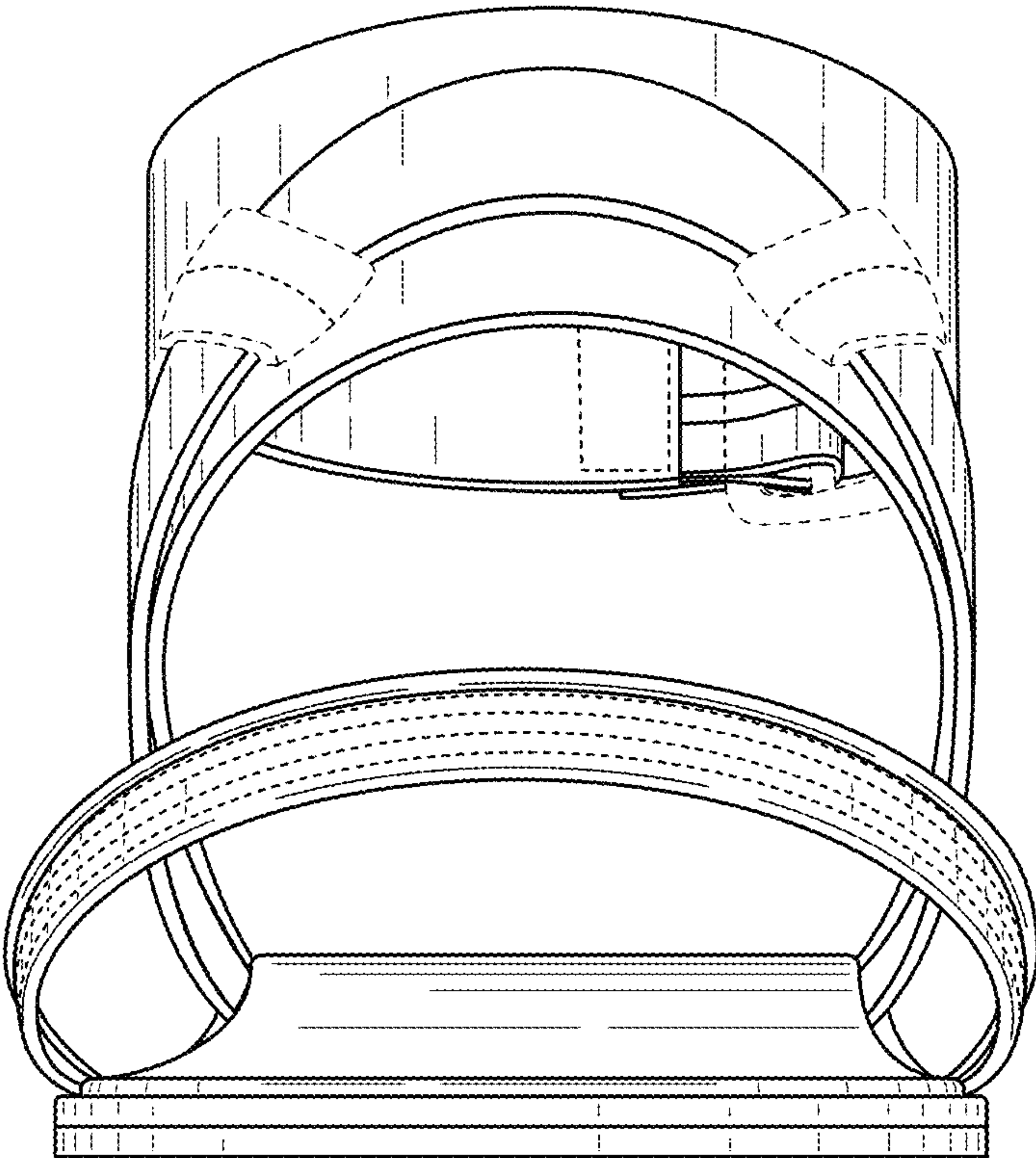


FIG. 2

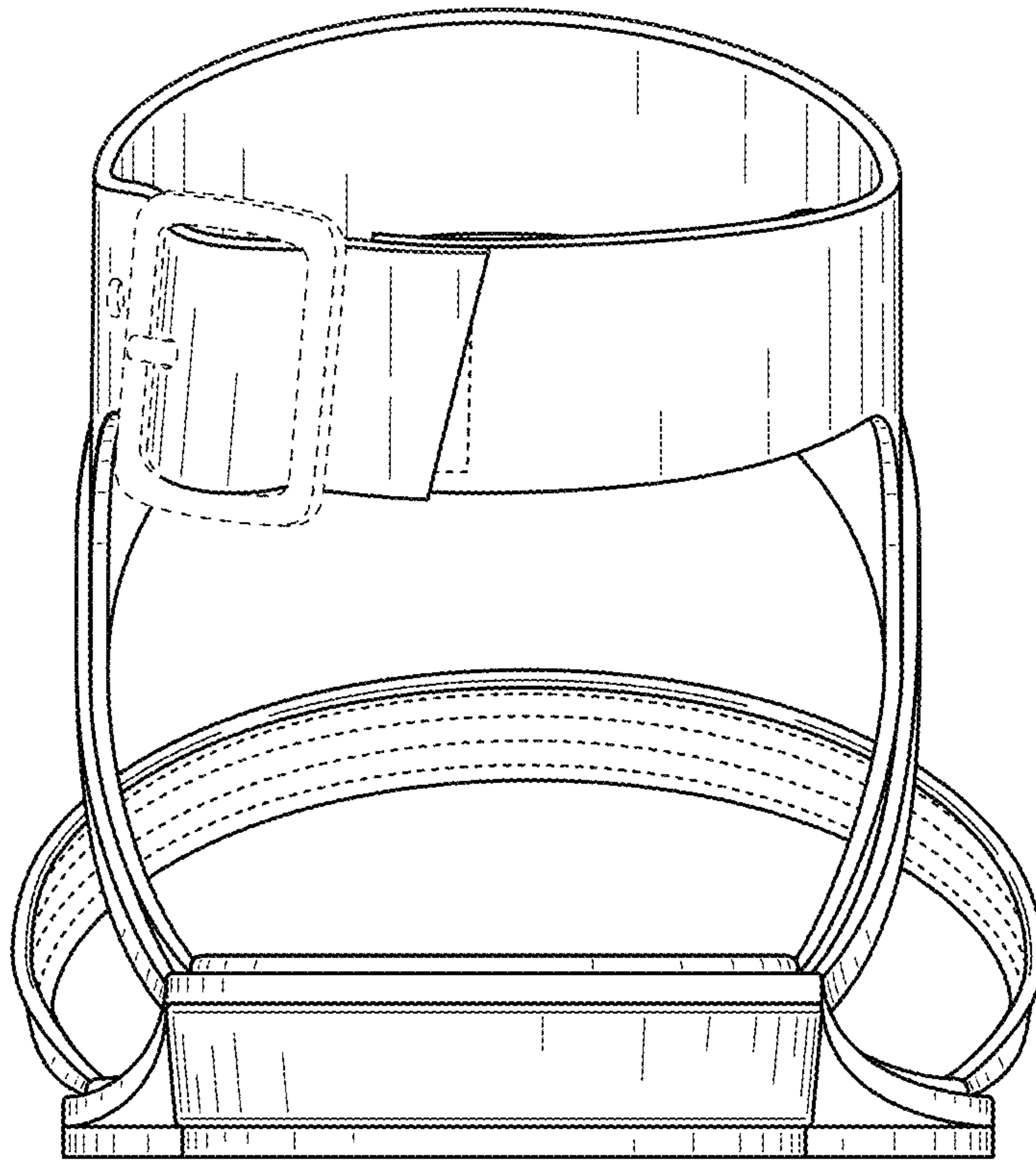


FIG. 3





FIG. 4

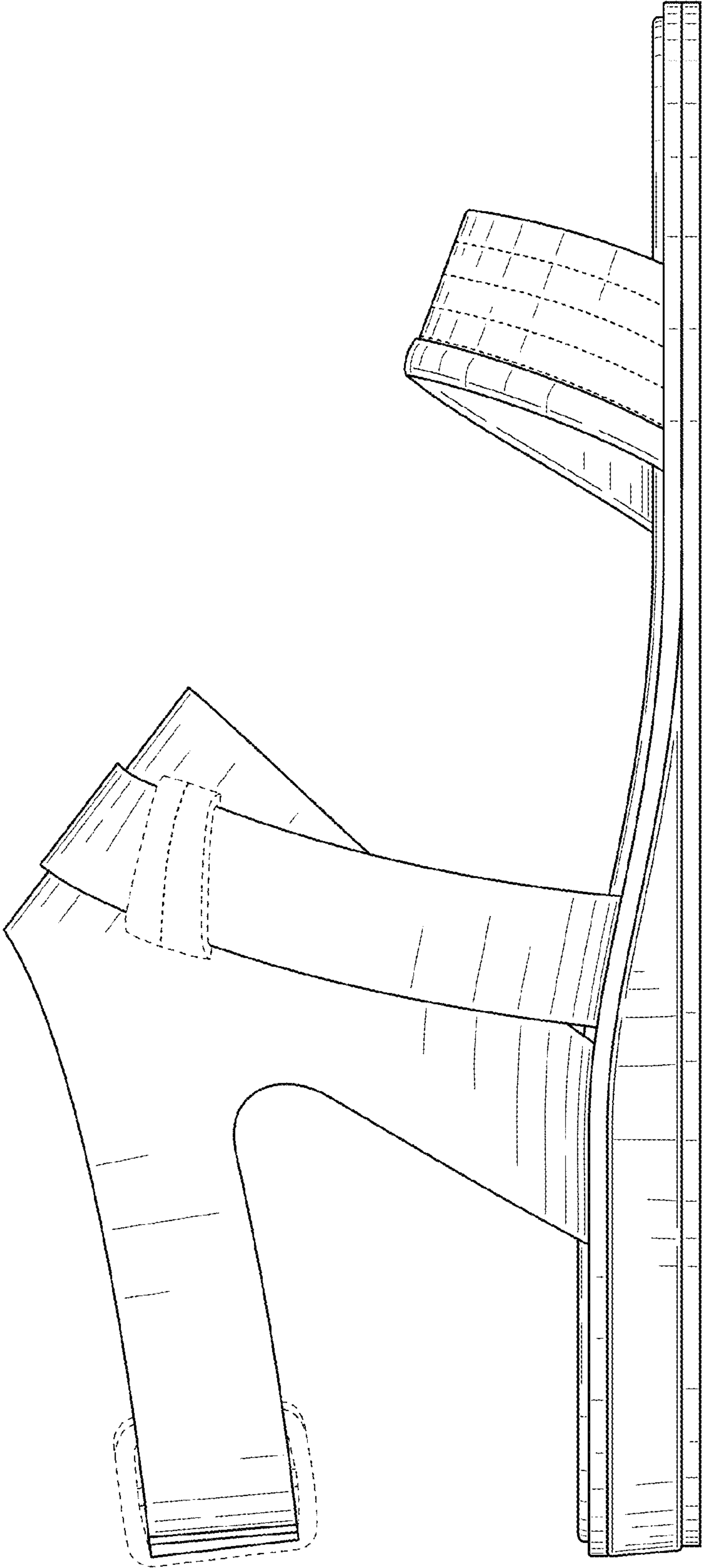


FIG. 5

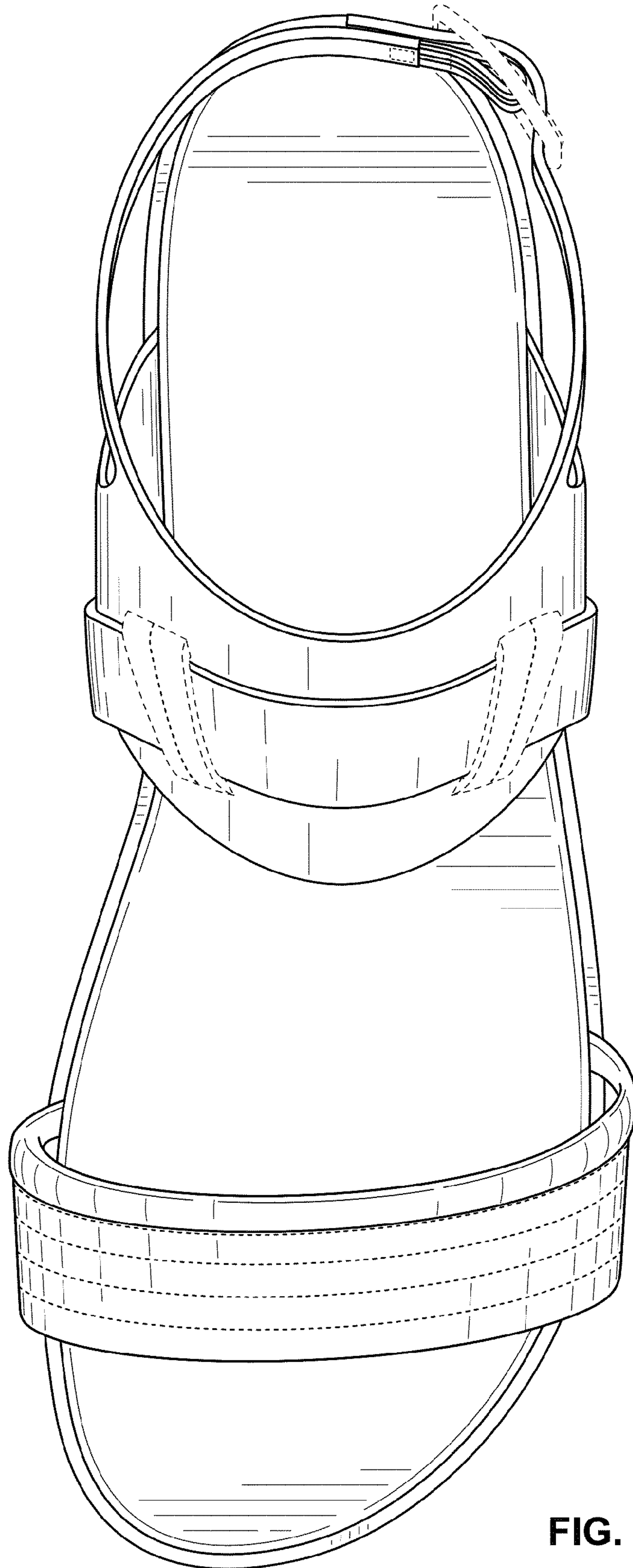


FIG. 6

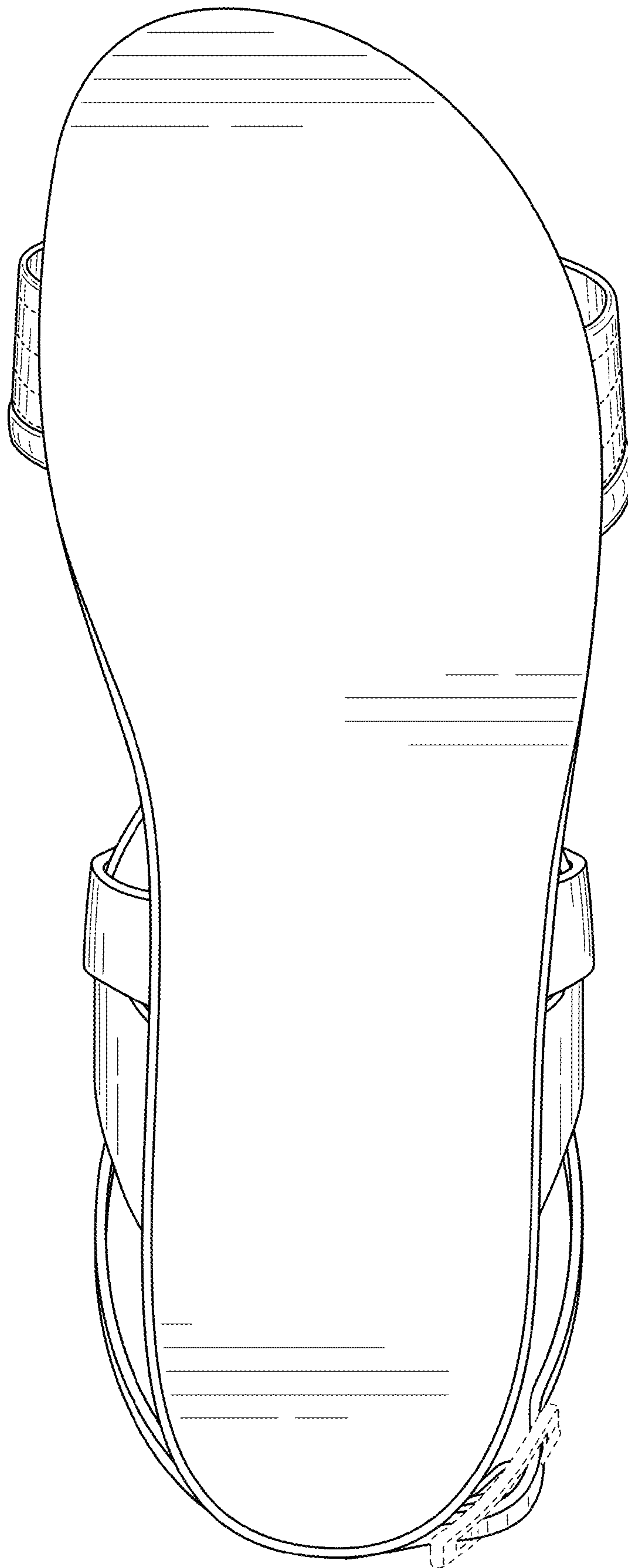


FIG. 7