



US00D696499S

(12) **United States Design Patent**
Lehtinen

(10) **Patent No.:** **US D696,499 S**

(45) **Date of Patent:** **** Dec. 31, 2013**

(54) **SHOE GUARD**

(56) **References Cited**

(71) Applicant: **Edwin Millard Lehtinen**, Belleville
(CA)

U.S. PATENT DOCUMENTS

(72) Inventor: **Edwin Millard Lehtinen**, Belleville
(CA)

3,006,086	A *	10/1961	Bird, Jr.	36/72 R
3,206,874	A *	9/1965	Ellis et al.	36/72 R
3,242,597	A *	3/1966	George et al.	36/72 R
3,470,630	A *	10/1969	Ott et al.	36/72 R
D291,621	S *	9/1987	Herman	D2/913
D299,884	S *	2/1989	Brown et al.	D2/974
5,457,898	A *	10/1995	Fortin et al.	36/72 R
D459,838	S *	7/2002	Parkins	D29/121.1
D555,291	S *	11/2007	Danzo	D29/121.2
7,305,776	B2 *	12/2007	Hess	36/72 R

(73) Assignee: **Impacto Protective Products Inc.**,
Belleville (CA)

(**) Term: **14 Years**

* cited by examiner

(21) Appl. No.: **29/421,963**

Primary Examiner — Robert M Spear

Assistant Examiner — Rashida C McCoy

(22) Filed: **Nov. 1, 2012**

(74) *Attorney, Agent, or Firm* — Gowling Lafleur
Henderson LLP

(30) **Foreign Application Priority Data**

Aug. 20, 2012 (CA) 147060

(51) **LOC (9) Cl.** **02-04**

(52) **U.S. Cl.**
USPC **D2/909**

(58) **Field of Classification Search**
USPC D2/896, 901, 909, 913, 974, 976;
D24/190, 192; 36/73, 112-114, 83, 87,
36/45, 2 R, 7.1 R, 7.2-7.4, 72 R, 77 R;
D28/121.2

See application file for complete search history.

(57) **CLAIM**

The ornamental design for a shoe guard, as shown and described.

DESCRIPTION

FIG. 1 is a right side perspective view of the shoe guard;
FIG. 2 is a side elevation taken from the right in FIG. 1;
FIG. 3 is a top plan view thereof;
FIG. 4 is a side elevation taken from the left in FIG. 1;
FIG. 5 is a bottom plan view thereof;
FIG. 6 is a front elevation view thereof; and,
FIG. 7 is a rear elevation thereof.

1 Claim, 4 Drawing Sheets

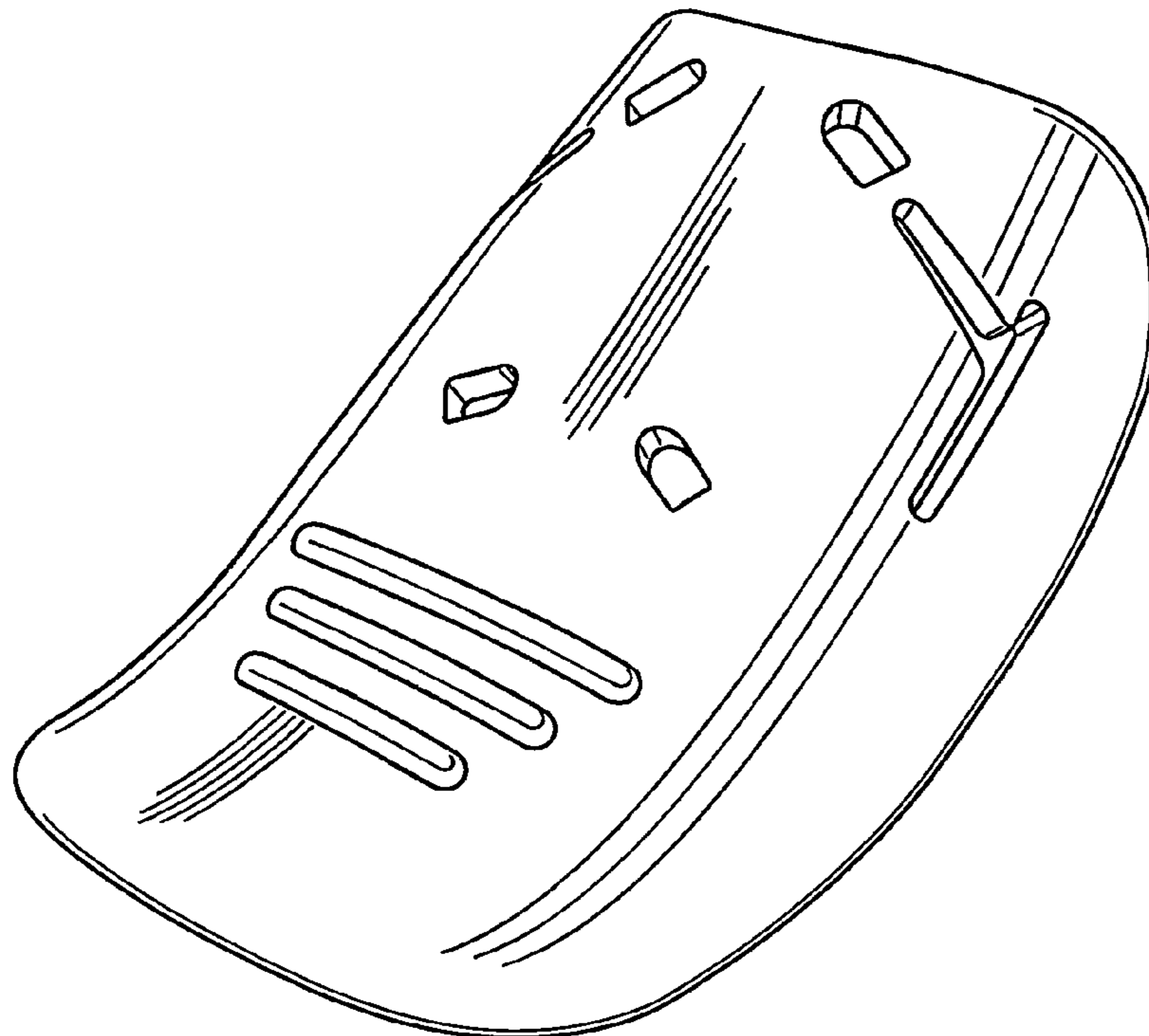


Fig.1

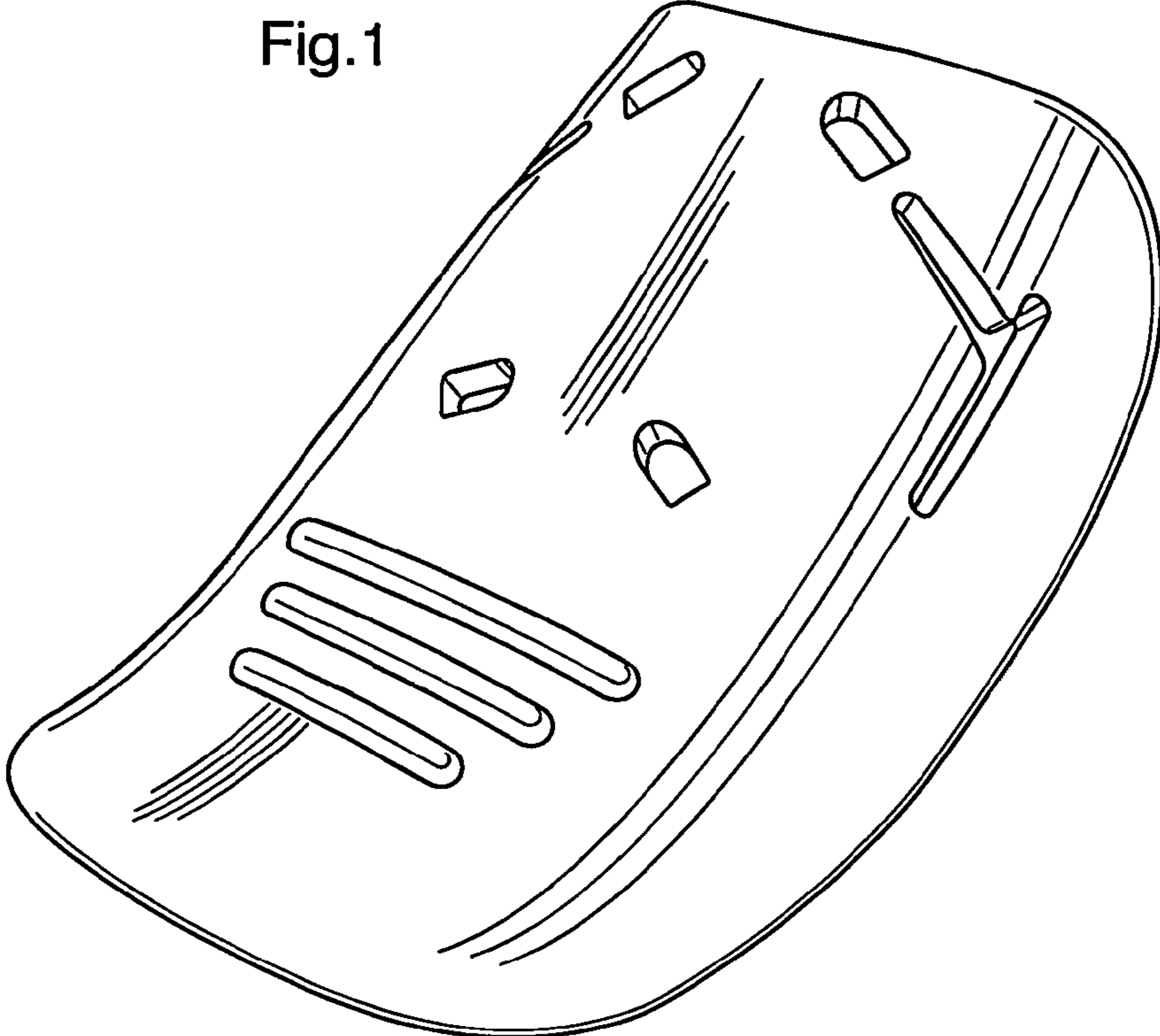


Fig.2

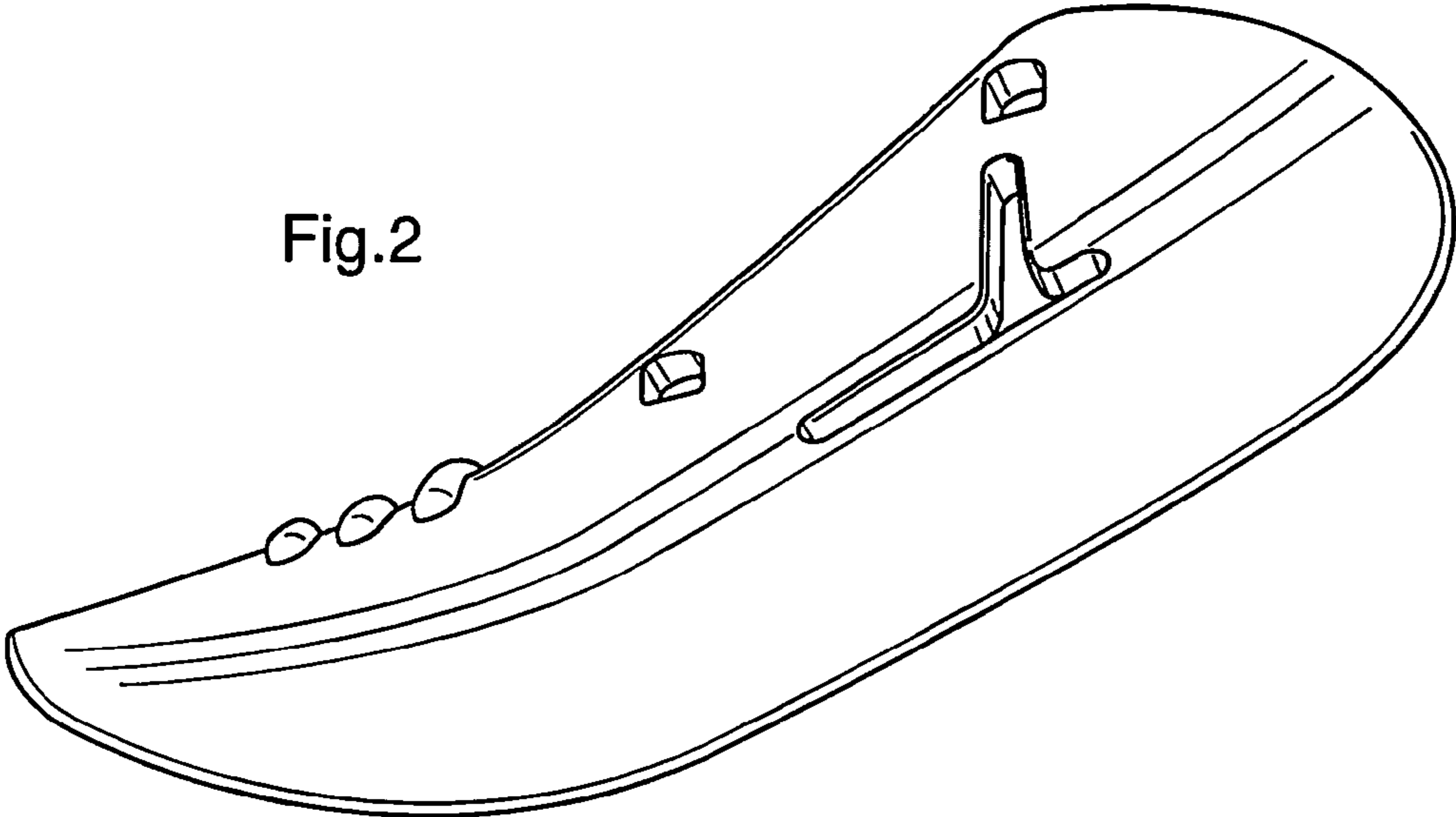


Fig.3

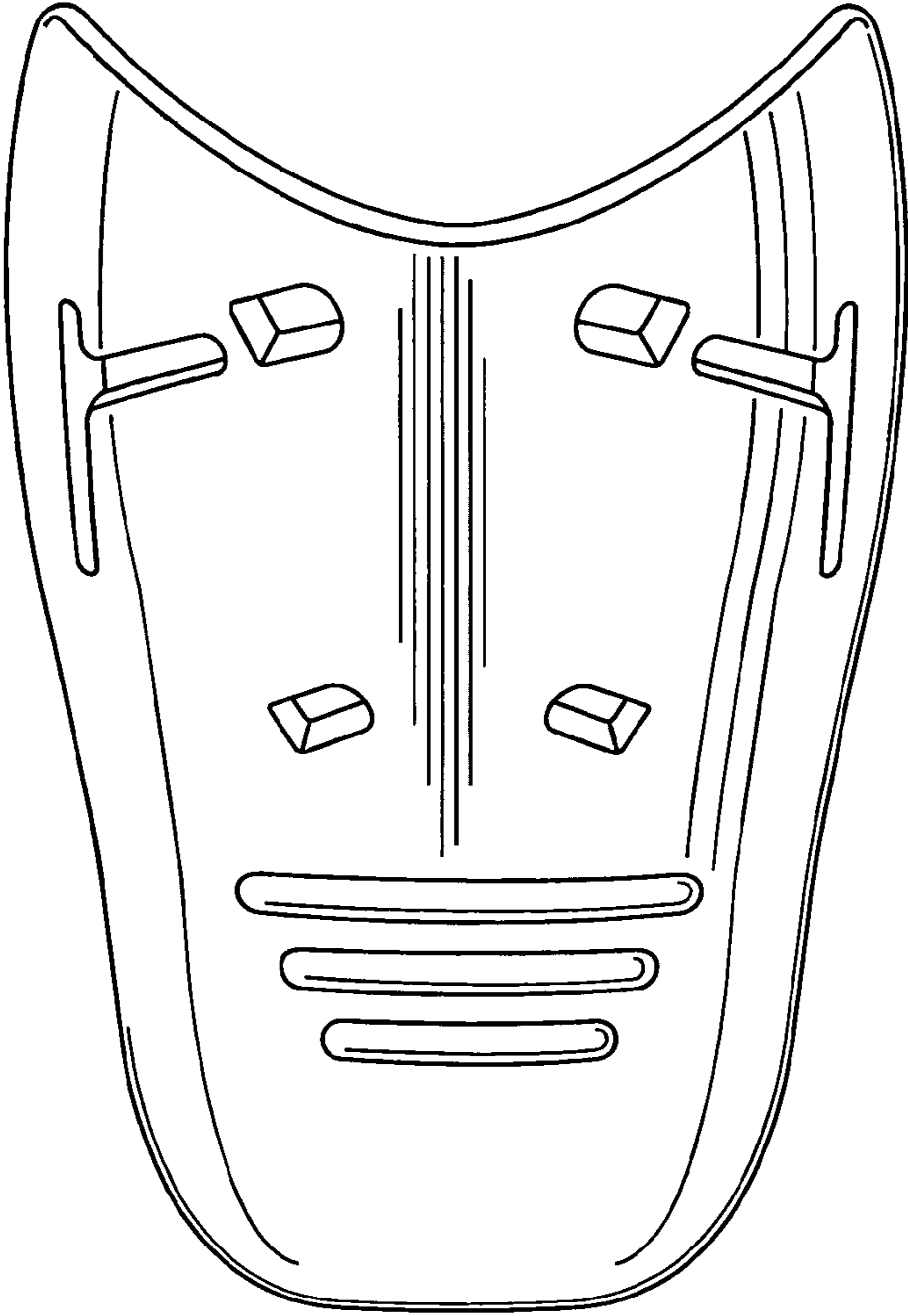


Fig.4

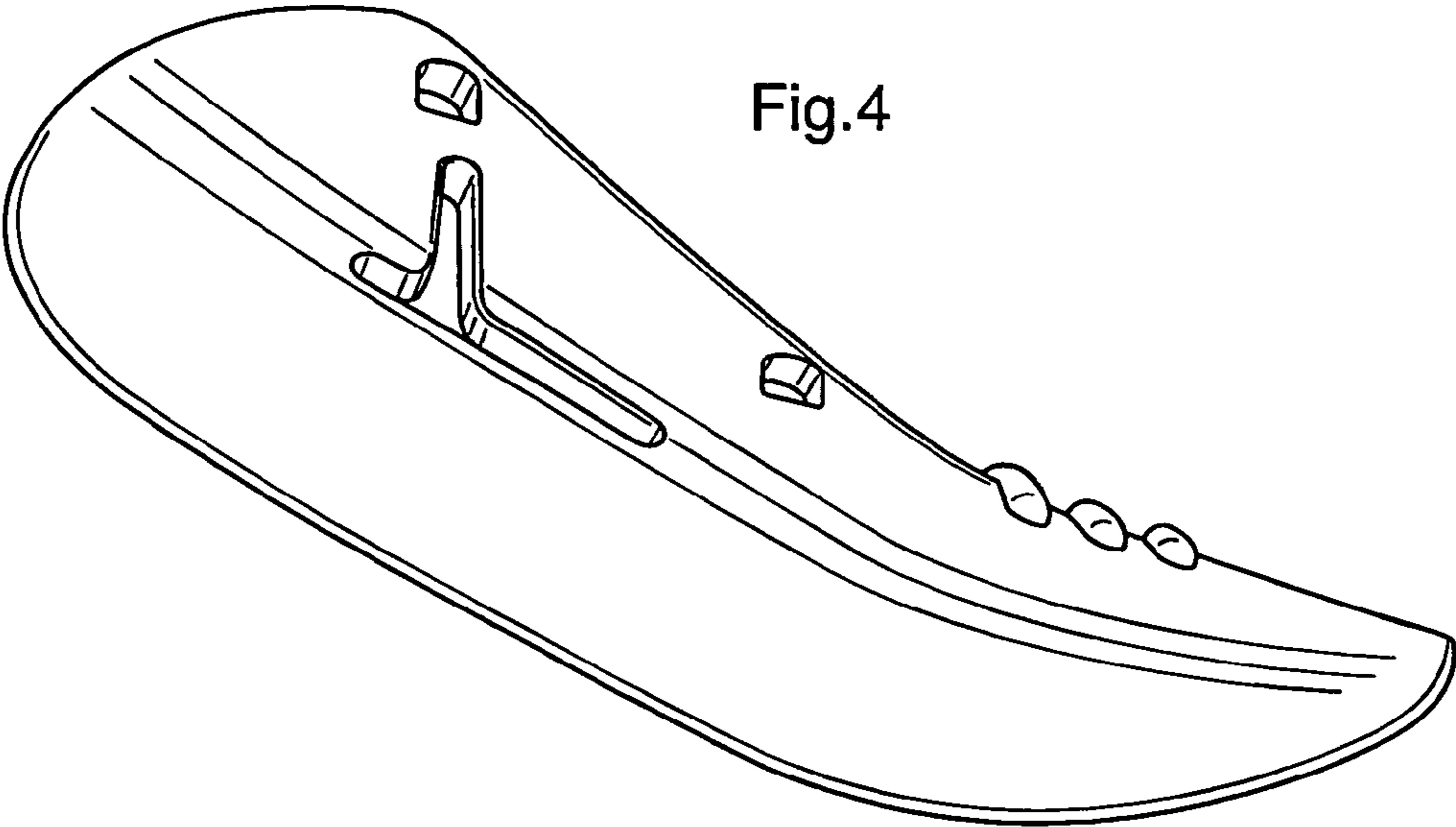


Fig.5

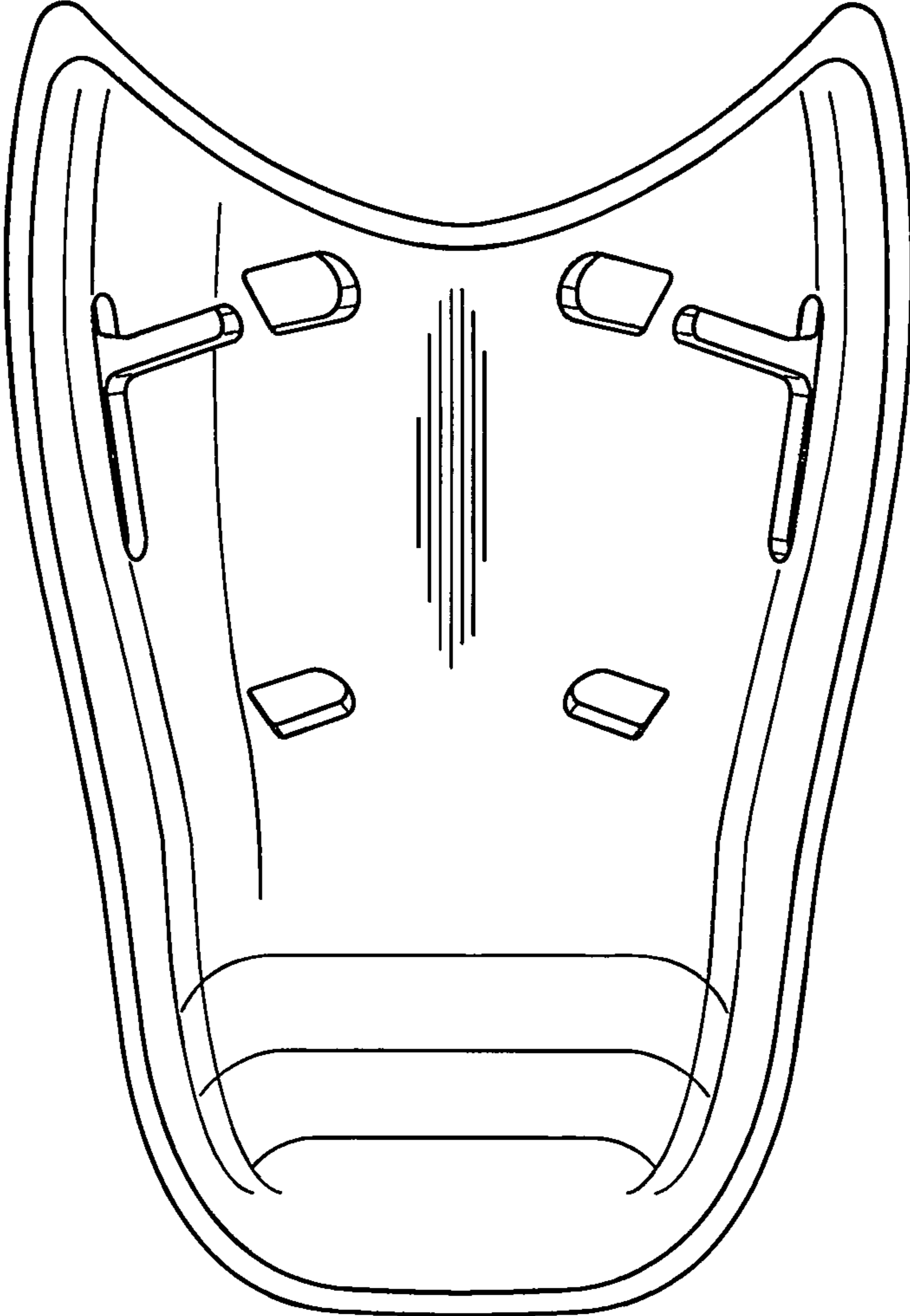


Fig.6

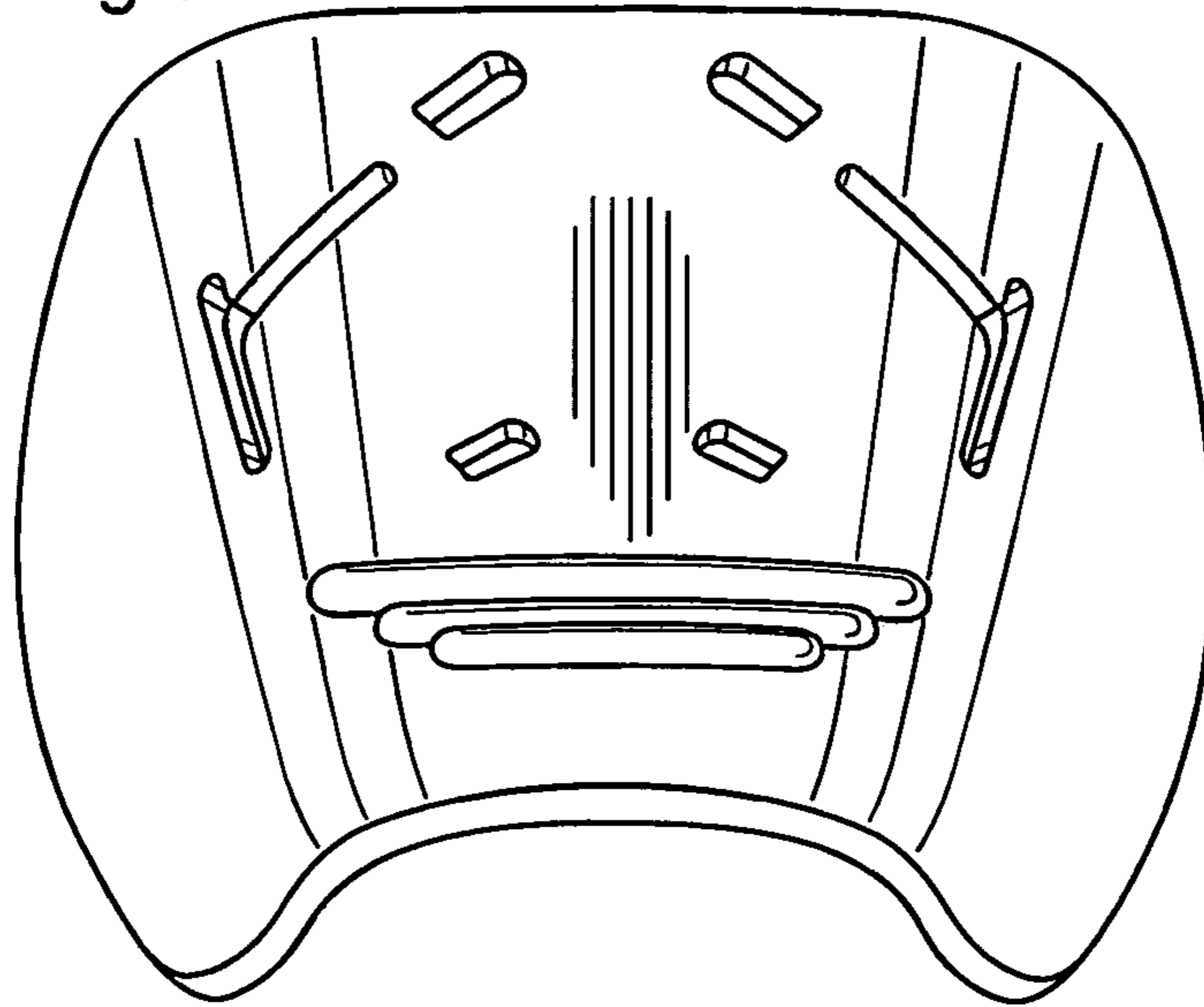


Fig.7

