

US00D696493S

(12) **United States Design Patent**
Wilson

(10) **Patent No.:** **US D696,493 S**
(45) **Date of Patent:** **** Dec. 31, 2013**

- (54) **AMERICAN FLAG NOVELTY HEADWEAR**
- (71) Applicant: **Gregg Wilson**, San Antonio, TX (US)
- (72) Inventor: **Gregg Wilson**, San Antonio, TX (US)
- (73) Assignee: **Wreckin' Ball Helmets, LLC**, Dallas, TX (US)
- (**) Term: **14 Years**
- (21) Appl. No.: **29/458,887**
- (22) Filed: **Jun. 24, 2013**

Related U.S. Application Data

- (63) Continuation-in-part of application No. 29/428,787, filed on Aug. 3, 2012, now Pat. No. Des. 686,394, and a continuation-in-part of application No. 29/428,806, filed on Aug. 3, 2012, now Pat. No. Des. 686,395, and a continuation-in-part of application No. 29/450,523, filed on Mar. 19, 2013, and a continuation-in-part of application No. 29/450,532, filed on Mar. 19, 2013, and a continuation-in-part of application No. 29/450,541, filed on Mar. 19, 2013.
 - (51) **LOC (9) Cl.** **02-03**
 - (52) **U.S. Cl.**
USPC **D2/870**
 - (58) **Field of Classification Search**
USPC D2/865, 866, 868, 869, 870, 871, 872, D2/873, 874, 878, 879, 880, 881, 882, 886, D2/887, 888, 889, 890; D11/121, 125, D11/167, 180; D21/708; D29/102, 103, D29/104, 105, 106, 107, 108, 109, 110; 2/68, 171, 410, 411, 425
- See application file for complete search history.

(56) **References Cited**

U.S. PATENT DOCUMENTS

D1,421 S * 5/1861 Hawley D2/873
D30,378 S * 3/1899 Foulis et al. D21/708

(Continued)

FOREIGN PATENT DOCUMENTS

FR 963276-051 * 10/1996
WO WO D031072-002 * 12/1994
WO WO D033013-001 * 7/1995

OTHER PUBLICATIONS

Captain America German Novelty Helmet [on-line]; posted to the Internet on Apr. 25, 2012; retrieved from the Internet on Sep. 6, 2013; URL: ><http://web.archive.org/web/20120425211246/http://www.noveltyhelmetshop.com/german-novelty-helmets/><. (2 pages).*

(Continued)

Primary Examiner — Karen E Eldridge Powers
(74) *Attorney, Agent, or Firm* — Gunn, Lee & Cave, P.C.; Robert L. McRae

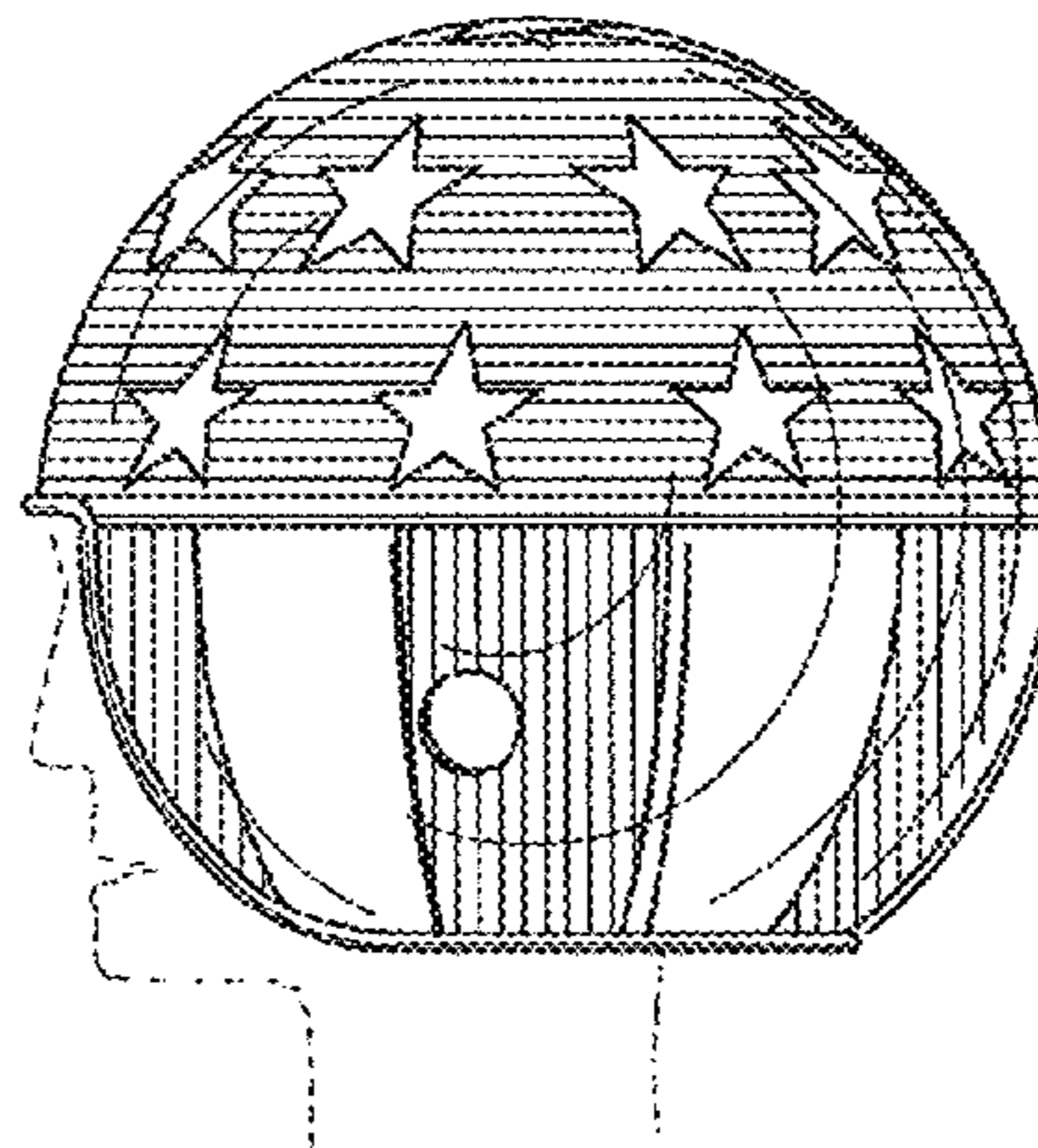
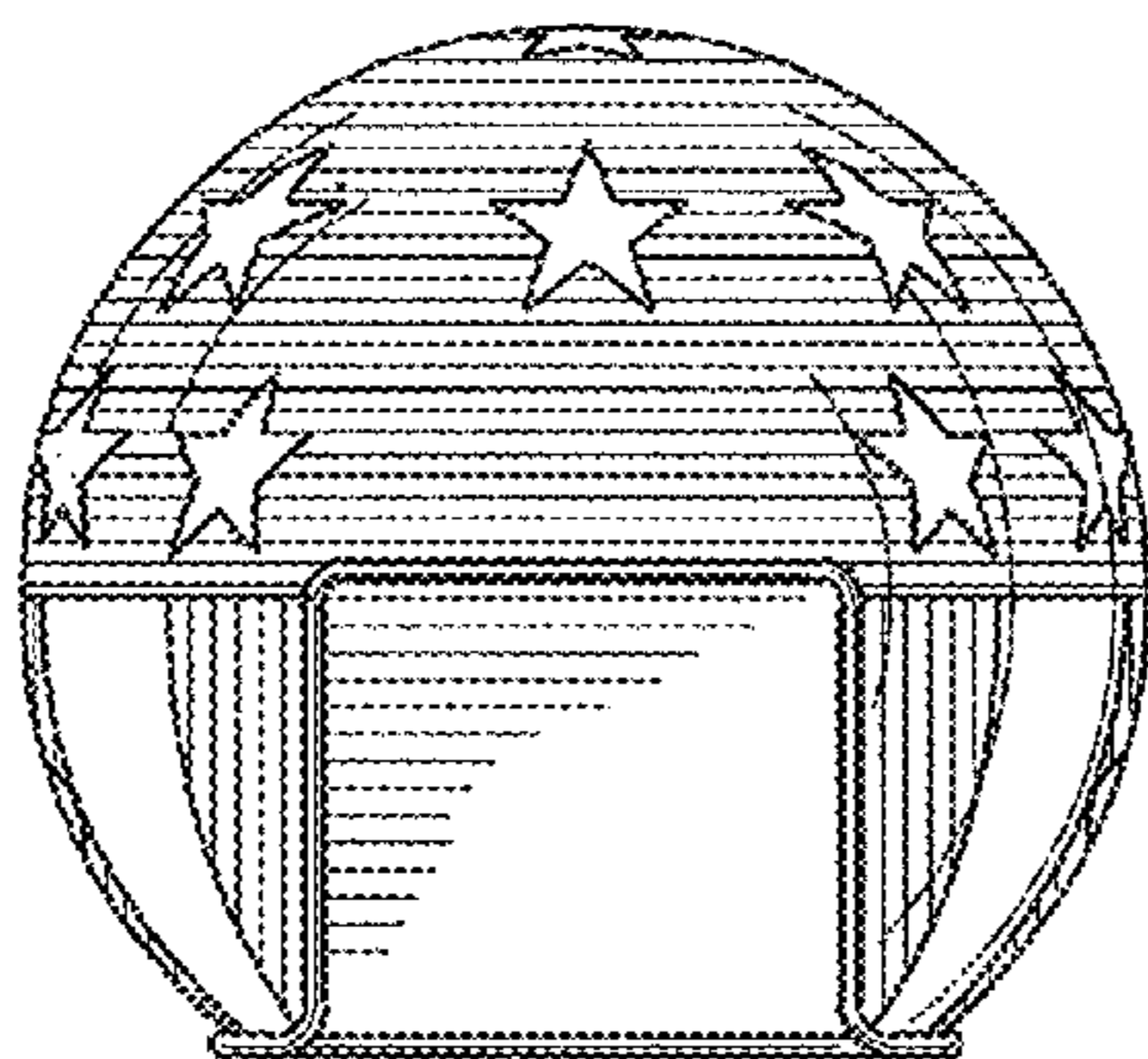
(57) **CLAIM**

I claim the ornamental design for an American flag novelty headwear, as shown and described.

DESCRIPTION

FIG. 1 is a front elevation view of the American flag novelty headwear showing my new design.
FIG. 2 is a top plan view of the design of FIG. 1.
FIG. 3 is a left side elevation view of the design of FIG. 1.
FIG. 4 is a rear elevation view of the design of FIG. 1.
FIG. 5 is a right side elevation view of the design of FIG. 1; and,
FIG. 6 is a bottom plan view of the design of FIG. 1.
The drawings are lined for the colors blue and red. The broken lines in FIG. 3 form no part of the claimed design.

1 Claim, 2 Drawing Sheets



(56)

References Cited

U.S. PATENT DOCUMENTS

D52,147 S * 7/1918 Rice D2/869
 D52,789 S * 12/1918 Gillette D11/168
 D56,123 S * 8/1920 Forbes D2/867
 3,259,912 A * 7/1966 Lima et al. 2/68
 D234,728 S * 4/1975 Annis D3/270
 D290,632 S * 6/1987 Dehnert et al. D21/714
 5,343,569 A * 9/1994 Asare et al. 2/412
 D369,015 S * 4/1996 Griffin, Jr. D2/869
 D396,942 S * 8/1998 Toscani D2/882
 D457,712 S * 5/2002 Glaser D2/869
 D459,860 S * 7/2002 Bussell D2/869
 D478,204 S * 8/2003 Cortez et al. D2/870
 D549,032 S * 8/2007 Goudeau D6/610

D634,516 S * 3/2011 Wilson D2/870
 8,317,121 B2 * 11/2012 Tracey 242/398
 D672,533 S * 12/2012 Wilson D2/870
 D683,108 S * 5/2013 Wilson D2/870
 D686,394 S * 7/2013 Wilson D2/870
 D686,395 S * 7/2013 Wilson D2/870
 2006/0021117 A1 * 2/2006 Madonia 2/422

OTHER PUBLICATIONS

Motorcycle helmet with American flag motif [on-line]; included in article "How Much Does a Motorcycle Crash Cost?" Posted on the Internet Nov. 29, 2012; retrieved from the Internet on Sep. 6, 2013. URL: ><http://www.asphaltandrubber.com/oped/motorcycle-crash-cost/>. (2 pages).*

* cited by examiner

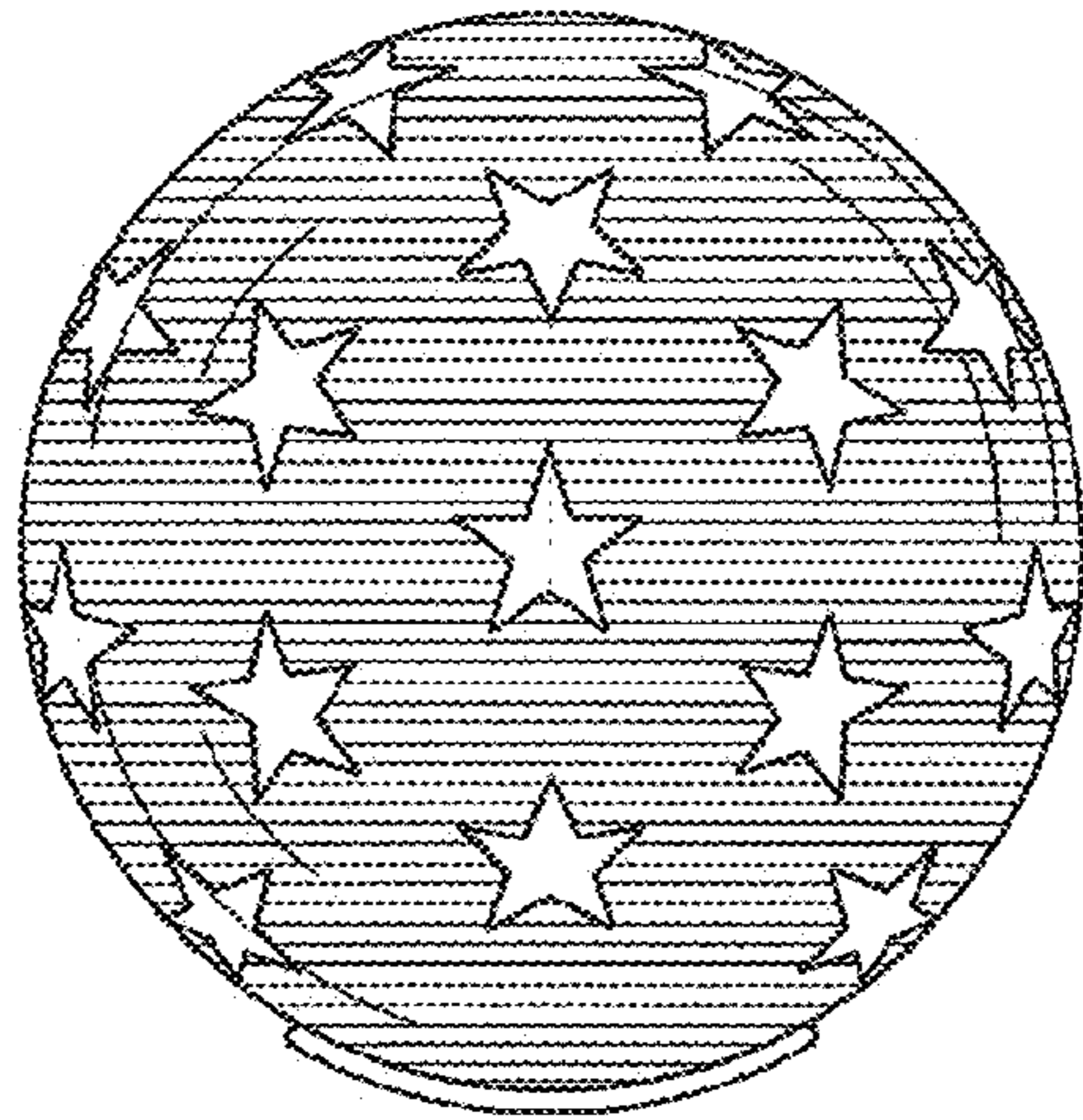


Fig. 2

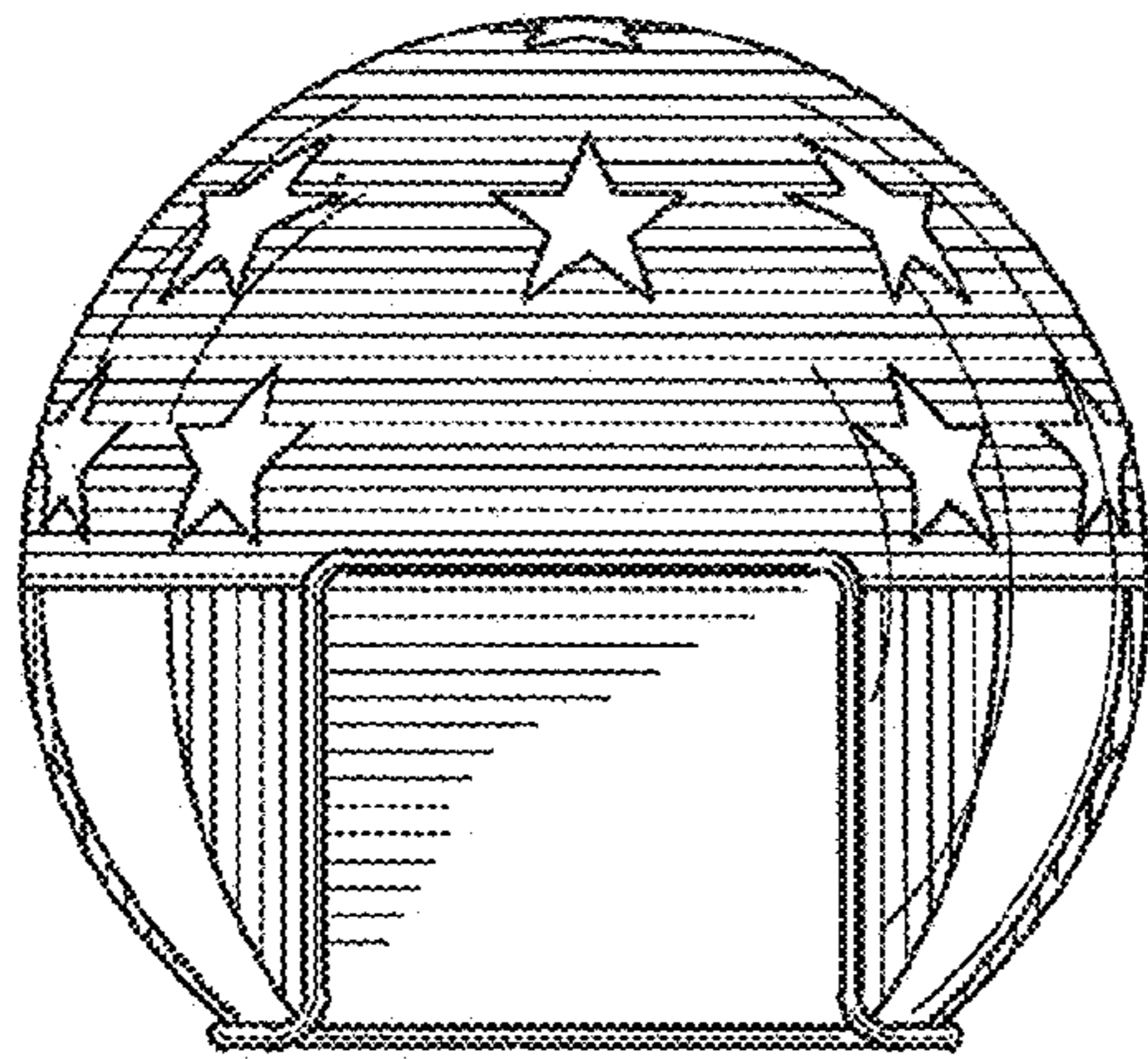


Fig. 1

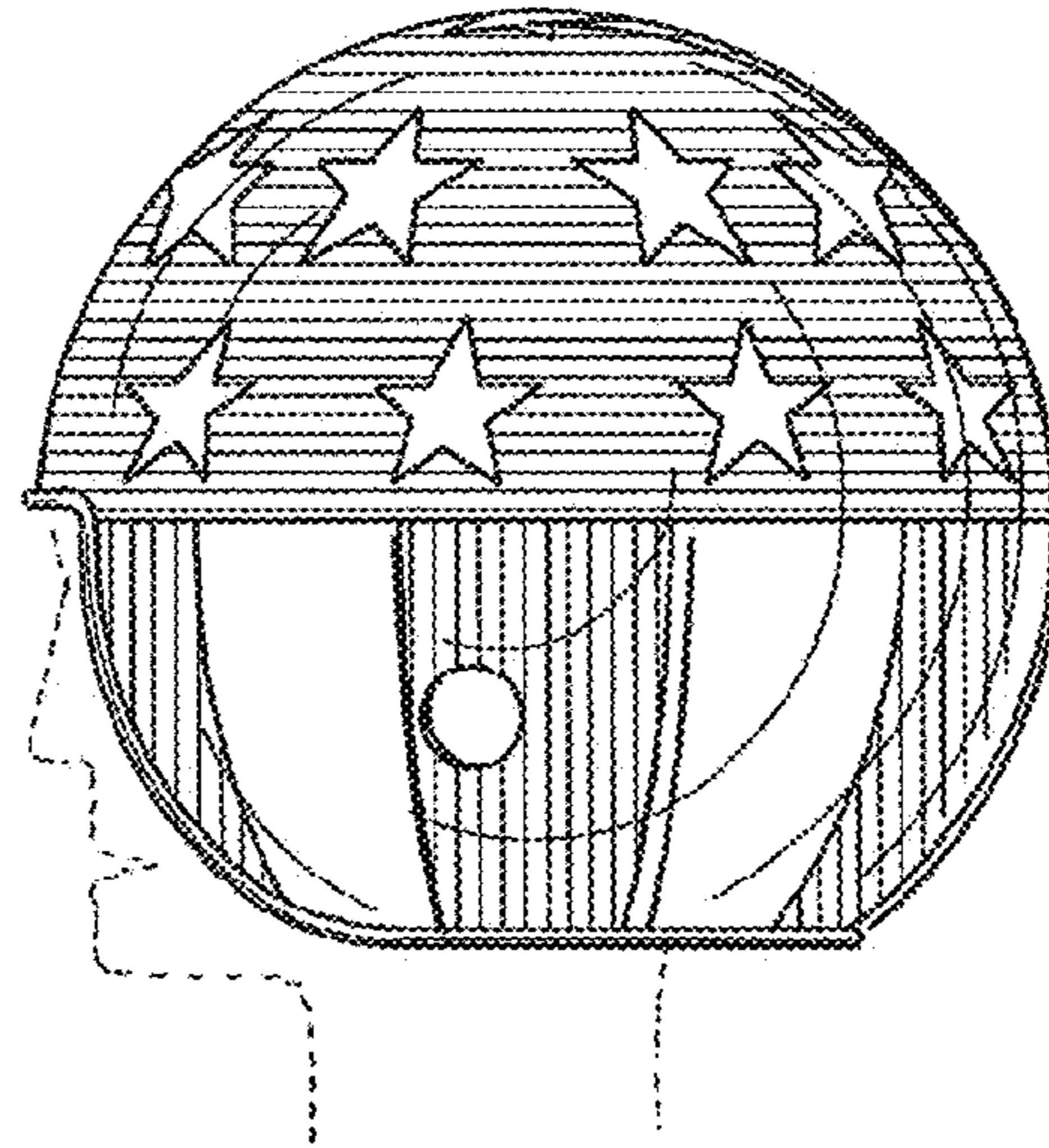


Fig. 3

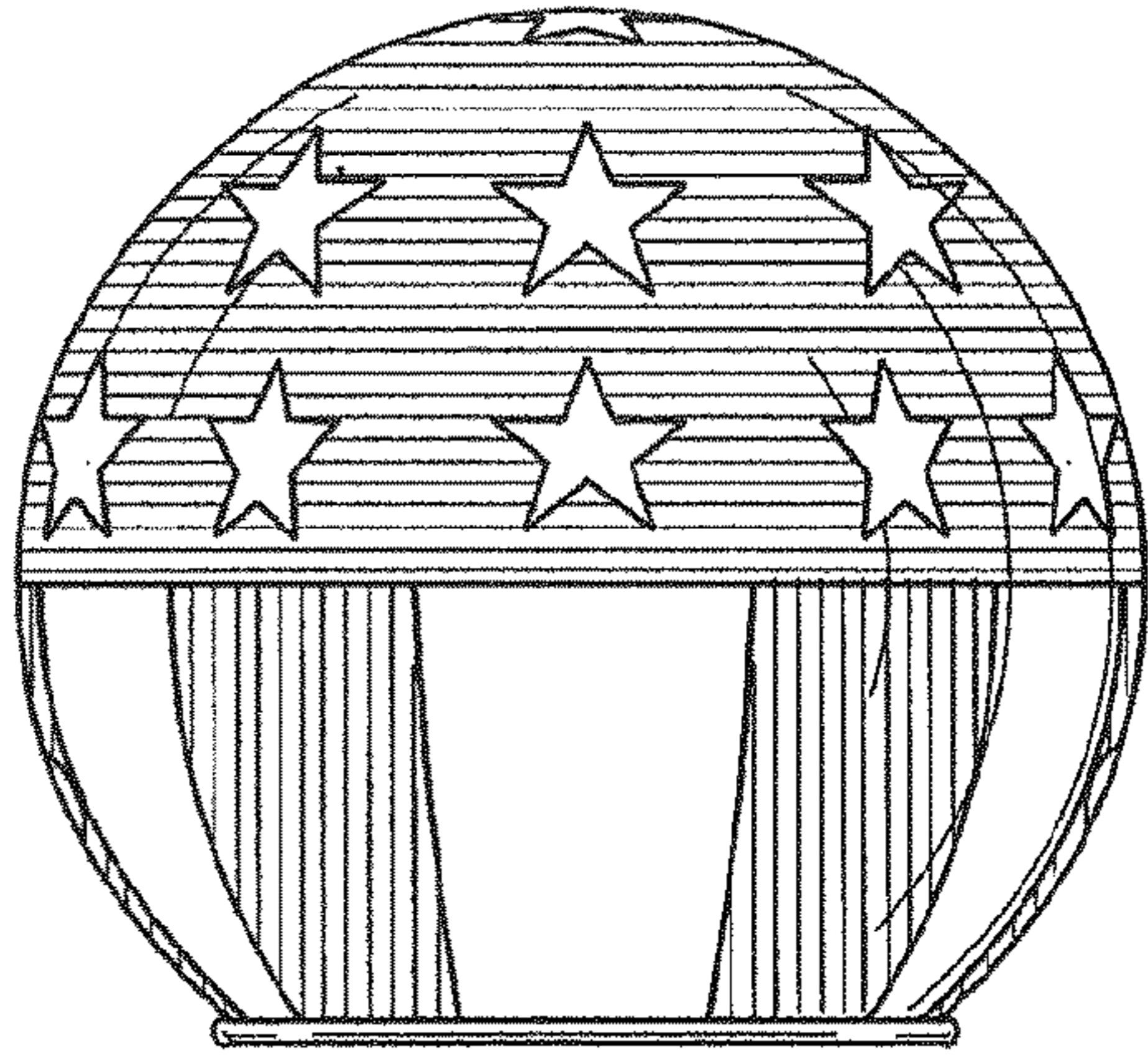


Fig. 4

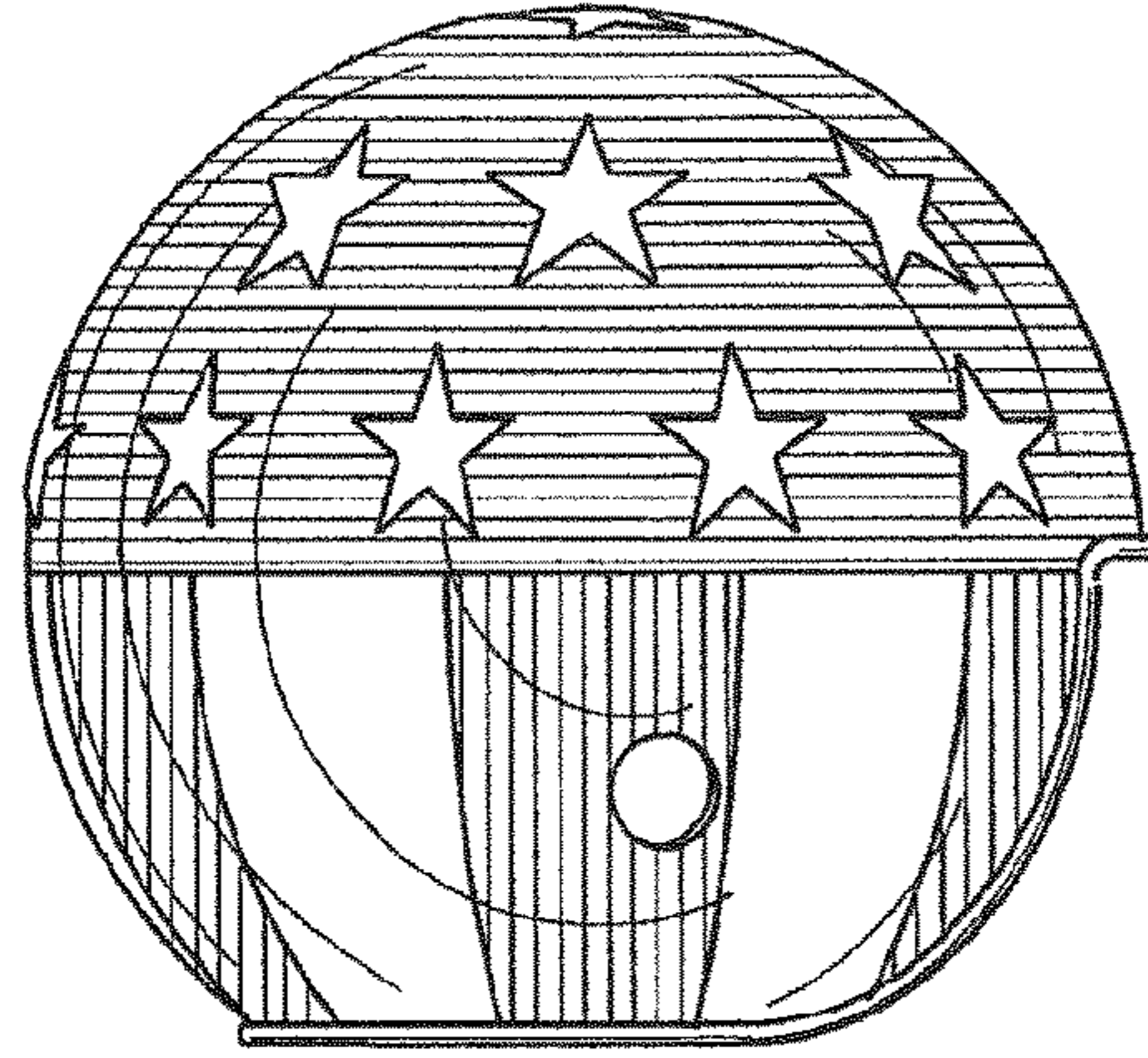


Fig. 5

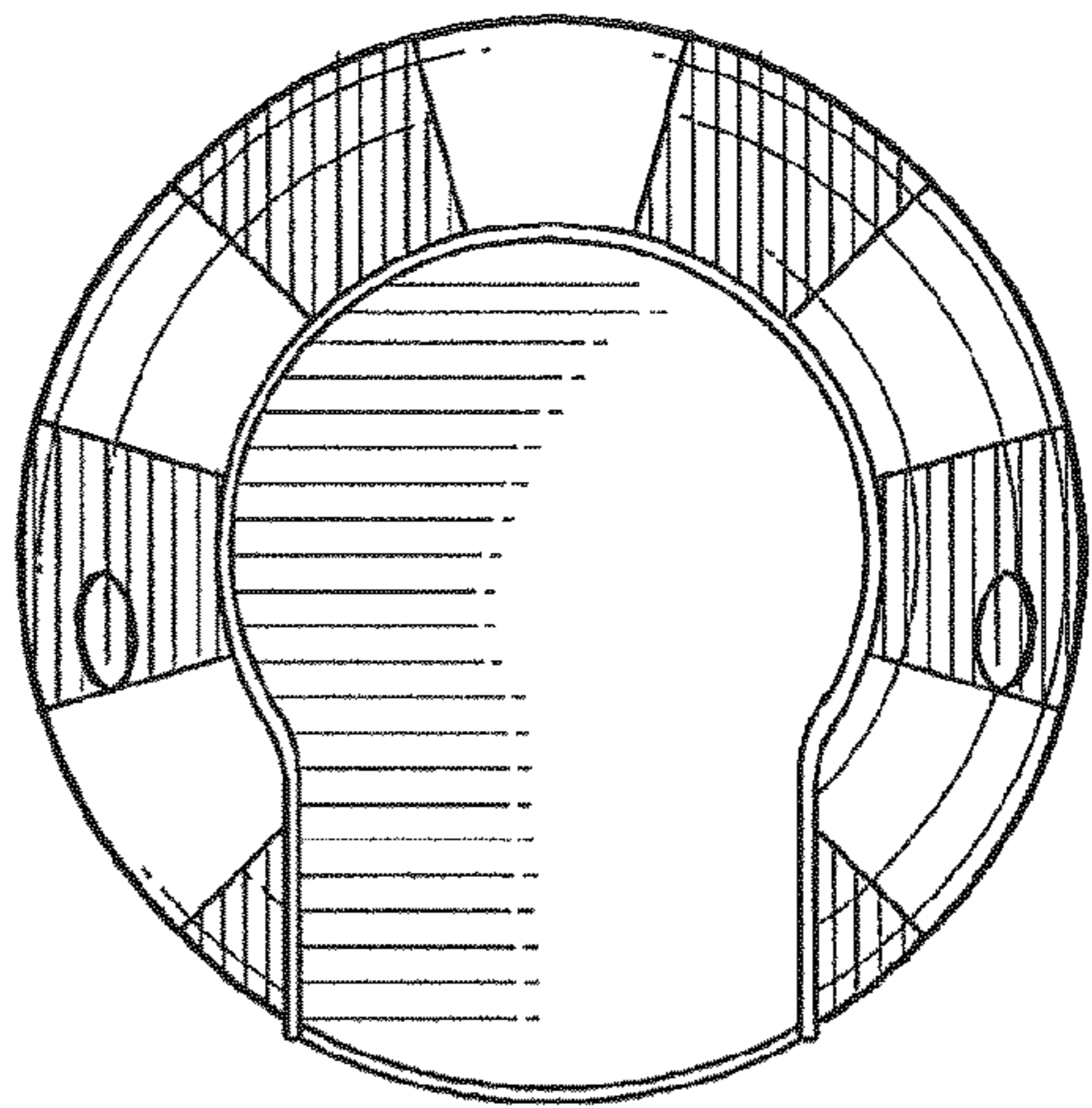


Fig. 6