



US00D696491S

(12) **United States Design Patent**
Wilson

(10) **Patent No.:** **US D696,491 S**
(45) **Date of Patent:** **** Dec. 31, 2013**

(54) **CHRISTMAS NOVELTY HEADWEAR**

(71) Applicant: **Gregg Wilson**, Dallas, TX (US)

(72) Inventor: **Gregg Wilson**, Dallas, TX (US)

(73) Assignee: **Wreckin' Ball Helmets, LLC**, Dallas, TX (US)

(**) Term: **14 Years**

(21) Appl. No.: **29/450,523**

(22) Filed: **Mar. 19, 2013**

Related U.S. Application Data

(63) Continuation-in-part of application No. 29/382,838, filed on Jan. 7, 2011, now abandoned.

(51) **LOC (9) Cl.** **02-03**

(52) **U.S. Cl.**
USPC **D2/870**

(58) **Field of Classification Search**
USPC D2/865, 866, 868, 869, 870, 871, 872,
D2/873, 874, 878, 879, 880, 881, 882, 886,
D2/887, 888, 889, 890; D11/121, 125;
D21/708; D29/102, 103, 104, 105,
D29/106, 107, 108, 109, 110; 2/68, 171,
2/410, 411, 425

See application file for complete search history.

(56) **References Cited**

U.S. PATENT DOCUMENTS

D56,123	S	*	8/1920	Forbes	D2/867
2,047,009	A	*	7/1936	Dearing	2/68
D180,438	S	*	6/1957	Burnbaum	D11/125
3,259,912	A	*	7/1966	Lima et al.	2/68
3,983,658	A	*	10/1976	de Sanz	446/5
4,592,936	A	*	6/1986	Ferguson	428/11
5,343,569	A	*	9/1994	Asare et al.	2/412
D369,015	S	*	4/1996	Griffin, Jr.	D2/869

D405,155	S	*	2/1999	Zaharia et al.	D22/146
D405,714	S	*	2/1999	Lewis	D11/121
D406,400	S	*	3/1999	Munns	D29/107
D443,846	S	*	6/2001	Aldridge	D11/125
D449,653	S	*	10/2001	Curry	D20/11
D608,059	S	*	1/2010	McNaughton	D30/111
D614,989	S	*	5/2010	Nakamura	D11/121
D634,516	S	*	3/2011	Wilson	D2/870
D672,533	S	*	12/2012	Wilson	D2/870
D683,108	S	*	5/2013	Wilson	D2/870
D686,394	S	*	7/2013	Wilson	D2/870
D686,395	S	*	7/2013	Wilson	D2/870
2007/0031613	A1	*	2/2007	Foster	428/7
2012/0003404	A1	*	1/2012	Hamlin	428/19

FOREIGN PATENT DOCUMENTS

CA 78217 * 4/1996

* cited by examiner

Primary Examiner — Karen E Eldridge Powers

(74) *Attorney, Agent, or Firm* — Gunn, Lee & Cave, P.C.; Robert L. McRae

(57) **CLAIM**

The ornamental design for a Christmas novelty headwear, as shown and described.

DESCRIPTION

FIG. 1 is a front elevation view of the Christmas novelty headwear showing my new design.

FIG. 2 is a top plan view of the design of FIG. 1.

FIG. 3 is a left side elevation view of the design of FIG. 1.

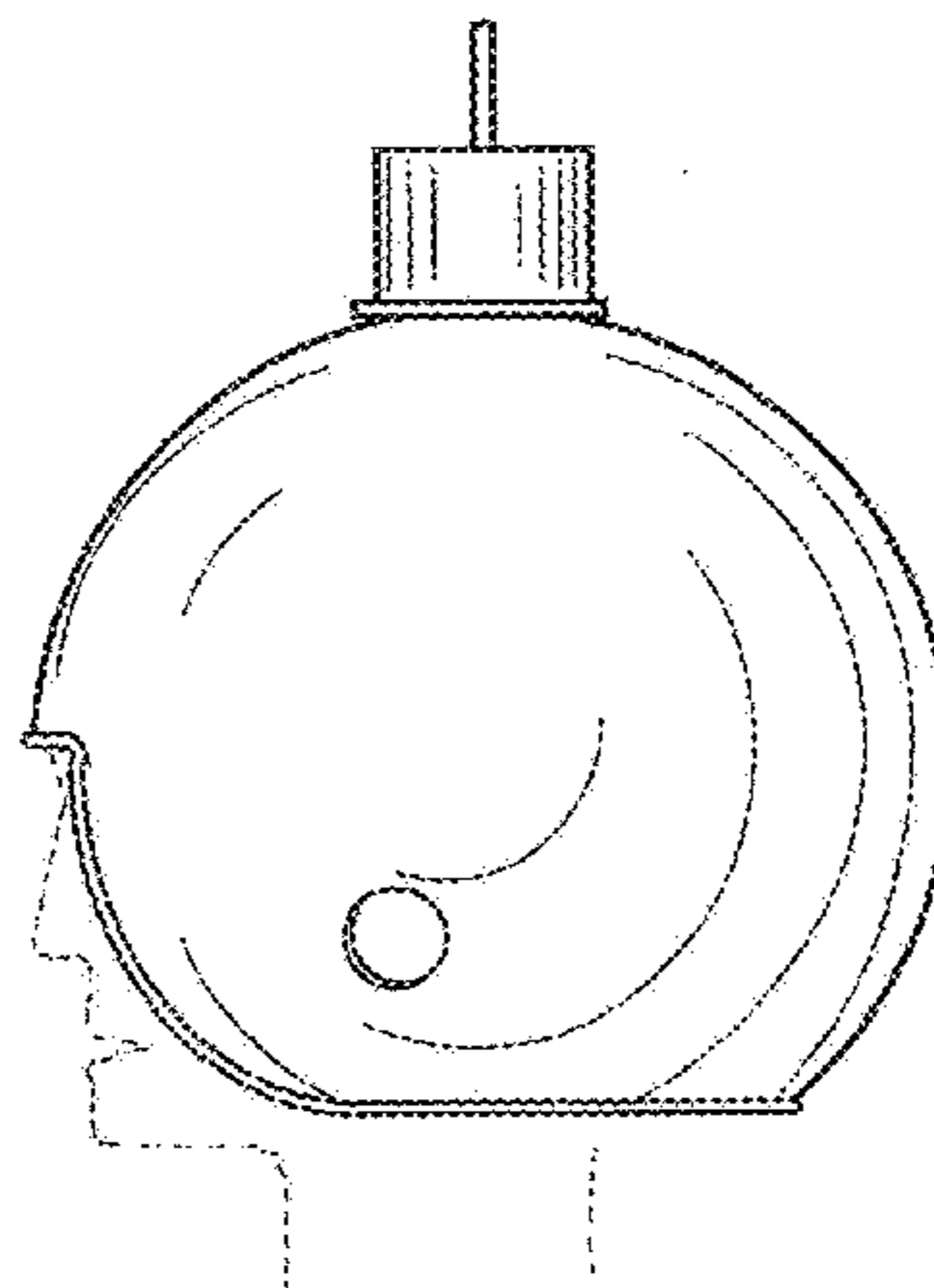
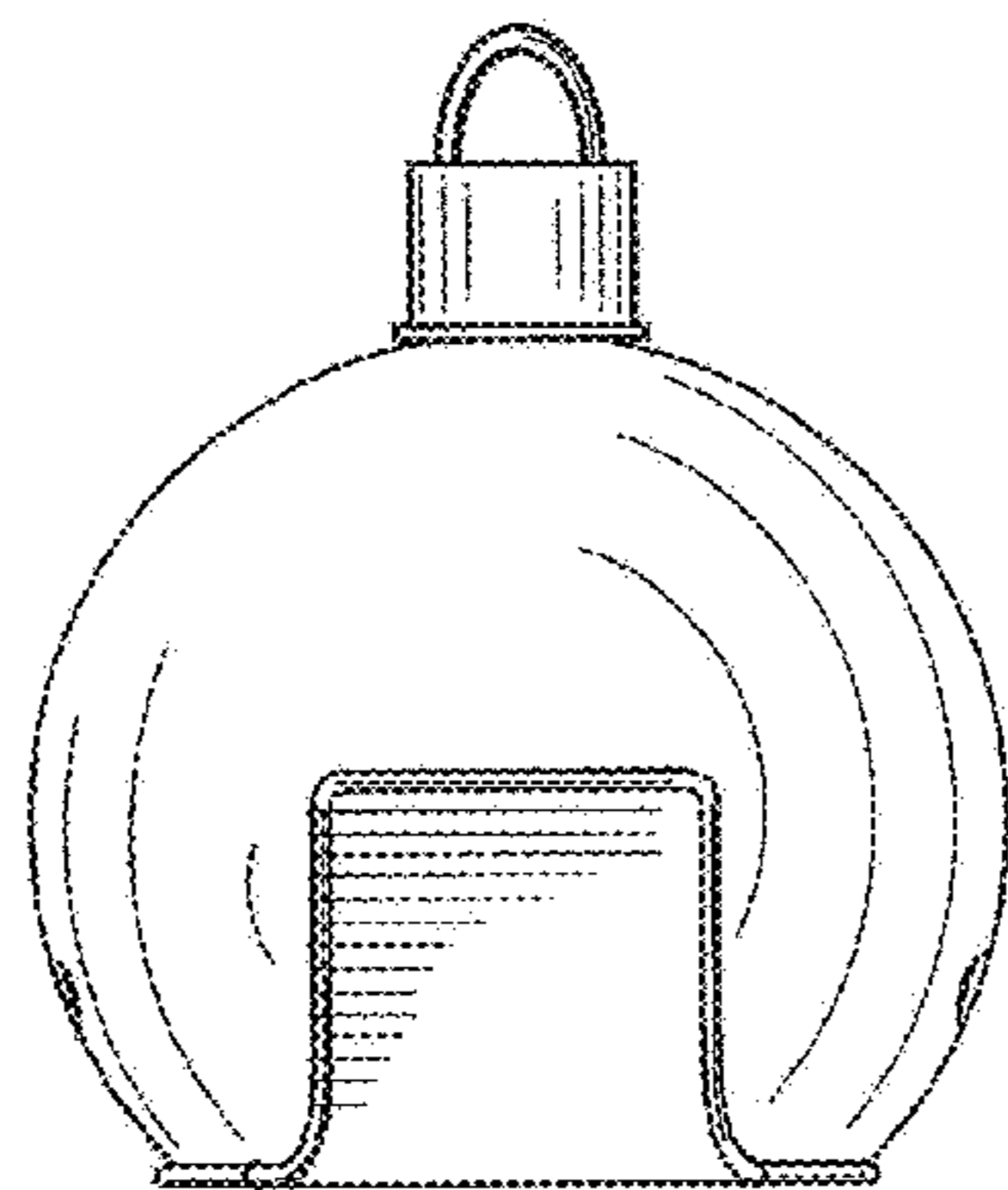
FIG. 4 is a left side elevation view of the design of FIG. 1.

FIG. 5 is a rear elevation view of the design of FIG. 1; and,

FIG. 6 is a bottom plan view of the design of FIG. 1.

The human head shown in broken lines in FIG. 3 forms no part of the claimed design and is included to illustrate the environment in which the design is used and assists in showing how the claimed design appears when worn.

1 Claim, 2 Drawing Sheets



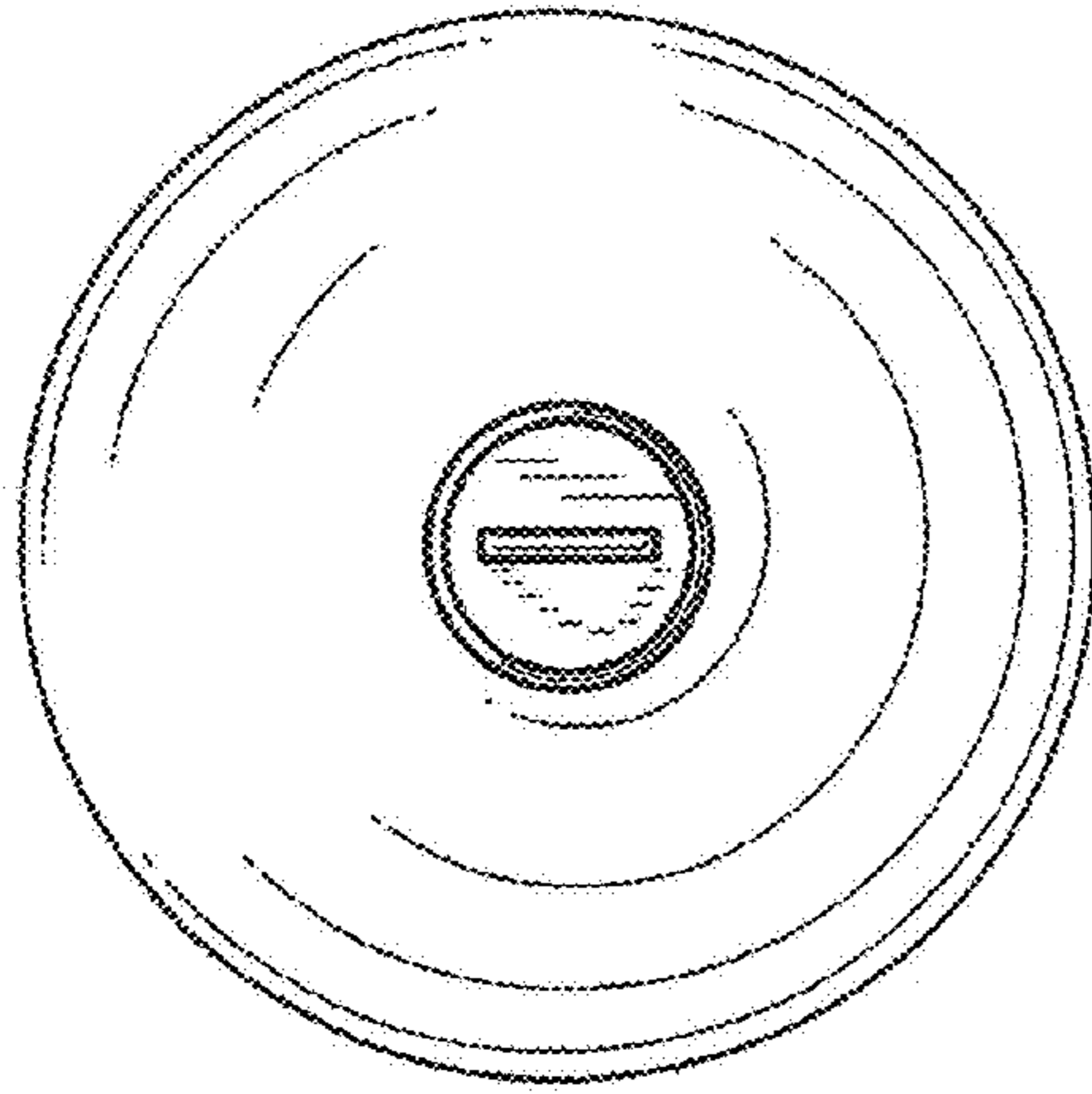


Fig. 2

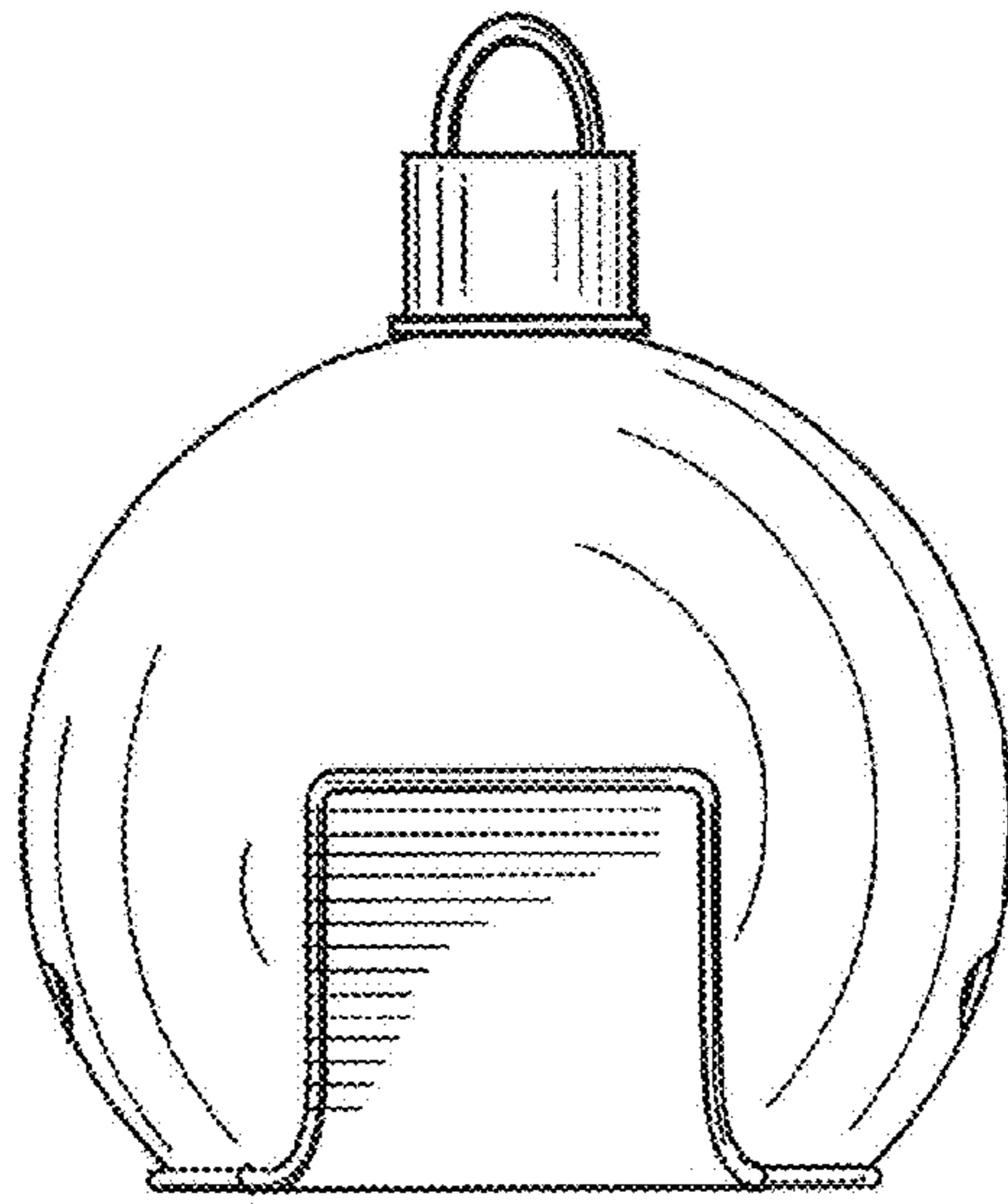


Fig. 1

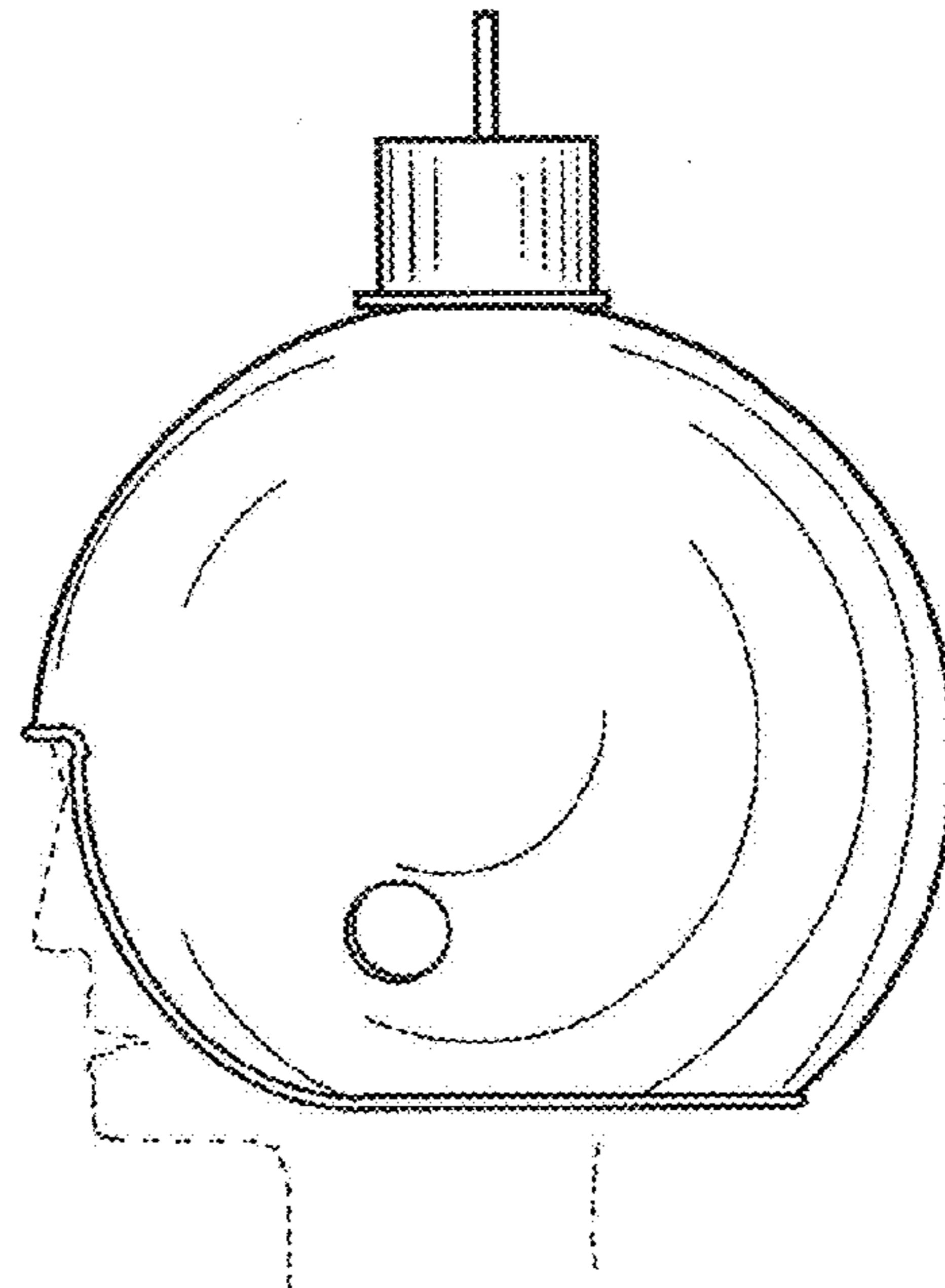


Fig. 3

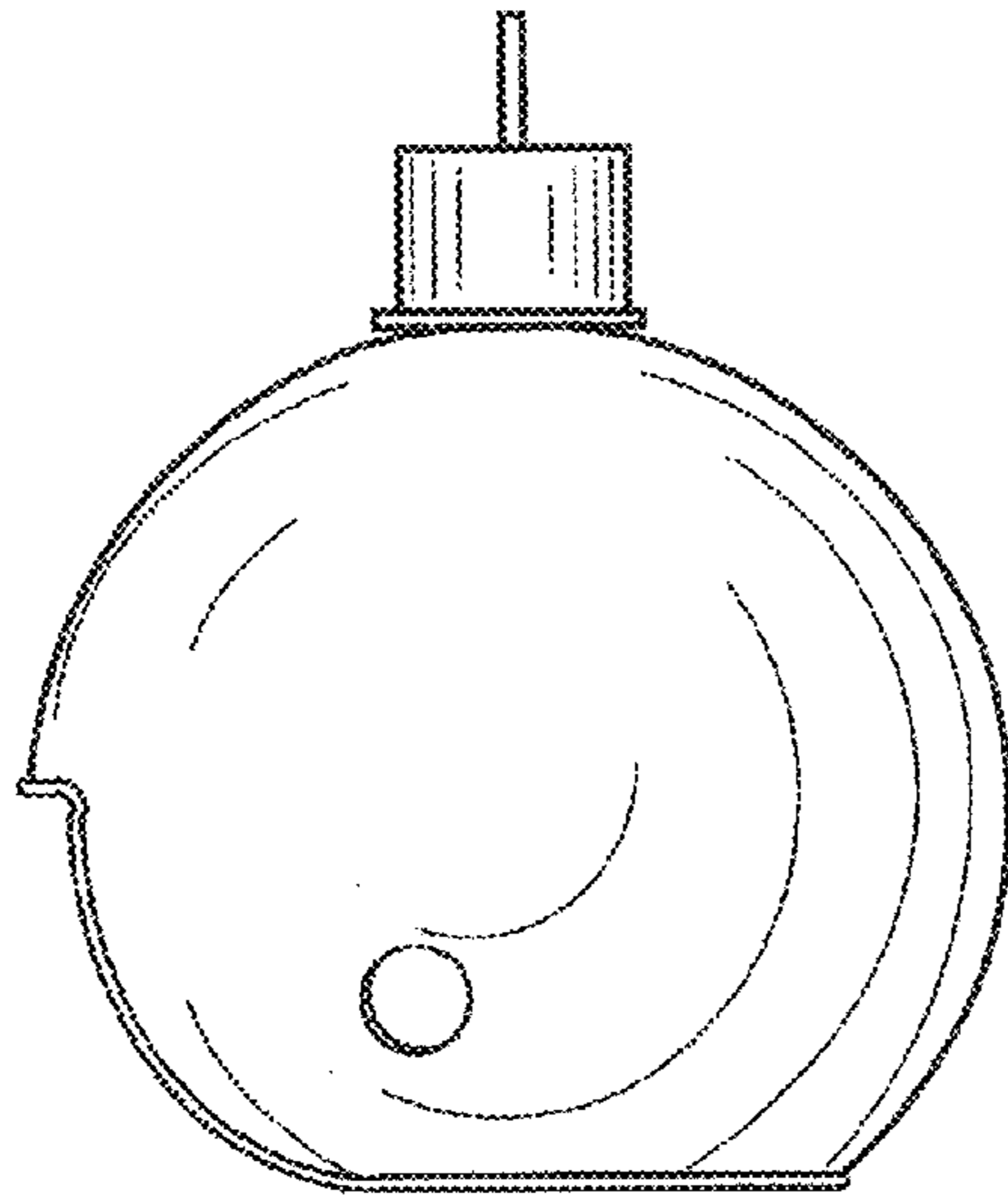


Fig. 4

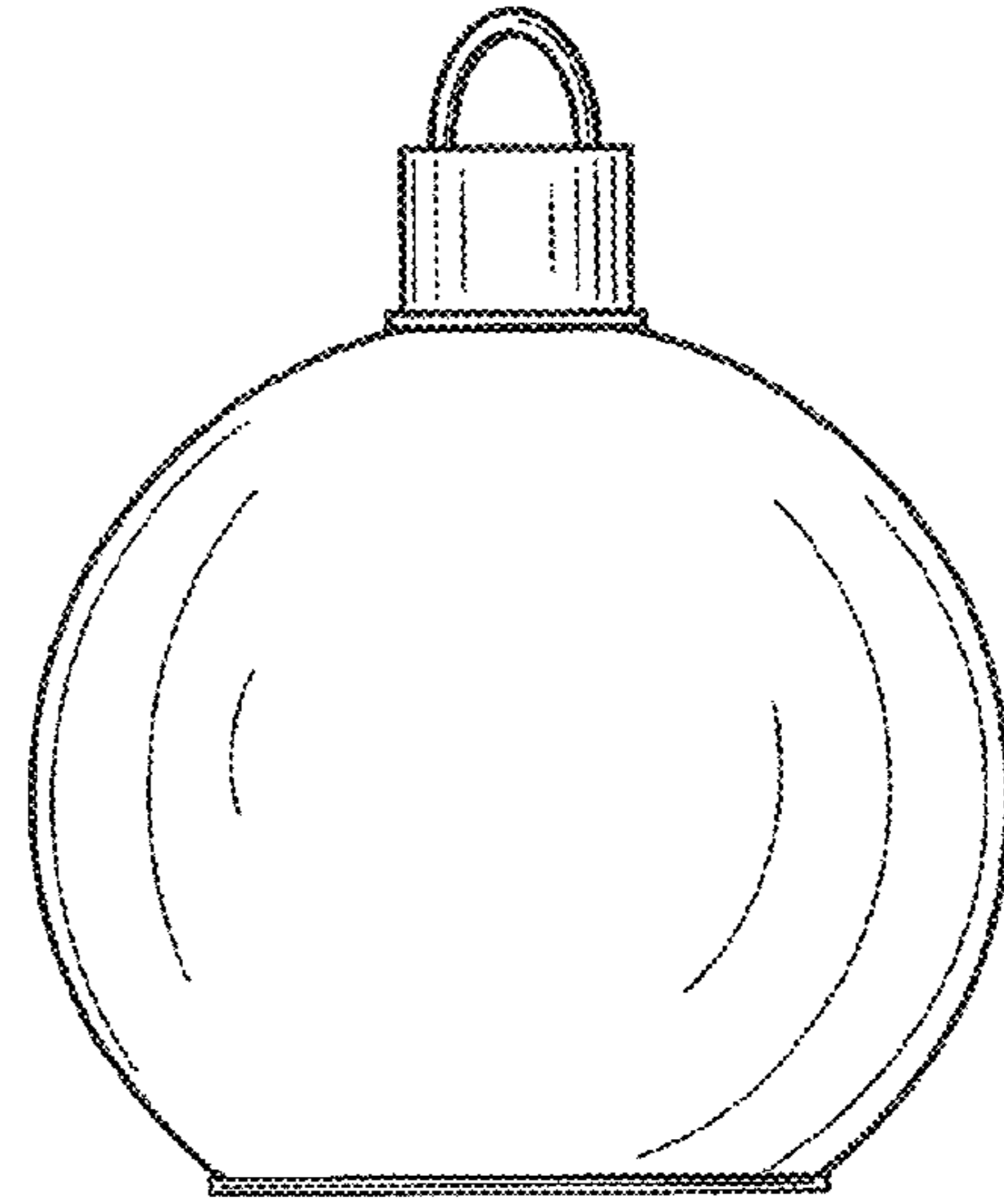


Fig. 5

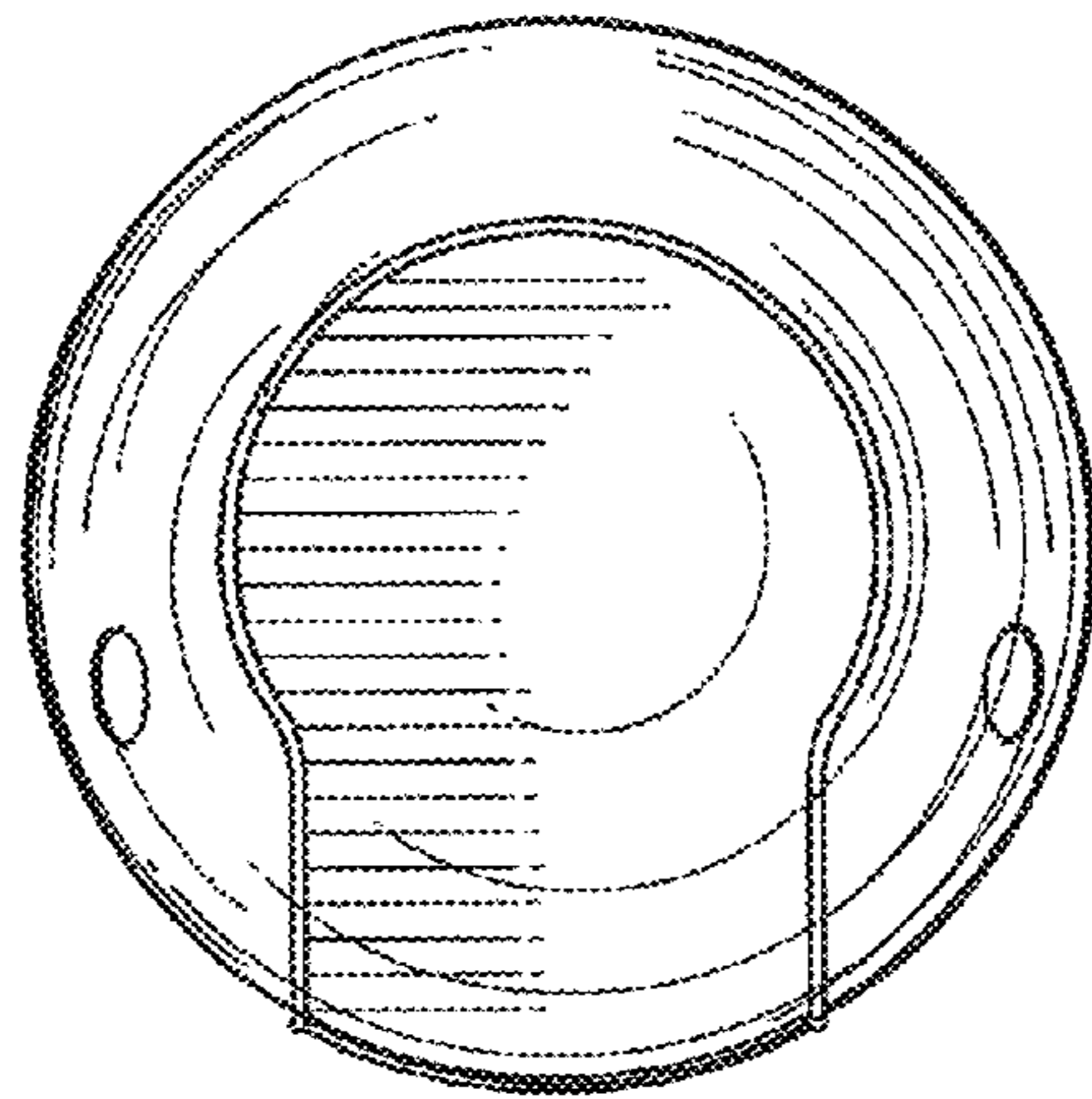


Fig. 6