



US00D696483S

(12) **United States Design Patent**
Otterlee et al.

(10) **Patent No.:** **US D696,483 S**

(45) **Date of Patent:** **** Dec. 24, 2013**

(54) **SEAT FLAP**

(71) Applicant: **IS Works**, Edgewater, FL (US)

(72) Inventors: **Tim Otterlee**, Kennesaw, GA (US);
Dave Hager, Edgewater, FL (US)

(73) Assignee: **Sharp Carts Management LLC**,
Edgewater, FL (US)

(**) Term: **14 Years**

(21) Appl. No.: **29/436,133**

(22) Filed: **Nov. 1, 2012**

(51) **LOC (9) Cl.** **12-02**

(52) **U.S. Cl.**
USPC **D34/27**

(58) **Field of Classification Search**
USPC D34/12-27; 280/33.991, 33.992, 47.34,
280/79.11, 79.2, 33.997, 659, 79.3, 33.998,
280/33.996, 33.995, 47.35; 297/256.17,
297/473; 40/308, 395
See application file for complete search history.

(56) **References Cited**

U.S. PATENT DOCUMENTS

D178,445 S * 7/1956 Young D34/27
4,742,943 A * 5/1988 Trubiano 224/277

5,348,323 A * 9/1994 Trubiano 280/33.993
D426,177 S * 6/2000 Lundh D12/133
D443,968 S * 6/2001 Porter D34/27
D445,231 S * 7/2001 Porter D34/27
D523,207 S * 6/2006 Tucker et al. D34/27
D667,603 S * 9/2012 Walter D34/27
2011/0062675 A1 * 3/2011 Brown et al. 280/33.993

* cited by examiner

Primary Examiner — Cynthia Ramirez

(74) *Attorney, Agent, or Firm* — Michael Best & Friedrich LLP

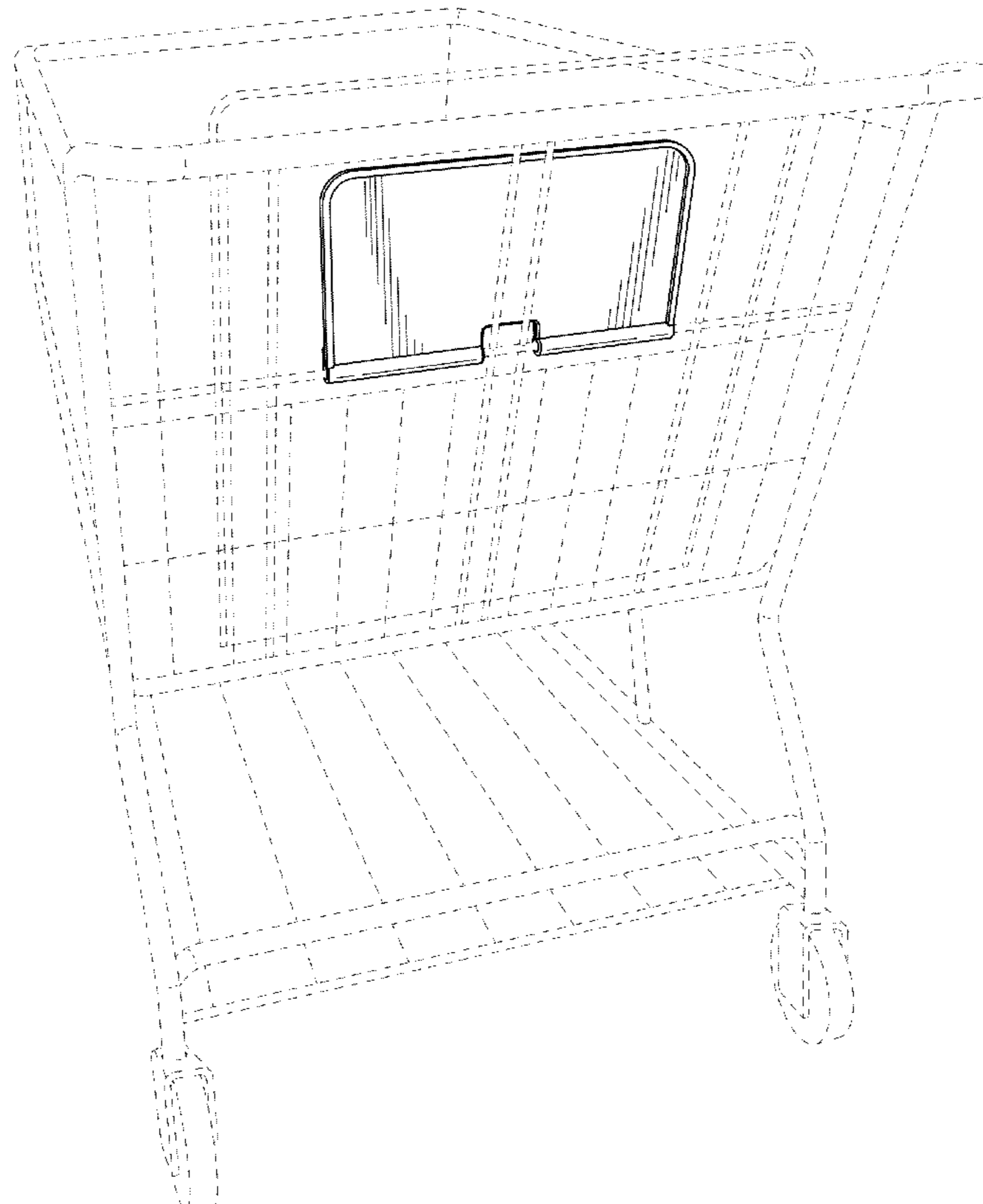
(57) **CLAIM**

We claim the ornamental design for a seat flap, as shown and described.

DESCRIPTION

FIG. 1 is a perspective view of a seat flap embodying the invention and attached to a shopping cart;
FIG. 2 is a top view of the seat flap of FIG. 1;
FIG. 3 is a right side view of the set flap of FIG. 1, with the left side being a mirror image thereof; and,
FIG. 4 is a bottom view of the seat flap of FIG. 1.
The elements shown in broken lines are included for the purpose of illustrating environment and form no part of the claimed design.

1 Claim, 3 Drawing Sheets



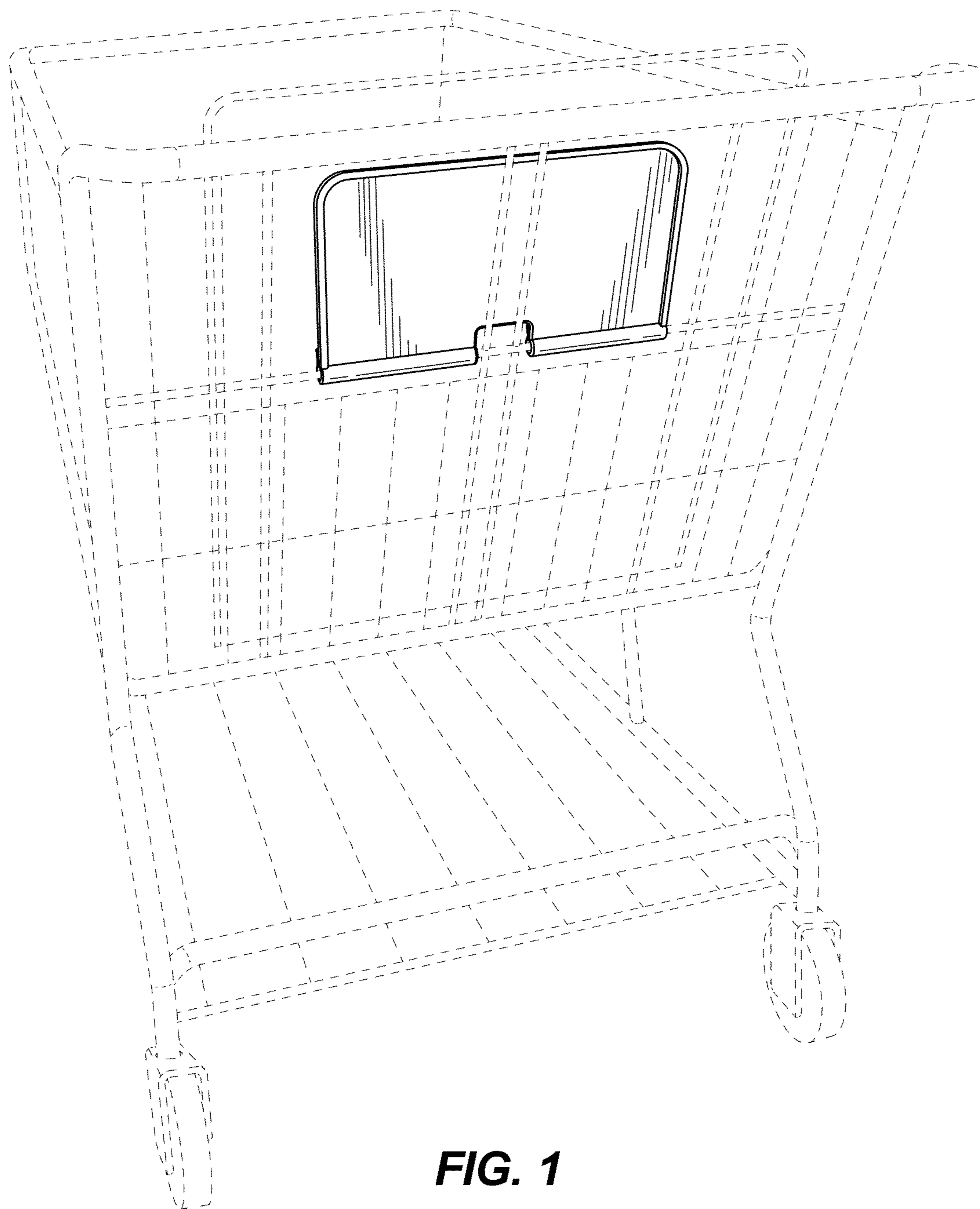




FIG. 3

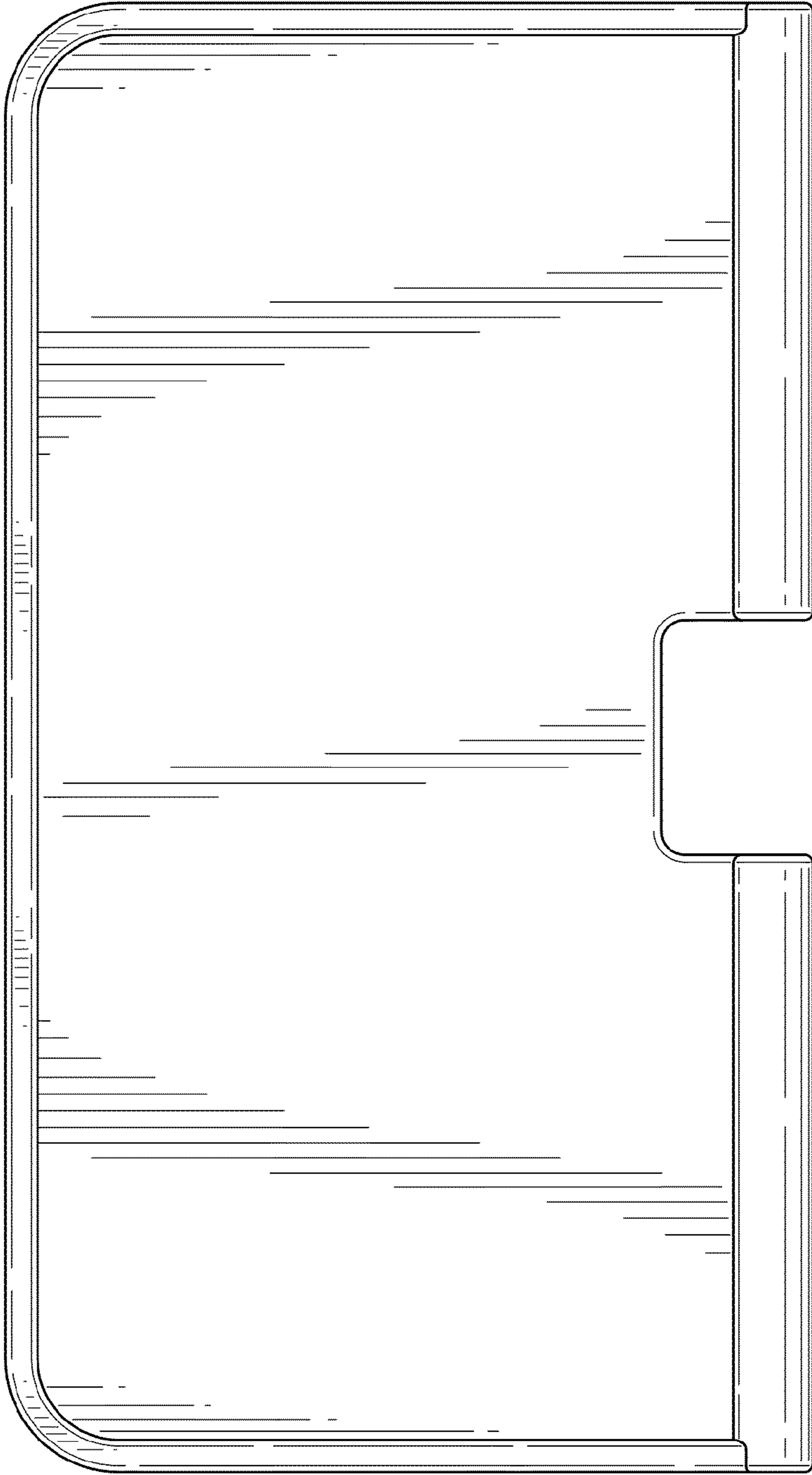


FIG. 2

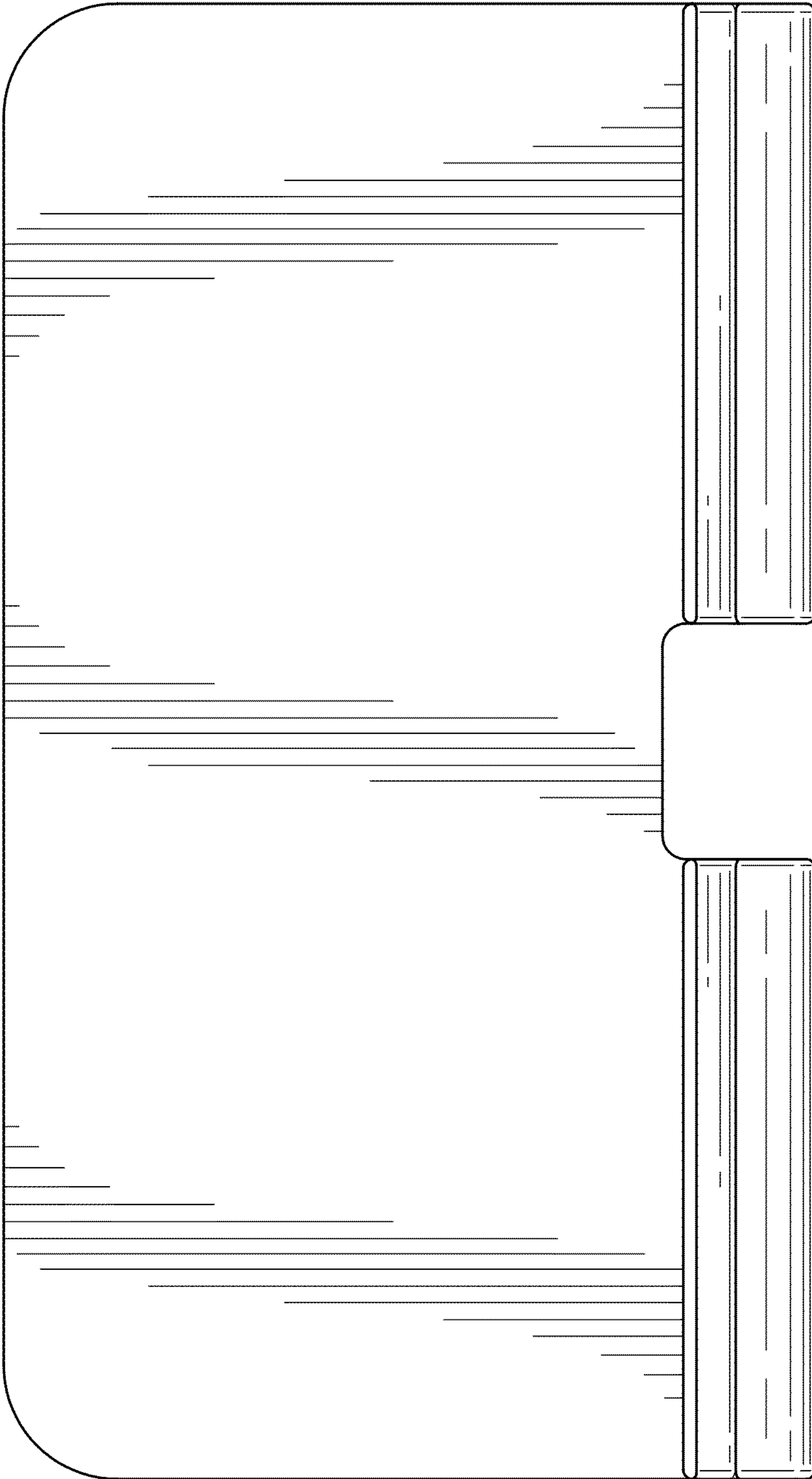


FIG. 4