

US00D696481S

(12) **United States Design Patent**
Richardson

(10) **Patent No.:** **US D696,481 S**

(45) **Date of Patent:** **** Dec. 24, 2013**

(54) **WORK STATION**

(71) Applicant: **Nicky D. Richardson**, Hamburg, PA
(US)

(72) Inventor: **Nicky D. Richardson**, Hamburg, PA
(US)

(**) Term: **14 Years**

(21) Appl. No.: **29/448,385**

(22) Filed: **Mar. 12, 2013**

Related U.S. Application Data

(62) Division of application No. 29/407,354, filed on Nov. 28, 2011, now abandoned, and a division of application No. 29/295,890, filed on Oct. 9, 2007, now Pat. No. Des. 649,479.

(51) **LOC (9) Cl.** **07-07**

(52) **U.S. Cl.**
USPC **D32/53**

(58) **Field of Classification Search**
USPC D32/53, 35, 53.1, 54; D9/500, 501, D9/633, 772, 773, 776, 780; D34/12, 14, D34/39; 206/503, 510, 515; 220/212, 380, 220/605, 752, 753, 760, 763, 904; 280/651

See application file for complete search history.

(56) **References Cited**

U.S. PATENT DOCUMENTS

2,531,131	A *	11/1950	Johnson	248/129
D220,316	S *	3/1971	Bardell et al.	D34/39
D312,157	S *	11/1990	Sjolander	D32/53
5,069,736	A *	12/1991	Castle	156/94
D329,597	S *	9/1992	Gallagher et al.	D9/780
5,150,804	A *	9/1992	Blanchet et al.	220/212
5,758,886	A *	6/1998	Mayer	280/47.26
6,454,293	B1 *	9/2002	Anderson	280/651
7,156,265	B2 *	1/2007	Walsh et al.	222/465.1
D583,122	A *	12/2008	Ralph	D34/24
D616,620	S *	5/2010	Carroll et al.	D32/53
D654,239	S *	2/2012	Hurt	D32/53

* cited by examiner

Primary Examiner — Derrick Holland

(74) *Attorney, Agent, or Firm* — Miller Law Group, PLLC

(57) **CLAIM**

The ornamental design for a work station, as shown and described.

DESCRIPTION

FIG. 1 is a front elevational view of a work station showing my new design;
FIG. 2 is a left side elevational view thereof;
FIG. 3 is a rear elevational view thereof;
FIG. 4 is a right side elevational view thereof;
FIG. 5 is a top plan view thereof; and,
FIG. 6 is a bottom plan view thereof.
The broken lines shown represent unclaimed subject matter and form no part of the claimed design.

1 Claim, 3 Drawing Sheets

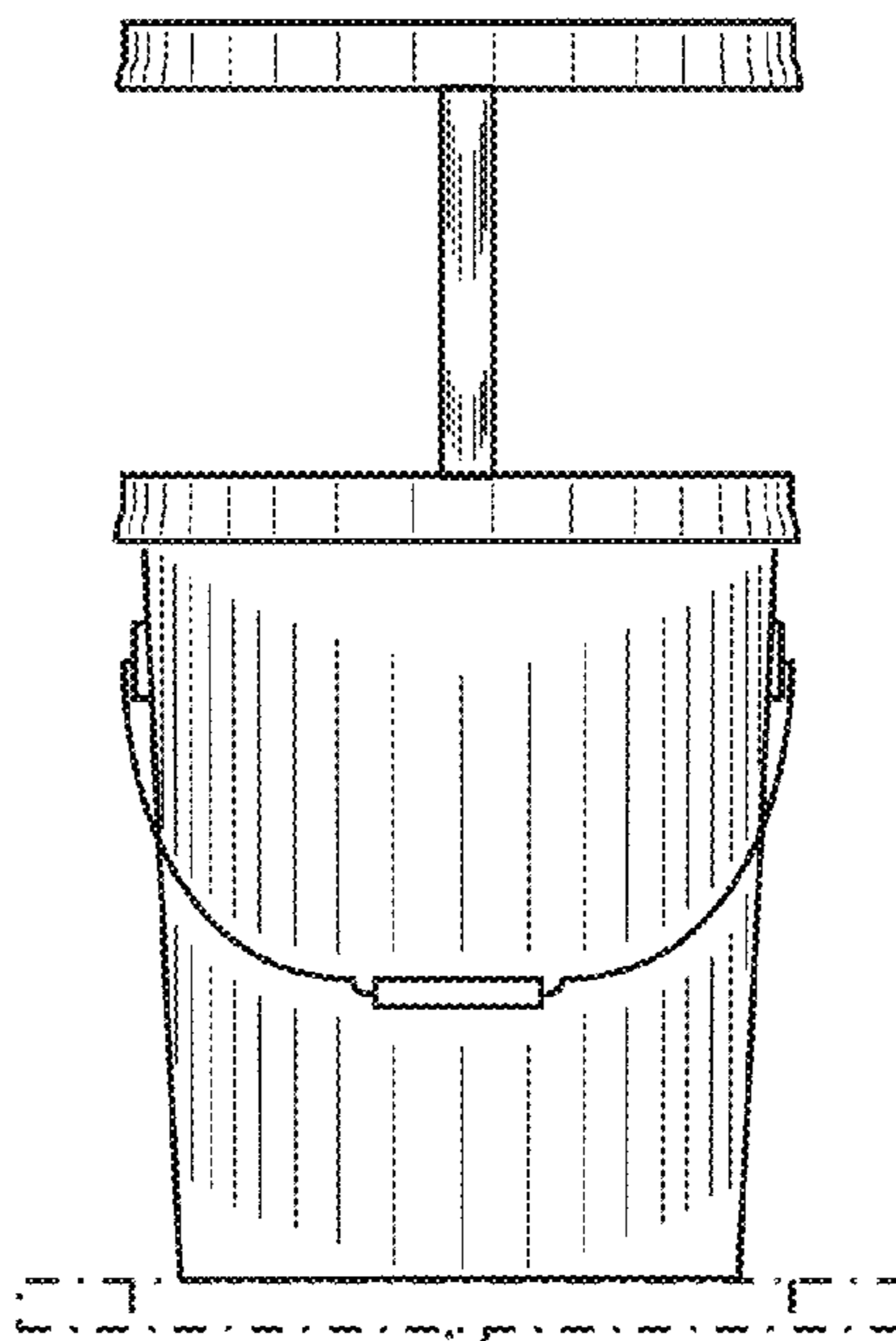


Fig. 1

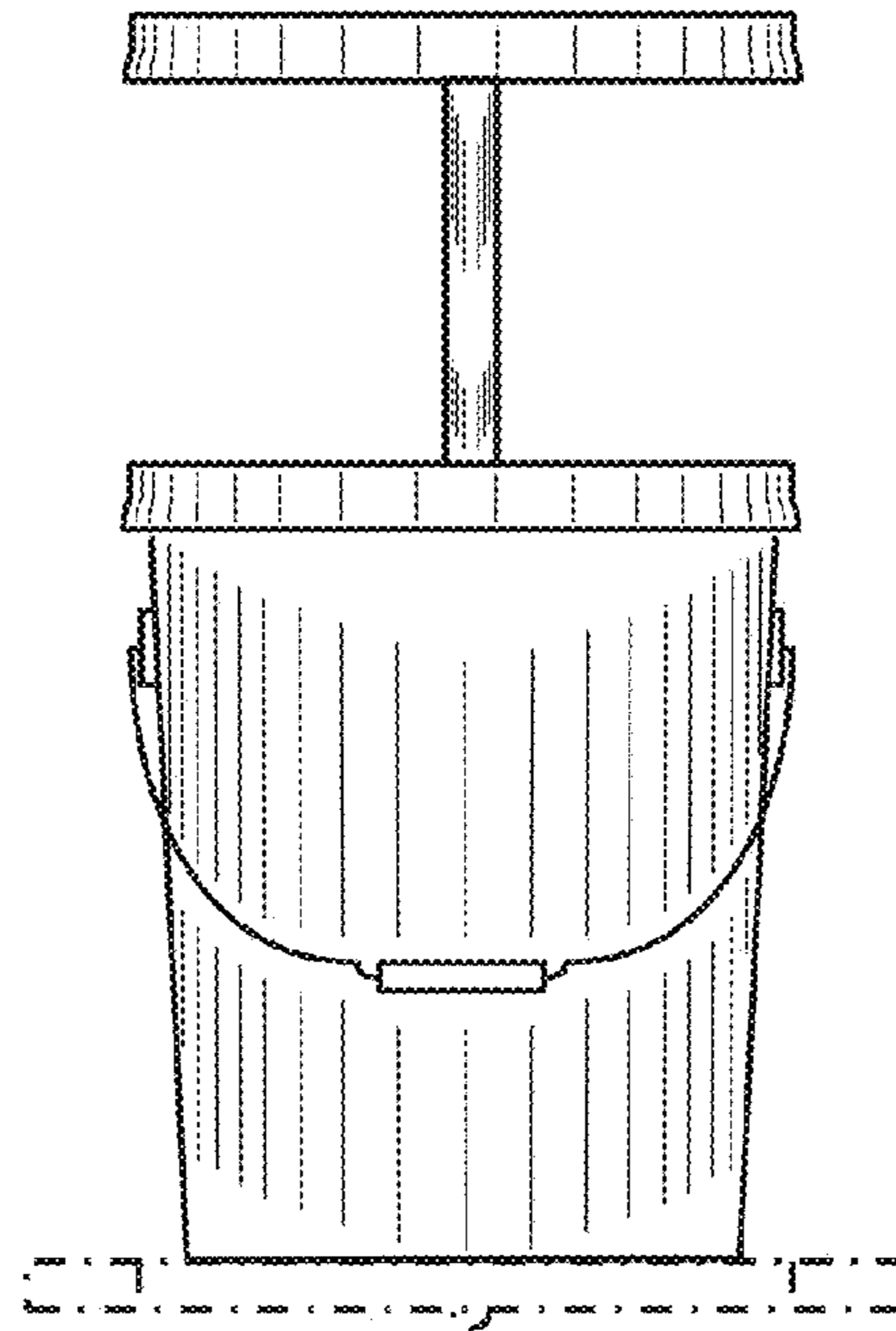


Fig. 2

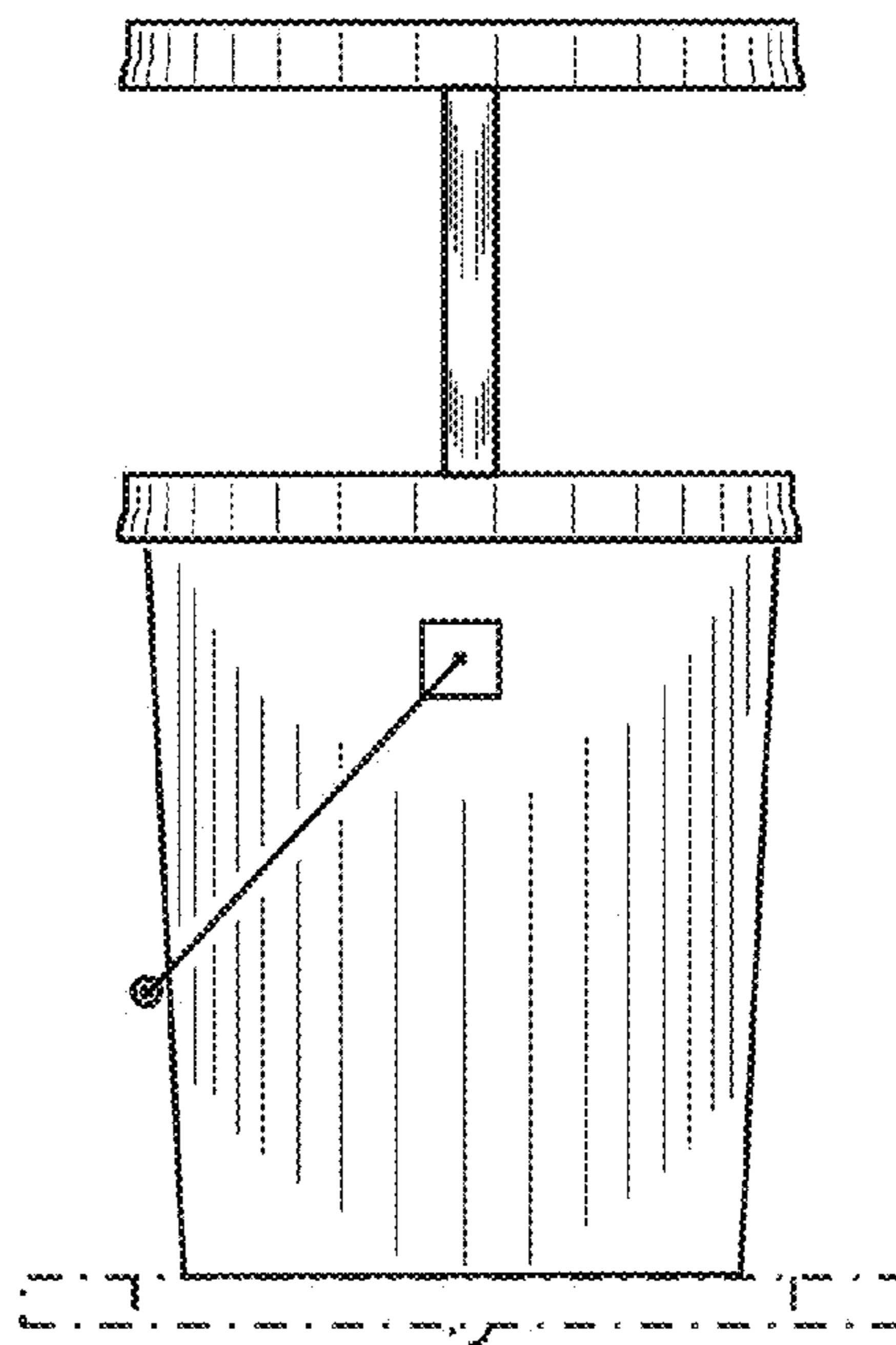


Fig. 3

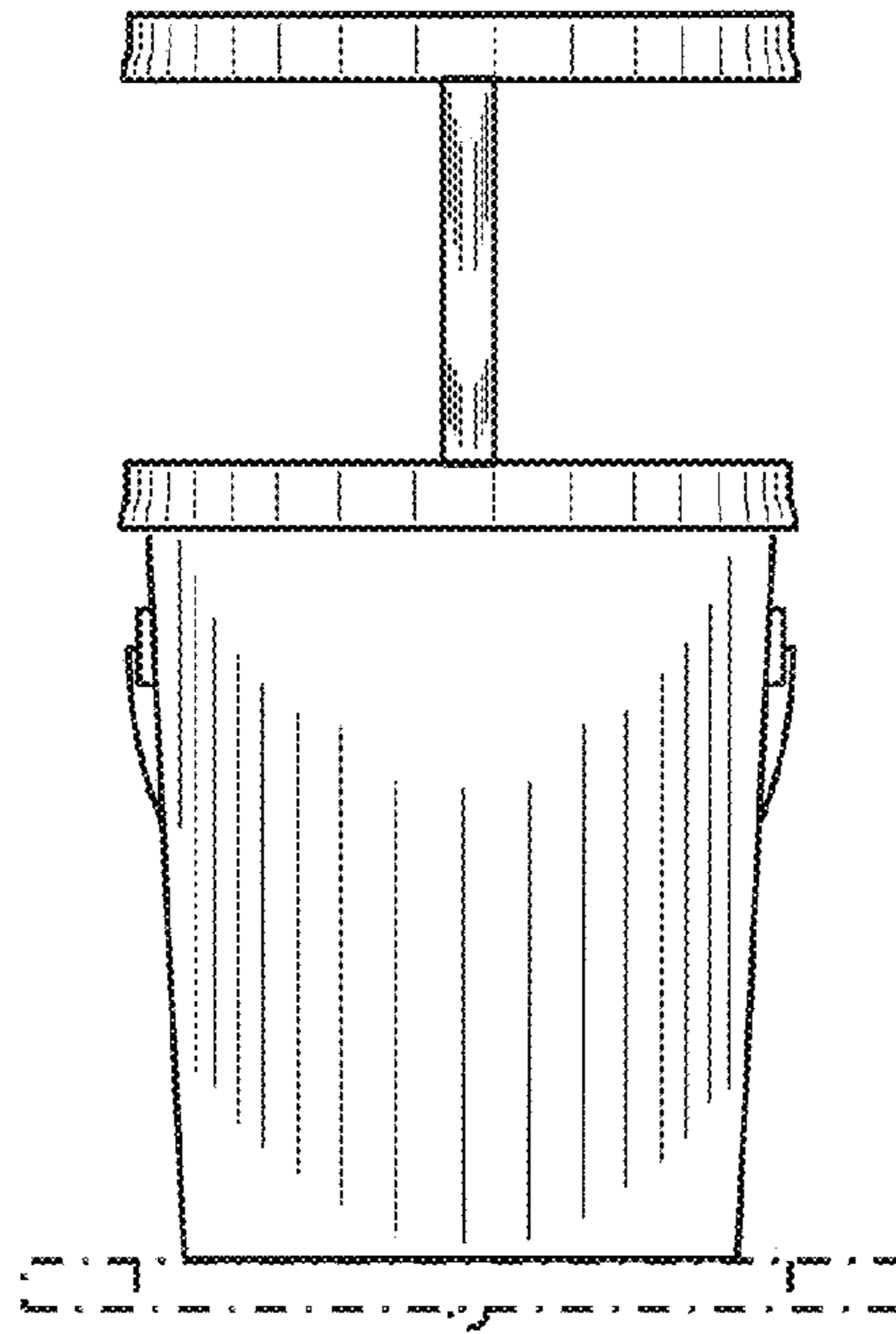


Fig. 4

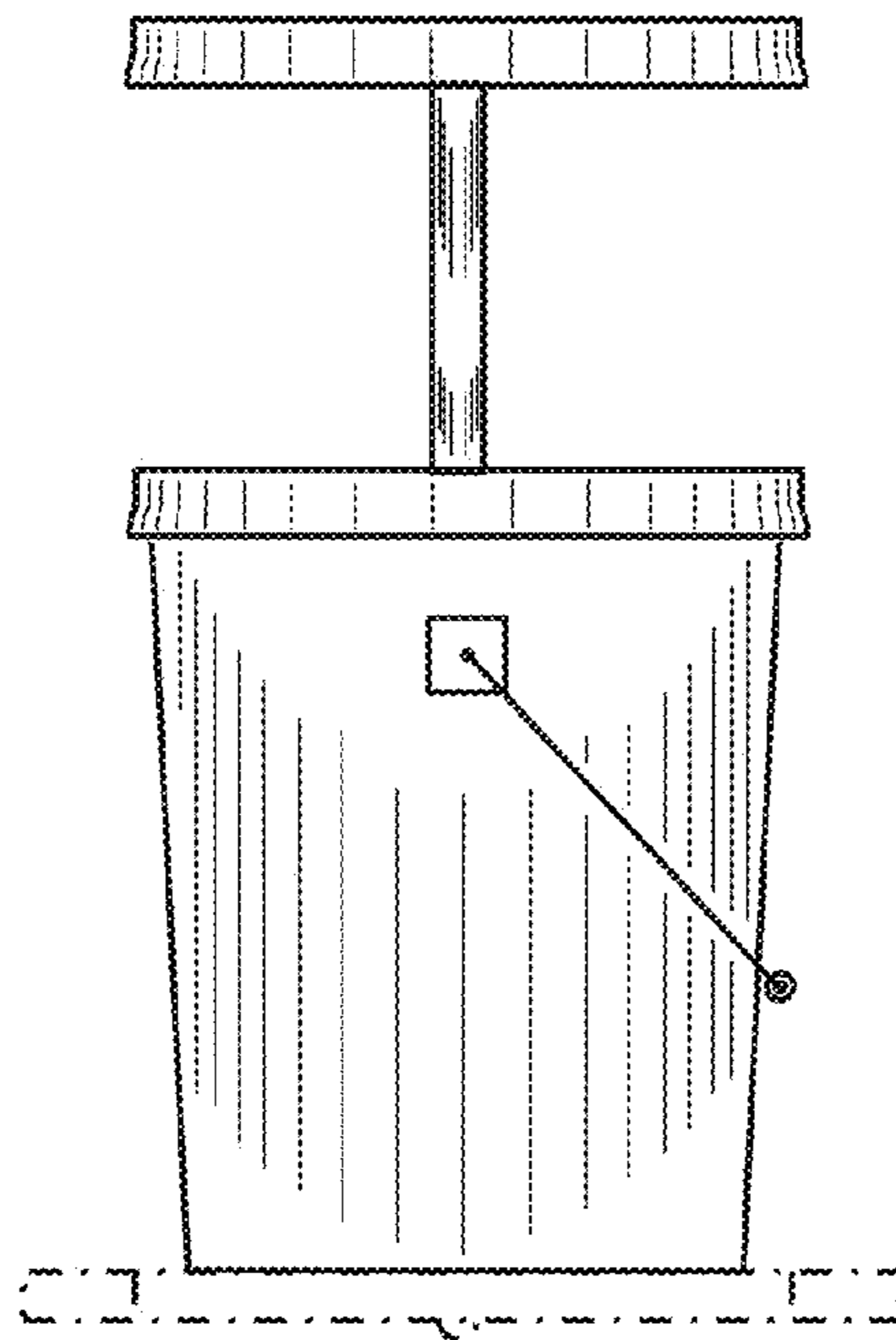


Fig. 5

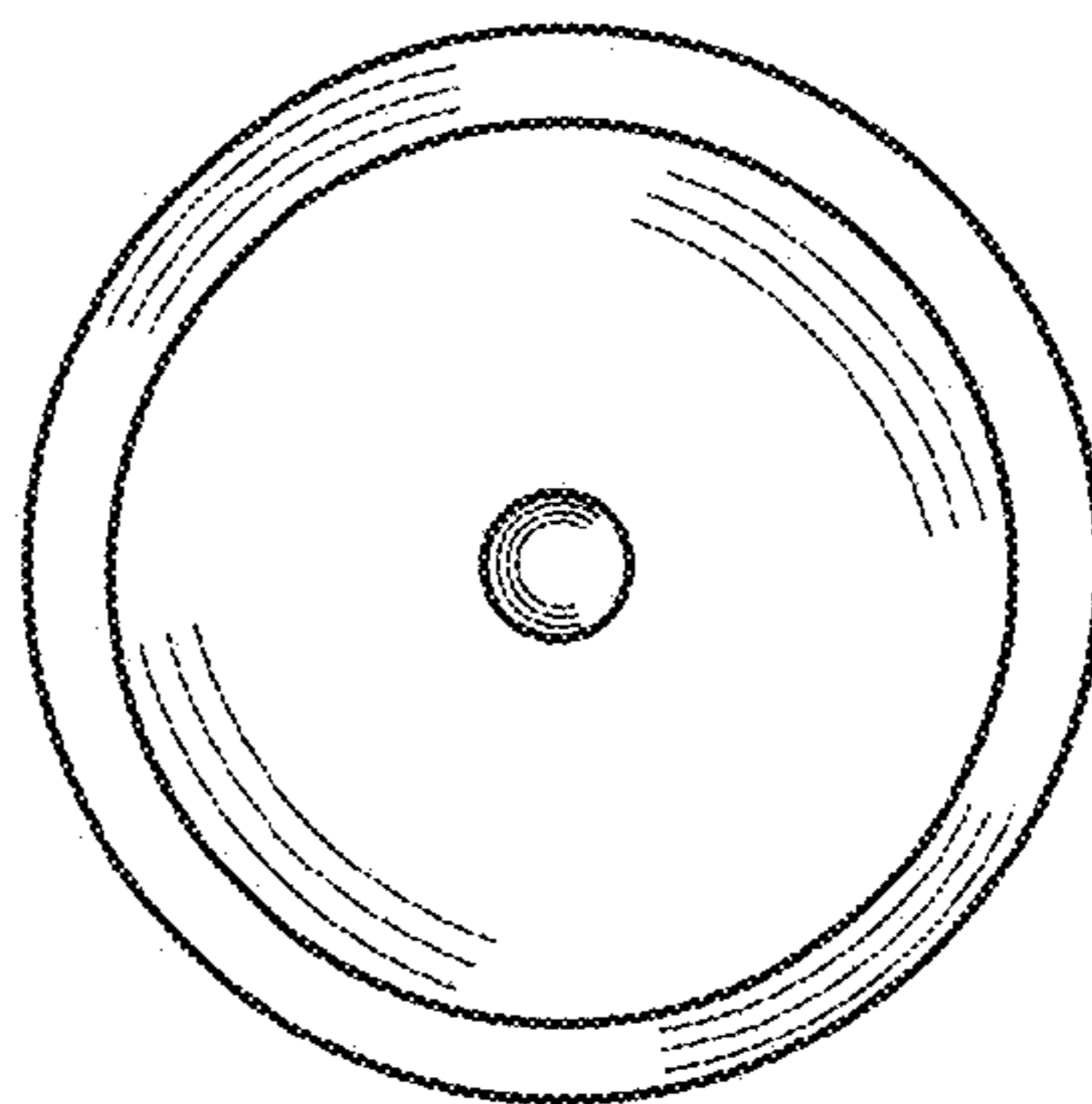
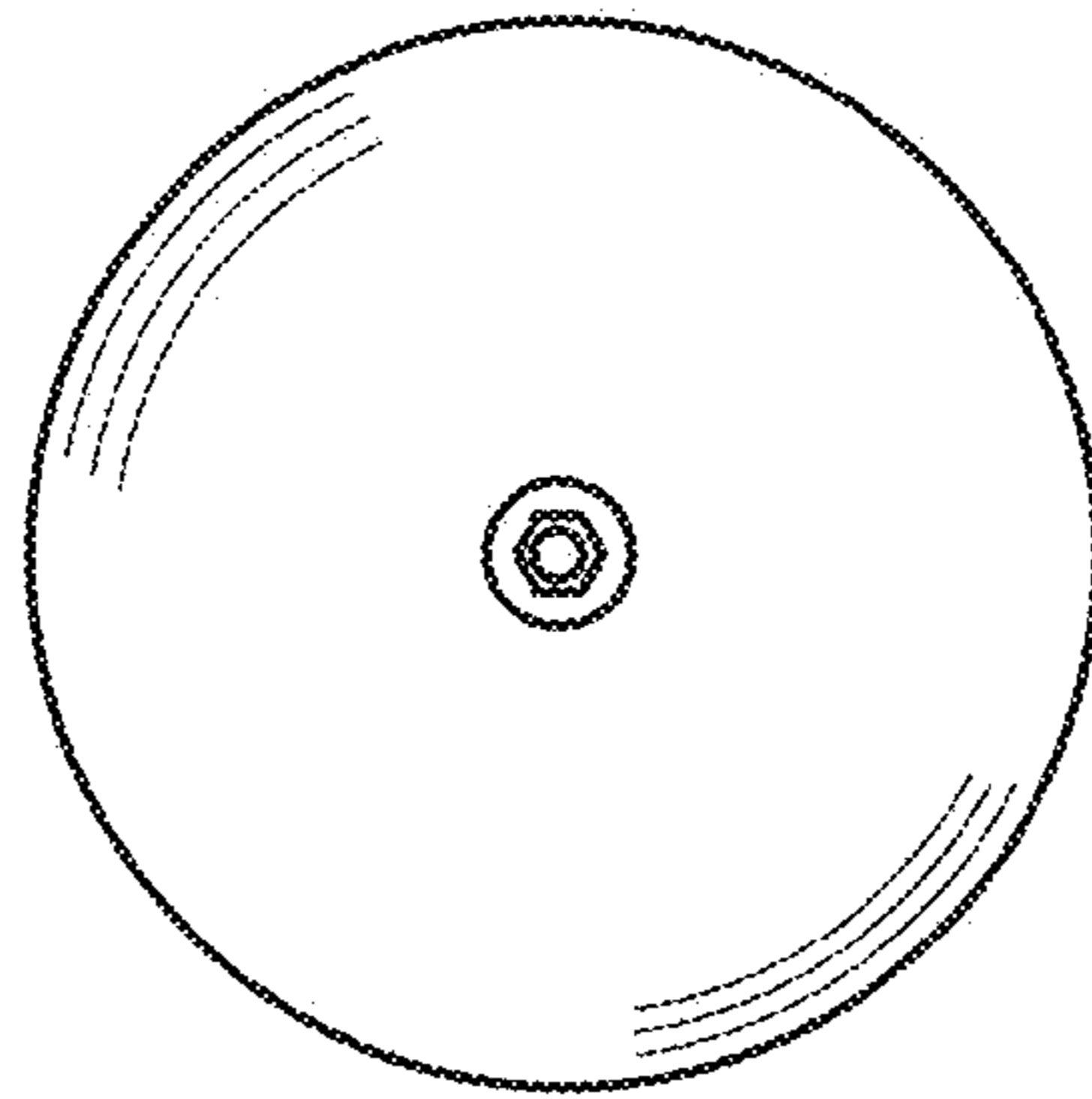


Fig. 6