

US00D696479S

(12) **United States Design Patent**
Wiggins

(10) **Patent No.:** **US D696,479 S**
(45) **Date of Patent:** **** Dec. 24, 2013**

- (54) **BACKPACK VACUUM CLEANER**
- (71) Applicant: **Electrolux Home Care Products, Inc.**,
Charlotte, NC (US)
- (72) Inventor: **James Michael Wiggins**, Charlotte, NC
(US)
- (73) Assignee: **Electrolux Home Care Products, Inc.**,
Charlotte, NC (US)
- (**) Term: **14 Years**
- (21) Appl. No.: **29/434,473**
- (22) Filed: **Oct. 12, 2012**
- (51) **LOC (9) Cl.** **15-05**
- (52) **U.S. Cl.**
USPC **D32/21**
- (58) **Field of Classification Search**
USPC D32/17-21, 24, 31-33, 50; 15/320,
15/322, 327.1, 327.5-327.7, 353,
15/415.1-422, 422.1, 329, 366, 383, 384,
15/400, 340.4, 340.2, 52.2, 50.1, 50.2;
68/222, 5 R, 5 A; 392/403-406, 394,
392/386; 8/149.3; 239/136, 128; 137/241;
38/77.5-77.7, 77.9, 3, 14, 141, 77.83
See application file for complete search history.

- (56) **References Cited**
U.S. PATENT DOCUMENTS

2,036,694 A	4/1936	Hansson	
2,460,682 A	2/1949	Doughman	
D219,835 S *	2/1971	Otto et al.	D32/21
4,325,162 A *	4/1982	Chambers et al.	15/327.5
D326,747 S *	6/1992	Stickle	D32/21
5,159,738 A	11/1992	Sunagawa et al.	
5,267,371 A *	12/1993	Soler et al.	15/327.5
5,293,664 A	3/1994	Lim et al.	
5,400,463 A	3/1995	Attard et al.	
5,548,867 A	8/1996	Hwang et al.	

- 5,588,177 A * 12/1996 Eriksen 15/327.5
- D398,426 S * 9/1998 Bisson D32/21
- 6,049,941 A 4/2000 Vollenweider, II
- 6,073,301 A 6/2000 Berfield
- 6,094,774 A 8/2000 Larsen et al.
- 6,151,749 A * 11/2000 Berfield 15/327.5
- RE37,081 E * 3/2001 Eriksen 15/327.5
- D446,365 S * 8/2001 Bisson D32/21
- 6,295,692 B1 * 10/2001 Shideler 15/327.5
- 6,396,656 B1 5/2002 Satou
- D459,039 S * 6/2002 Bisson D32/21
- 6,473,933 B1 11/2002 Paterson et al.
- 6,553,610 B1 * 4/2003 Shideler 15/327.5
- 6,568,026 B2 5/2003 Roy et al.
- 6,647,586 B2 11/2003 Rogers et al.
- 6,779,228 B2 8/2004 Plomteux et al.
- D518,927 S * 4/2006 Rupp et al. D32/21
- D521,695 S * 5/2006 Jacobs et al. D32/21
- D534,697 S * 1/2007 Reick-Mitrisin et al. D32/21
- D537,583 S * 2/2007 Crevling et al. D32/21

(Continued)

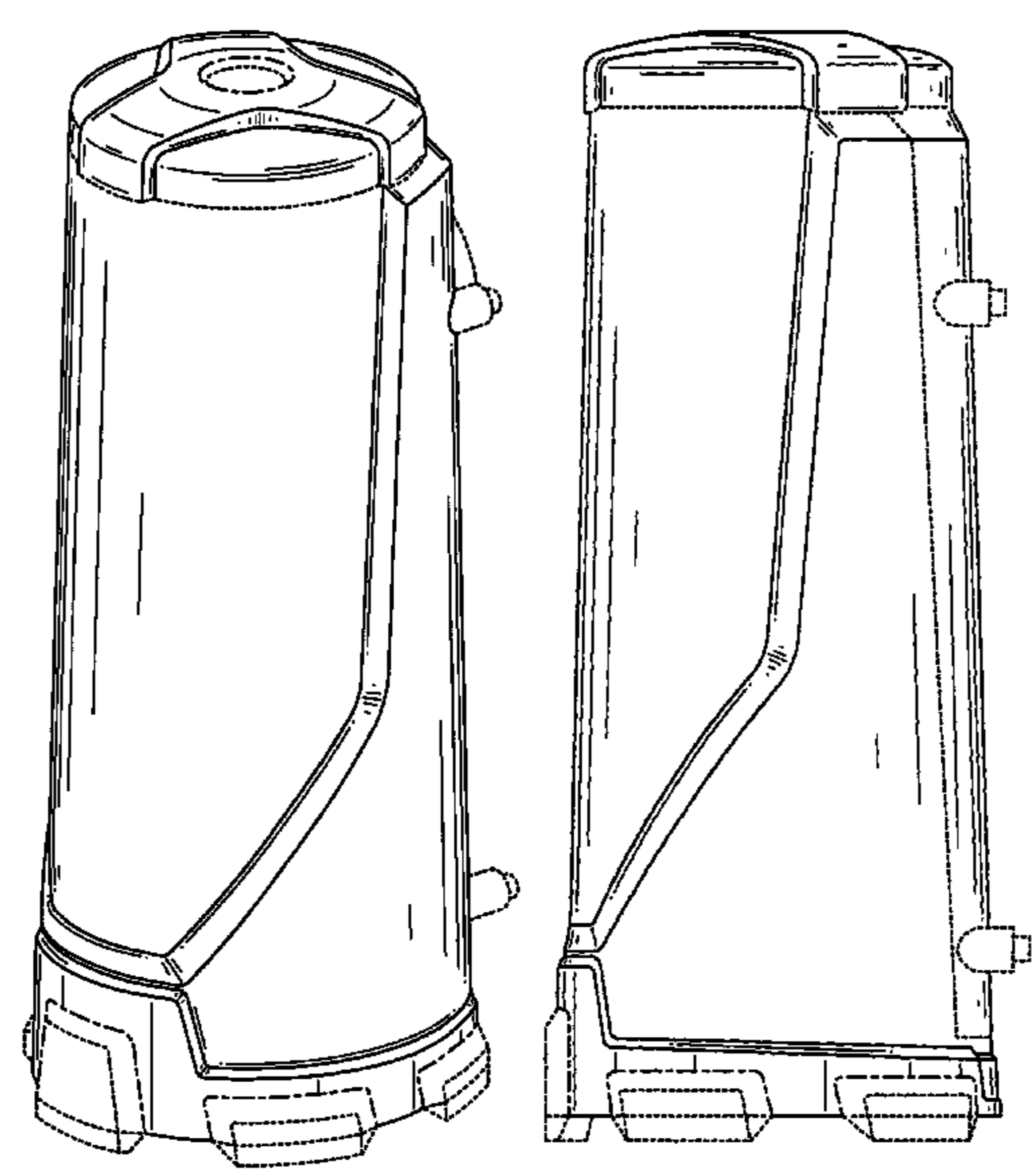
Primary Examiner — Ruth McInroy
(74) *Attorney, Agent, or Firm* — RatnerPrestia

(57) **CLAIM**
The ornamental design for backpack vacuum cleaner, as shown and described.

DESCRIPTION

FIG. 1 is a perspective view of a backpack vacuum cleaner showing my new design;
FIG. 2 is a right side elevation view thereof, the left side being a mirror image of the right side view;
FIG. 3 is a front elevation view thereof;
FIG. 4 is a rear elevation view thereof;
FIG. 5 is a top plan view thereof; and,
FIG. 6 is a bottom plan view thereof.
The environmental structure shown in broken lines and the dash dot lines which illustrate boundary lines form no part of the claimed design.

1 Claim, 5 Drawing Sheets



(56)

References Cited

U.S. PATENT DOCUMENTS

7,287,300	B2 *	10/2007	Rupp et al.	15/327.6	7,921,962	B2	4/2011	Liddell	
D572,420	S *	7/2008	Genoa et al.	D32/21	D637,775	S *	5/2011	Penrow	D32/21
7,437,796	B2 *	10/2008	Rappin	15/327.5	7,950,103	B2	5/2011	Williamson et al.	
D581,113	S *	11/2008	Hoshino et al.	D32/21	2004/0107529	A1 *	6/2004	Shahbaz	15/327.5
D599,063	S *	8/2009	Catron	D32/21	2006/0005346	A1 *	1/2006	Rupp et al.	15/327.5
D601,314	S *	9/2009	Catron	D32/21	2007/0044270	A1 *	3/2007	Crevling et al.	15/327.5
7,581,281	B2	9/2009	Schlapkohl		2007/0174992	A1 *	8/2007	Murray et al.	15/326
7,587,785	B2	9/2009	Arner		2007/0209140	A1 *	9/2007	Clarke	15/327.5
7,600,290	B1 *	10/2009	Peters	15/327.5	2007/0209141	A1 *	9/2007	Hare	15/327.5
D617,962	S *	6/2010	Clepper et al.	D32/21	2008/0178416	A1 *	7/2008	Conrad	15/327.5
D618,408	S *	6/2010	Clepper et al.	D32/21	2008/0179133	A1	7/2008	Conrad	
D620,655	S *	7/2010	Pezzaniti	D32/21	2010/0005614	A1 *	1/2010	Cochran et al.	15/327.5
					2010/0071151	A1	3/2010	Crevling, Jr. et al.	
					2010/0223751	A1	9/2010	Liddell	
					2011/0289718	A1 *	12/2011	Basenberg et al.	15/327.5

* cited by examiner



FIG. 1

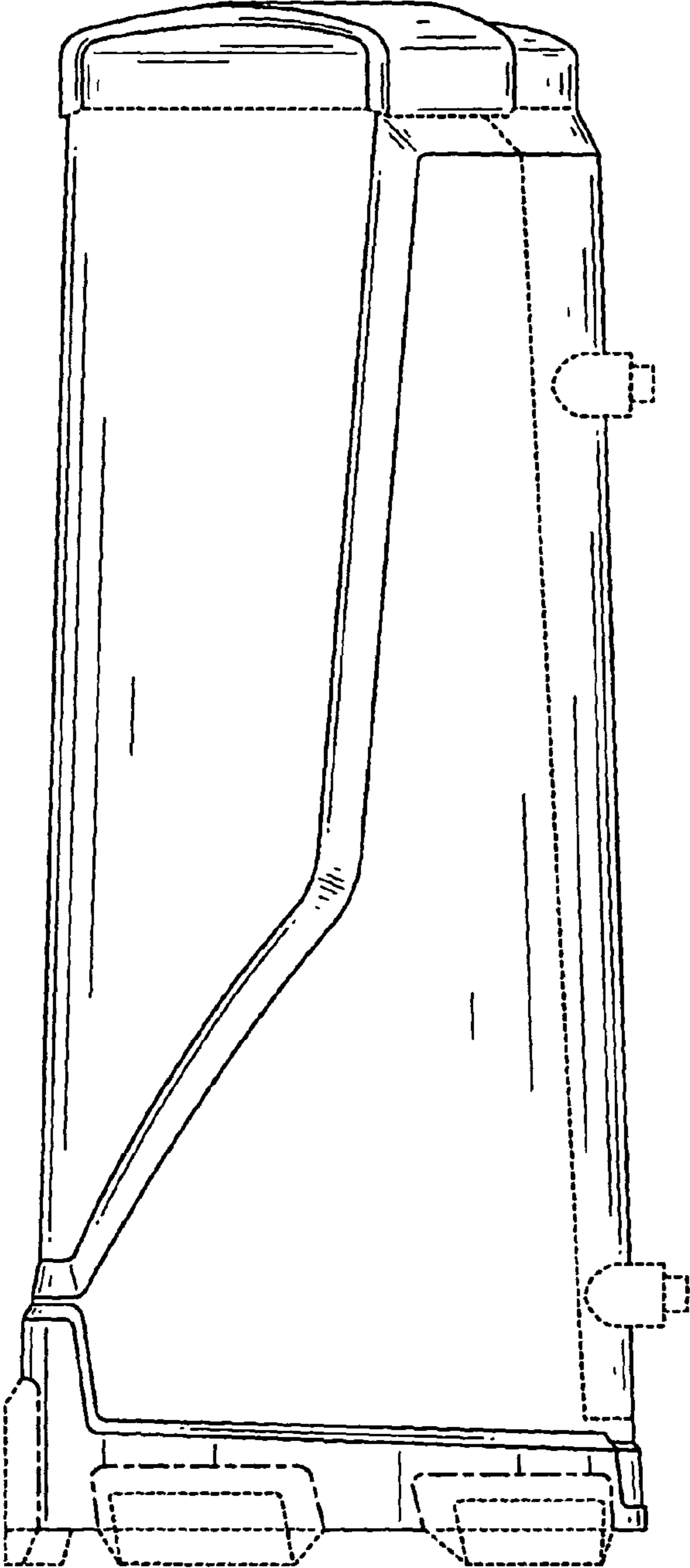


FIG. 2

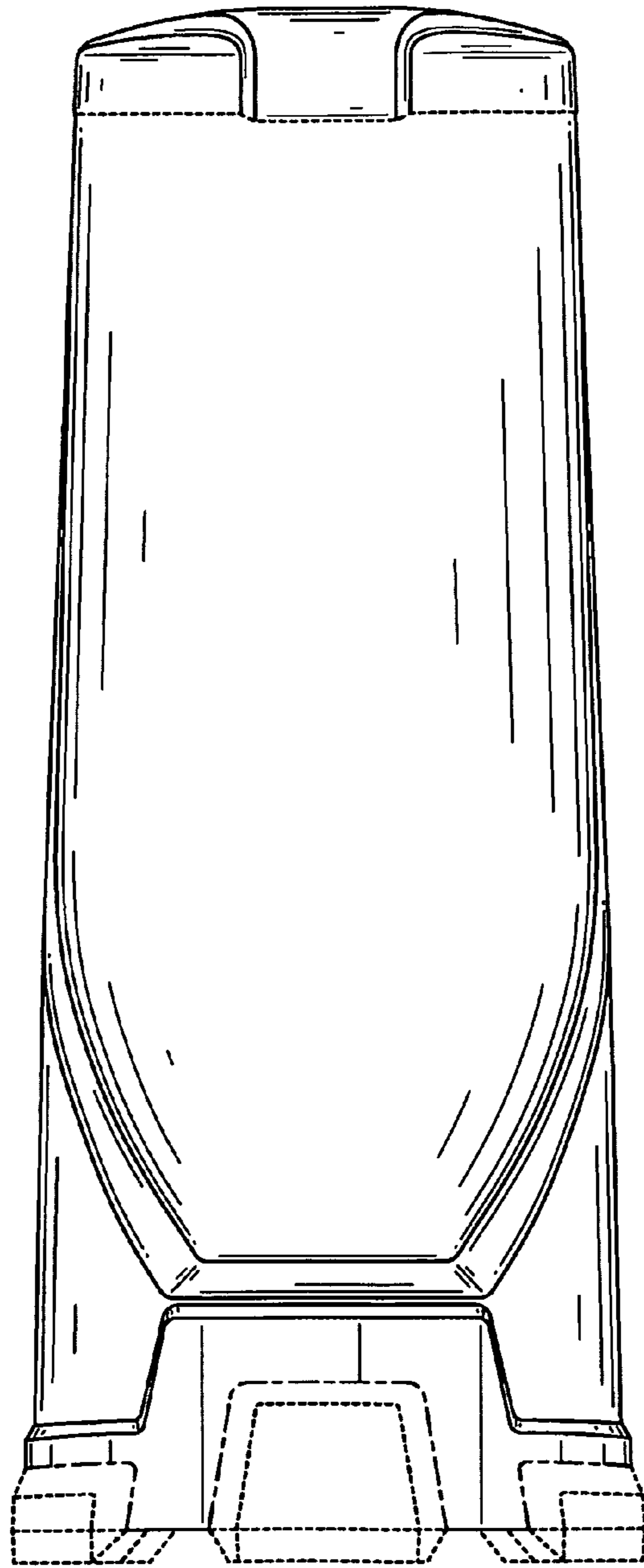


FIG. 3

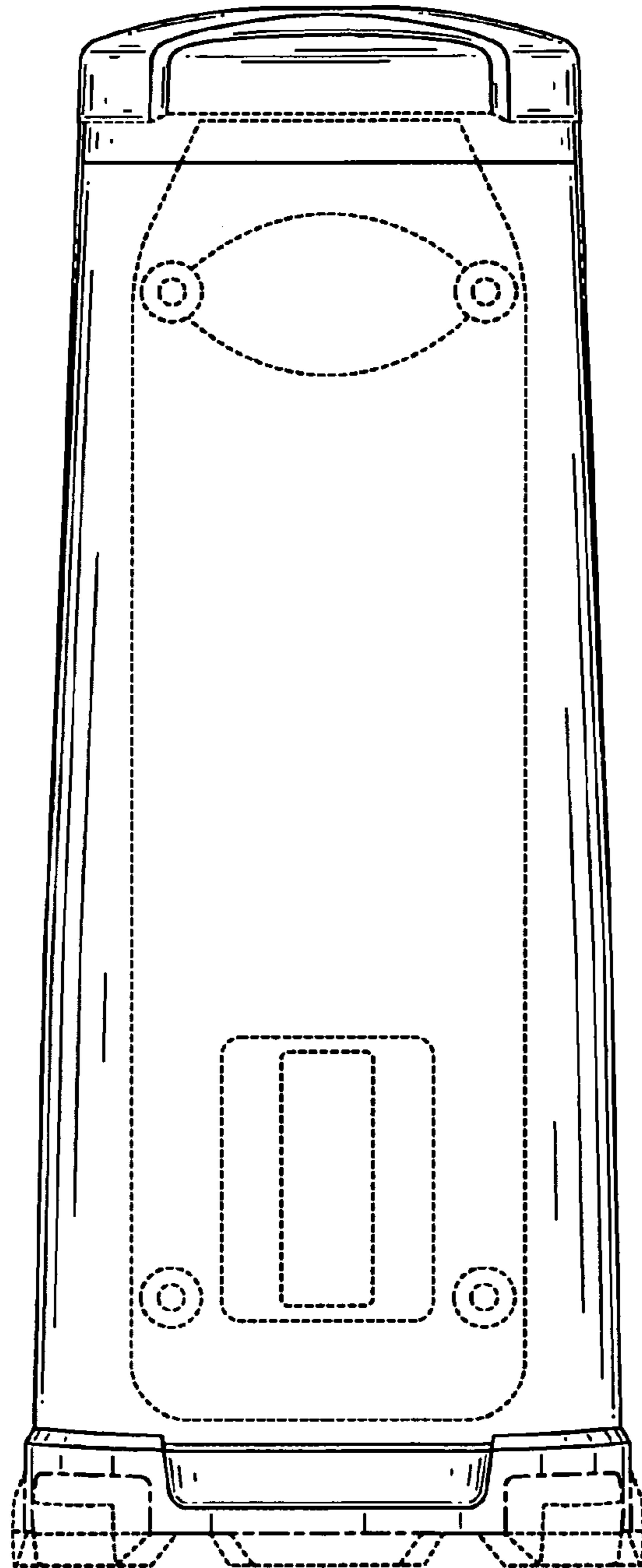


FIG. 4

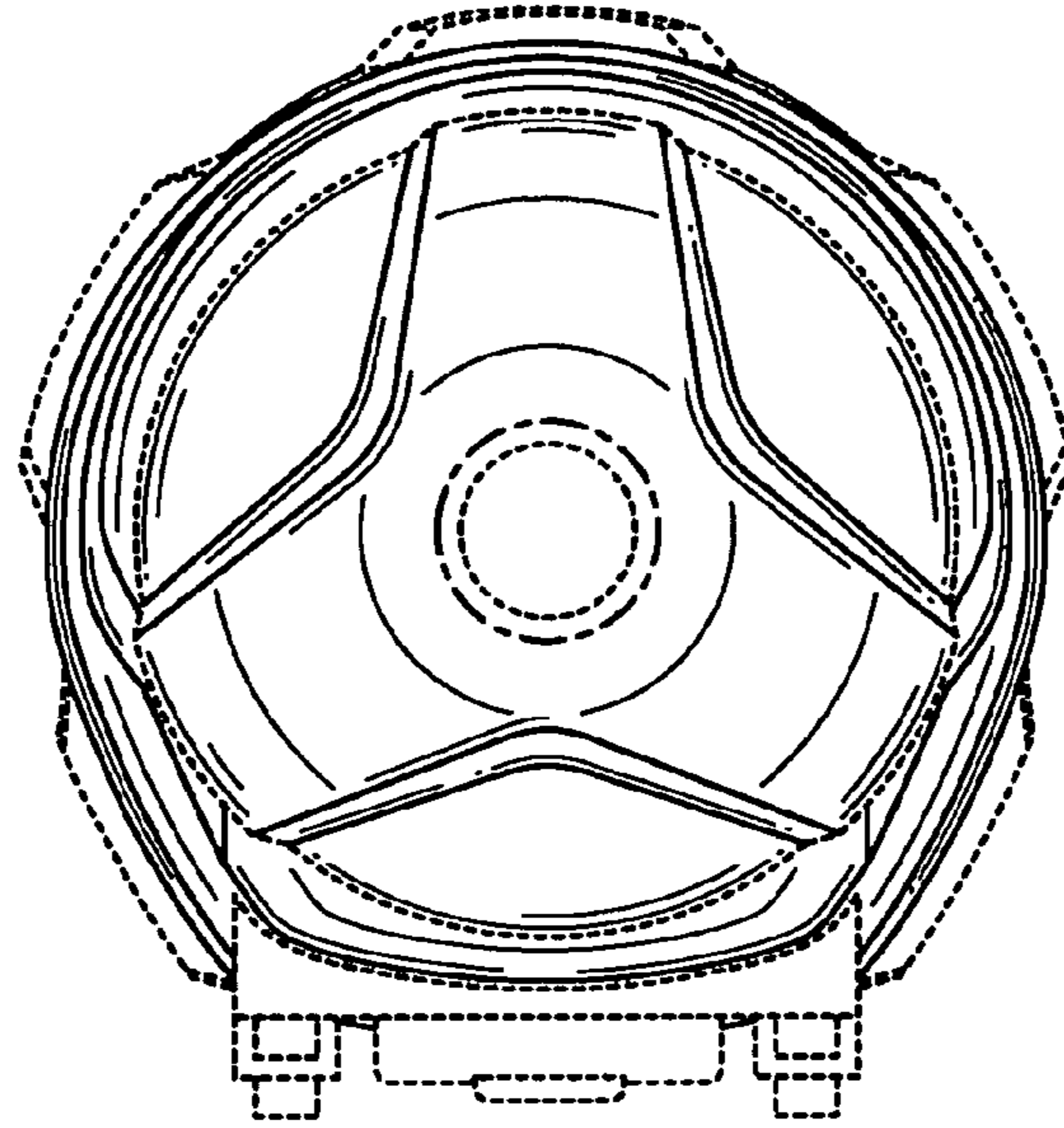


FIG. 5

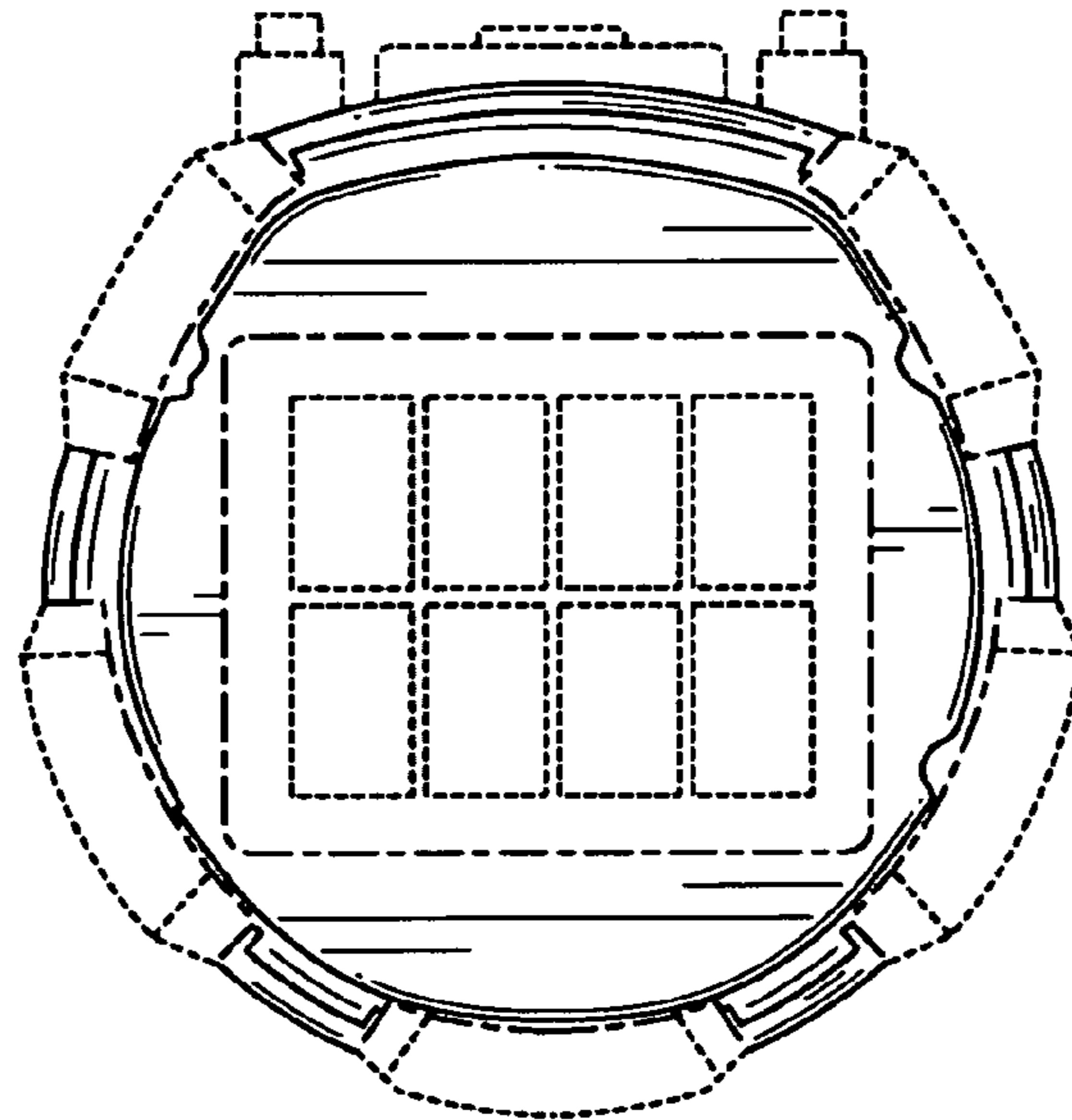


FIG. 6