

US00D696477S

(12) **United States Design Patent**  
**Eng et al.**

(10) **Patent No.:** **US D696,477 S**

(45) **Date of Patent:** **\*\* Dec. 24, 2013**

(54) **LIGHTED DISHWASHER DOOR**

(56) **References Cited**

(71) Applicant: **BSH Home Appliances Corporation**,  
Irvine, CA (US)

U.S. PATENT DOCUMENTS

(72) Inventors: **Lindsay Eng**, Long Beach, CA (US);  
**Michael Georg Rosenbauer**,  
Reimlingen (DE); **Metin Tastan**,  
Dillingen (DE); **Ralf Winkler**,  
Wittislingen (DE)

2,703,581	A	*	3/1955	Culhane	.....	134/133
D473,980	S	*	4/2003	Bowser et al.	.....	D32/3
D512,544	S	*	12/2005	Jeong et al.	.....	D32/3
D515,255	S	*	2/2006	Jeong	.....	D32/3
D544,657	S	*	6/2007	Jung et al.	.....	D32/2
D580,603	S	*	11/2008	Busalt et al.	.....	D32/3
D622,915	S	*	8/2010	Crookshanks et al.	.....	D32/3
D675,792	S	*	2/2013	Eng et al.	.....	D32/3
D677,025	S	*	2/2013	Borjesson	.....	D32/3
2011/0031856	A1	*	2/2011	Haltmayer et al.	.....	312/228

(73) Assignee: **BSH Home Appliances Corporation**,  
Irvine, CA (US)

\* cited by examiner

(\*\*) Term: **14 Years**

*Primary Examiner* — T. Chase Nelson

*Assistant Examiner* — Kathleen M Sims

(21) Appl. No.: **29/434,111**

(74) *Attorney, Agent, or Firm* — James E. Howard; Andre Pallapies

(22) Filed: **Oct. 10, 2012**

(57) **CLAIM**

The ornamental design for a lighted dishwasher door, as shown and described.

**Related U.S. Application Data**

**DESCRIPTION**

(60) Division of application No. 29/410,163, filed on Jan. 5, 2012, now Pat. No. Des. 675,792, which is a continuation-in-part of application No. 13/043,504, filed on Mar. 9, 2011.

FIG. 1 is a perspective view, from the bottom, of a lighted dishwasher door showing our new ornamental design;

FIG. 2 is a front view thereof;

FIG. 3 is a cross sectional view along lines 3-3 of the door shown in FIG. 2; and,

FIG. 4 is an enlarged view of the detail shown in FIG. 3.

(51) **LOC (9) Cl.** ..... **15-05**

(52) **U.S. Cl.**  
USPC ..... **D32/3**

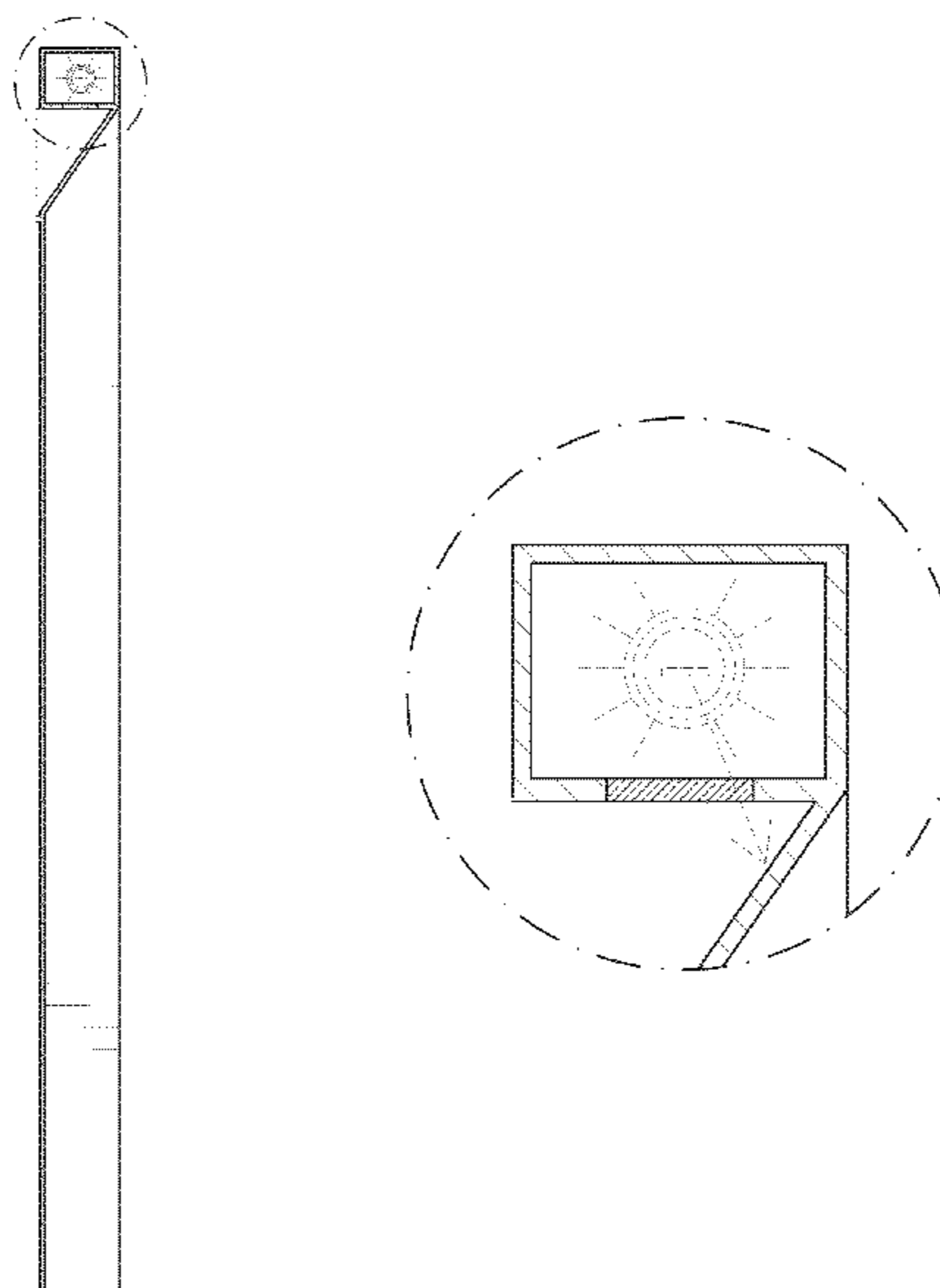
The broken lines of the dishwasher door show surrounding structure or environment and do not form part of the claimed design. The radiating broken lines in FIGS. 3 and 4 represent one or more light beams and form no part of the claimed design.

(58) **Field of Classification Search**  
USPC ..... D32/1-3, 25, 28; 312/31, 109, 228;  
134/56 D, 57 D, 58 D, 58 DL, 201;  
D7/340, 348, 349, 350, 405

The dotted lines represent the border between claimed and unclaimed subject matter and do not form a part of the claimed design.

See application file for complete search history.

**1 Claim, 3 Drawing Sheets**



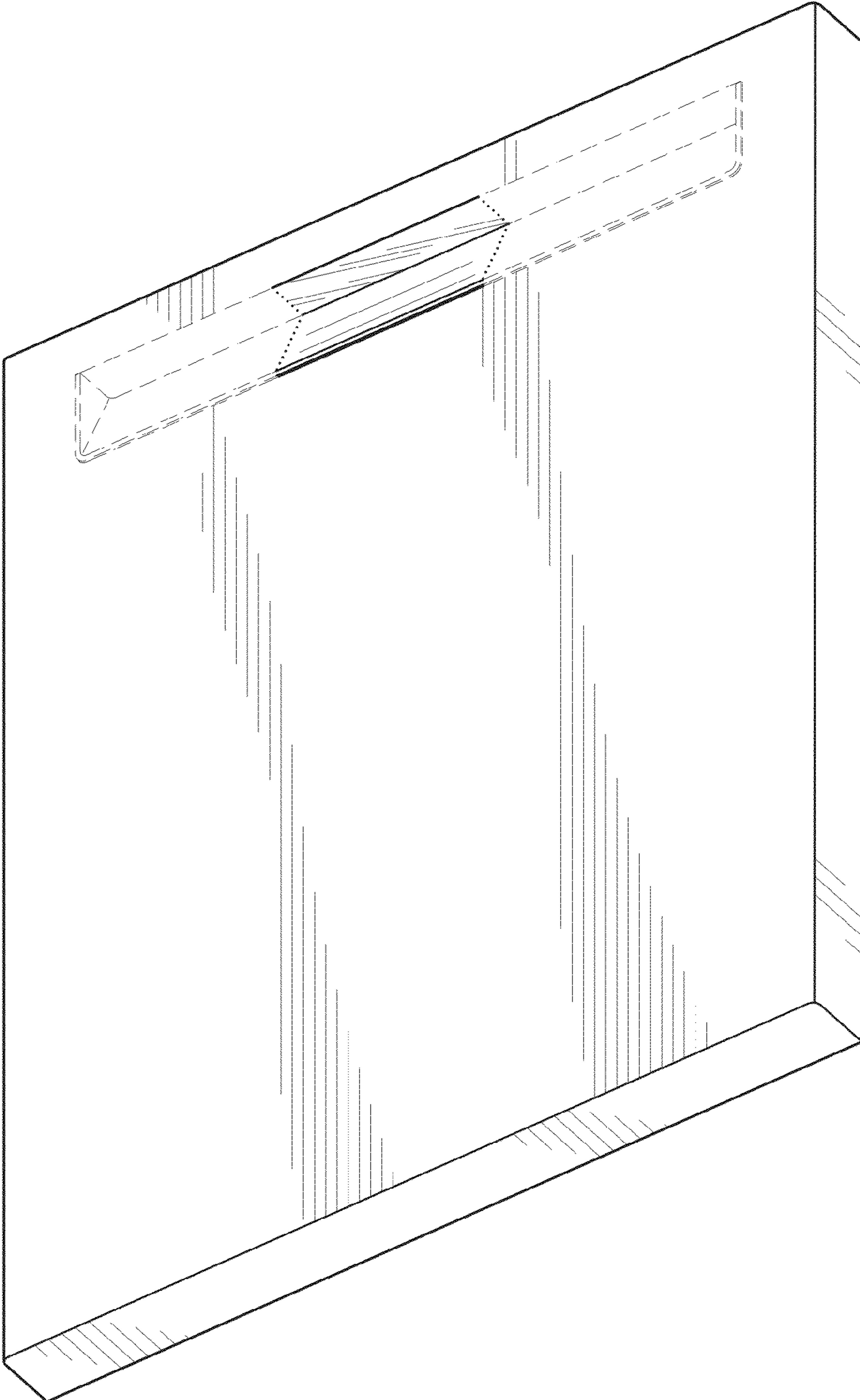


FIG. 1

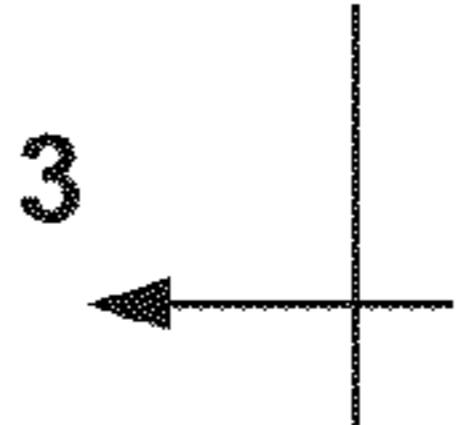
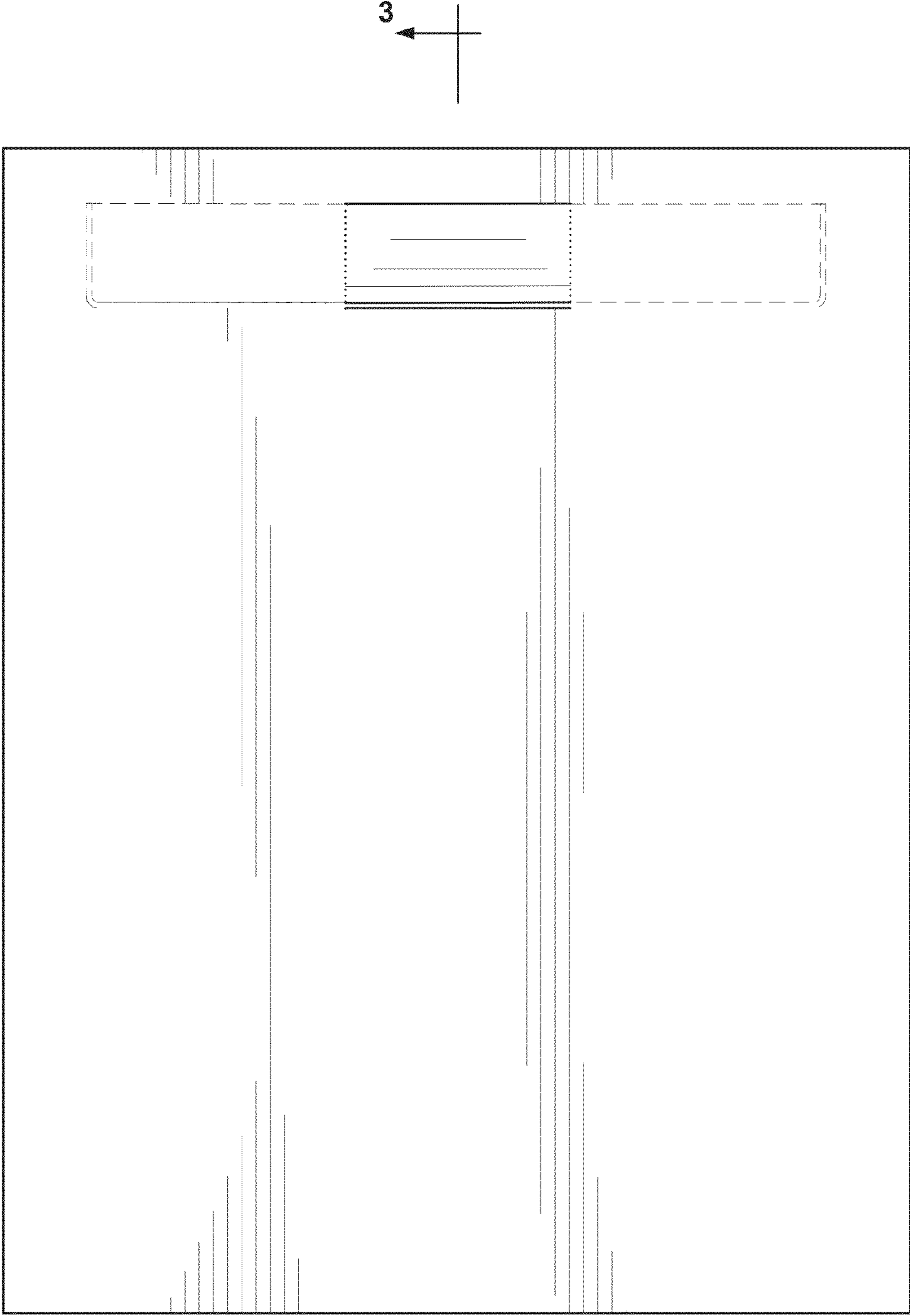
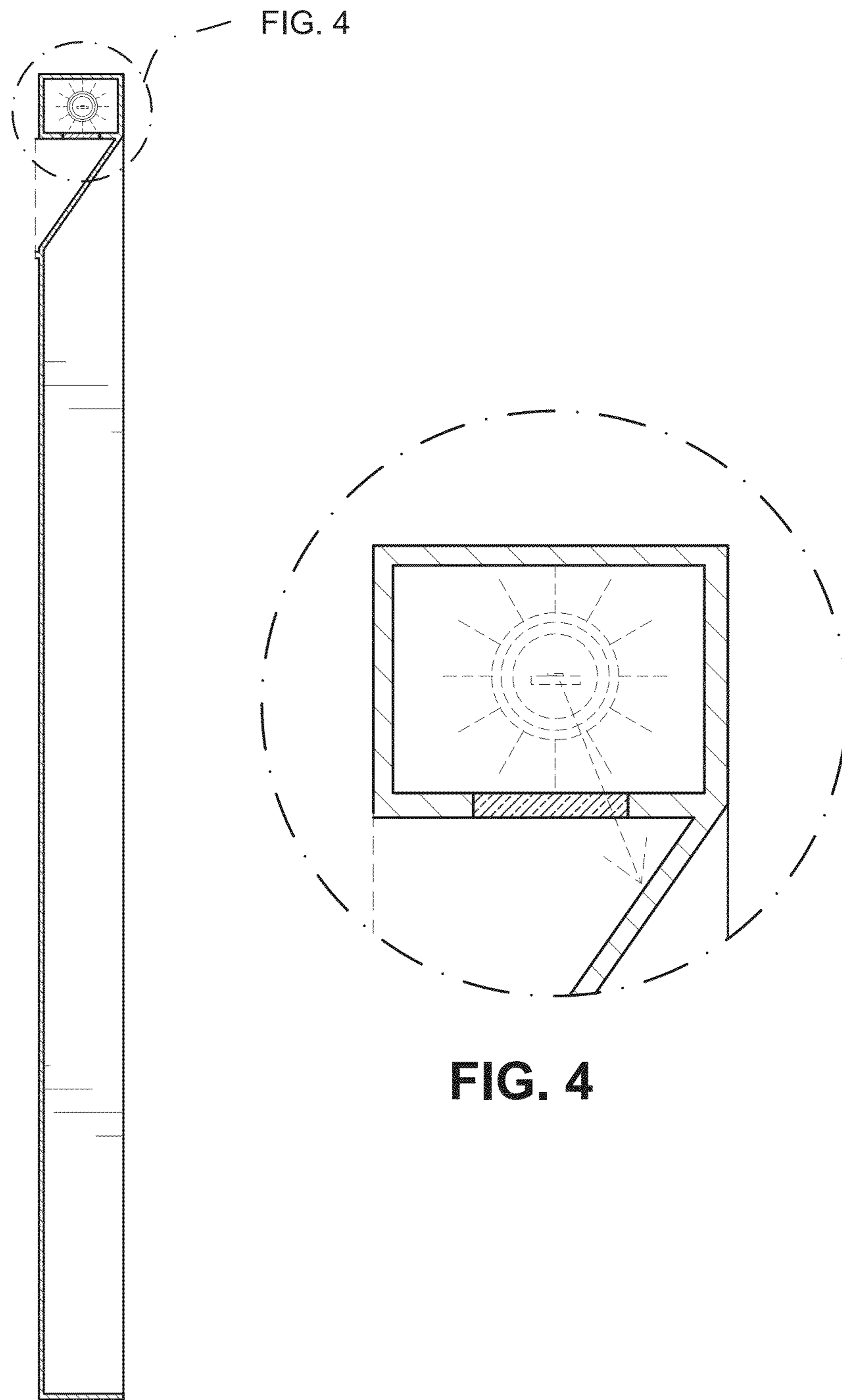


FIG. 2



**FIG. 3**

**FIG. 4**

FIG. 4