

US00D696474S

(12) **United States Design Patent**
Knutson et al.

(10) **Patent No.:** **US D696,474 S**

(45) **Date of Patent:** **** Dec. 24, 2013**

(54) **DOG BOOT**

(71) Applicants: **Don Knutson**, Wayzata, MN (US);
Mark L. Anderson, Spring Valley, WI (US)

(72) Inventors: **Don Knutson**, Wayzata, MN (US);
Mark L. Anderson, Spring Valley, WI (US)

(73) Assignee: **Mark L. Anderson**, Spring Valley, WI (US)

(**) Term: **14 Years**

(21) Appl. No.: **29/434,540**

(22) Filed: **Oct. 15, 2012**

(51) **LOC (9) Cl.** **30-01**

(52) **U.S. Cl.**
USPC **D30/146**

(58) **Field of Classification Search**
USPC D30/145, 146; 36/83, 88, 89, 104, 110, 36/111, 114, 115, 117.1-117.5, 1 R, 50.1, 36/50.5, 140; D24/192; 54/82; D2/901, D2/909-911, 947, 951, 953, 960, 907, D2/920; 602/23, 27-29, 65, 66; 168/1-3, 168/18

See application file for complete search history.

(56) **References Cited**

U.S. PATENT DOCUMENTS

D267,750 S	1/1983	Norstrom
D379,251 S	5/1997	Mezey
6,526,920 B1	3/2003	Griffin
D514,262 S	1/2006	Sabeh-Azar
D529,238 S	9/2006	Yun et al.
D542,482 S	5/2007	Krottinger
D542,483 S	5/2007	Maloney et al.
8,109,241 B2	2/2012	Wrenwood Maloney et al.
D670,453 S *	11/2012	Knutson et al. D30/146

* cited by examiner

Primary Examiner — Susan M Lee

Assistant Examiner — Linda Brooks

(74) *Attorney, Agent, or Firm* — Skinner and Associates

(57) **CLAIM**

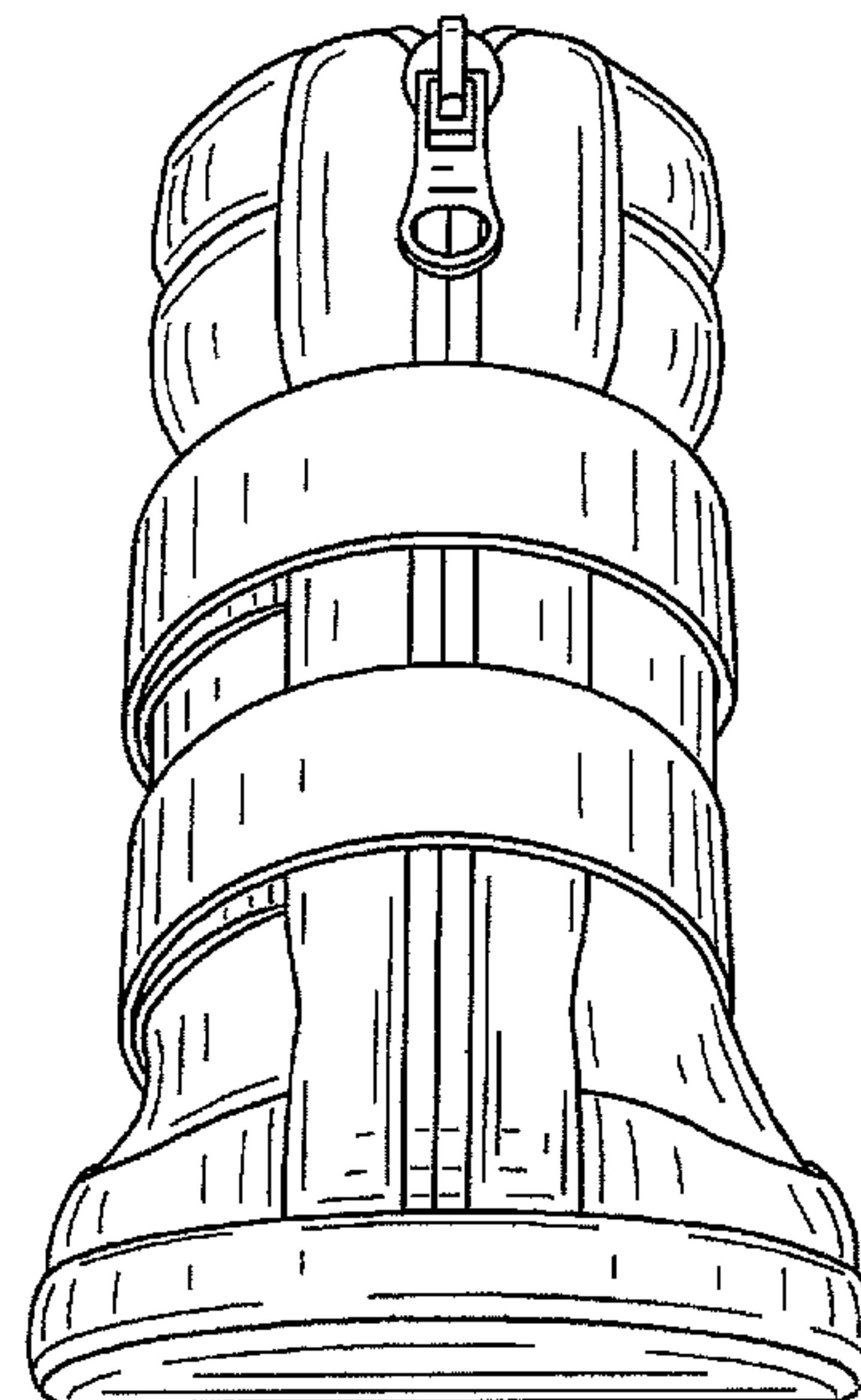
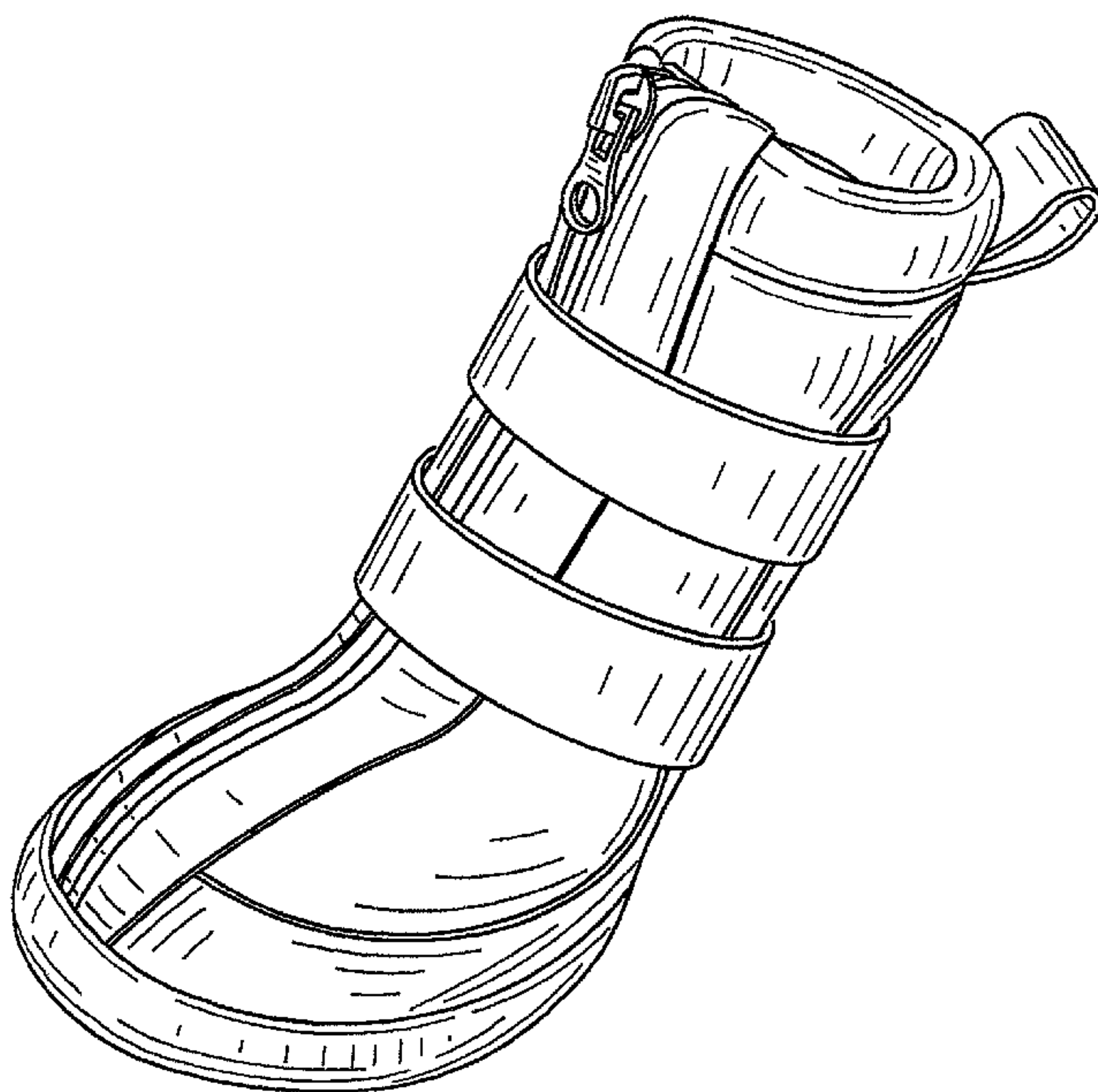
The ornamental design for a dog boot, as shown and described.

DESCRIPTION

FIG. 1 is a perspective view of a dog boot showing the design.
FIG. 2 is a side view thereof.
FIG. 3 is an opposite side view thereof.
FIG. 4 is a front view thereof.
FIG. 5 is a back view thereof.
FIG. 6 is a top view thereof; and,
FIG. 7 is a bottom view thereof.

The design is for a dog boot which is used to protect feet and pads from glass, nails, barbed wire, needles and other harmful objects.

1 Claim, 5 Drawing Sheets



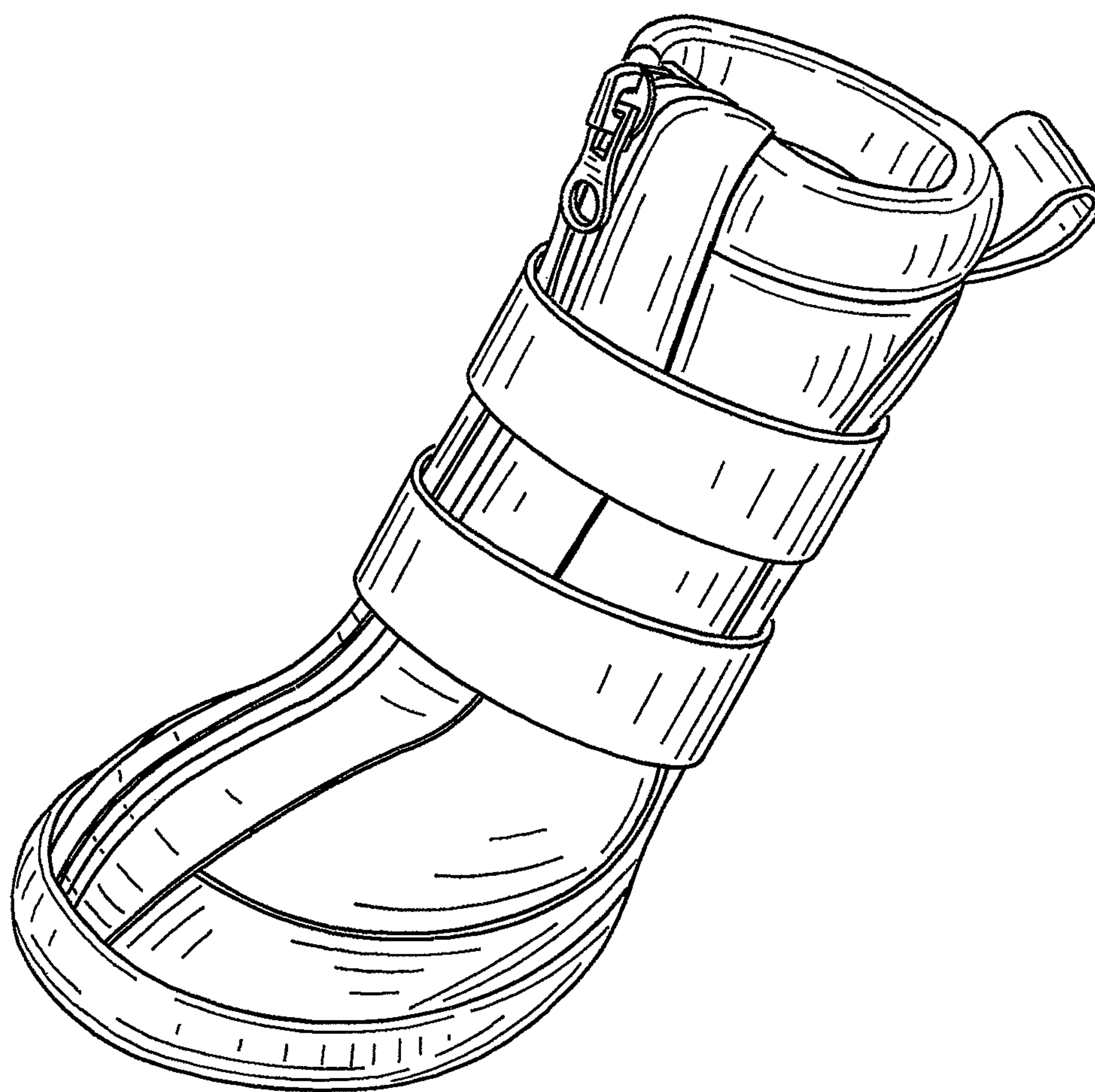


FIG. 1

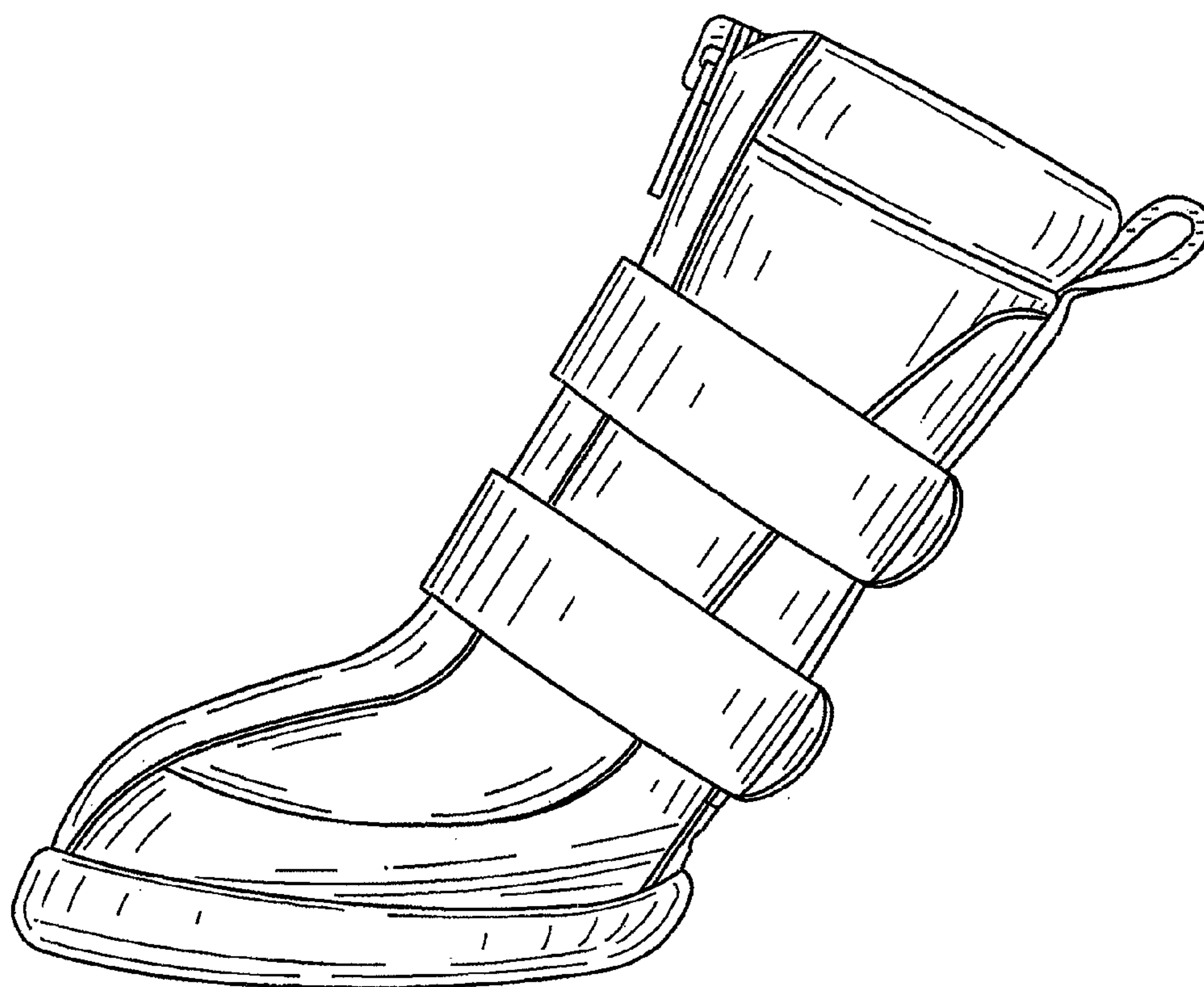


FIG. 2



FIG. 3

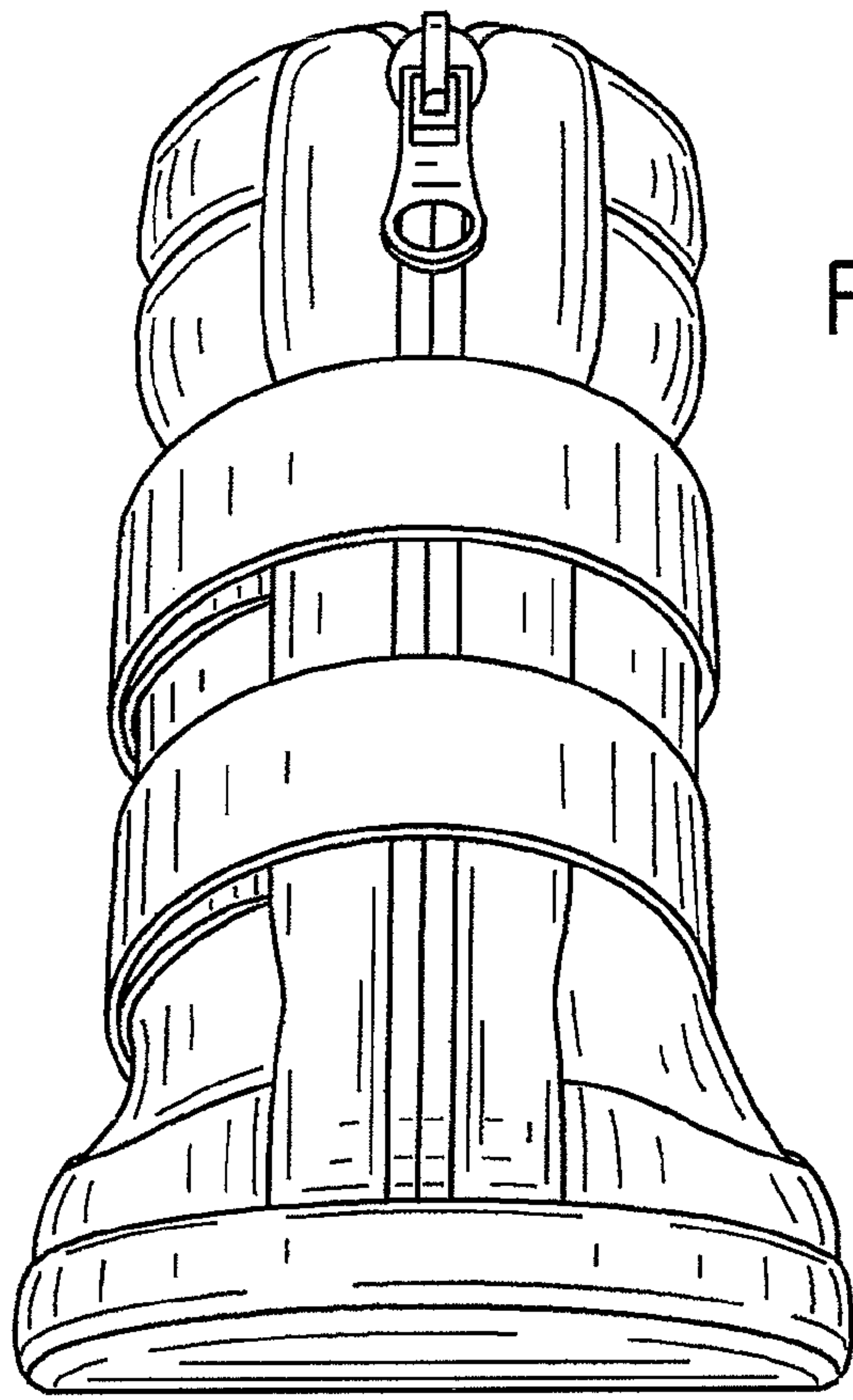


FIG. 4

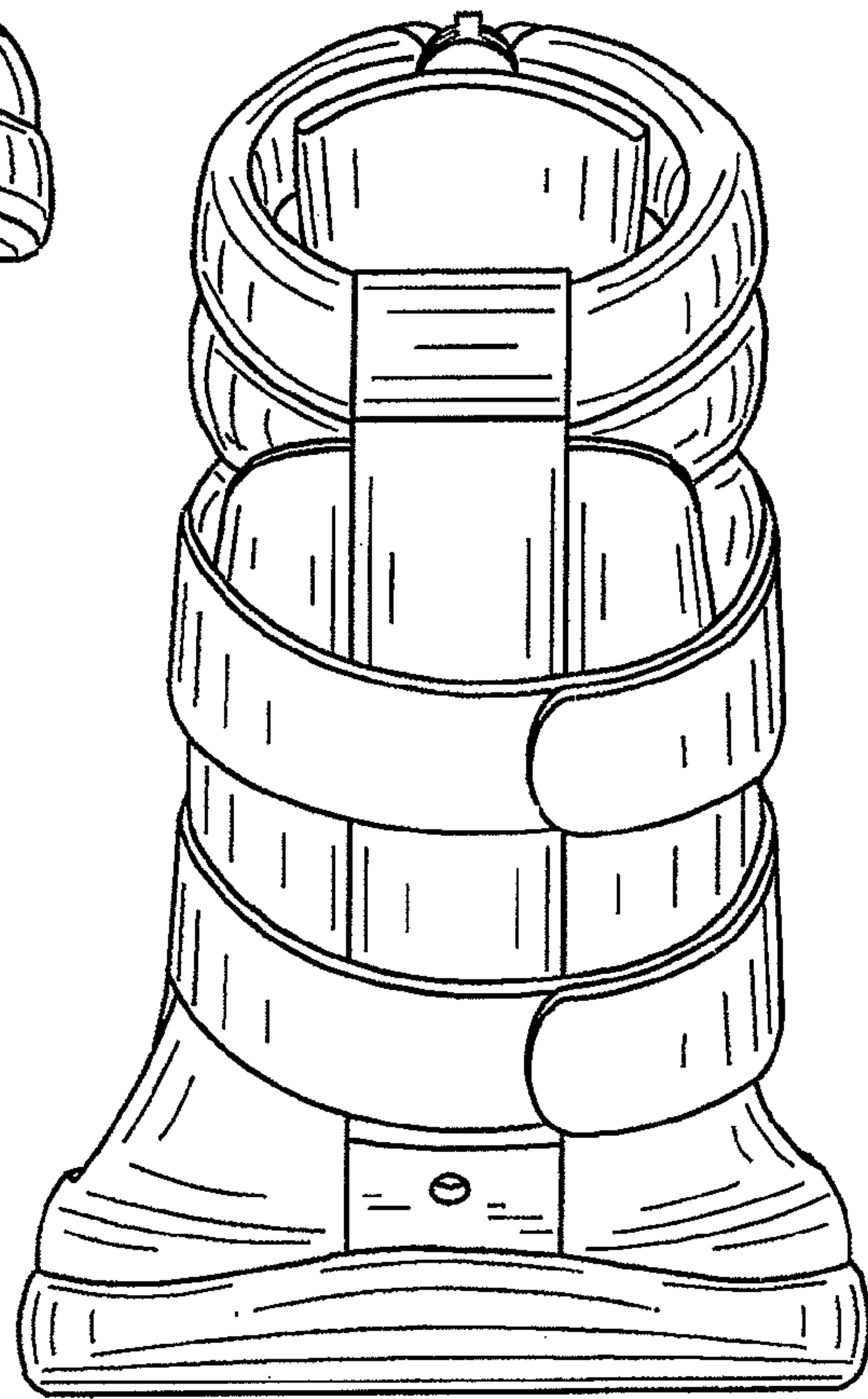


FIG. 5

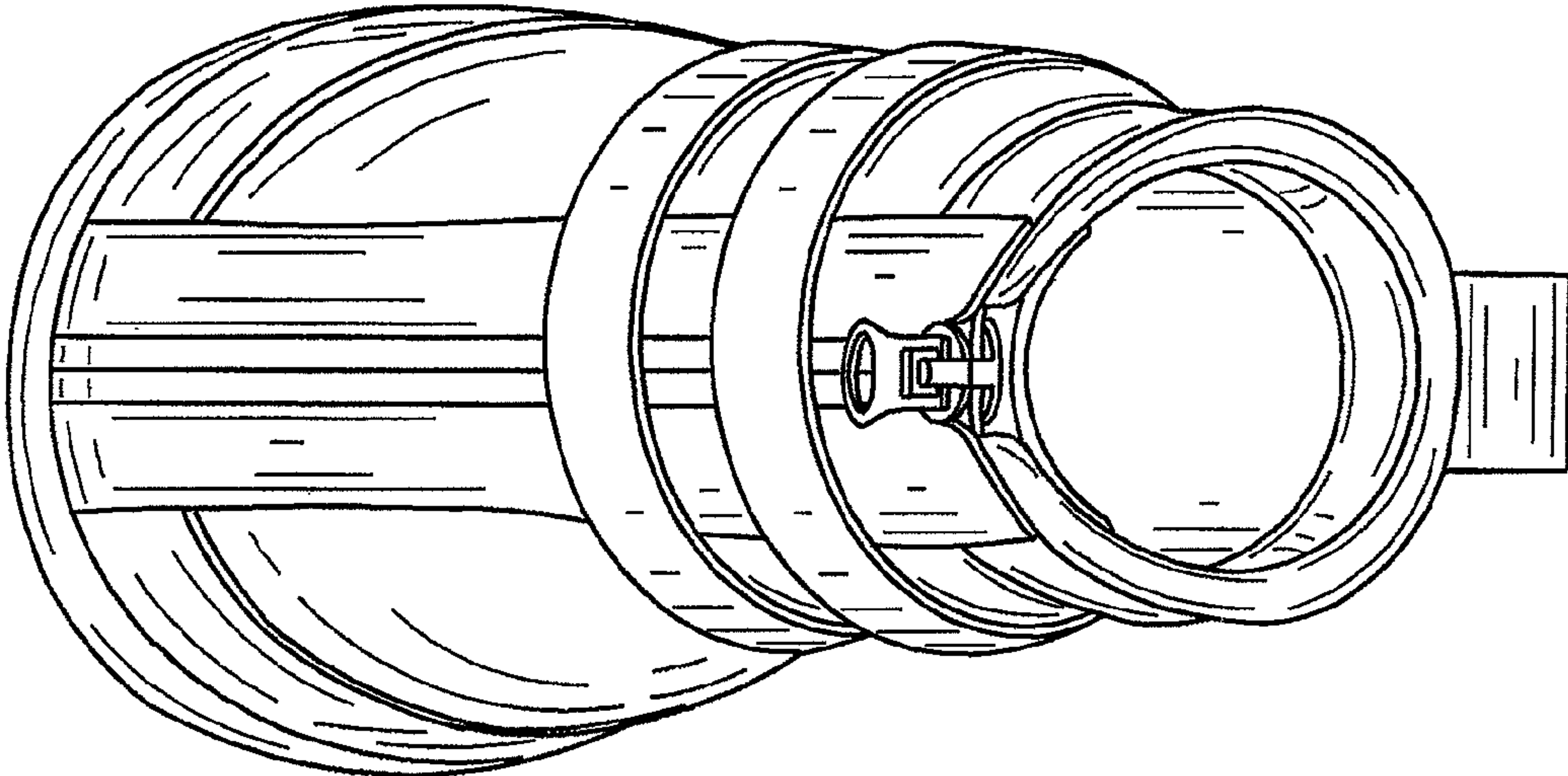


FIG. 6

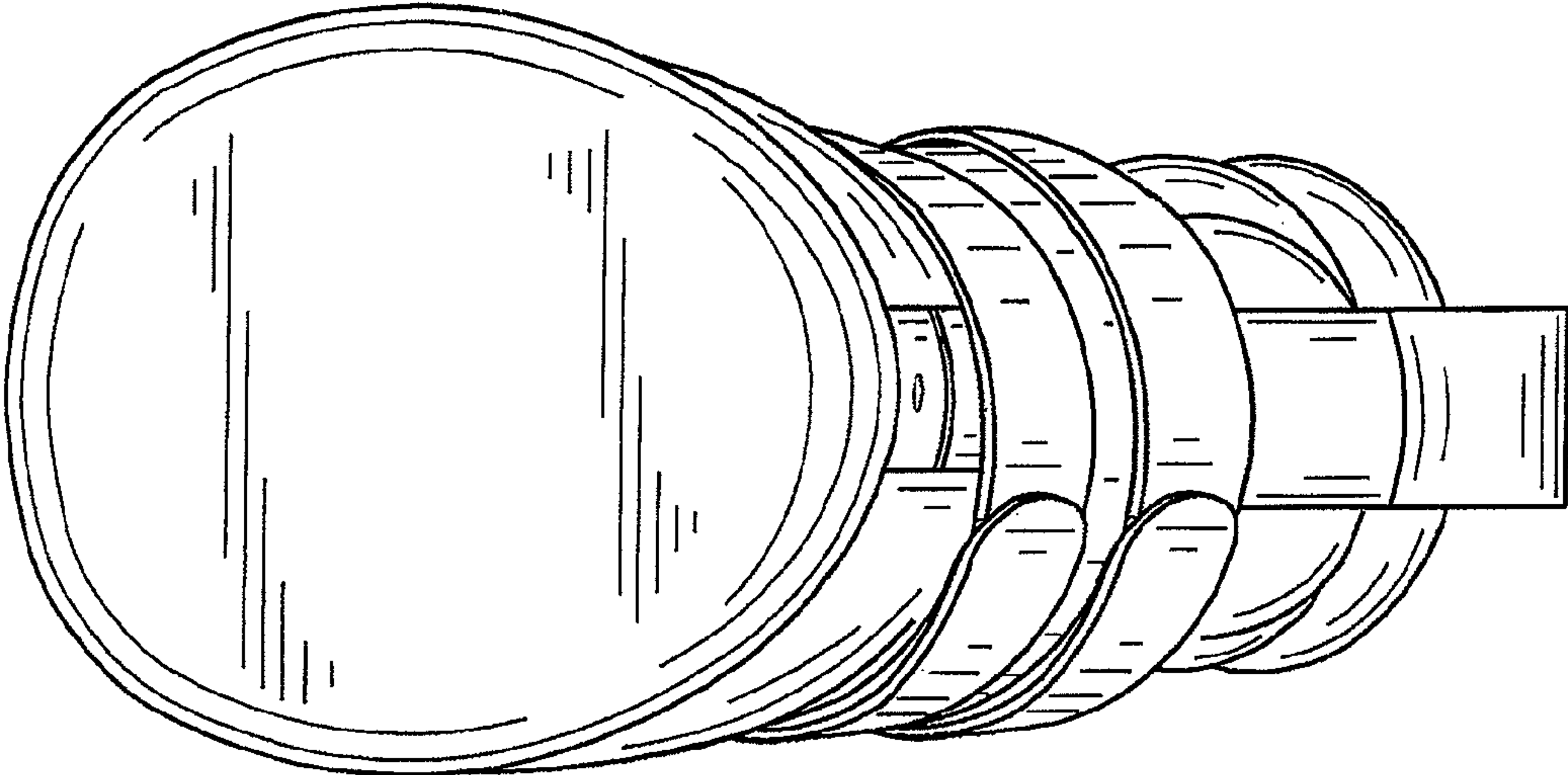


FIG. 7