



US00D696470S

(12) **United States Design Patent**
Towndrow

(10) **Patent No.:** **US D696,470 S**

(45) **Date of Patent:** **** Dec. 24, 2013**

(54) **FISH TANK**

(76) Inventor: **Gregory Towndrow**, Lunenburg (CA)

(**) Term: **14 Years**

(21) Appl. No.: **29/430,728**

(22) Filed: **Aug. 29, 2012**

(51) **LOC (9) Cl.** **30-02**

(52) **U.S. Cl.**
USPC **D30/101**

(58) **Field of Classification Search**
USPC D30/101-106; D24/123; D11/143, 145;
D6/403; D22/136, 145; D32/55;
D7/553.2, 601, 354; 47/69;
119/245-247, 253-254, 269;
220/573.1, 657; D23/284

See application file for complete search history.

(56) **References Cited**

U.S. PATENT DOCUMENTS

3,558,002 A * 1/1971 Lindgren 220/657
D233,939 S * 12/1974 Shalom D30/101
D238,688 S * 2/1976 Shalom D30/101
D254,511 S * 3/1980 Young et al. D30/101
D368,556 S * 4/1996 Rodgers D30/106

D569,676 S * 5/2008 Millsap et al. D7/354
7,775,392 B2 * 8/2010 Millsap et al. 220/573.1
D665,848 S * 8/2012 Lee D19/92

FOREIGN PATENT DOCUMENTS

CN 3427017 * 2/2005

* cited by examiner

Primary Examiner — Wan Laymon

(74) *Attorney, Agent, or Firm* — Albert Peter Durigon

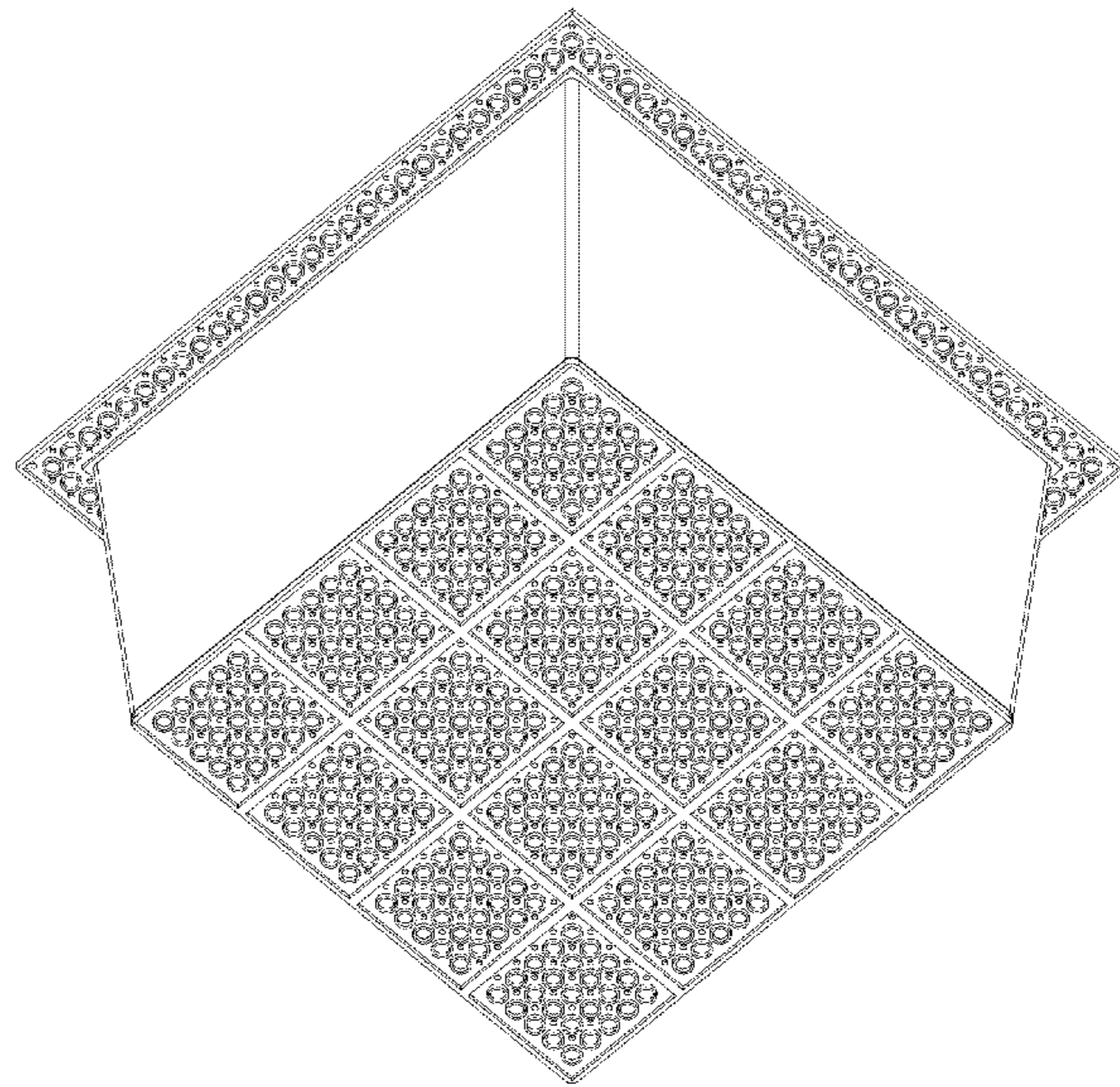
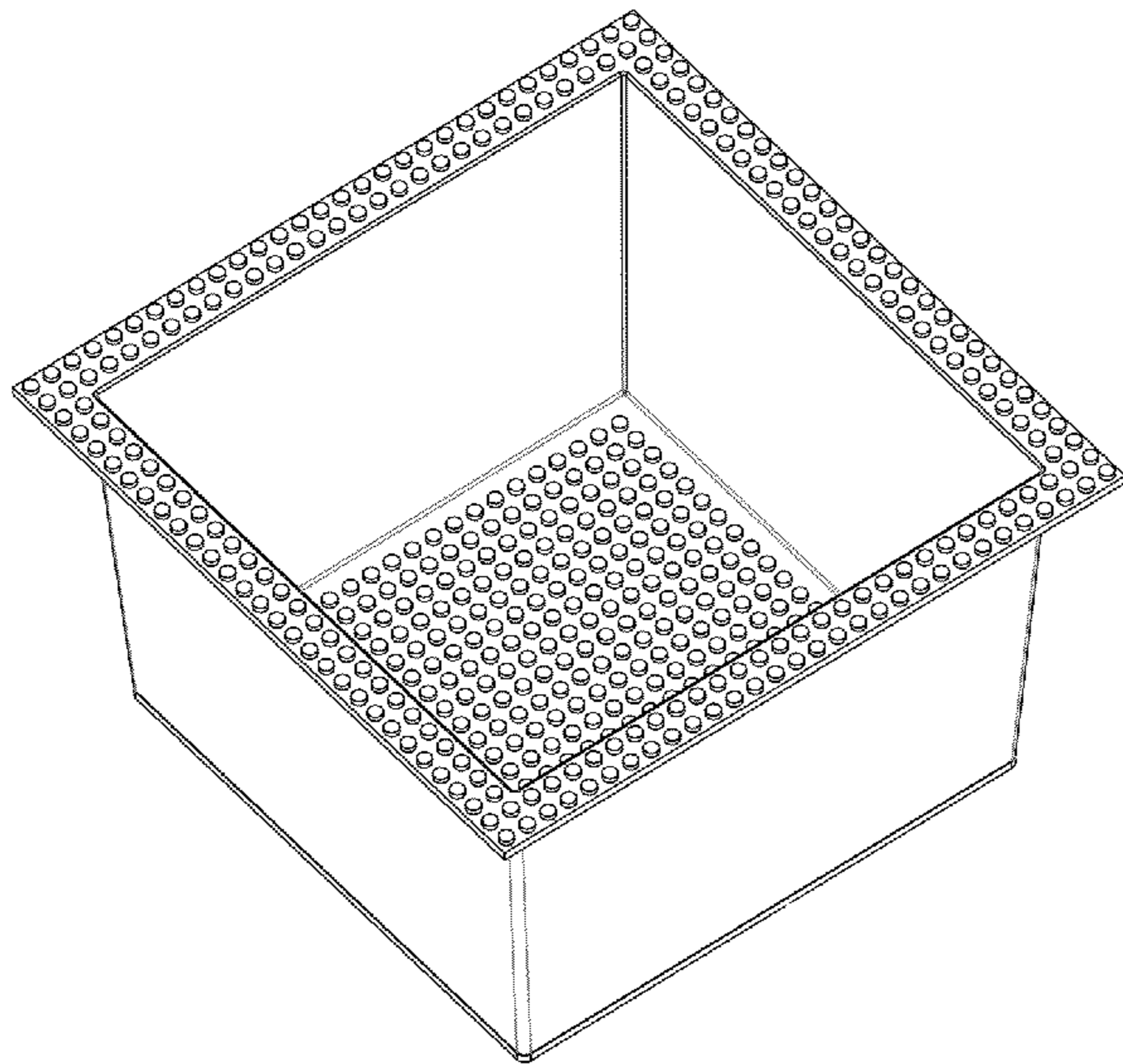
(57) **CLAIM**

The ornamental design for a fish tank, as shown and described.

DESCRIPTION

FIG. 1 is a top perspective view of the fish tank of the present invention;
FIG. 2 is a bottom perspective view of the fish tank of the present invention;
FIG. 3 is a top plan view of the fish tank of the present invention;
FIG. 4 is side view of the fish tank of the present invention, the other sides being identical; and,
FIG. 5 is a bottom plan view of the fish tank of the present invention.

1 Claim, 5 Drawing Sheets



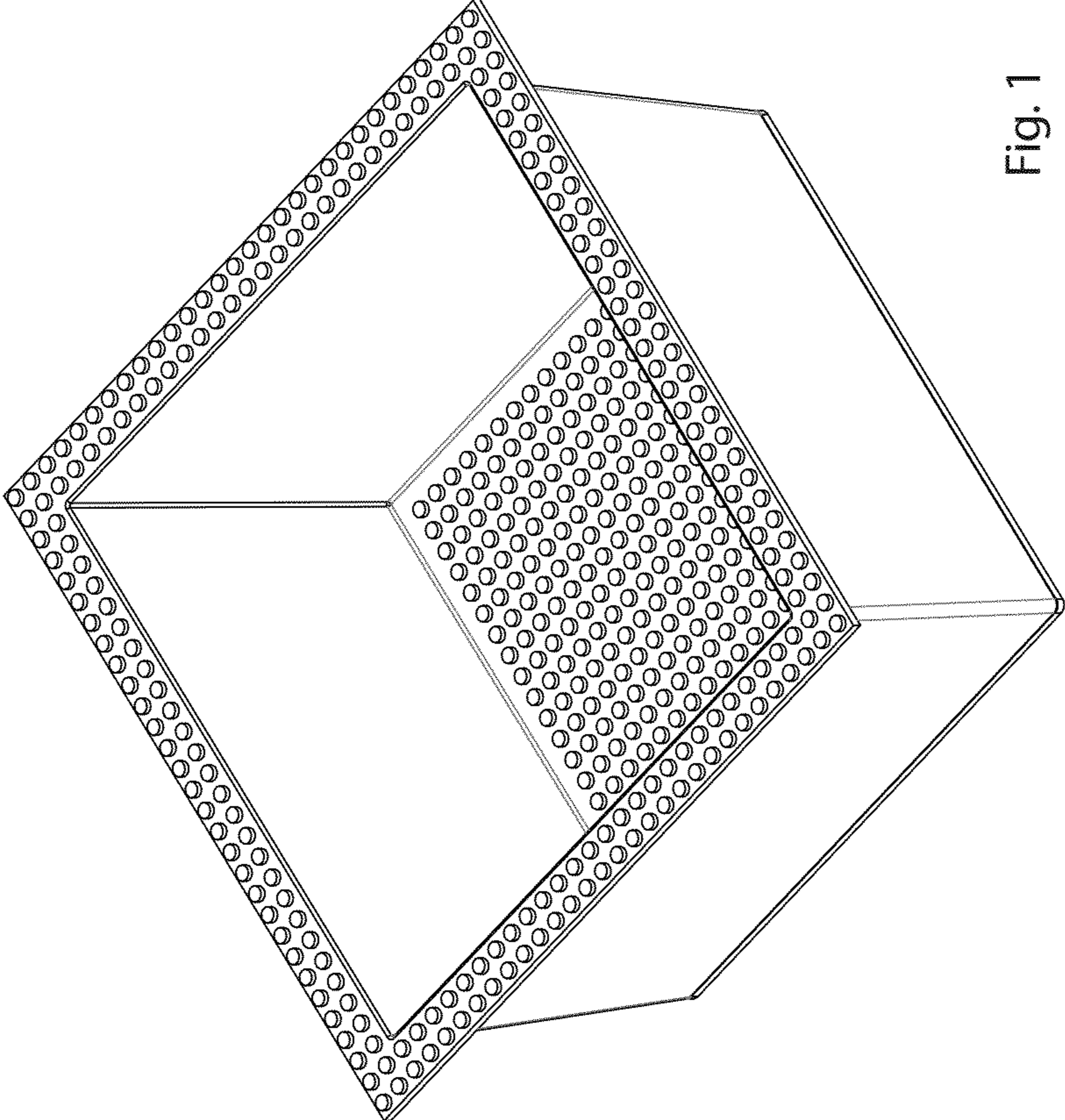


Fig. 1

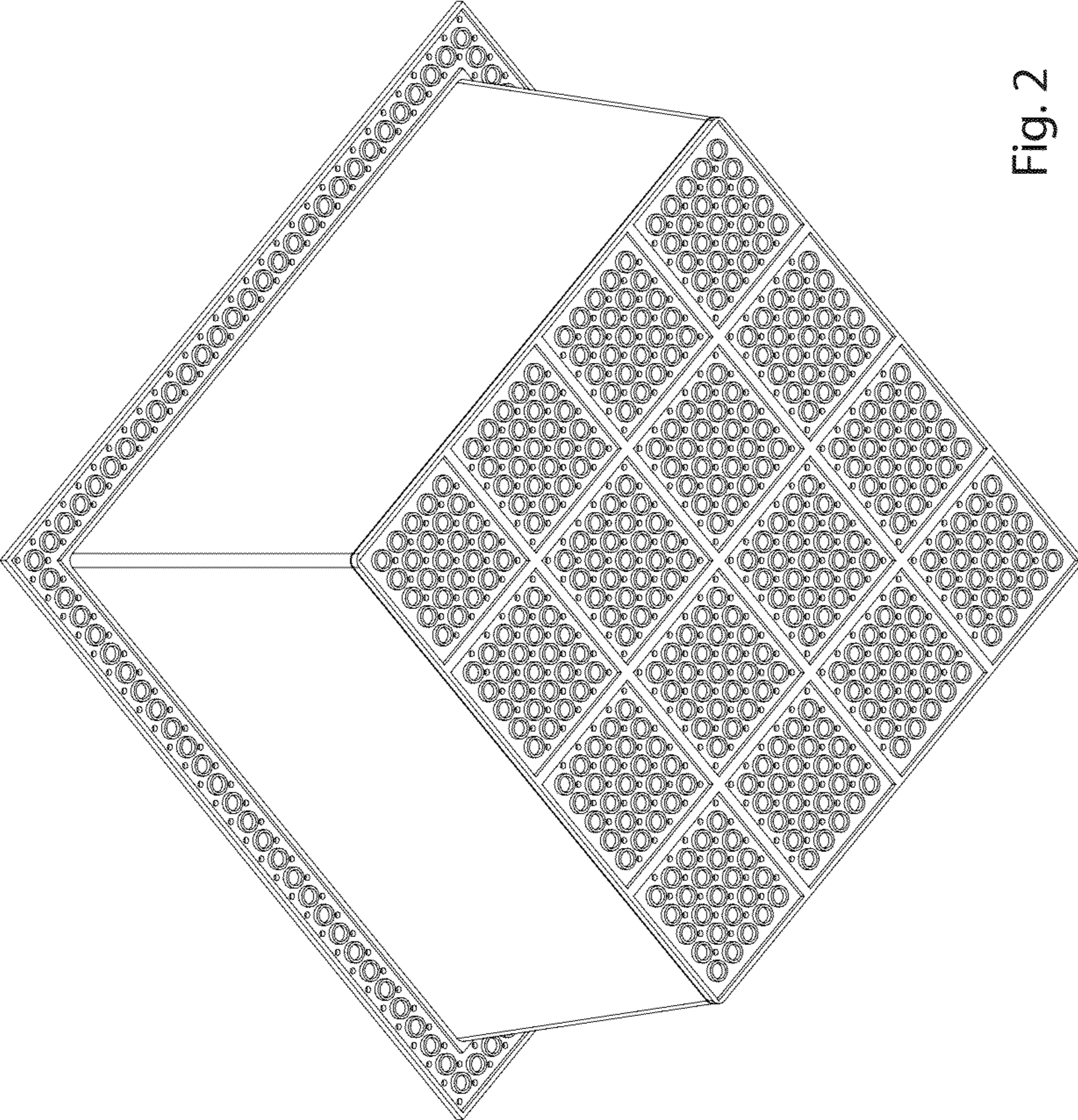


Fig. 2

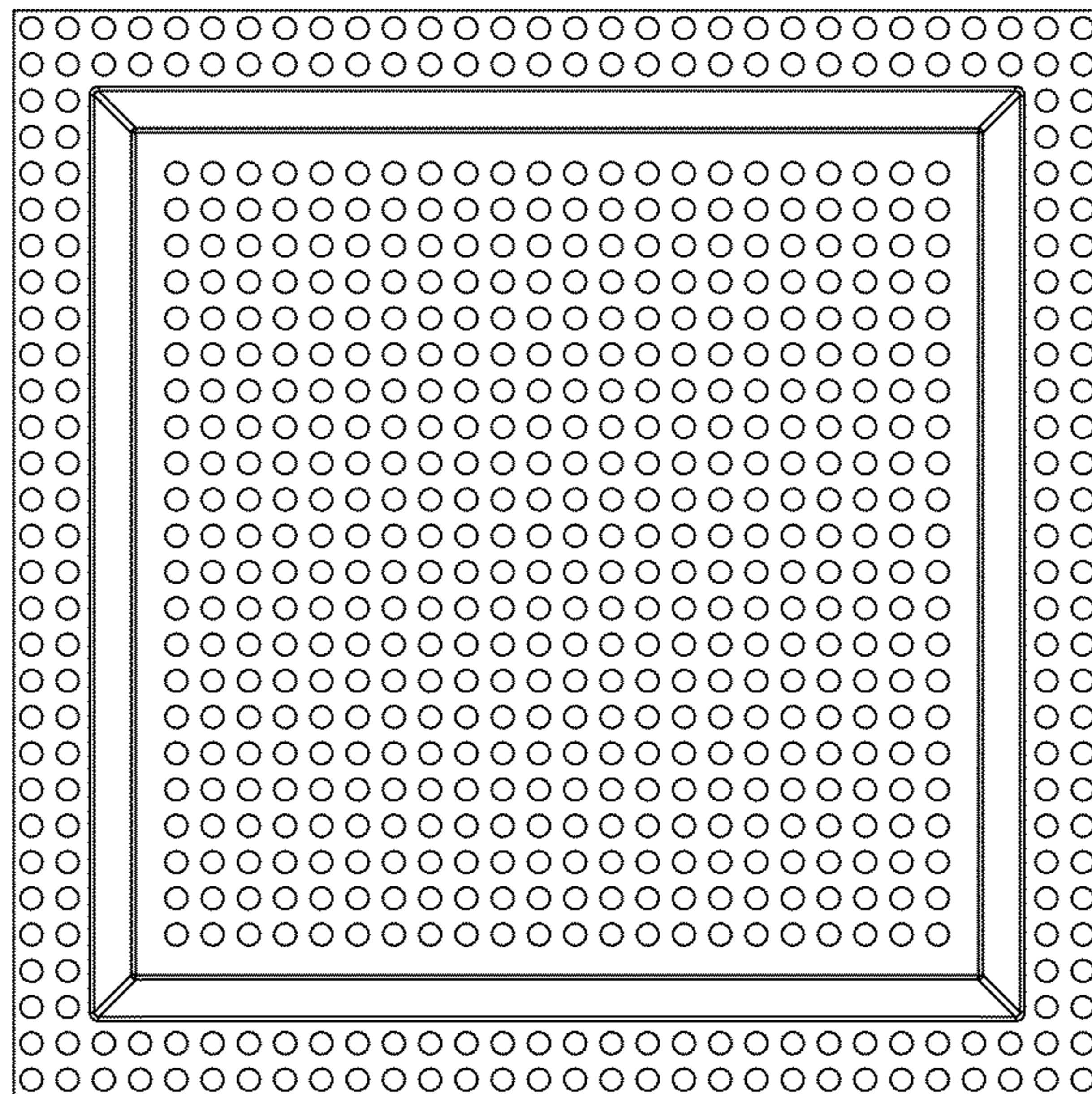


Fig. 3

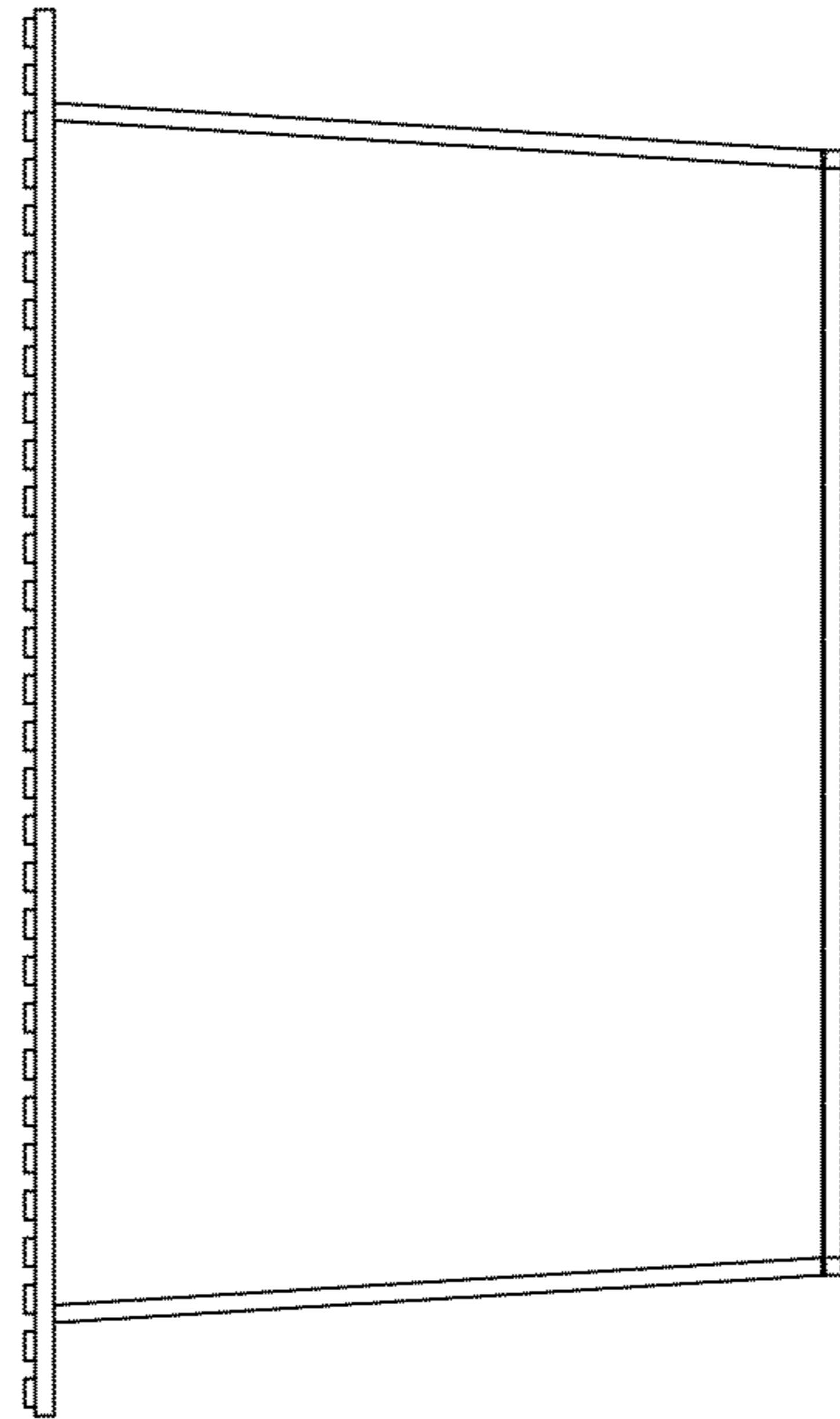


Fig. 4

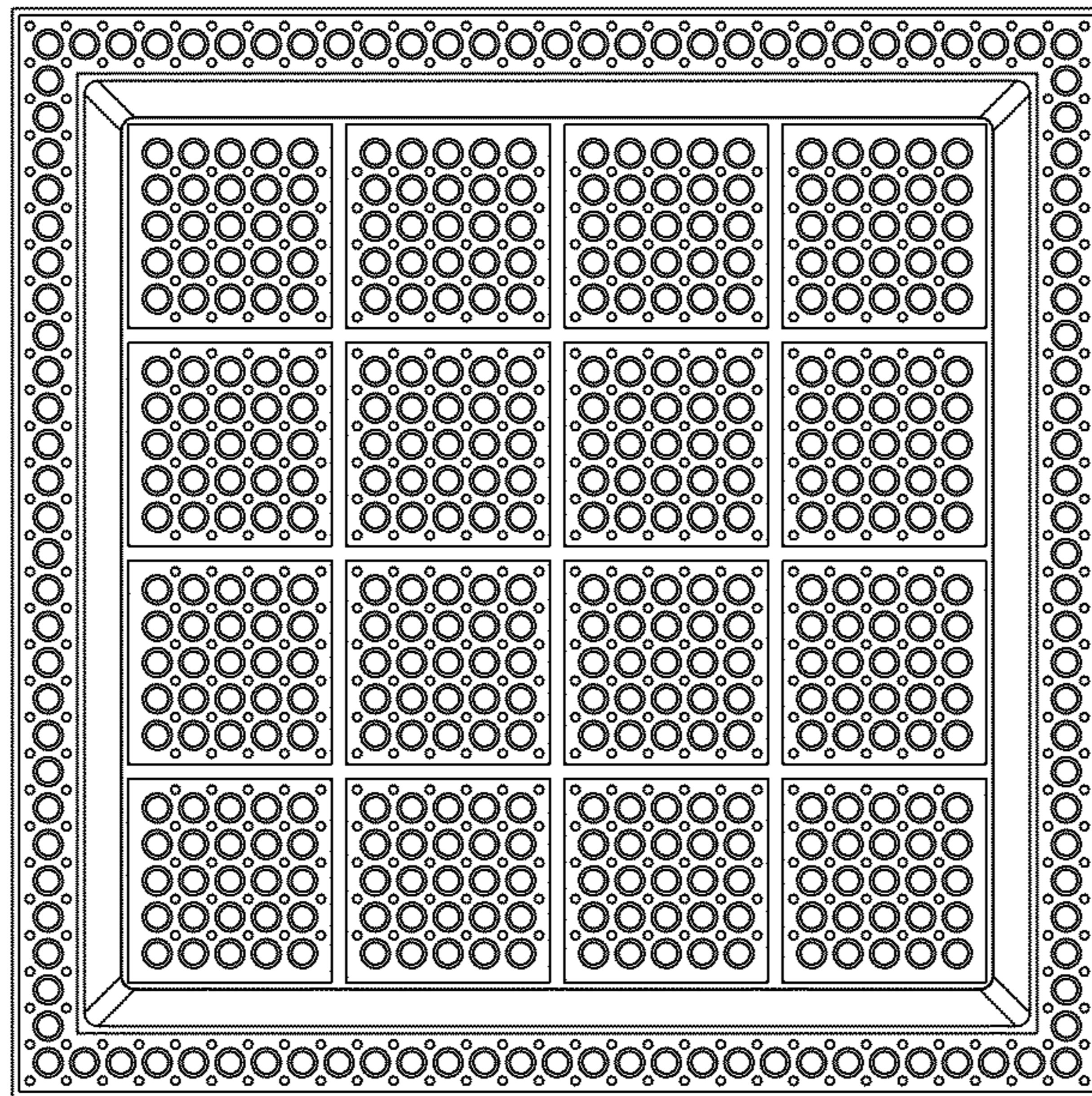


Fig. 5