



US00D696466S

(12) **United States Design Patent**
Silva

(10) **Patent No.:** **US D696,466 S**
(45) **Date of Patent:** **** Dec. 24, 2013**

(54) **SHOULDER PAD MOUNTED CLEAR HELMET**

(71) Applicant: **Frank Silva**, Eugene, OR (US)

(72) Inventor: **Frank Silva**, Eugene, OR (US)

(**) Term: **14 Years**

(21) Appl. No.: **29/449,221**

(22) Filed: **Mar. 14, 2013**

(51) **LOC (9) Cl.** **02-03**

(52) **U.S. Cl.**
USPC **D29/107**

(58) **Field of Classification Search**
USPC D29/102-110, 122; 2/200.1, 200.2, 2/202, 205, 208, 181, 171, 171.1, 171.3, 2/410-414, 416, 421-425, 427, 5, 6.1, 2/6.3, 6.5, 6.6, 6.7, 7-9, 8.2, 457, 2.11, 2/2.14, 2.15, 209.13, 206, 468; D2/875, D2/865, 869, 880, 175.6; D24/110.3, D24/110.2; 128/201.23, 201.24, 201.29, 128/202.11; D16/208; 396/429, 433; 348/373; 250/330; 345/8
See application file for complete search history.

D261,942	S *	11/1981	Sweet	D24/110.2
D272,199	S *	1/1984	Rudd	D29/107
4,455,687	A *	6/1984	Johansson	2/424
4,581,776	A *	4/1986	Kie	2/425
4,639,944	A *	2/1987	Lashley et al.	2/456
5,003,630	A *	4/1991	Bassick et al.	2/2.11
D320,868	S *	10/1991	Kumagai et al.	D24/110.3
D332,843	S *	1/1993	Kaburaki	D24/110.3
D354,375	S *	1/1995	Lechner	D29/107
D382,084	S *	8/1997	Ferroni	D24/110.3
5,697,108	A *	12/1997	Culbertson, Jr.	2/457
D397,519	S *	8/1998	Crupi et al.	D29/107
D402,415	S *	12/1998	Widgery	D29/107
D408,946	S *	4/1999	Baudou	D24/110.3
5,946,719	A *	9/1999	Crupi et al.	2/6.5

(Continued)

OTHER PUBLICATIONS

“Interstitial space marking apparatus for enhancing spatial perception”. Retrieved from “<http://www.johannaschmeer.com/#interstitial-space>”. Retrieved from Internet on Aug. 20, 2013. No wayback machine retrieval.*

Primary Examiner — Ruth McInroy

(57) **CLAIM**
I claim the ornamental design for a shoulder pad mounted clear helmet, as shown and described.

DESCRIPTION

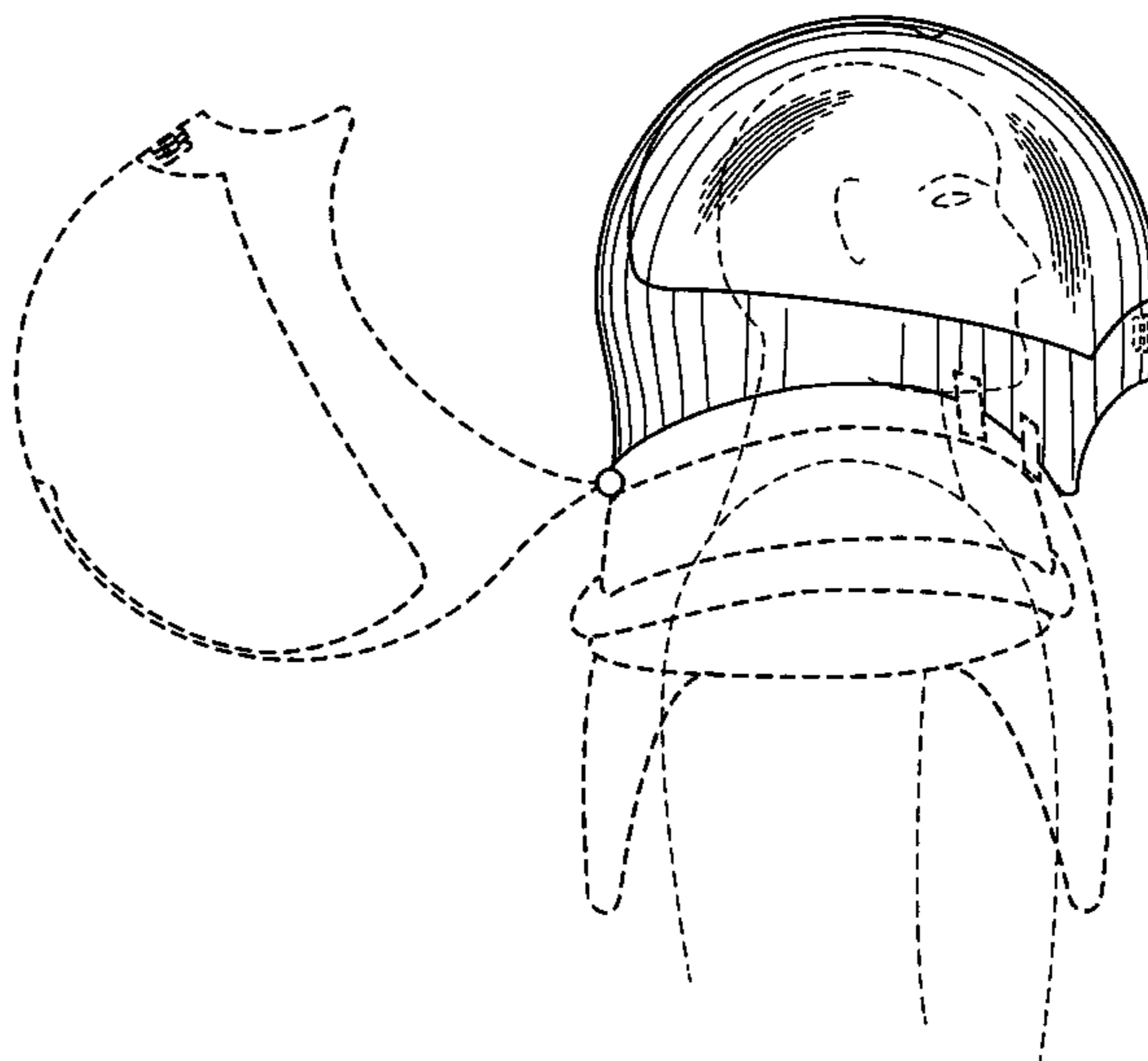
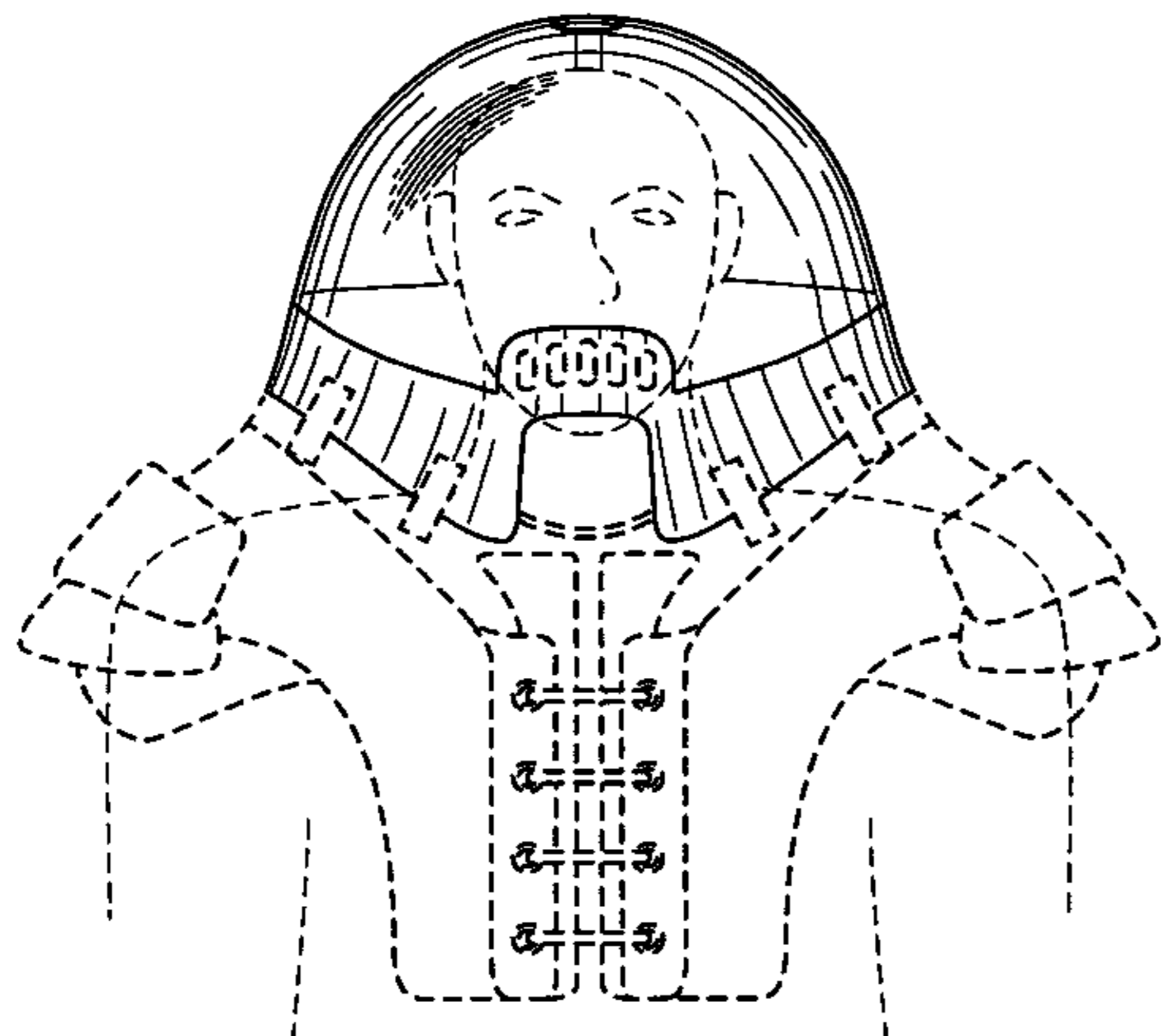
FIG. 1 is a front view of a shoulder pad mounted clear helmet showing my new design;
FIG. 2 is a rear view thereof;
FIG. 3 is a top view thereof;
FIG. 4 is a bottom view thereof;
FIG. 5 is a right side view thereof, the left side being a mirror image; and,
FIG. 6 is a side view of FIG. 5 showing the unclaimed portion of the helmet in an open position.
The details shown in broken lines are for illustrative purposes only and form no part of the claimed design.

1 Claim, 4 Drawing Sheets

(56) **References Cited**

U.S. PATENT DOCUMENTS

2,988,749	A *	6/1961	Crouzet	2/205
3,034,131	A *	5/1962	Lent	2/2.14
3,127,616	A *	4/1964	Schueller	2/6.5
3,366,972	A *	2/1968	Wise et al.	2/6.3
3,428,960	A *	2/1969	Schueller	2/2.14
3,458,864	A *	8/1969	Austin et al.	2/5
3,502,074	A *	3/1970	Jones et al.	128/202.11
3,535,706	A *	10/1970	Aileo	2/5
D226,251	S *	2/1973	Raschke	D29/105
3,922,721	A *	12/1975	Gales et al.	2/423
3,978,525	A *	9/1976	Bothwell	2/424
4,091,465	A *	5/1978	Webbon et al.	2/2.11
D261,073	S *	10/1981	Spruill et al.	D24/110.3



(56)

References Cited

U.S. PATENT DOCUMENTS

6,067,665 A * 5/2000 DePalma et al. 2/468
6,240,567 B1 * 6/2001 Johnston 2/202
6,460,198 B1 * 10/2002 Dilworth et al. 2/457
6,591,430 B1 * 7/2003 Sledge 2/468
6,751,807 B2 * 6/2004 Klotz et al. 2/171.3

D510,644 S * 10/2005 Batstone D29/107
D517,740 S * 3/2006 Kalaam et al. D29/107
D547,442 S * 7/2007 Hine et al. D24/110.3
7,251,841 B2 * 8/2007 Corsini 2/424
7,421,744 B1 * 9/2008 Farrell 2/423
2009/0158509 A1 * 6/2009 Ghajar 2/422
2011/0094020 A1 * 4/2011 Brookman 2/457
2012/0260388 A1 * 10/2012 Thomas 2/2.11

* cited by examiner

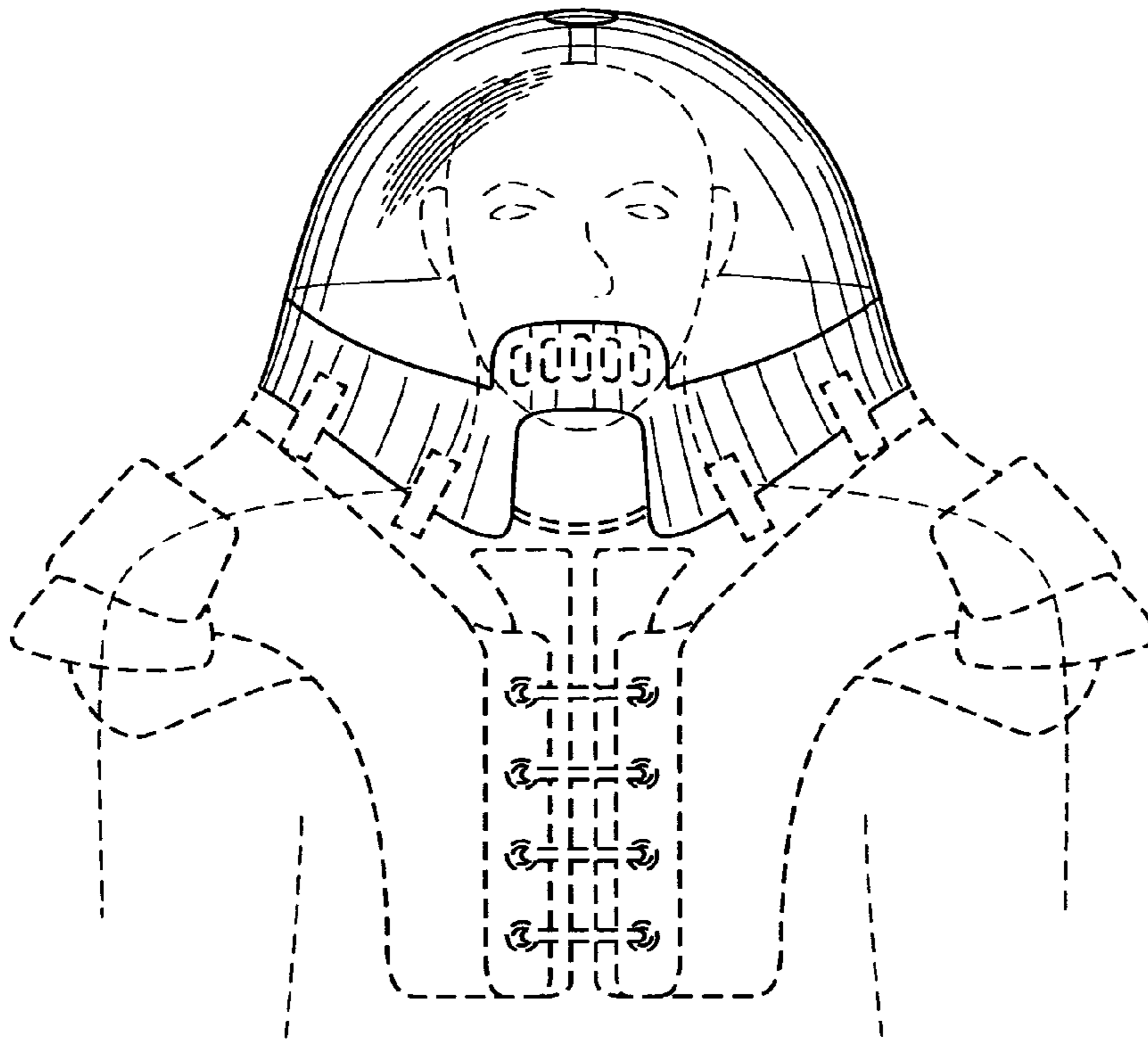


FIG. 1

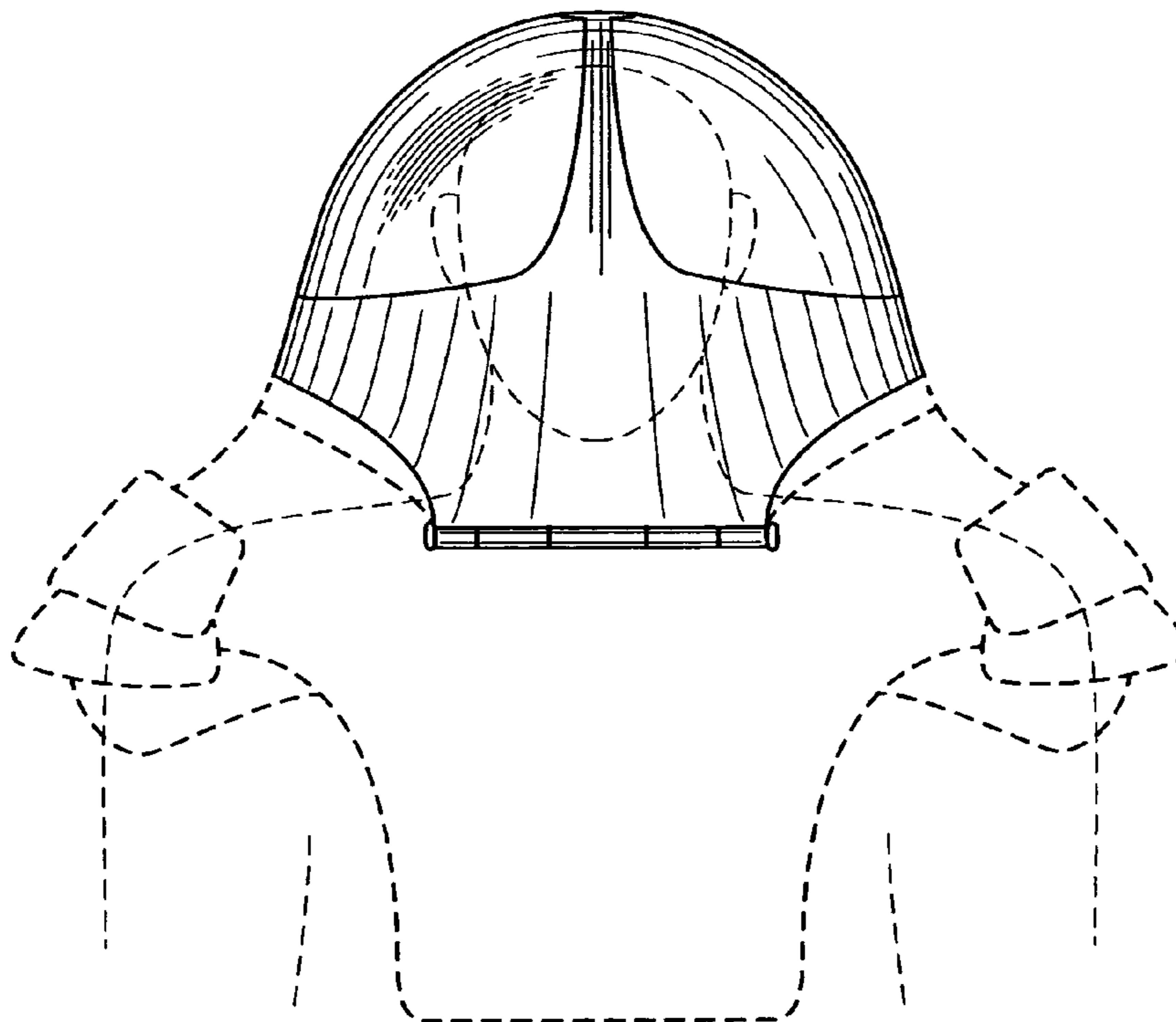


FIG. 2

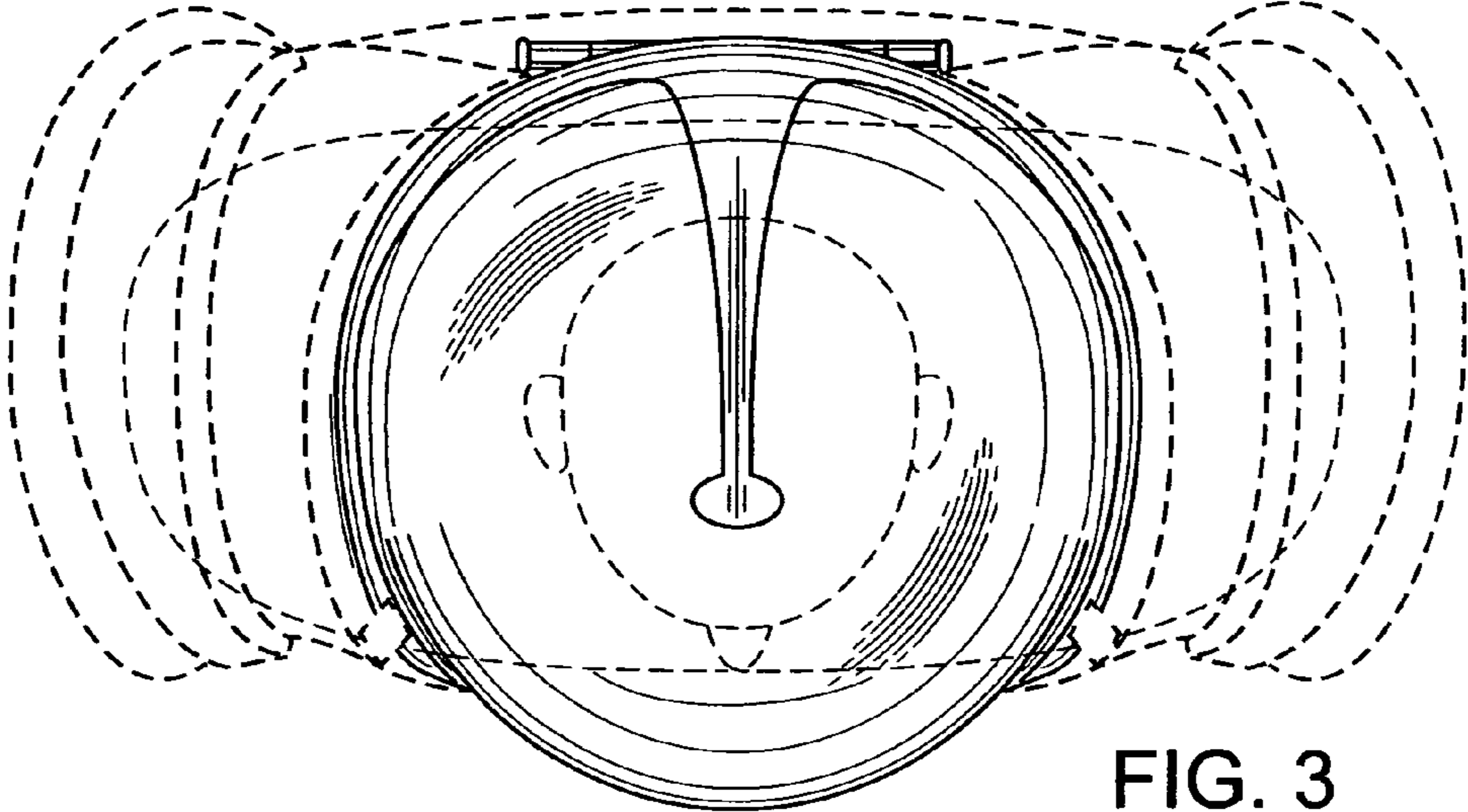


FIG. 3

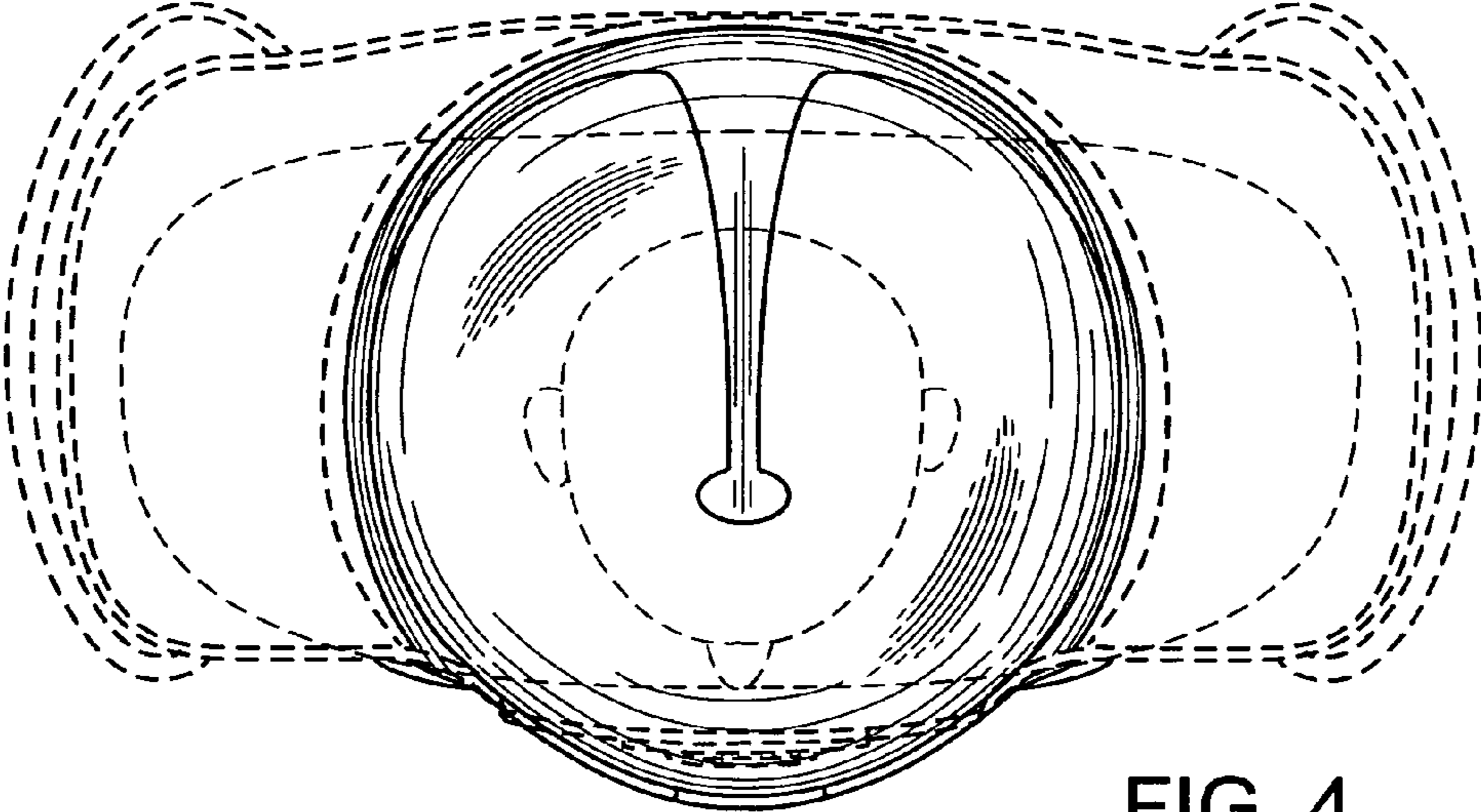


FIG. 4

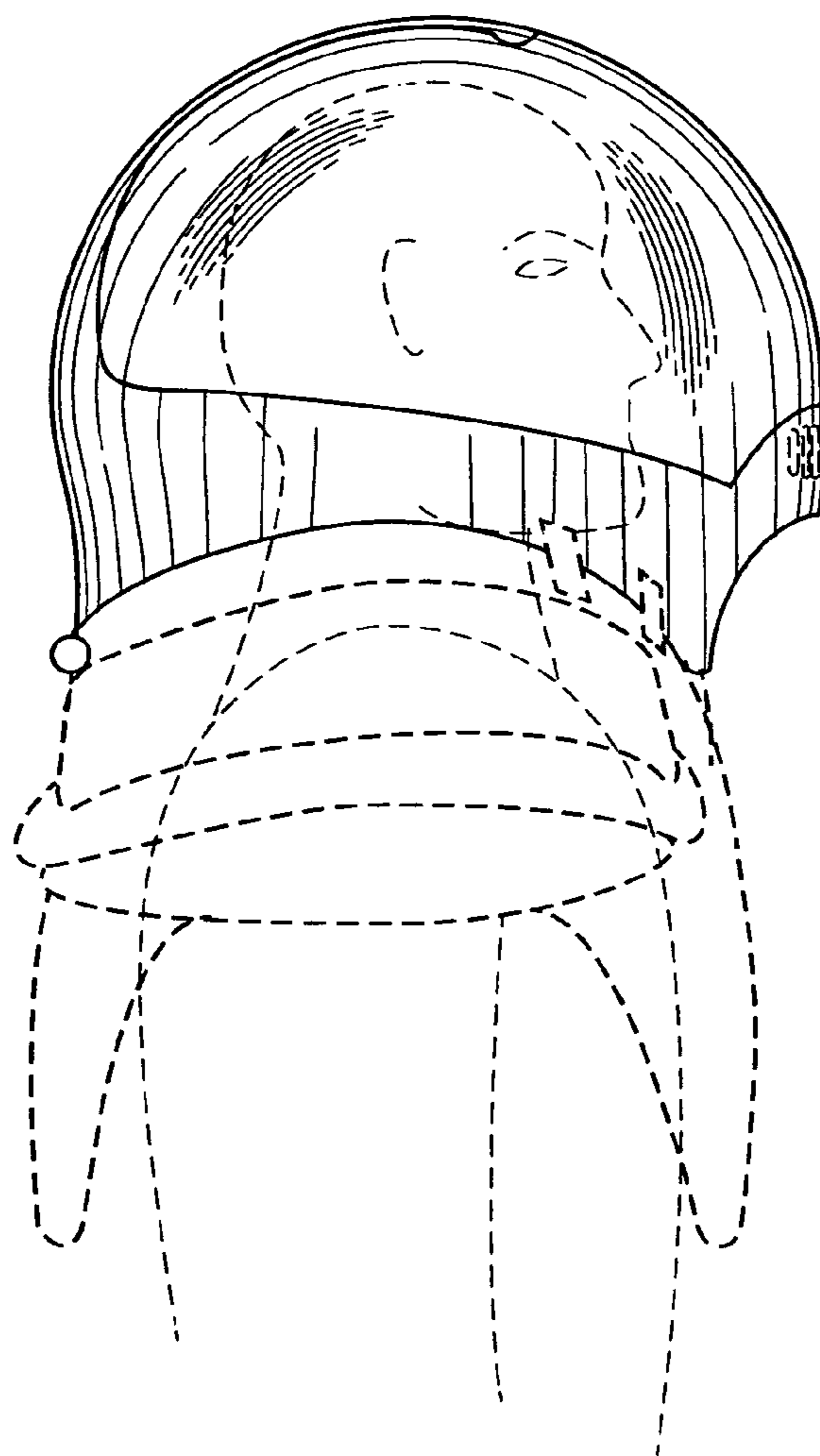


FIG. 5

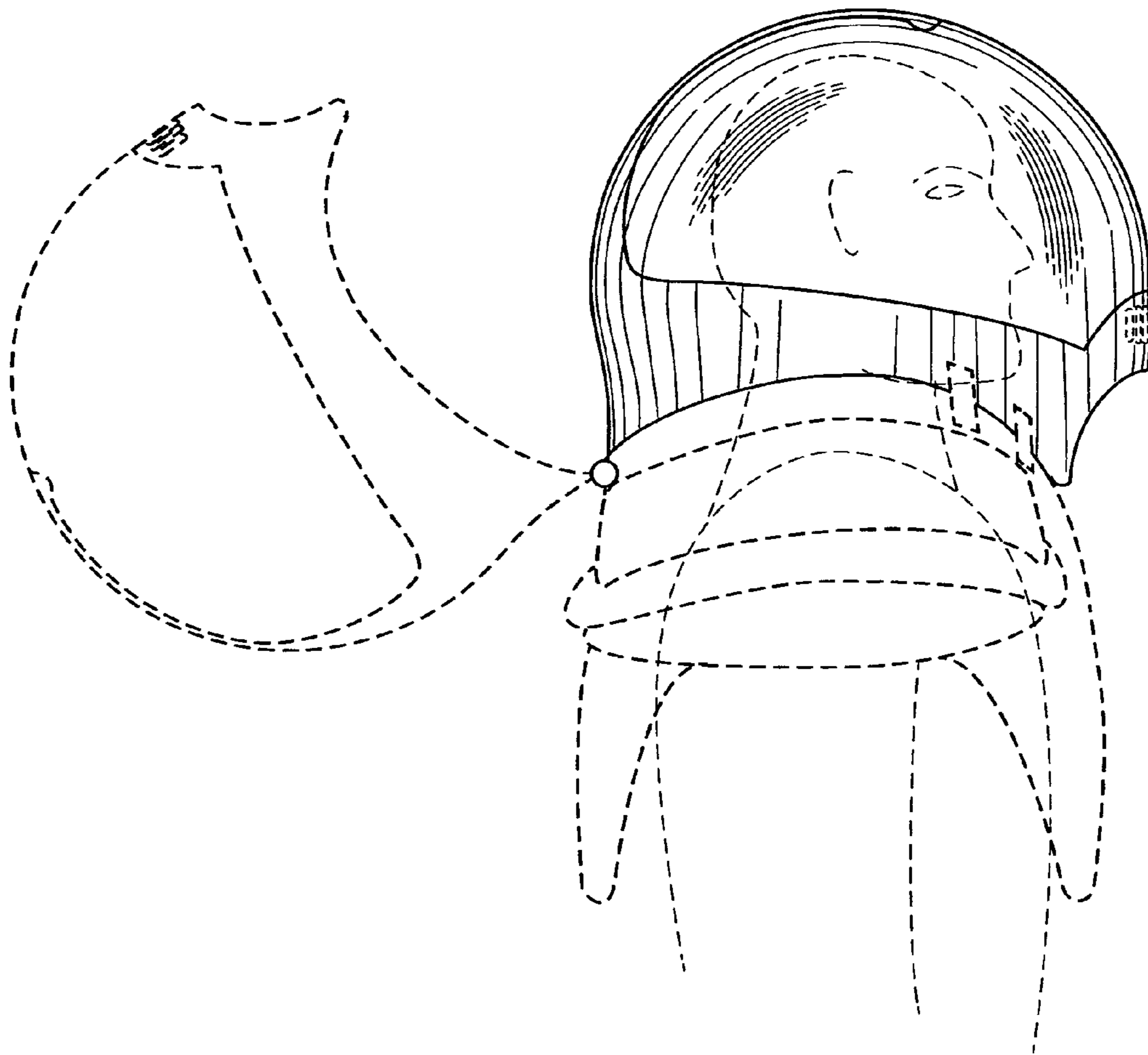


FIG. 6