

US00D696462S

(12) **United States Design Patent**
Saavedra

(10) **Patent No.:** **US D696,462 S**

(45) **Date of Patent:** **** Dec. 24, 2013**

(54) **HARD HAT**

(76) Inventor: **Martha Saavedra**, Carpinteria, CA (US)

(**) Term: **14 Years**

(21) Appl. No.: **29/429,827**

(22) Filed: **Aug. 17, 2012**

(51) **LOC (9) Cl.** **02-03**

(52) **U.S. Cl.**
USPC **D29/105**

(58) **Field of Classification Search**

USPC D29/102-107, 122, 109-112; 2/5, 6.3,
2/3.7, 411-425, 171-173, 205-206, 9,
2/195, 1, 181.4, 906, 202, 10, 6.6, 410,
2/183, 175.6; D2/867-868, 870,
D2/878-880, 882, 886-888, 893, 869,
D2/866; D21/659-661; D14/129; 345/8;
348/157, 347, 82

See application file for complete search history.

(56) **References Cited**

U.S. PATENT DOCUMENTS

D136,649 S * 11/1943 Dannenberg D2/879
4,993,081 A 2/1991 Fulghum
5,208,916 A 5/1993 Kelman
5,669,075 A * 9/1997 Weeks 2/172
5,701,609 A * 12/1997 Bridges 2/422

D402,088 S * 12/1998 Edwards D2/866
D420,493 S * 2/2000 Blake D2/866
D424,665 S * 5/2000 Svendsen D23/285
6,233,745 B1 * 5/2001 Friesen 2/172
6,305,029 B1 * 10/2001 Reynolds 2/422
6,996,852 B1 * 2/2006 Cabrera 2/172
7,406,721 B2 8/2008 Husbands et al.
D583,507 S * 12/2008 Stingone D29/106
D591,485 S * 5/2009 Cho D2/879
D594,185 S * 6/2009 Lacy D2/879
D625,081 S * 10/2010 Oates D2/879
2004/0060100 A1 * 4/2004 Reiterman 2/422
2008/0066214 A1 * 3/2008 O'Hare 2/172
2009/0064385 A1 * 3/2009 Crossman et al. 2/6.6

* cited by examiner

Primary Examiner — Ruth McInroy

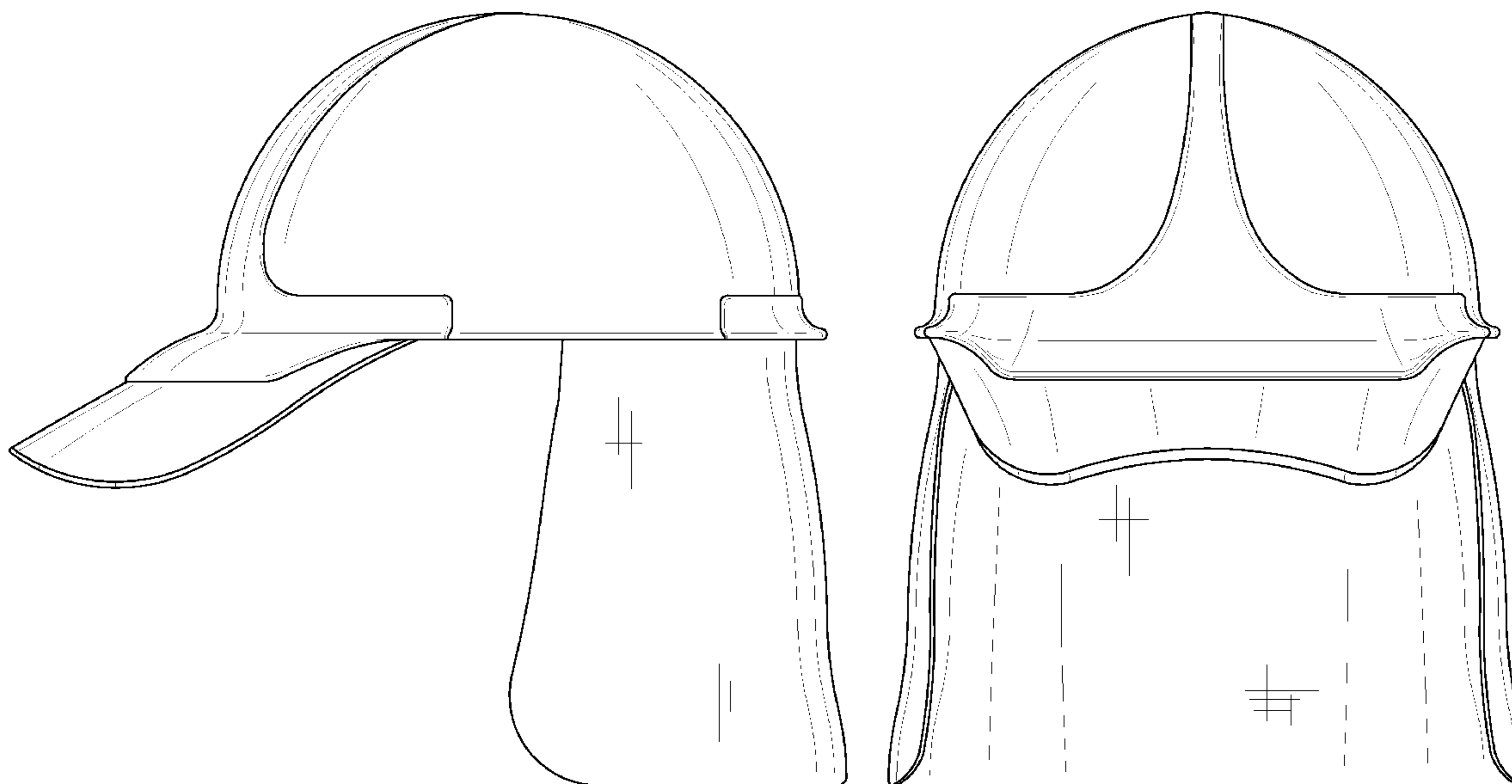
(57) **CLAIM**

The ornamental design for a hard hat, as shown and described.

DESCRIPTION

FIG. 1 is a right elevation view of a hard hat showing my new design, the opposite side being a mirror image of the shown; FIG. 2 is a front elevation view thereof; FIG. 3 is a rear elevation view thereof; FIG. 4 is a top plan view thereof; and, FIG. 5 is a bottom plan view thereof.

1 Claim, 4 Drawing Sheets



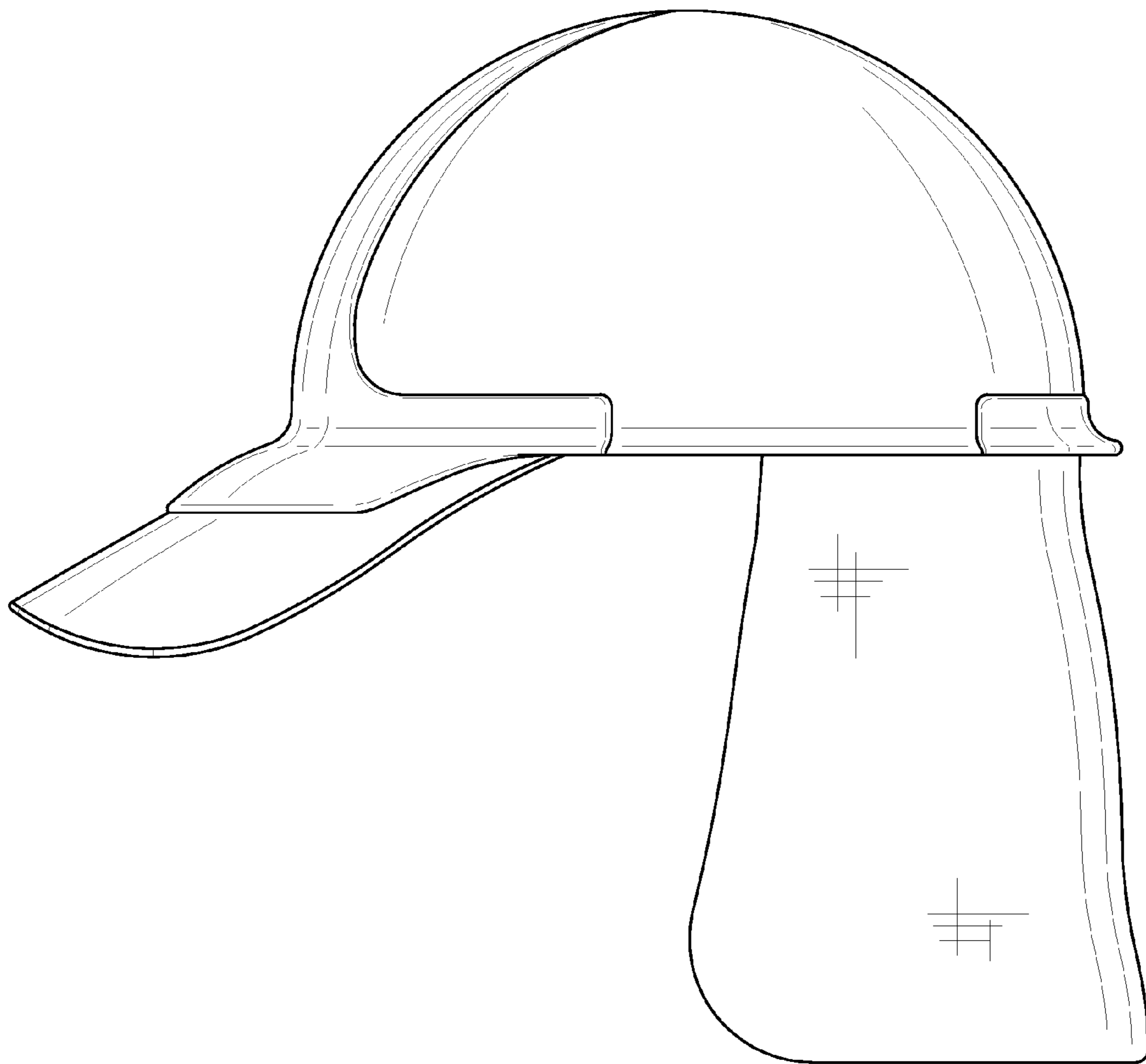


FIG. 1

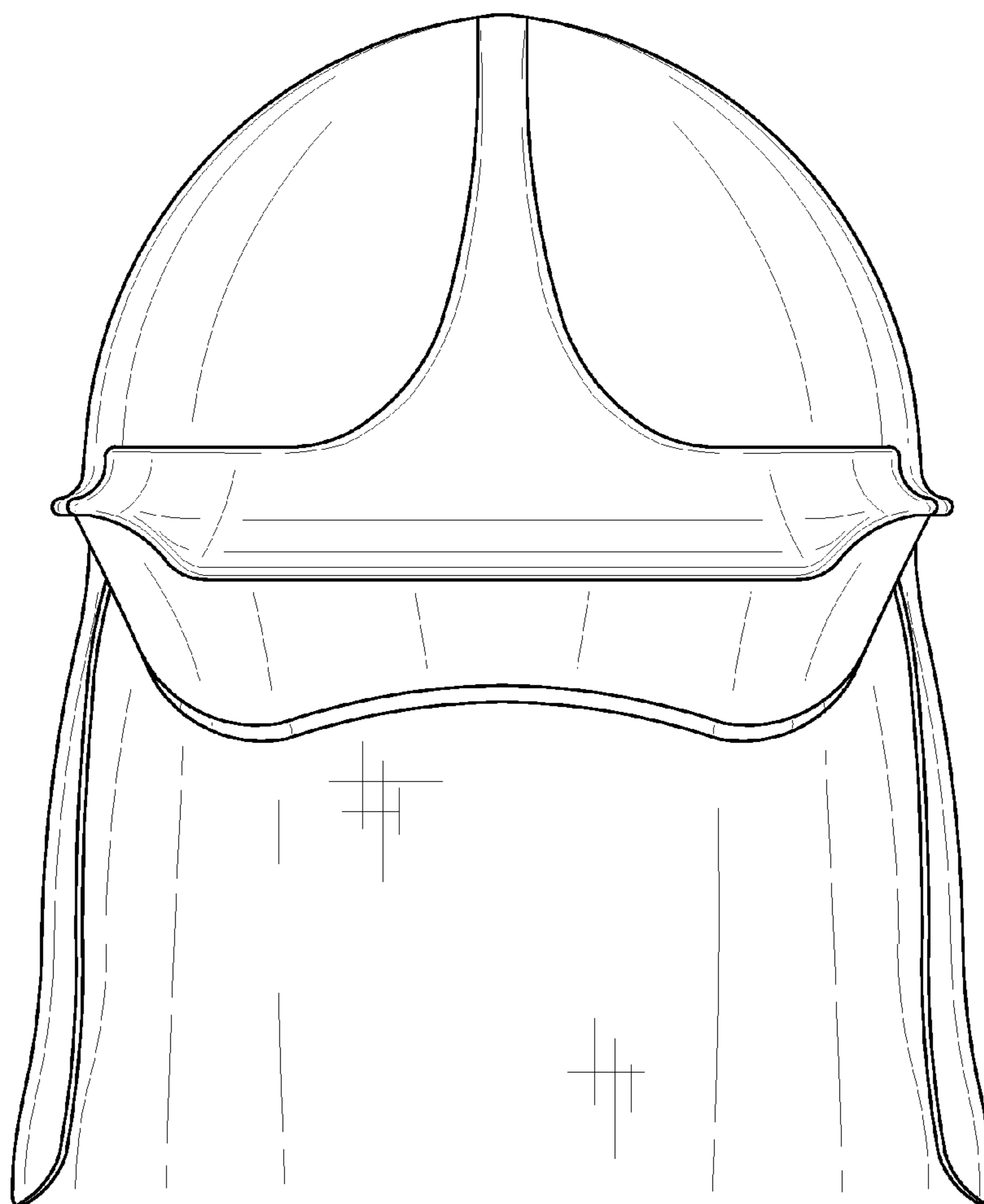


FIG. 2

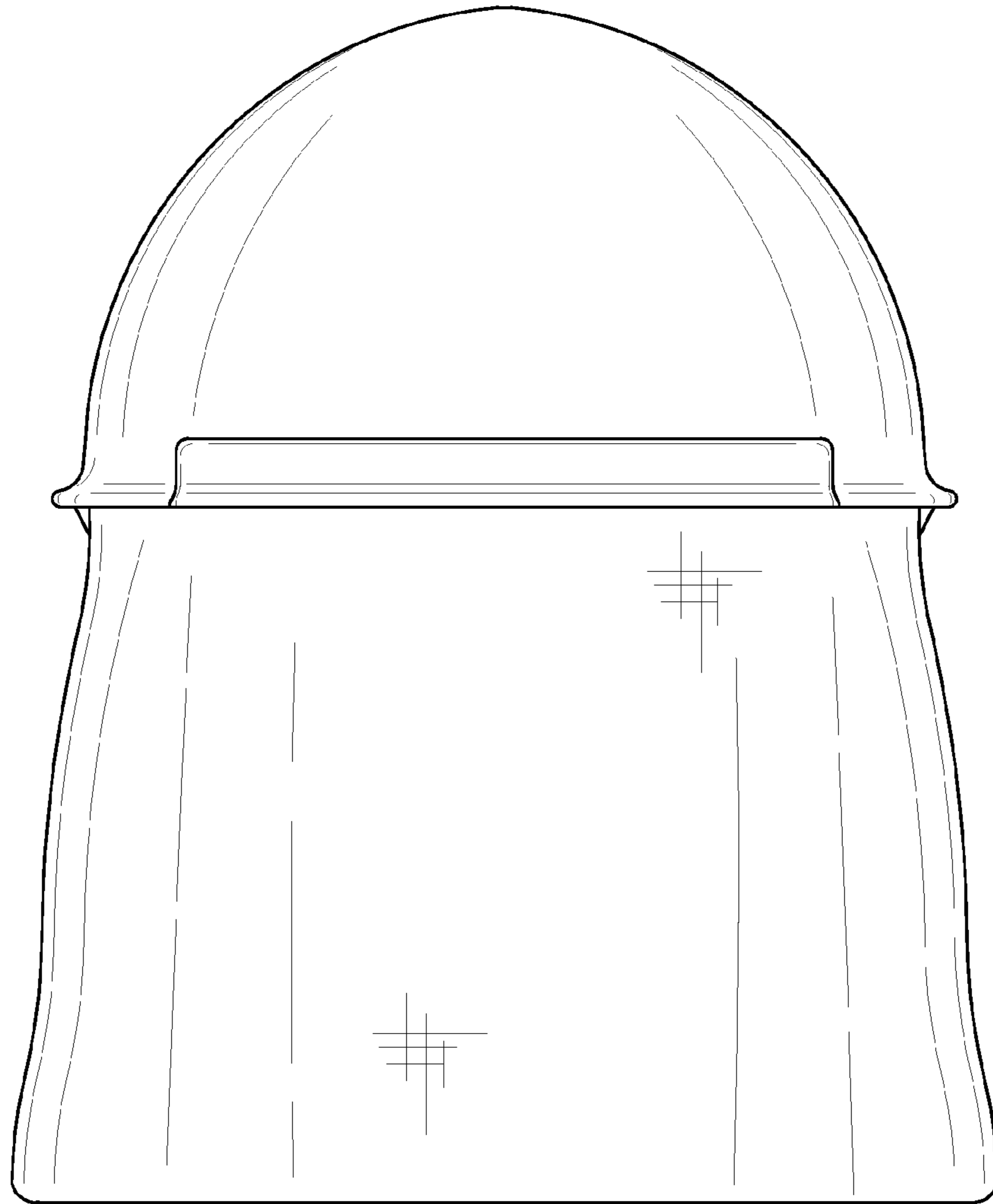


FIG. 3

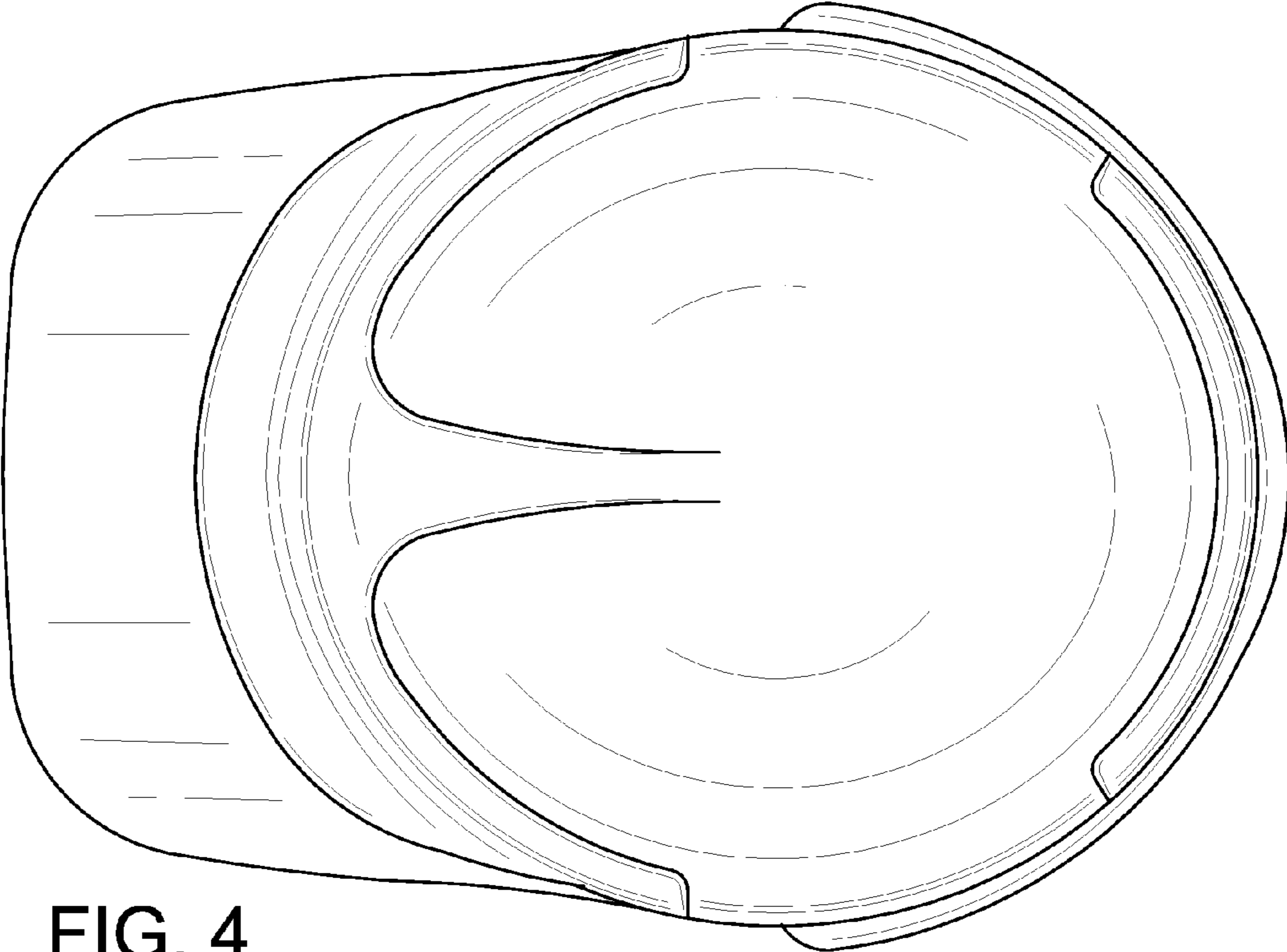


FIG. 4

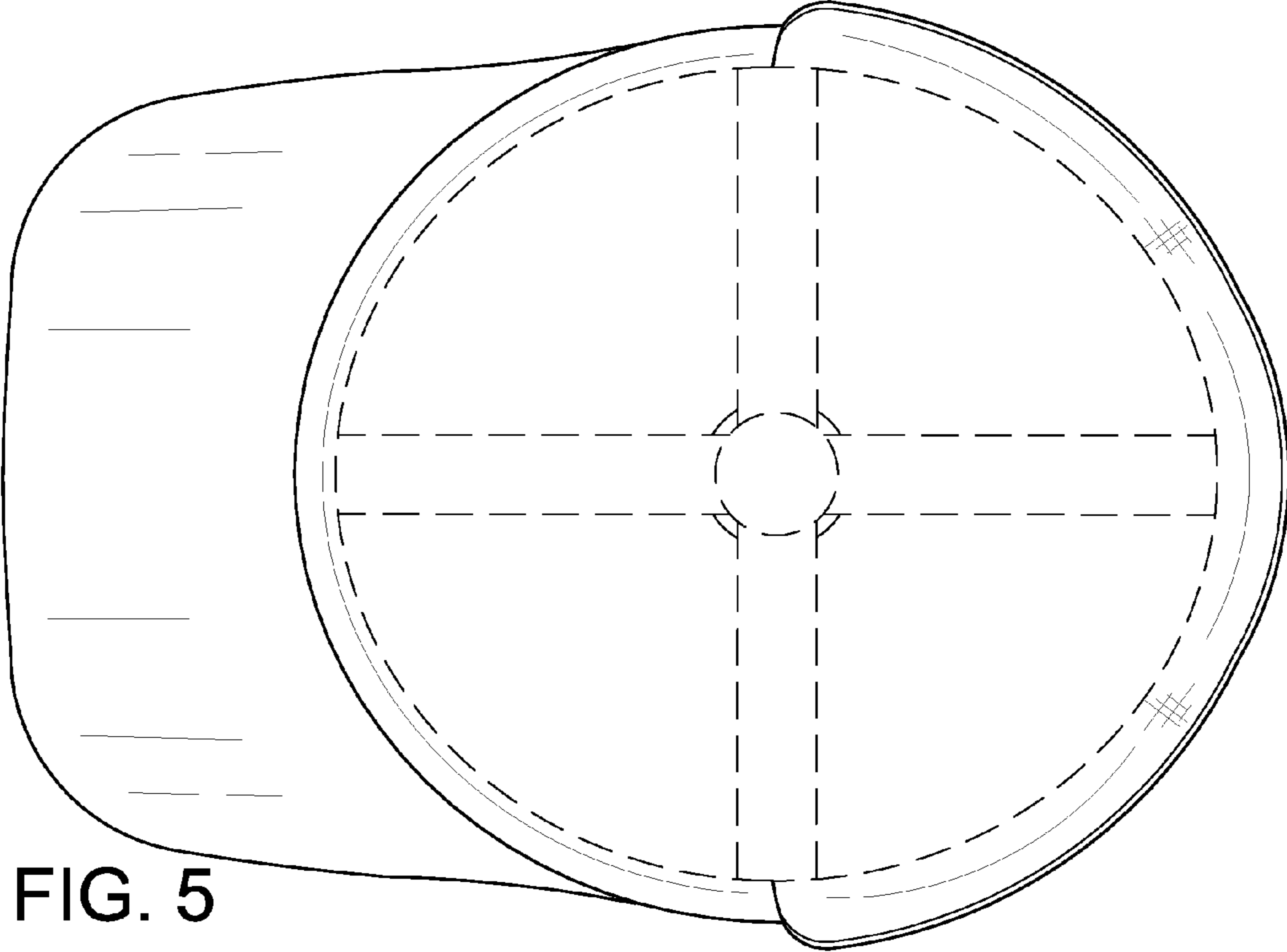


FIG. 5