

US00D696459S

(12) **United States Design Patent**  
**Chan**

(10) **Patent No.:** **US D696,459 S**  
(45) **Date of Patent:** **\*\* Dec. 24, 2013**

(54) **HAIR CLIPPER**

(71) Applicant: **Conair Corporation**, Stamford, CT  
(US)

(72) Inventor: **Hon Hung Joseph Chan**, Hong Kong  
(CN)

(73) Assignee: **Conair Corporation**, Stamford, CT  
(US)

(\*\*) Term: **14 Years**

(21) Appl. No.: **29/452,503**

(22) Filed: **Apr. 17, 2013**

(51) **LOC (9) Cl.** ..... **28-03**

(52) **U.S. Cl.**  
USPC ..... **D28/53**

(58) **Field of Classification Search**  
USPC ..... D28/49-54, 44-48; 30/34.05, 32, 34.1,  
30/34.2, 43-43.92, 526-527, 44-45, 341,  
30/272.1, 226-227, 231, 233-233.5, 537,  
30/539-540  
See application file for complete search history.

(56) **References Cited**

**U.S. PATENT DOCUMENTS**

5,386,634 A \* 2/1995 Ogle et al. .... 30/208  
D405,924 S \* 2/1999 Lebherz ..... D28/53

D436,229 S \* 1/2001 Eguchi et al. .... D28/53  
D464,466 S \* 10/2002 Rizzuto et al. .... D28/53  
D538,476 S \* 3/2007 Laube ..... D28/54  
D555,286 S \* 11/2007 Long ..... D28/53  
D600,409 S \* 9/2009 Klein ..... D28/53  
D620,201 S \* 7/2010 Bishop ..... D28/53  
2012/0017928 A1 \* 1/2012 Raskin ..... 132/200

\* cited by examiner

*Primary Examiner* — Jennifer Rivard

(74) *Attorney, Agent, or Firm* — Carter, DeLuca, Farrell &  
Schmidt, LLP

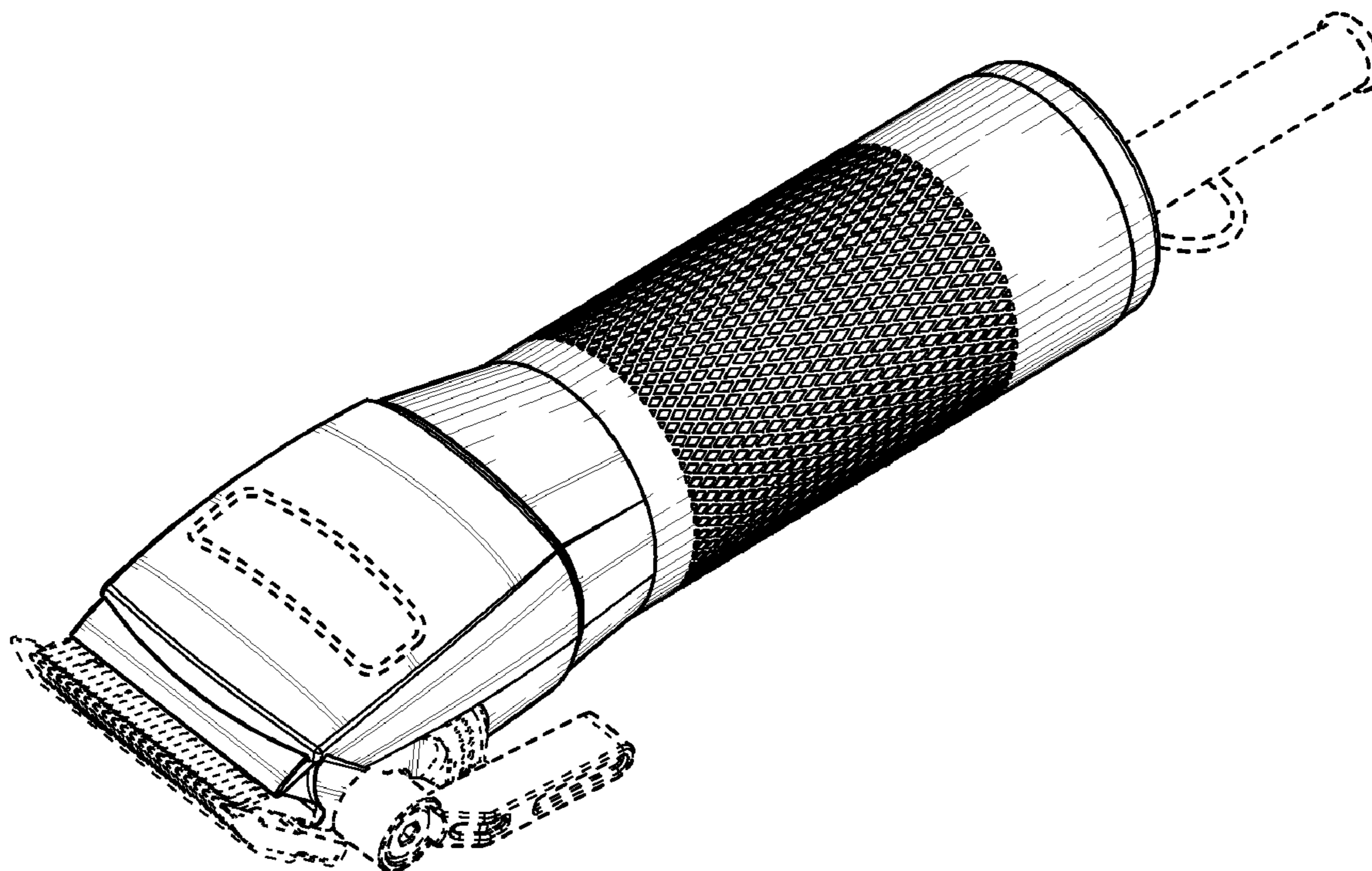
(57) **CLAIM**

The ornamental design for the hair clipper, as shown and described.

**DESCRIPTION**

FIG. 1 is a first perspective view of the hair clipper in accordance with the principles of the present disclosure; FIG. 2 is a second perspective view of the hair clipper; FIG. 3 is a left side elevation view of the hair clipper; FIG. 4 is a right side elevation view of the hair clipper; FIG. 5 is a top plan view of the hair clipper; FIG. 6 is a bottom plan view of the hair clipper; FIG. 7 is a front elevation view of the hair clipper; and, FIG. 8 is a rear elevation view of the hair clipper. The broken lines shown in the drawings illustrate portions of the article and form no part of the claimed design.

**1 Claim, 7 Drawing Sheets**



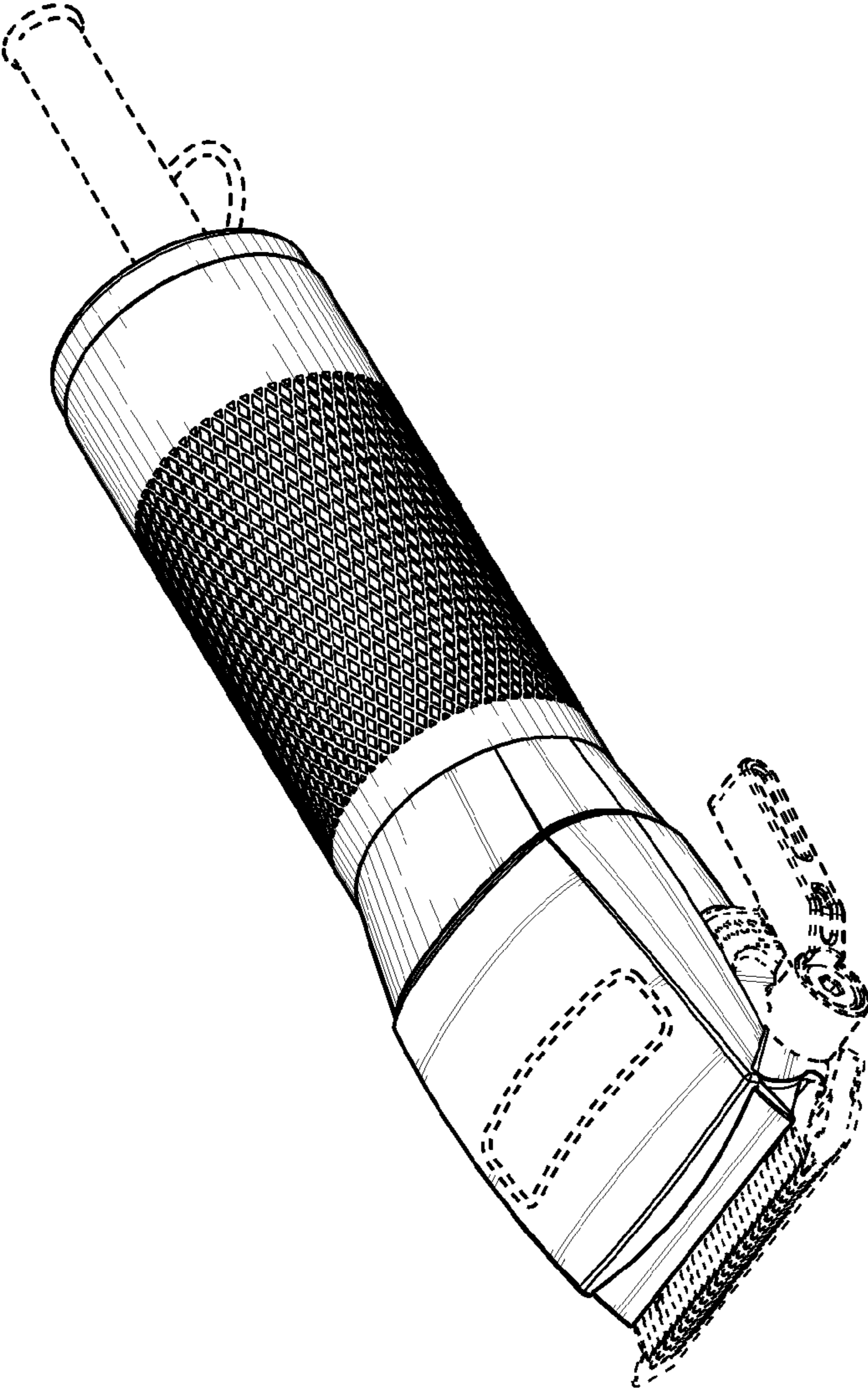


FIG. 1

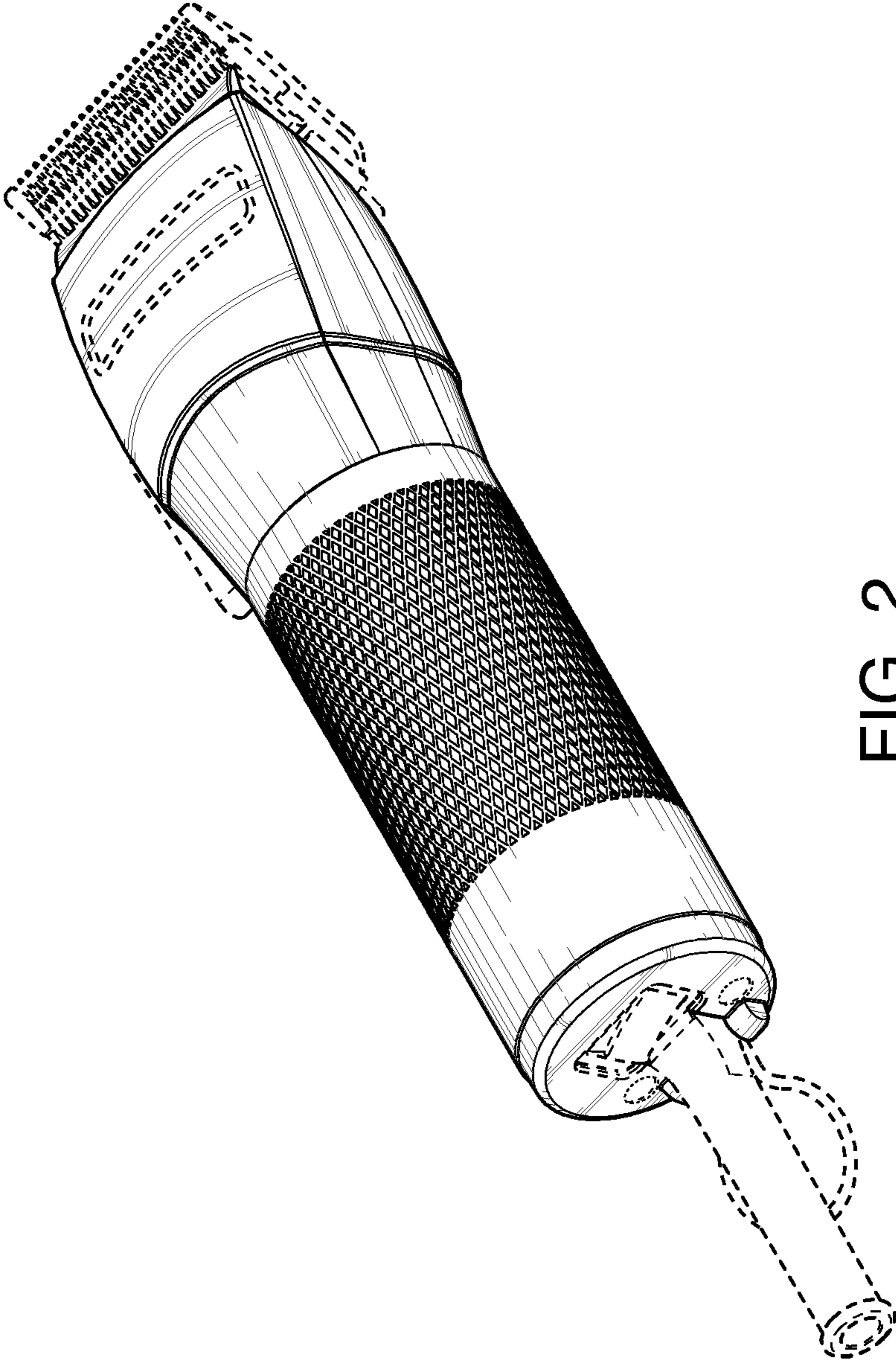


FIG. 2

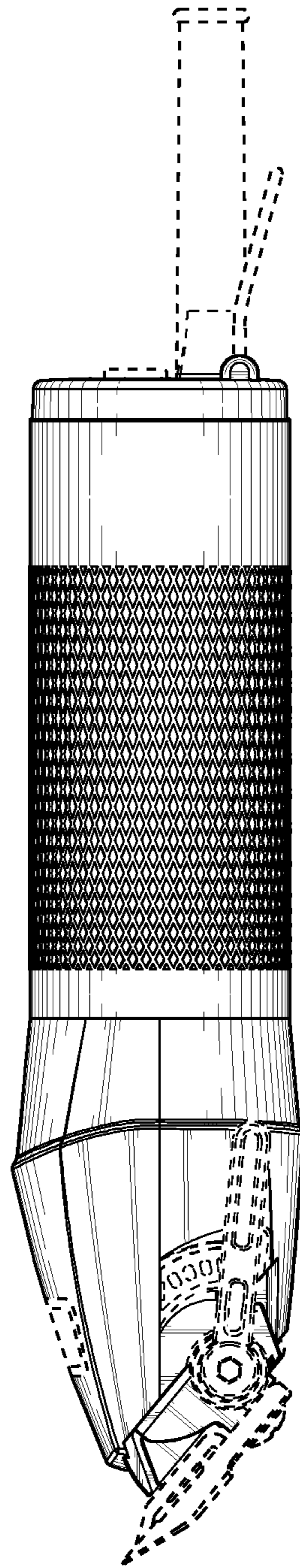


FIG. 3

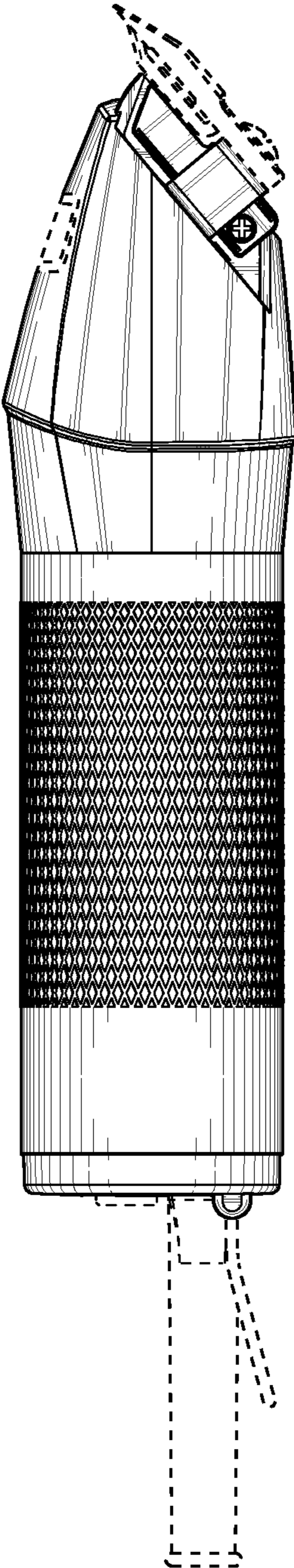


FIG. 4

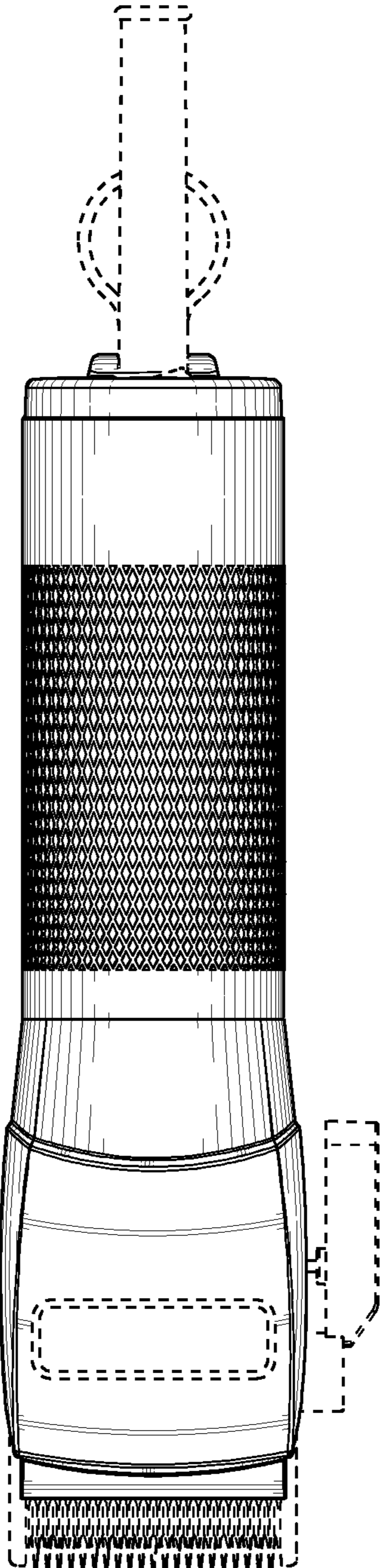


FIG. 5

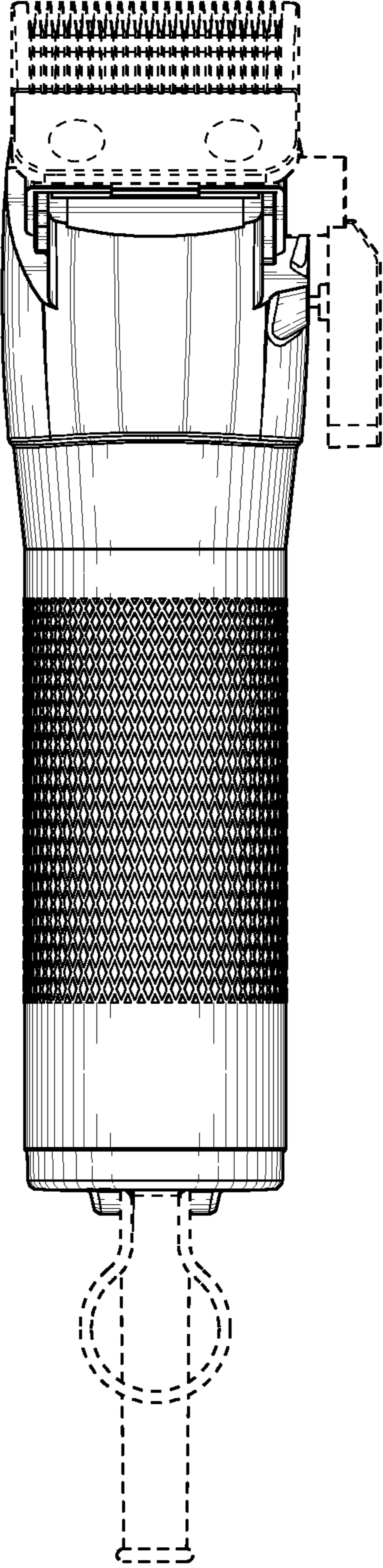


FIG. 6

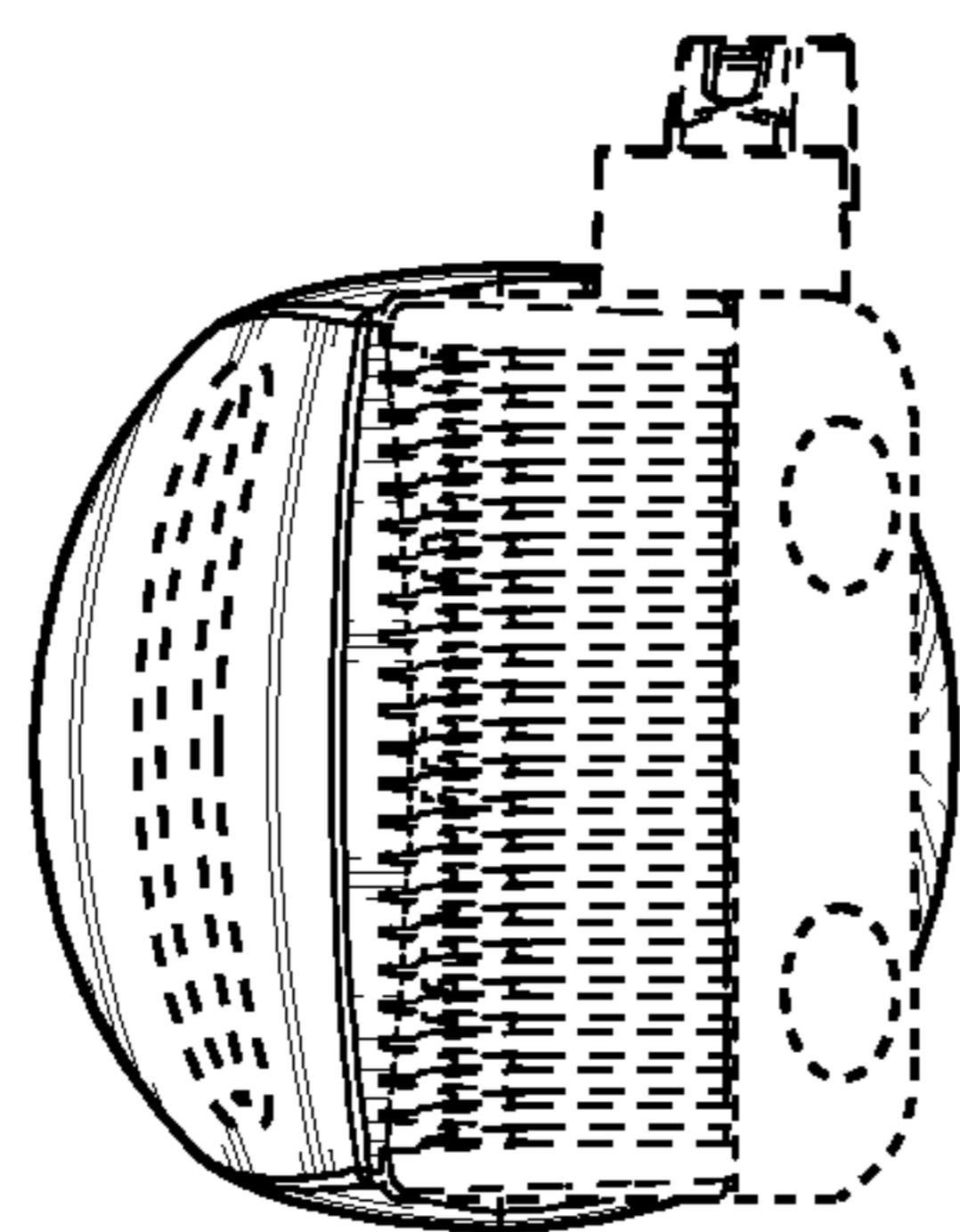


FIG. 7

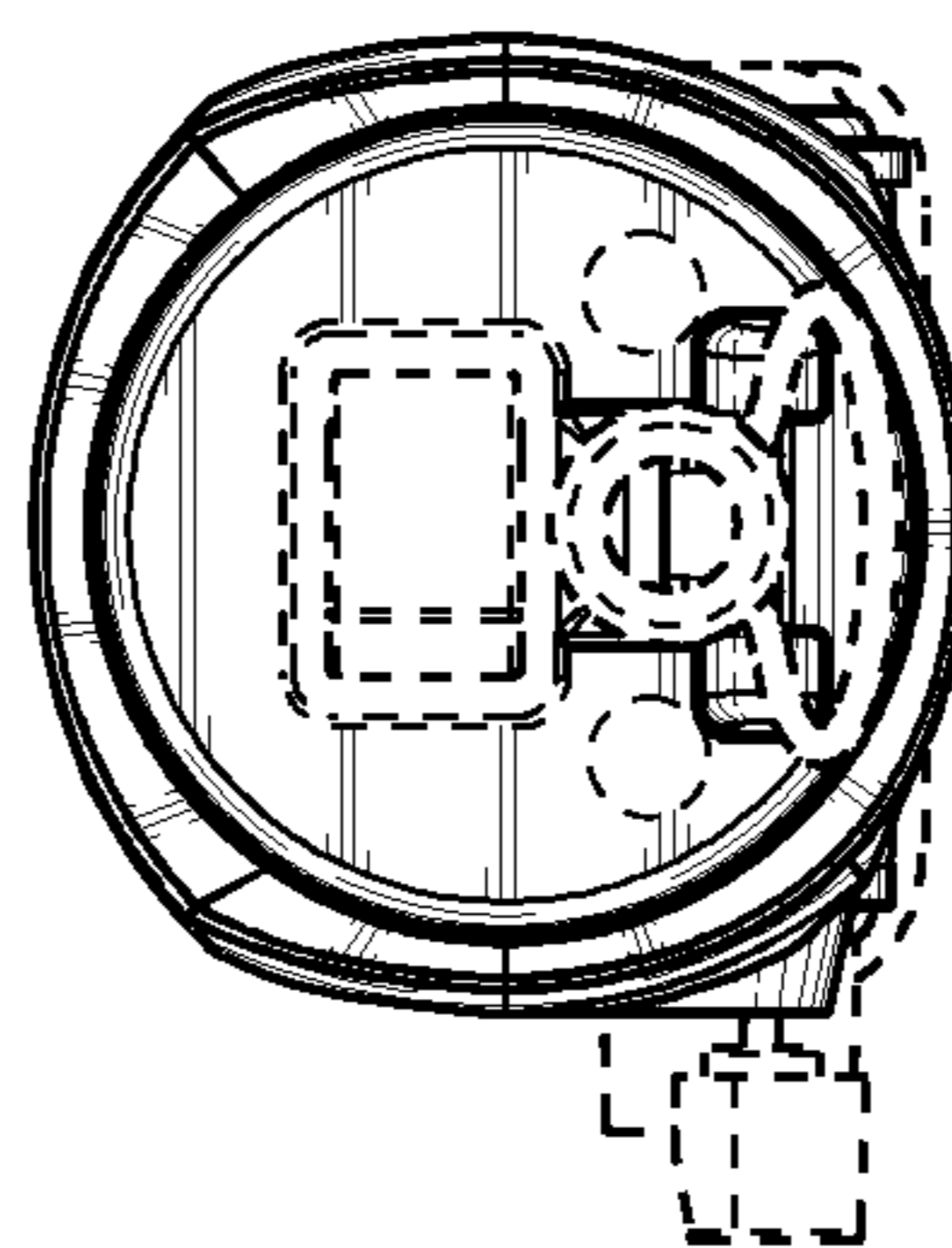


FIG. 8