



US00D696458S

(12) **United States Design Patent**
Ino

(10) **Patent No.:** **US D696,458 S**
(45) **Date of Patent:** **** Dec. 24, 2013**

(54) **ELECTRIC SHAVER**

FOREIGN PATENT DOCUMENTS

(71) Applicant: **Panasonic Corporation**, Osaka (JP)

JP D1420854 8/2011
JP D1451929 10/2012

(72) Inventor: **Tomoaki Ino**, Shiga (JP)

* cited by examiner

(73) Assignee: **Panasonic Corporation**, Osaka (JP)

Primary Examiner — Jennifer Rivard

(**) Term: **14 Years**

(74) *Attorney, Agent, or Firm* — Panasonic Patent Center

(21) Appl. No.: **29/458,614**

(22) Filed: **Jun. 21, 2013**

(51) **LOC (9) Cl.** **28-03**

(52) **U.S. Cl.**
USPC **D28/51**

(58) **Field of Classification Search**
USPC D28/49–54, 44–48; 30/34.05, 32, 34.1,
30/34.2, 43–43.92, 526–527, 44–45, 341,
30/272.1, 226–227, 231, 233–233.5, 537,
30/539–540

See application file for complete search history.

(56) **References Cited**

U.S. PATENT DOCUMENTS

D587,849 S *	3/2009	Nishizawa	D28/51
D623,353 S *	9/2010	Nishizawa	D28/52
D648,483 S *	11/2011	Ino	D28/51
D648,895 S *	11/2011	Ino	D28/49
D672,090 S *	12/2012	Ino et al.	D28/51
D674,143 S *	1/2013	Ino et al.	D28/51
D674,554 S *	1/2013	Ino et al.	D28/51
D674,555 S *	1/2013	Ino	D28/51

(57) **CLAIM**

I claim the ornamental design for an electric shaver, as shown and described.

DESCRIPTION

FIG. 1 is a front perspective view of an electric shaver of the present invention;
FIG. 2 is a rear perspective view thereof;
FIG. 3 is a front view thereof;
FIG. 4 is a rear view thereof;
FIG. 5 is a first side view thereof;
FIG. 6 is a second side view thereof;
FIG. 7 is a top view thereof;
FIG. 8 is a bottom view thereof; and,
FIG. 9 is a cross-sectional view taken along the line 9-9 of FIG. 3.

The broken line showing of electric shaver is included for the purpose of illustrating environment and forms no part of the claimed design.

1 Claim, 9 Drawing Sheets

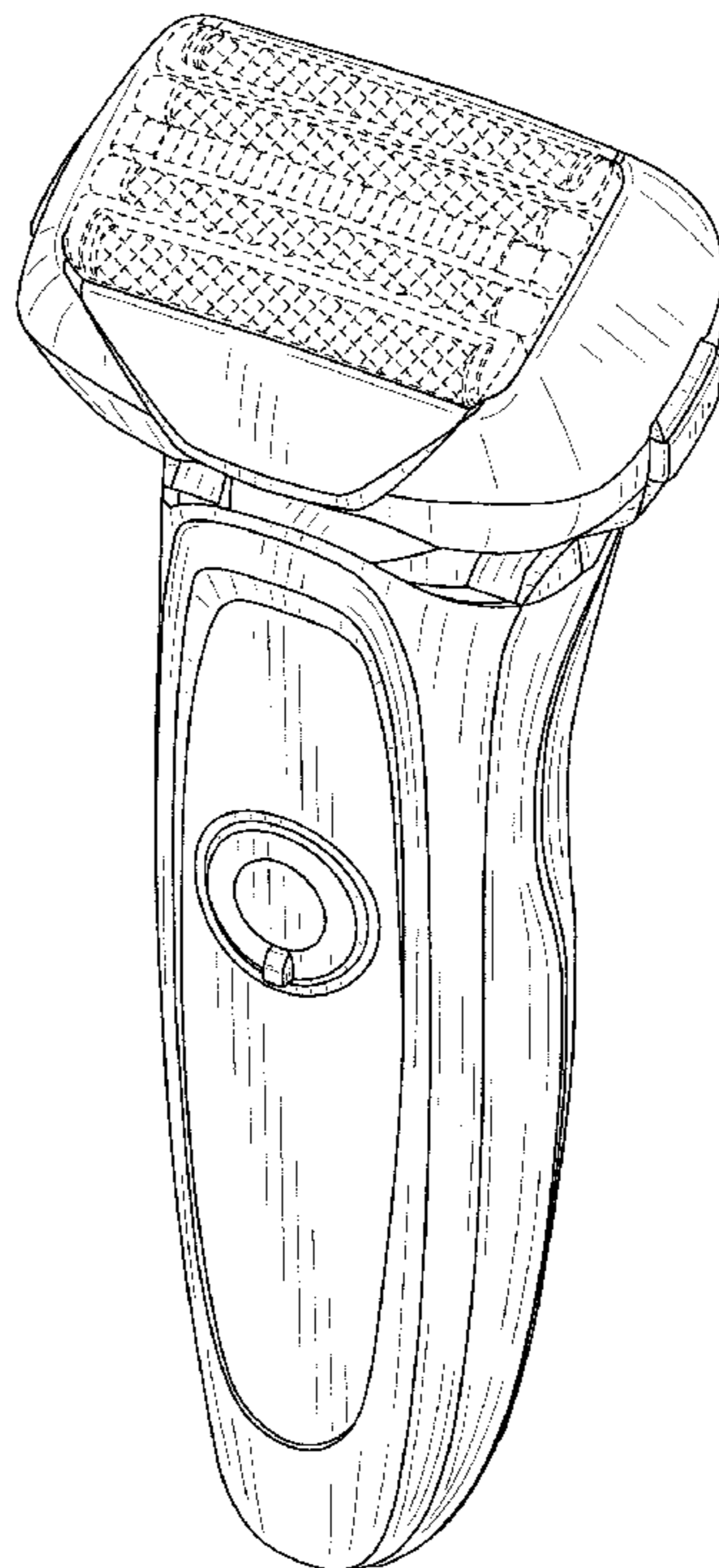


FIG. 1

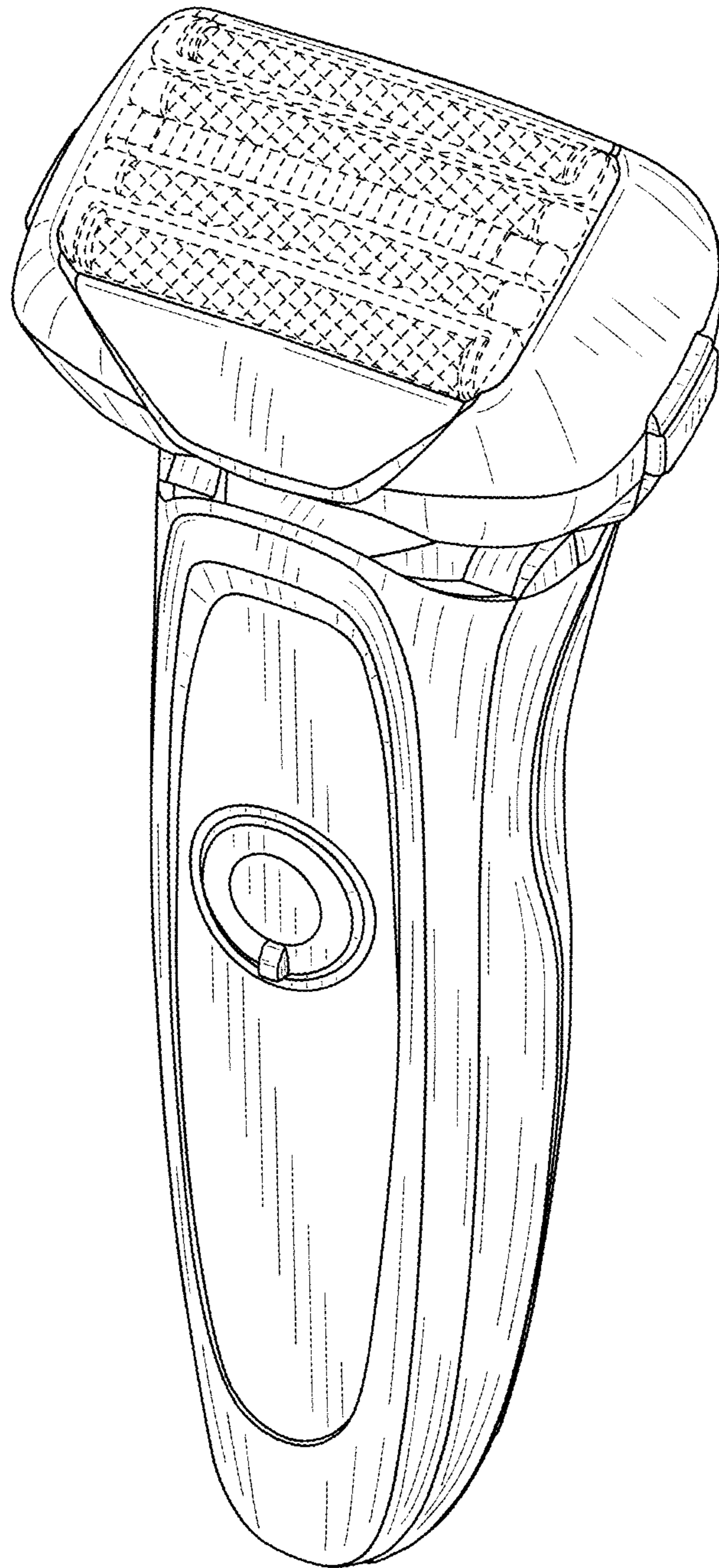


FIG. 2

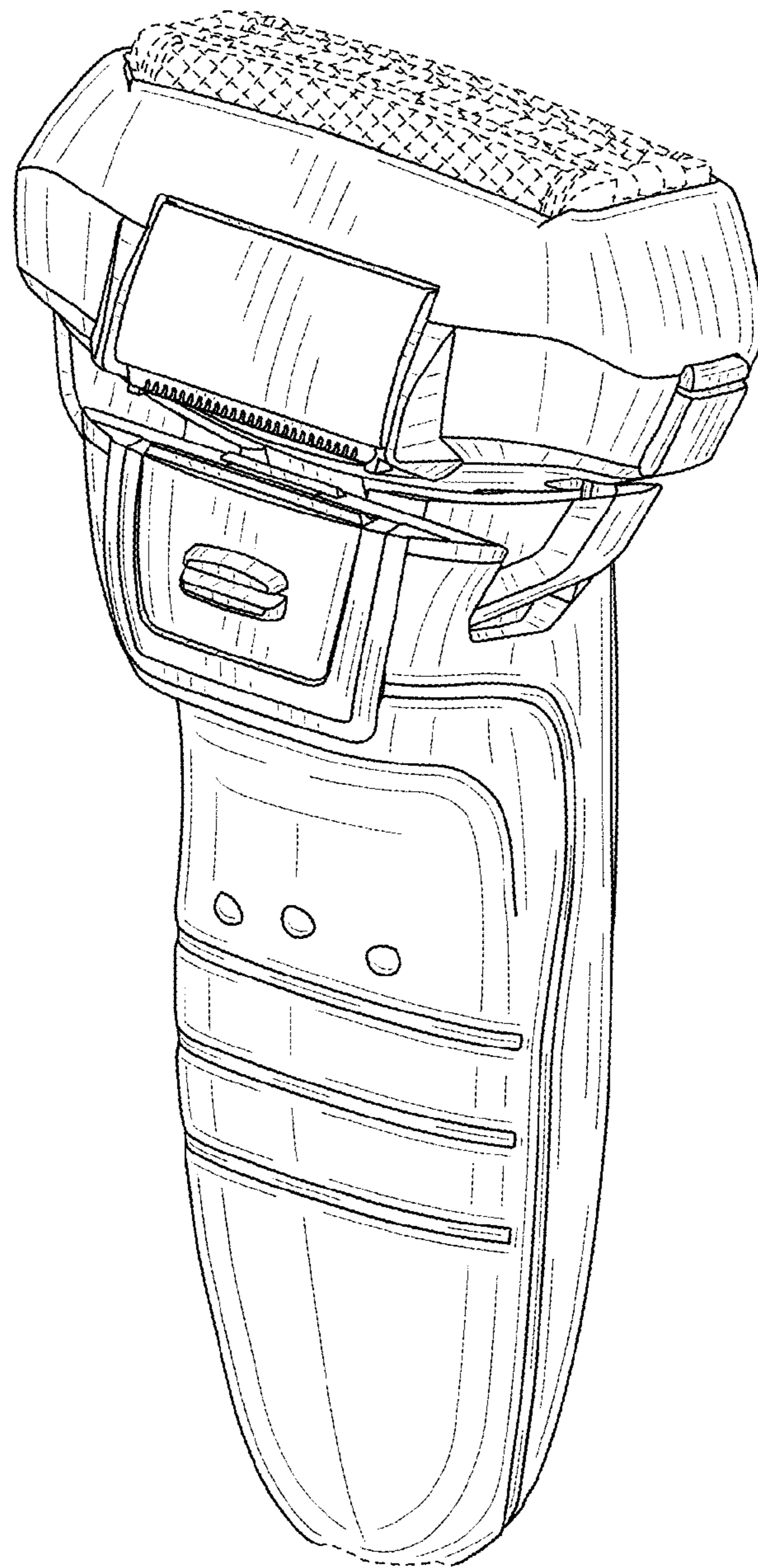


FIG. 3

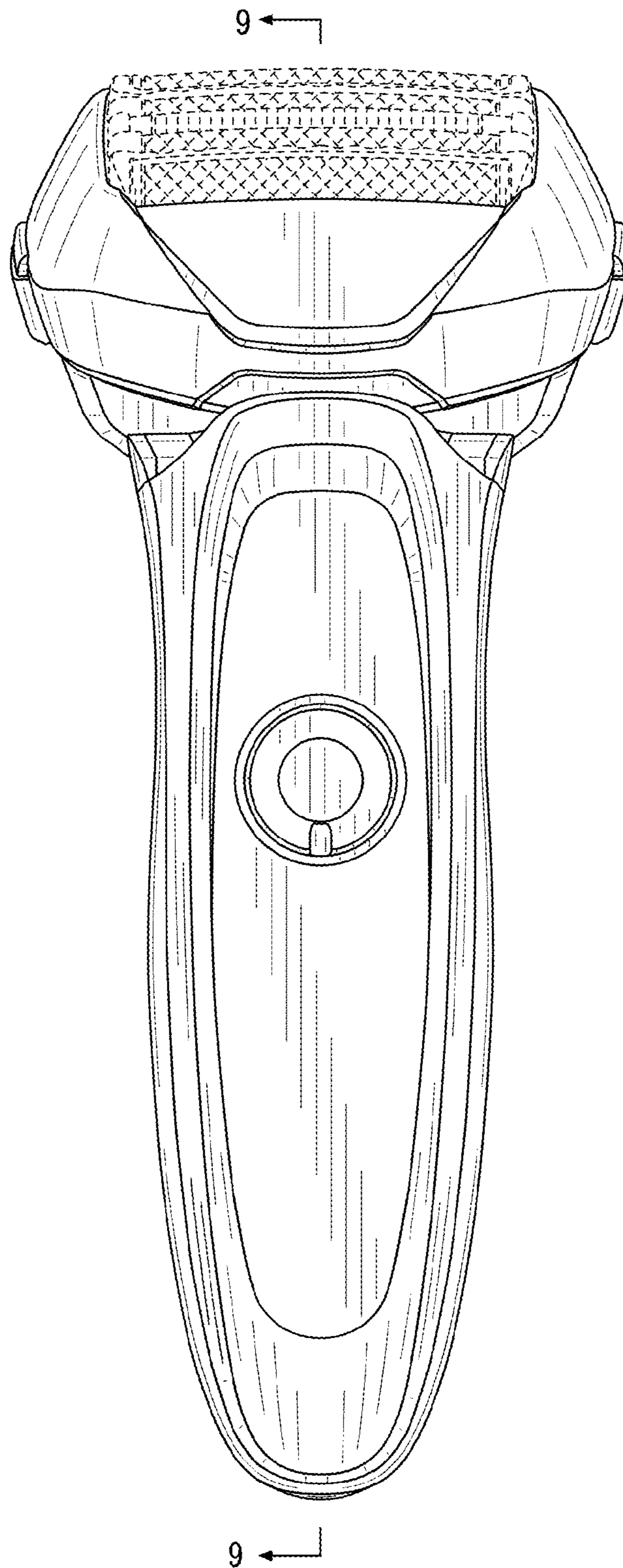


FIG. 4

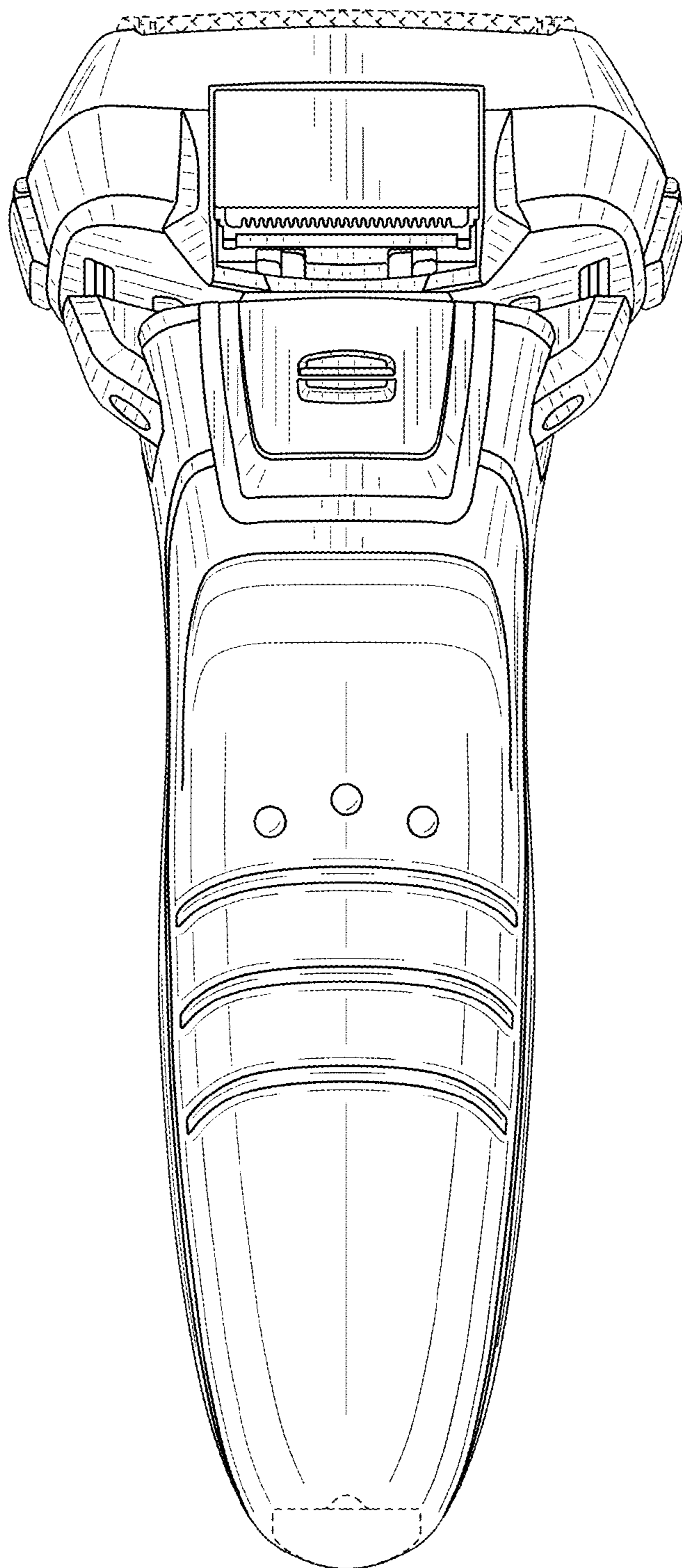


FIG. 5

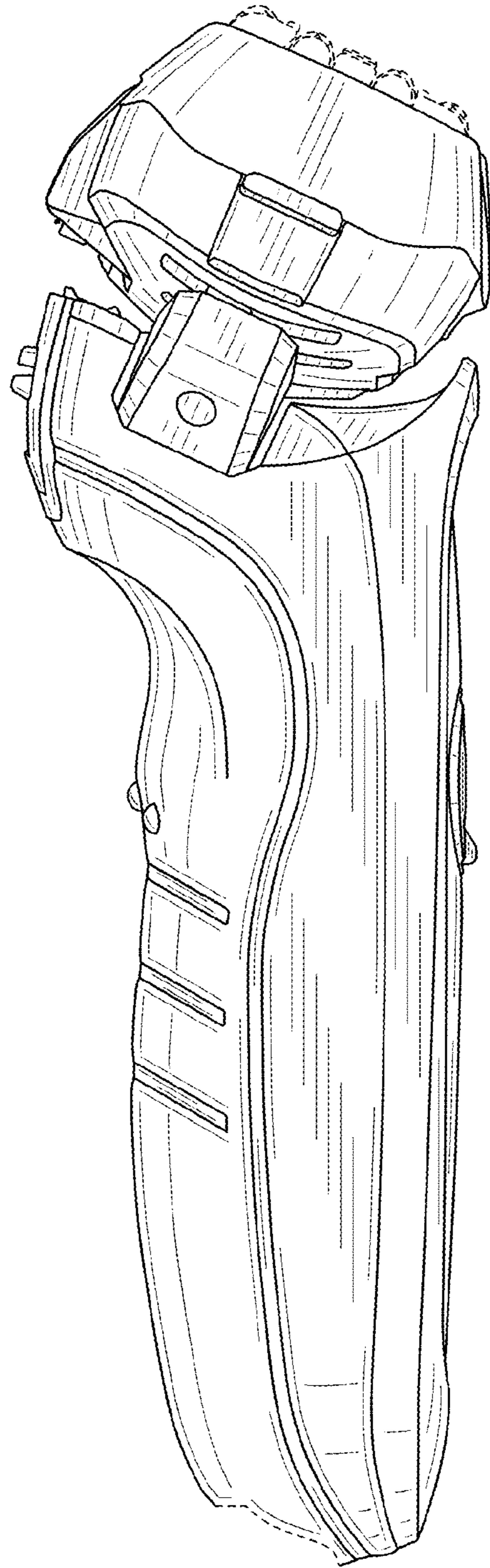


FIG. 6

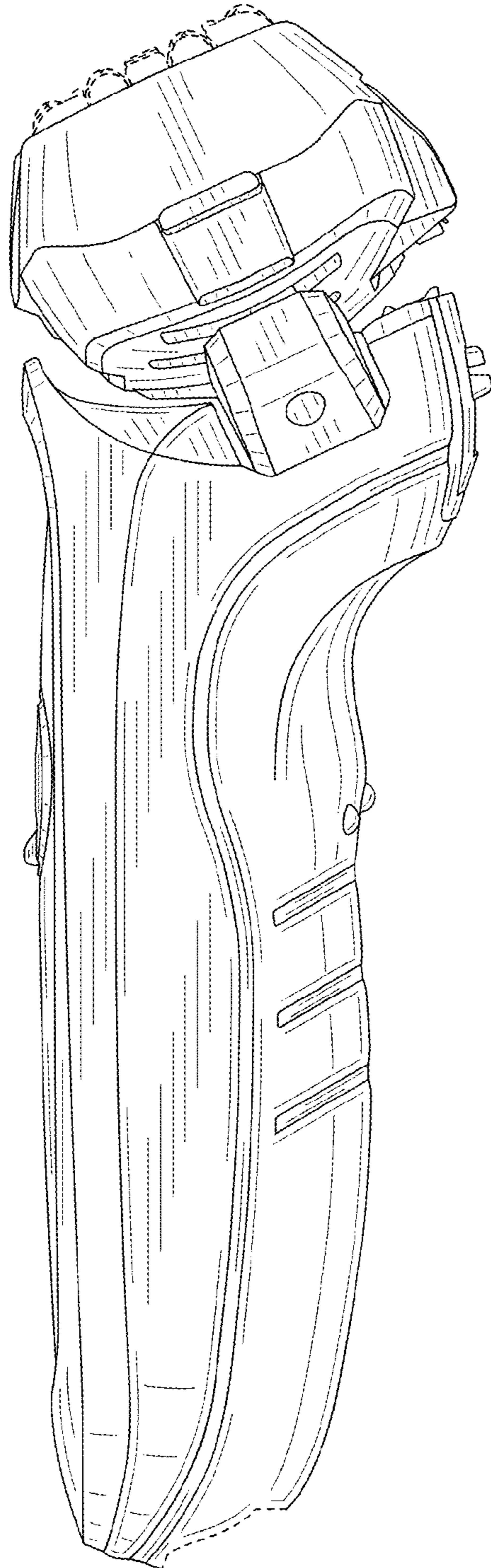


FIG. 7

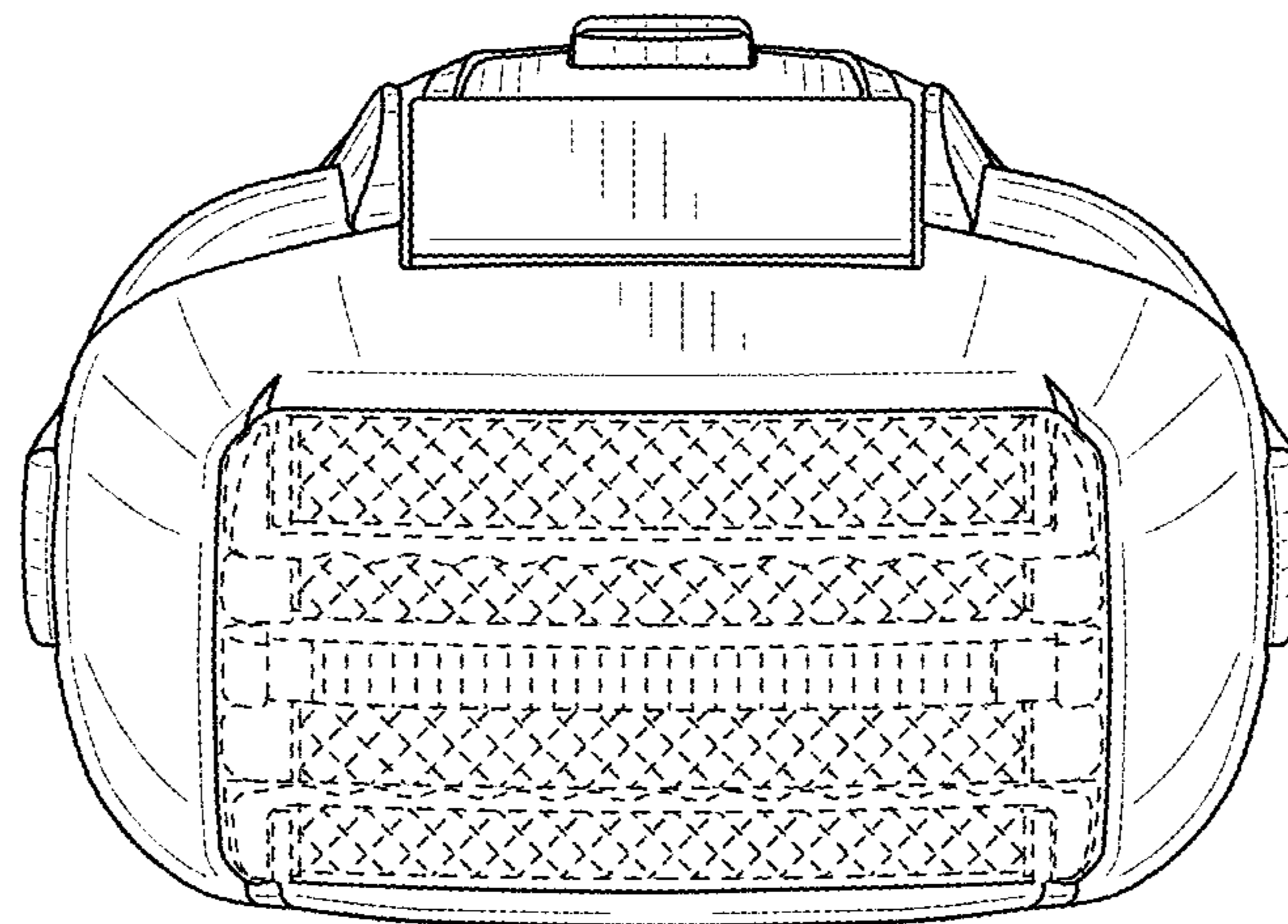


FIG. 8

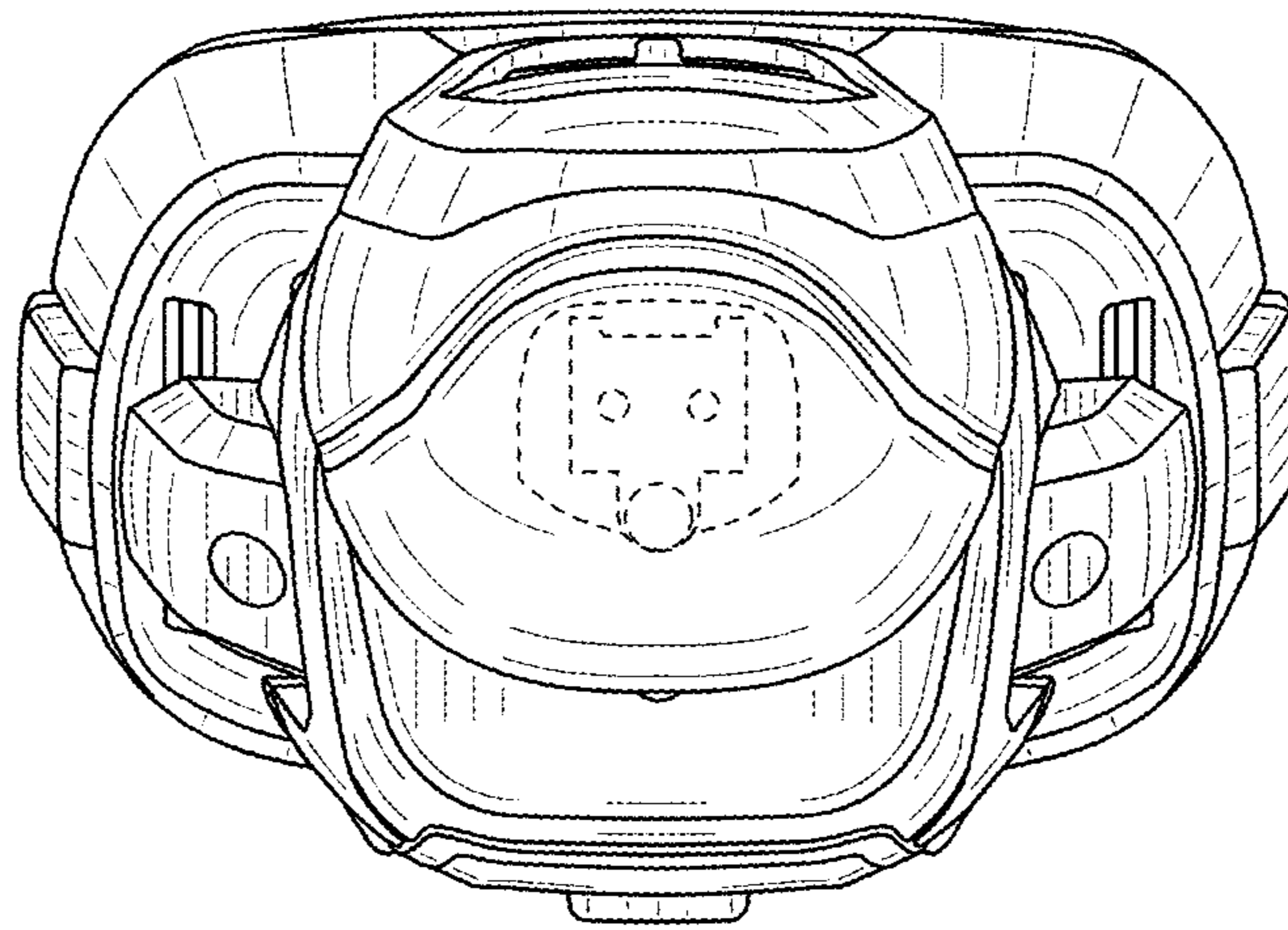


FIG. 9

