



US00D696457S

(12) **United States Design Patent**
Levi

(10) **Patent No.:** **US D696,457 S**
(45) **Date of Patent:** **** *Dec. 24, 2013**

(54) **HAIR REMOVAL CLIP ASSEMBLY**

- (75) Inventor: **Osnat Levi**, Jerusalem (IL)
- (73) Assignee: **Innovative Cosmetics, Ltd.**, Jerusalem (IE)
- (*) Notice: This patent is subject to a terminal disclaimer.
- (**) Term: **14 Years**
- (21) Appl. No.: **29/381,027**
- (22) Filed: **Dec. 14, 2010**
- (51) **LOC (9) Cl.** **28-03**
- (52) **U.S. Cl.**
USPC **D28/44.1**
- (58) **Field of Classification Search**
USPC 606/131, 133, 134; D28/44-48
See application file for complete search history.

(56) **References Cited**

U.S. PATENT DOCUMENTS

- D582,096 S * 12/2008 Sun et al. D28/44.1
- D628,344 S * 11/2010 Raviv D28/44.1

(Continued)

Primary Examiner — Jennifer Rivard

(74) *Attorney, Agent, or Firm* — Blue Flament Law; Guy Levi; Avery Goldstein

(57) **CLAIM**

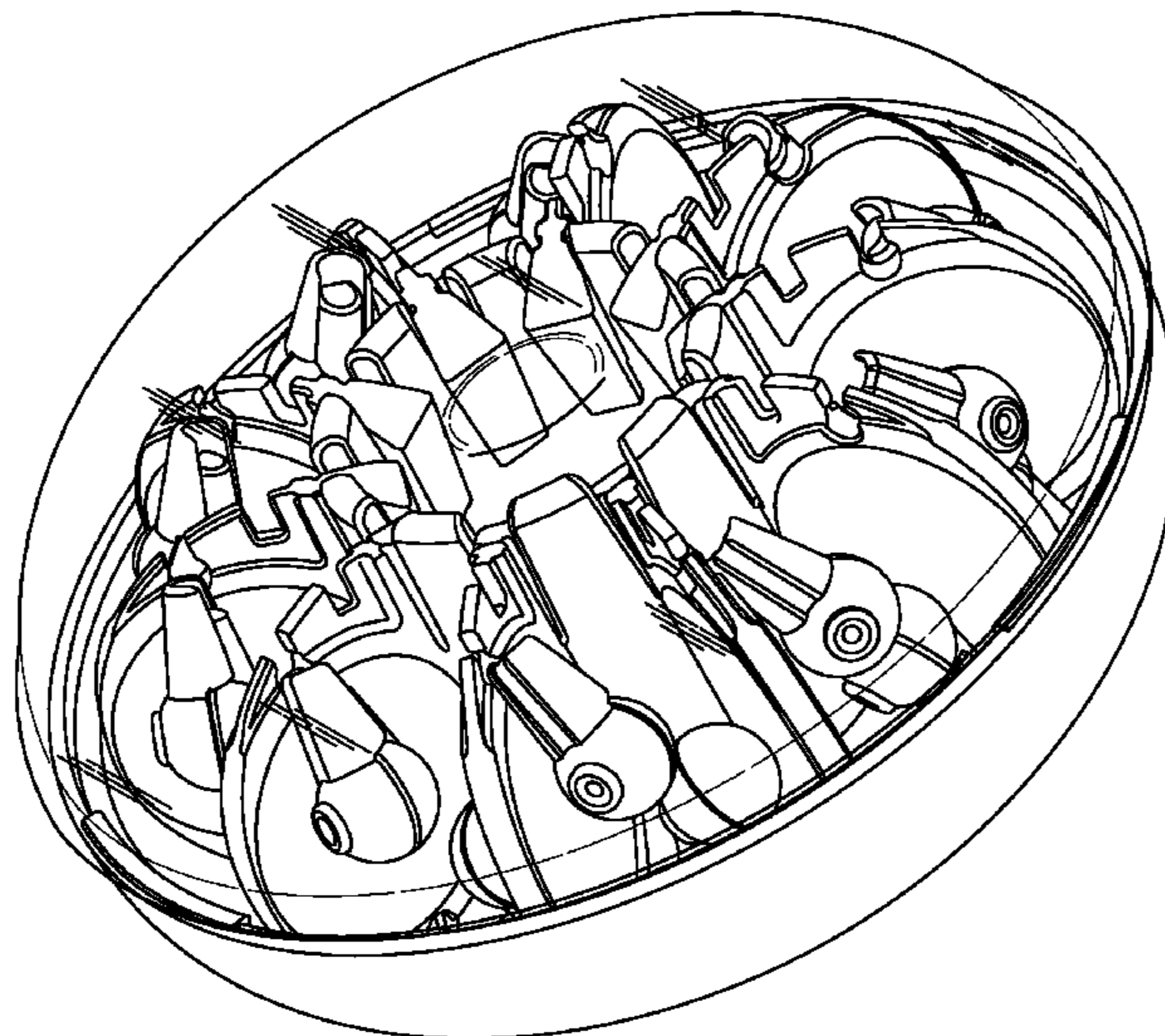
The ornamental design for a hair removal clip assembly, as shown and described.

DESCRIPTION

FIG. 1 is a top view of the clip cover.
FIG. 2 is a side view of the clip cover.

FIG. 3 is a bottom view of the clip cover.
 FIG. 4 is a side view of the clip tray and cover.
 FIG. 5 is top-left perspective of the clip tray and cover.
 FIG. 6 is a top view of the clip tray.
 FIG. 7 is a side view of the clip tray.
 FIG. 8 is a cross-section of the clip tray taken along line 8-8 in FIG. 7.
 FIG. 9 is a top-left perspective of the clip tray.
 FIG. 10 is a front view of the thread holder.
 FIG. 11 is a back view of the thread holder.
 FIG. 12 is a top view of the thread holder.
 FIG. 13 is a bottom view of the thread holder.
 FIG. 14 is a side view of the thread holder.
 FIG. 15 is a bottom-right perspective of the thread holder.
 FIG. 16 is a front view of the thread holder with a thread.
 FIG. 17 is a back view of the thread holder with a thread.
 FIG. 18 is a top view of the thread holder with a thread.
 FIG. 19 is a bottom view of the thread holder with a thread.
 FIG. 20 is a side view of the thread holder with thread.
 FIG. 21 is a bottom-right perspective of the thread holder with thread.
 FIG. 22 is a side view of the clip assembly with thread holders, thread and a clip tray (no cover).
 FIG. 23 is a top view of the clip assembly with thread holders, thread and a clip tray (No Cover).
 FIG. 24 is a top-left perspective of the clip assembly with thread holders, thread and a clip tray (No Cover).
 FIG. 25 is a side view of the clip assembly with thread holders, clip tray and clip cover.
 FIG. 26 is a top view of clip assembly with thread holders, clip tray and clip cover.
 FIG. 27 is a cross section side view of the clip assembly with thread holders, clip tray and clip cover taken along line 27-27 in FIG. 25; and,
 FIG. 28 is a top-left perspective of the clip assembly with thread holders, clip tray and clip cover.
 The elements of the hair removal clip assembly are shown separately for convenience of illustration.

1 Claim, 13 Drawing Sheets



US D696,457 S

Page 2

(56)

References Cited

U.S. PATENT DOCUMENTS

				2008/0319454 A1*	12/2008	Figuigui	606/133
				2011/0106103 A1*	5/2011	Levi	606/133
				2011/0295275 A1*	12/2011	Mueller	606/133
D632,844 S	*	2/2011	Sun	D28/44.1			
D645,201 S	*	9/2011	Levi	D28/44			

* cited by examiner

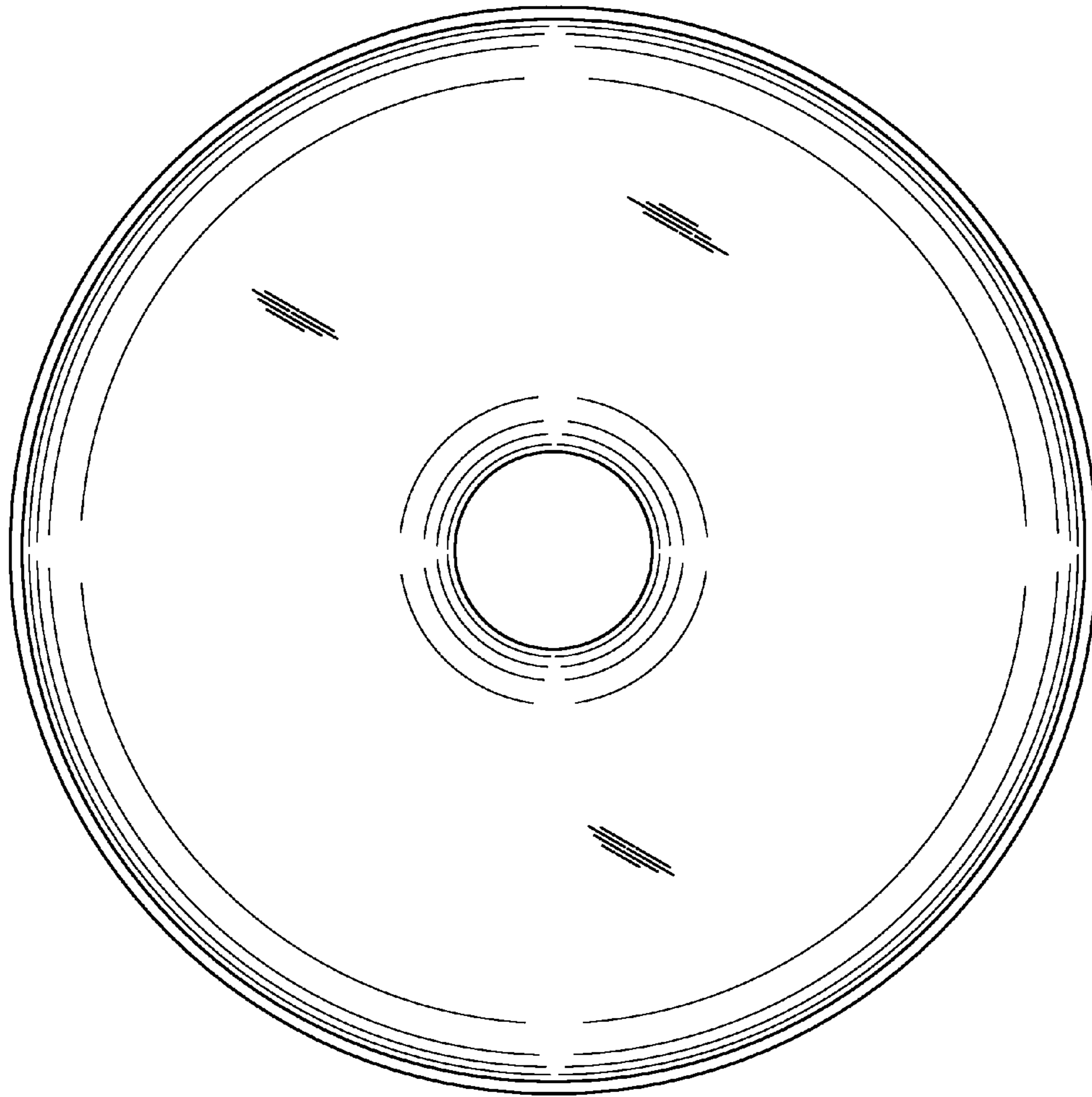


Figure 1

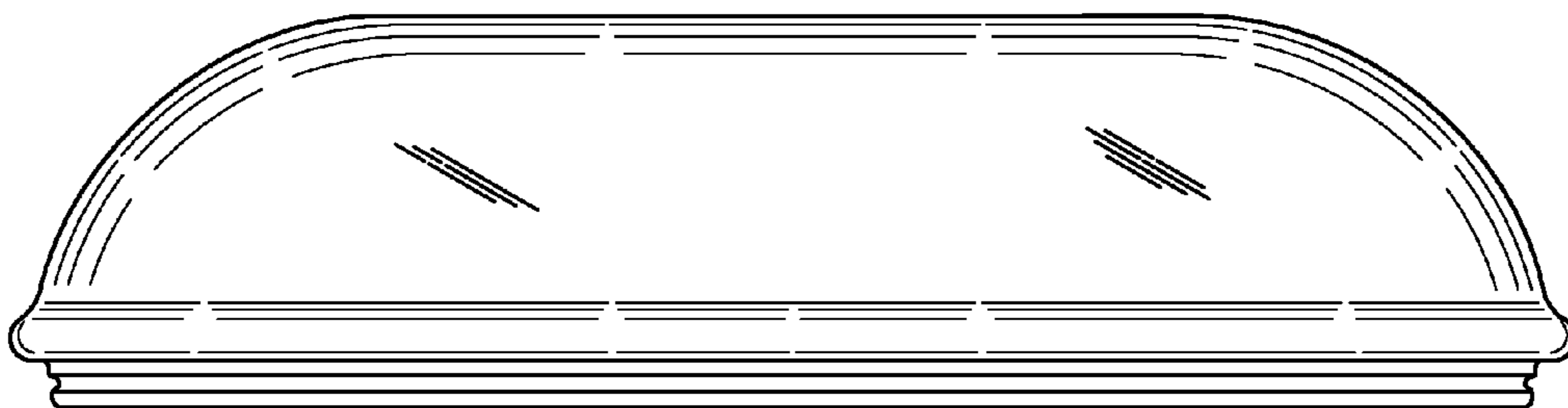


Figure 2

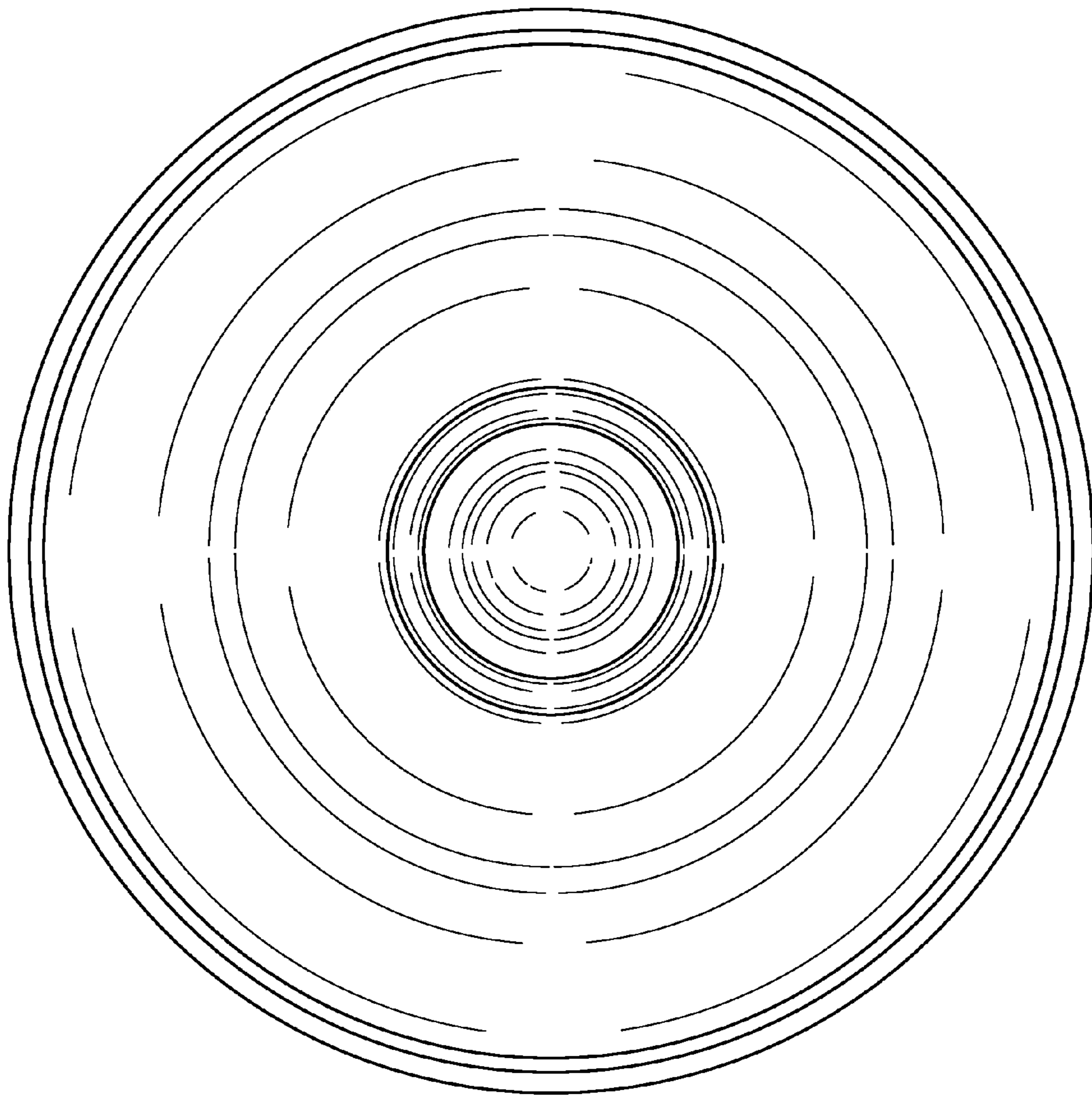


Figure 3

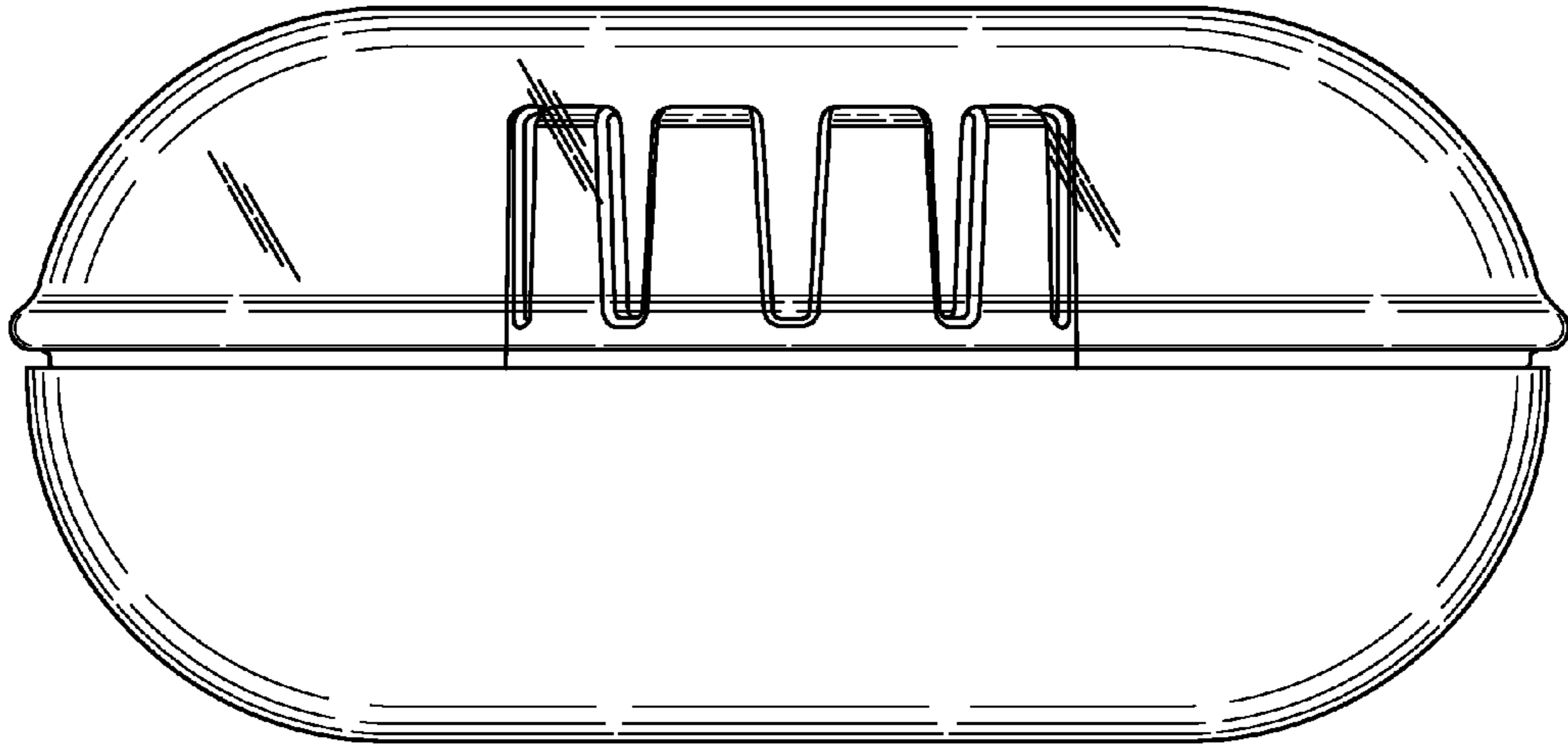


Figure 4

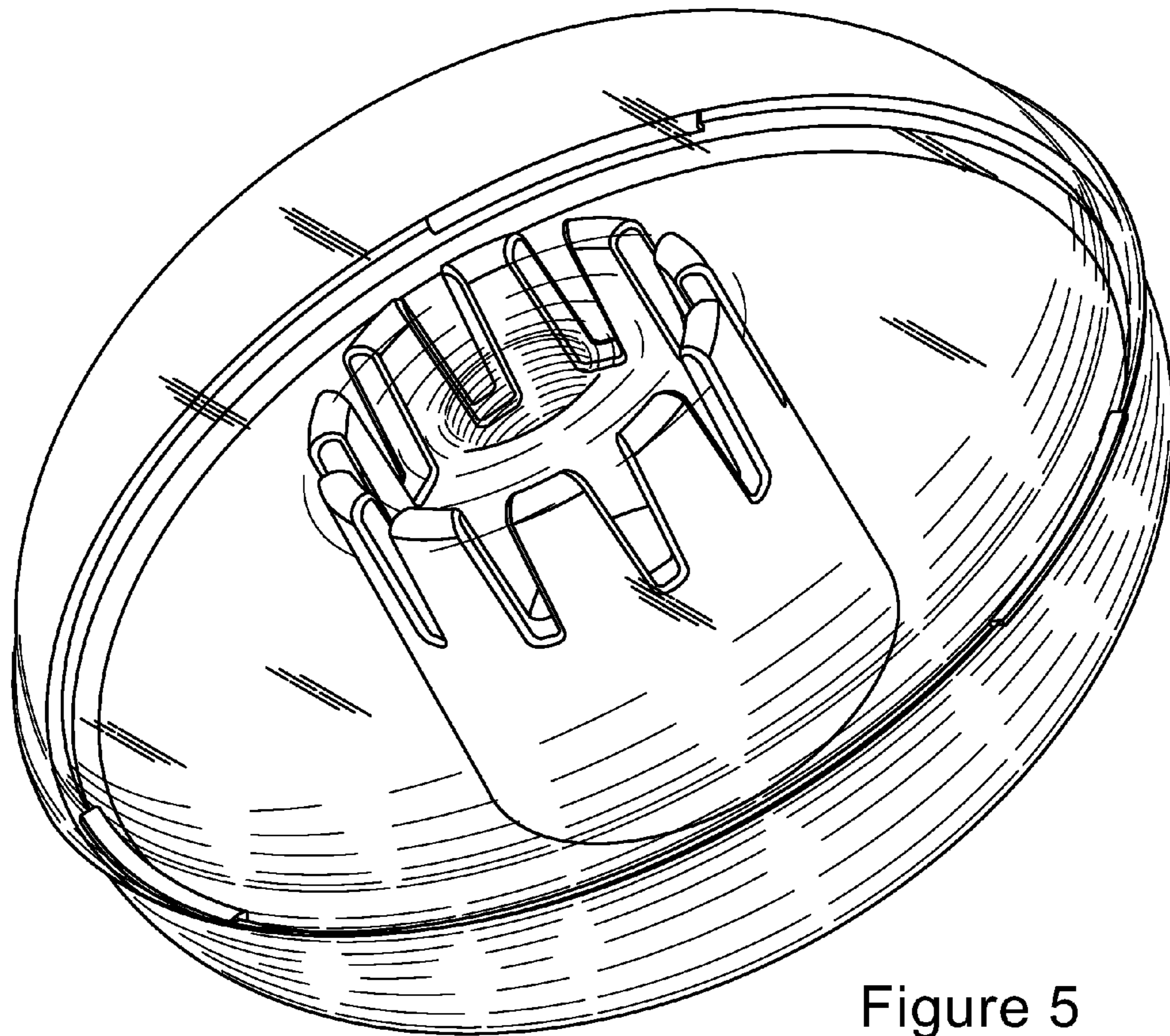


Figure 5

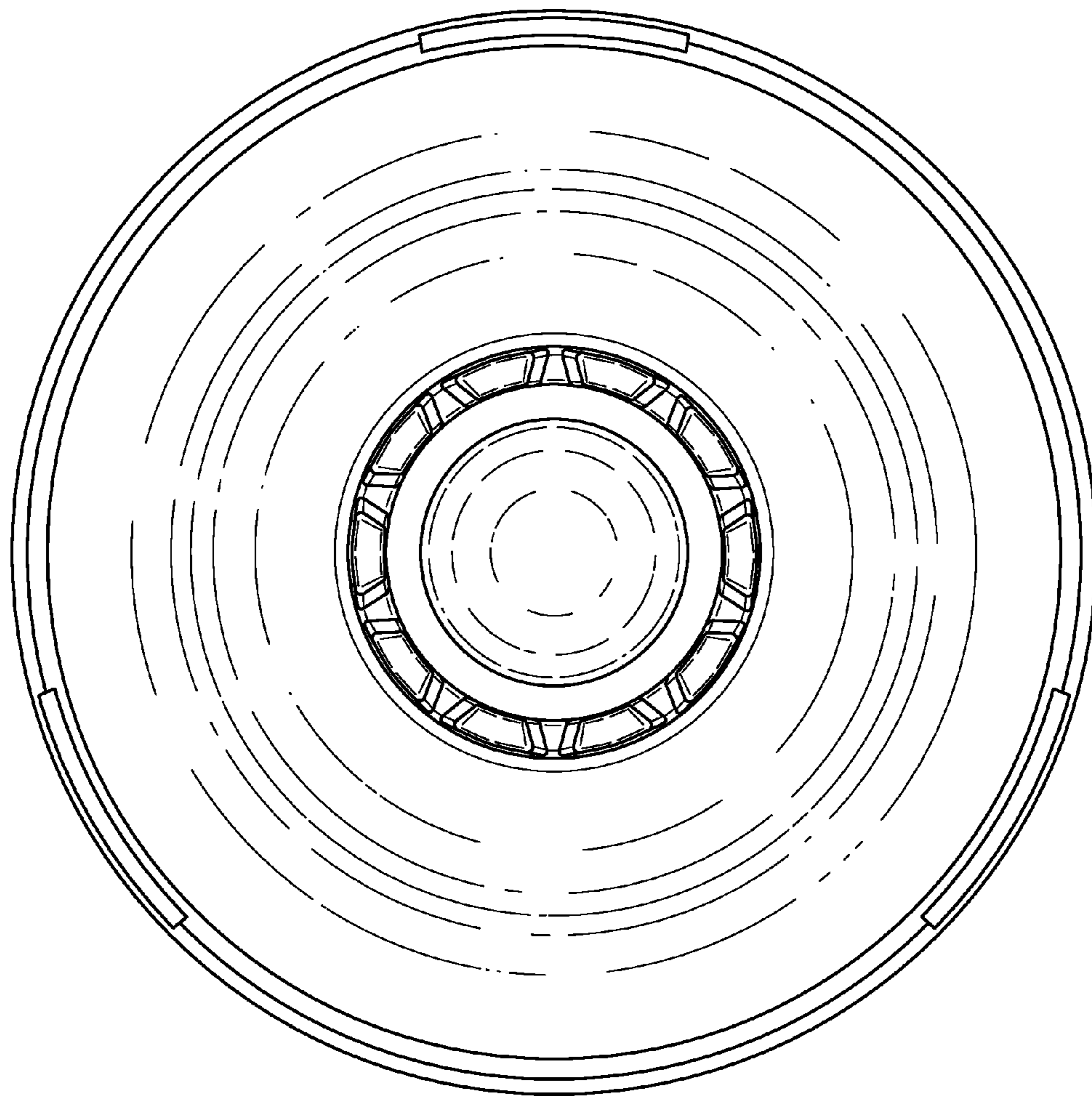


Figure 6

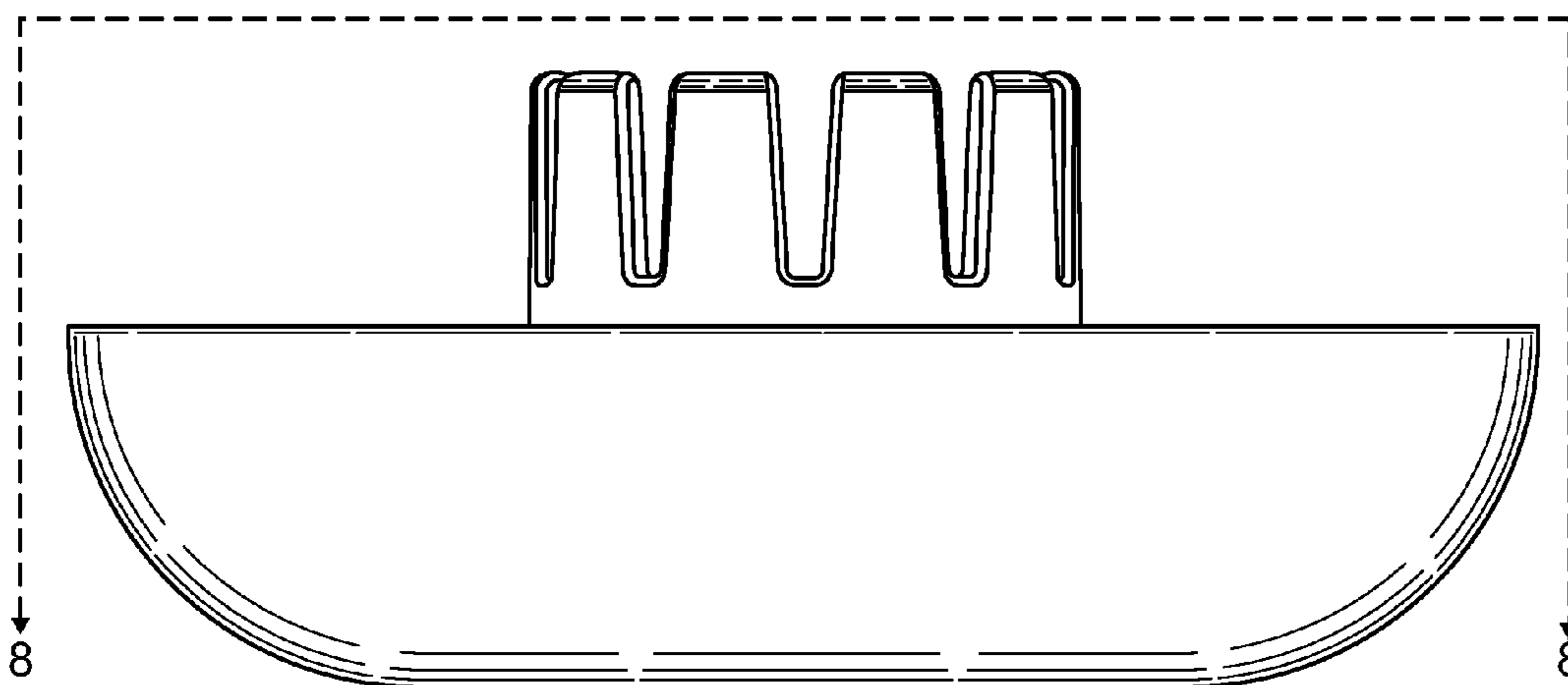


Figure 7

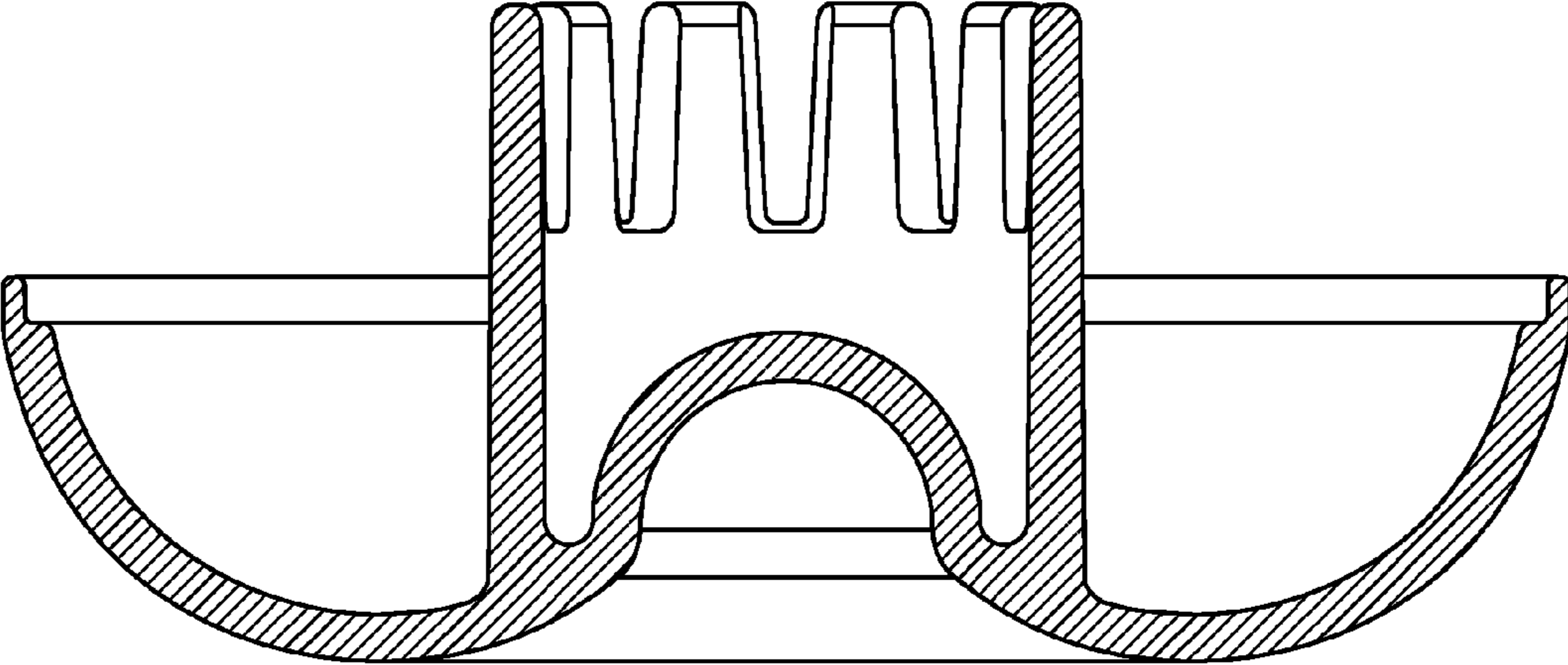


Figure 8

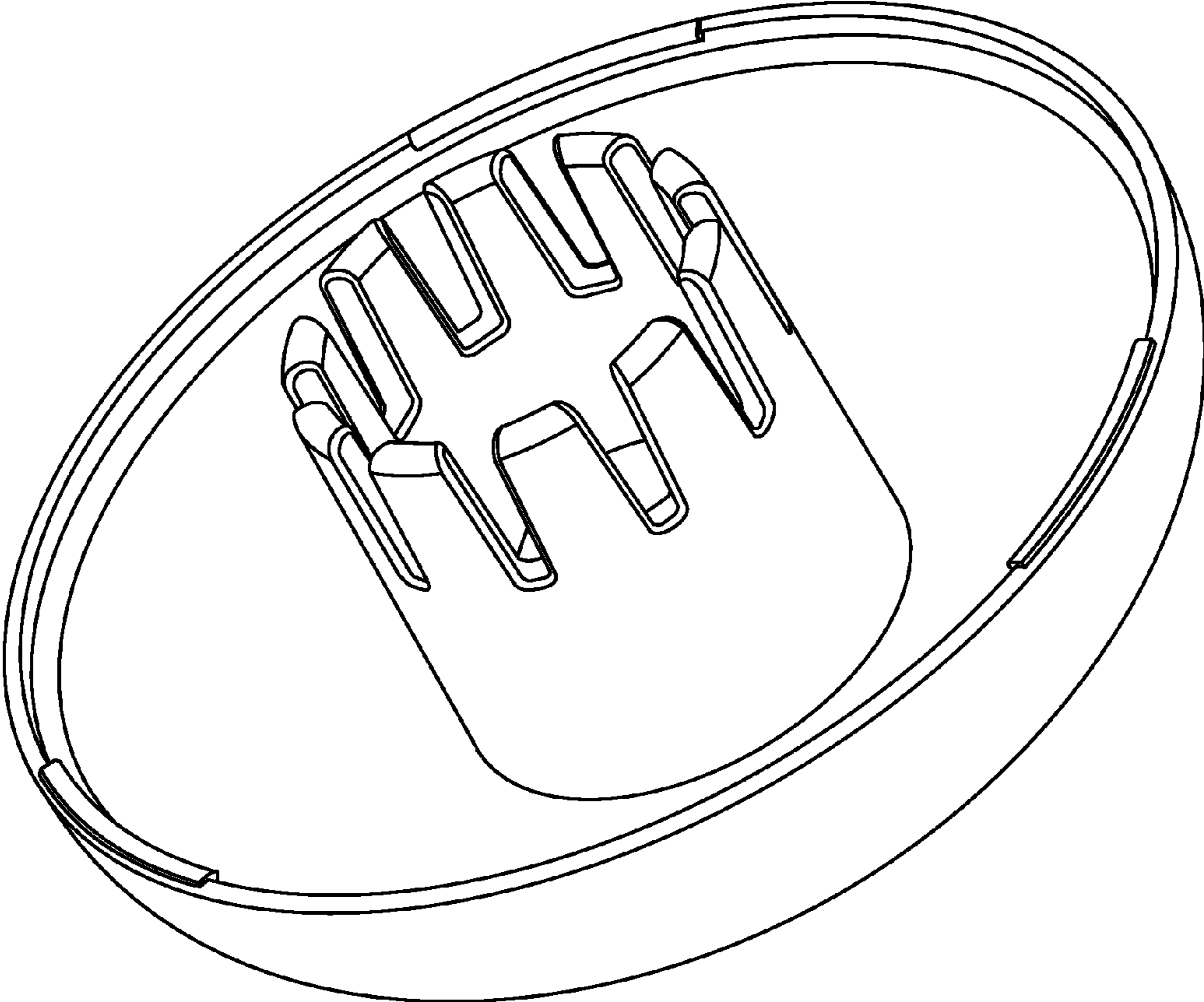


Figure 9

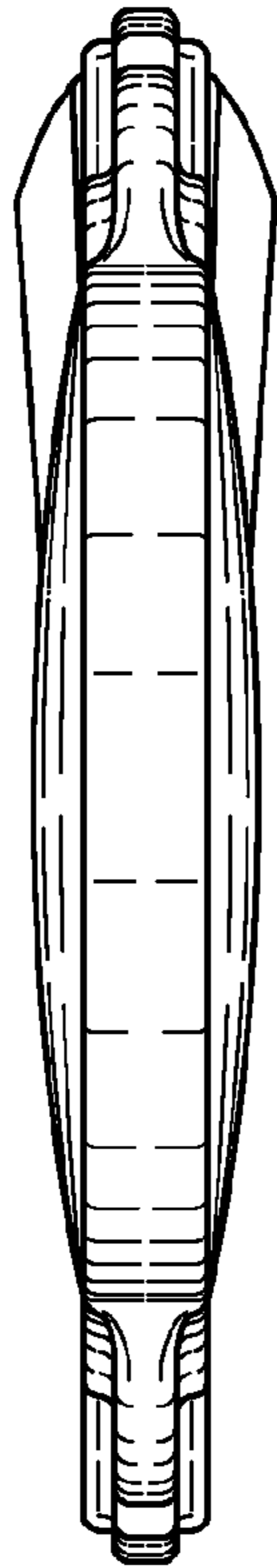


Figure 10

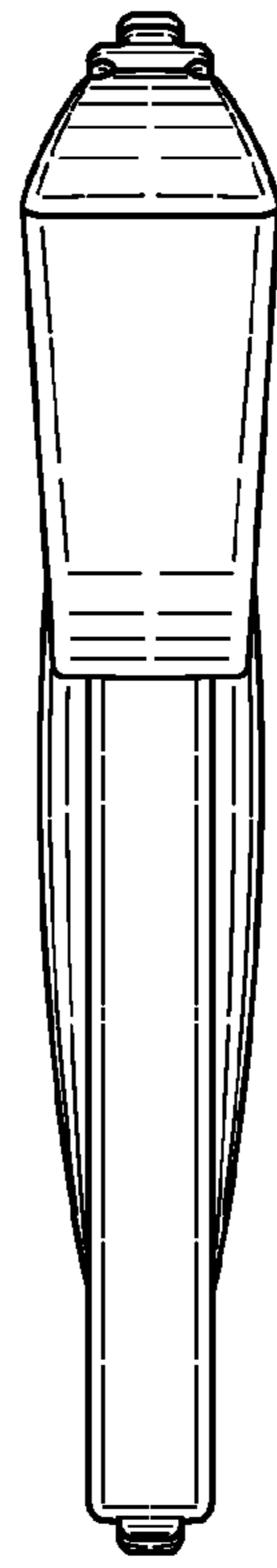


Figure 11

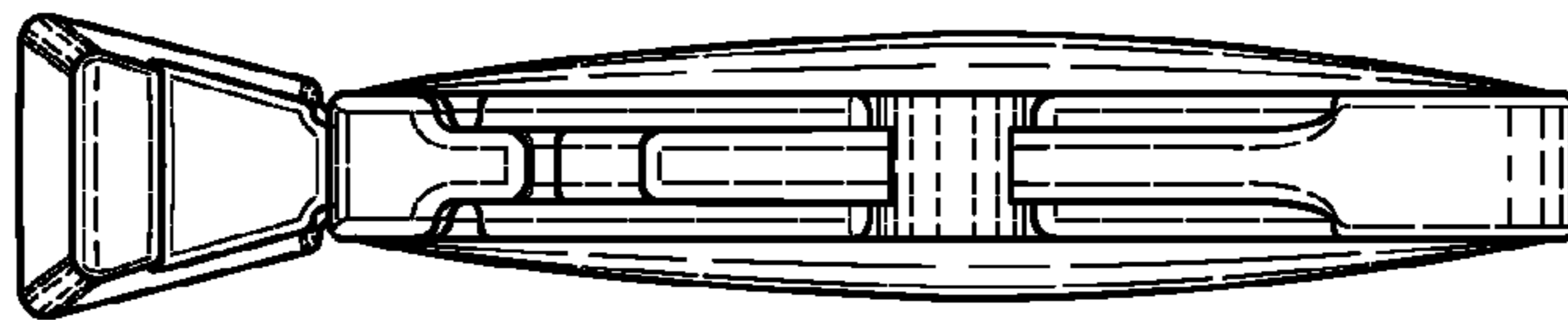


Figure 12

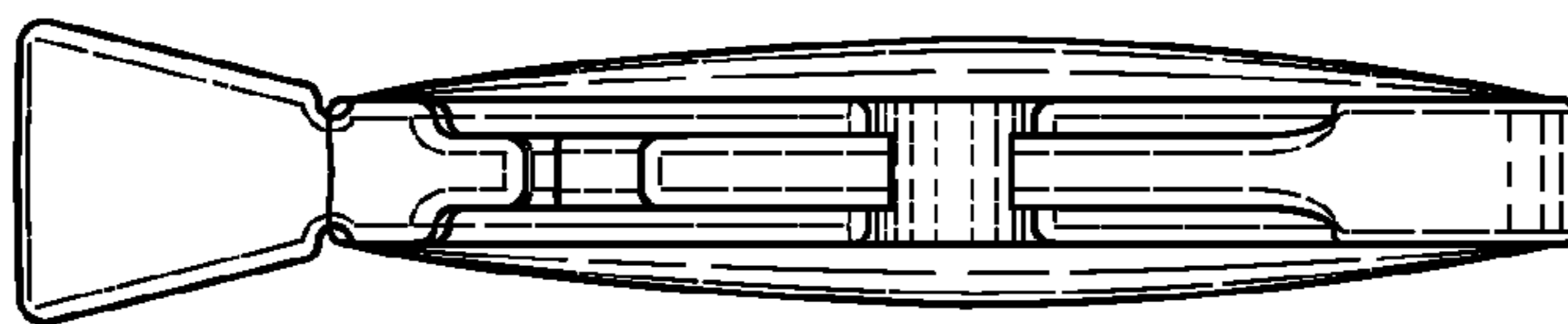


Figure 13

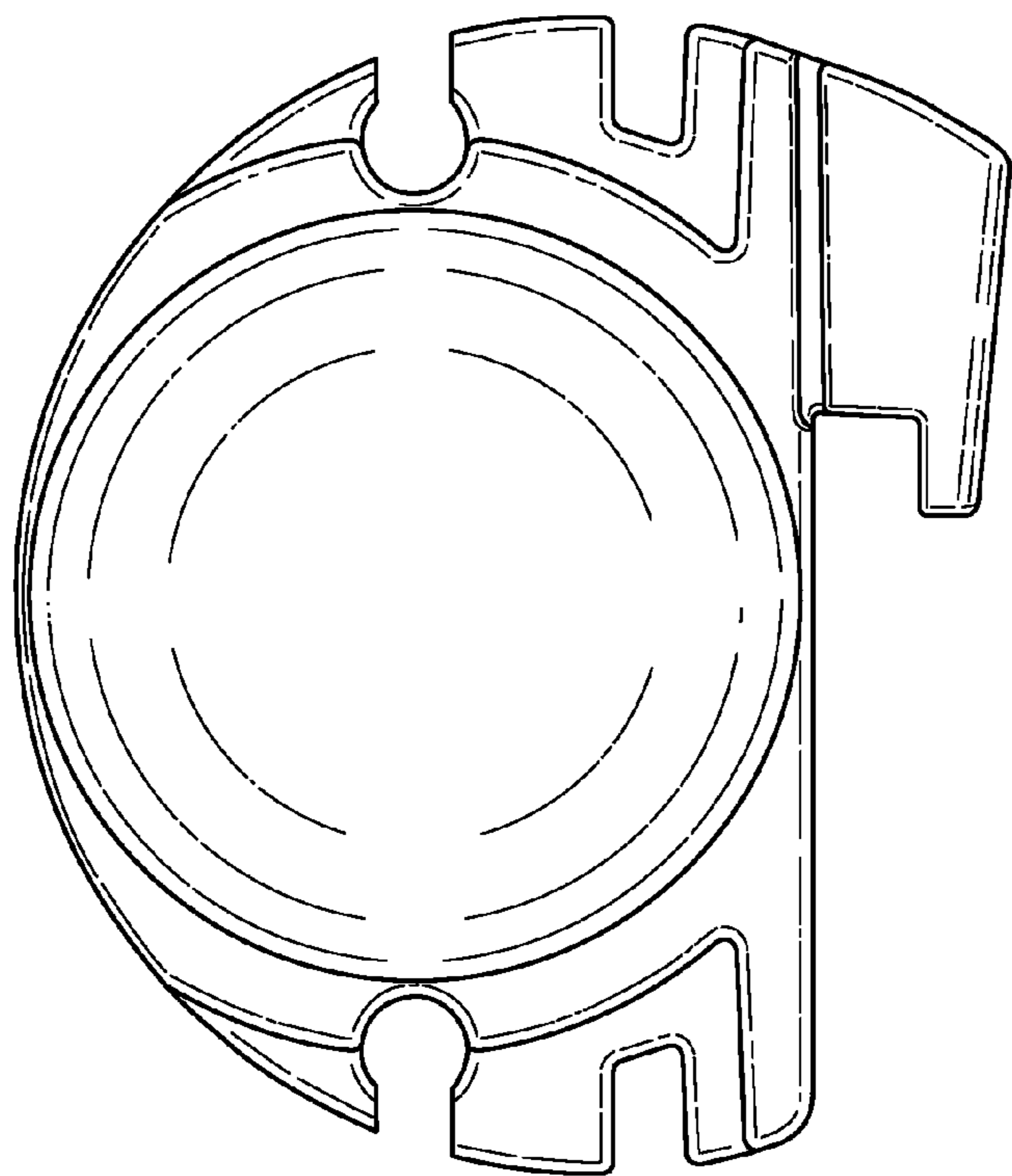


Figure 14

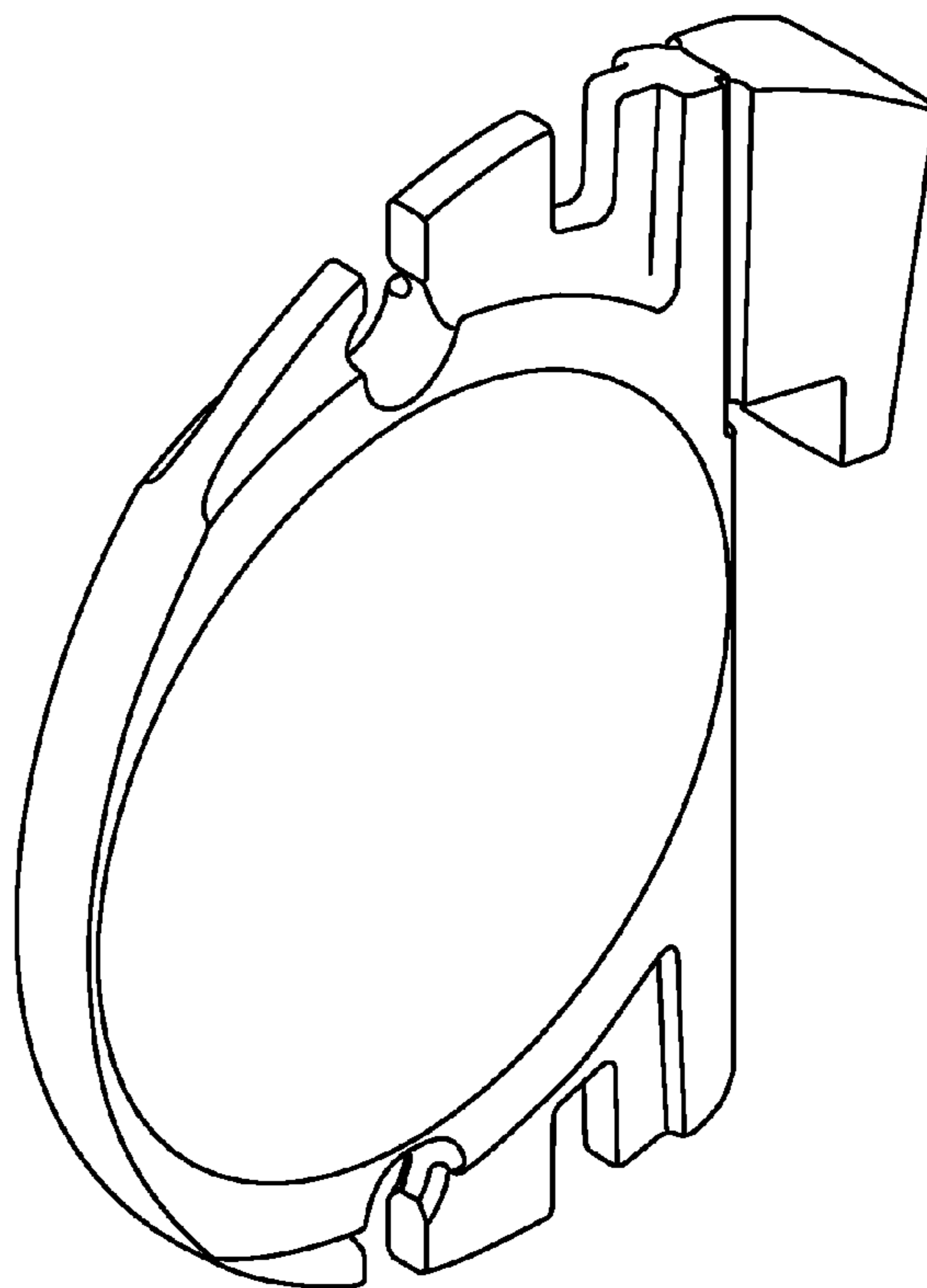


Figure 15

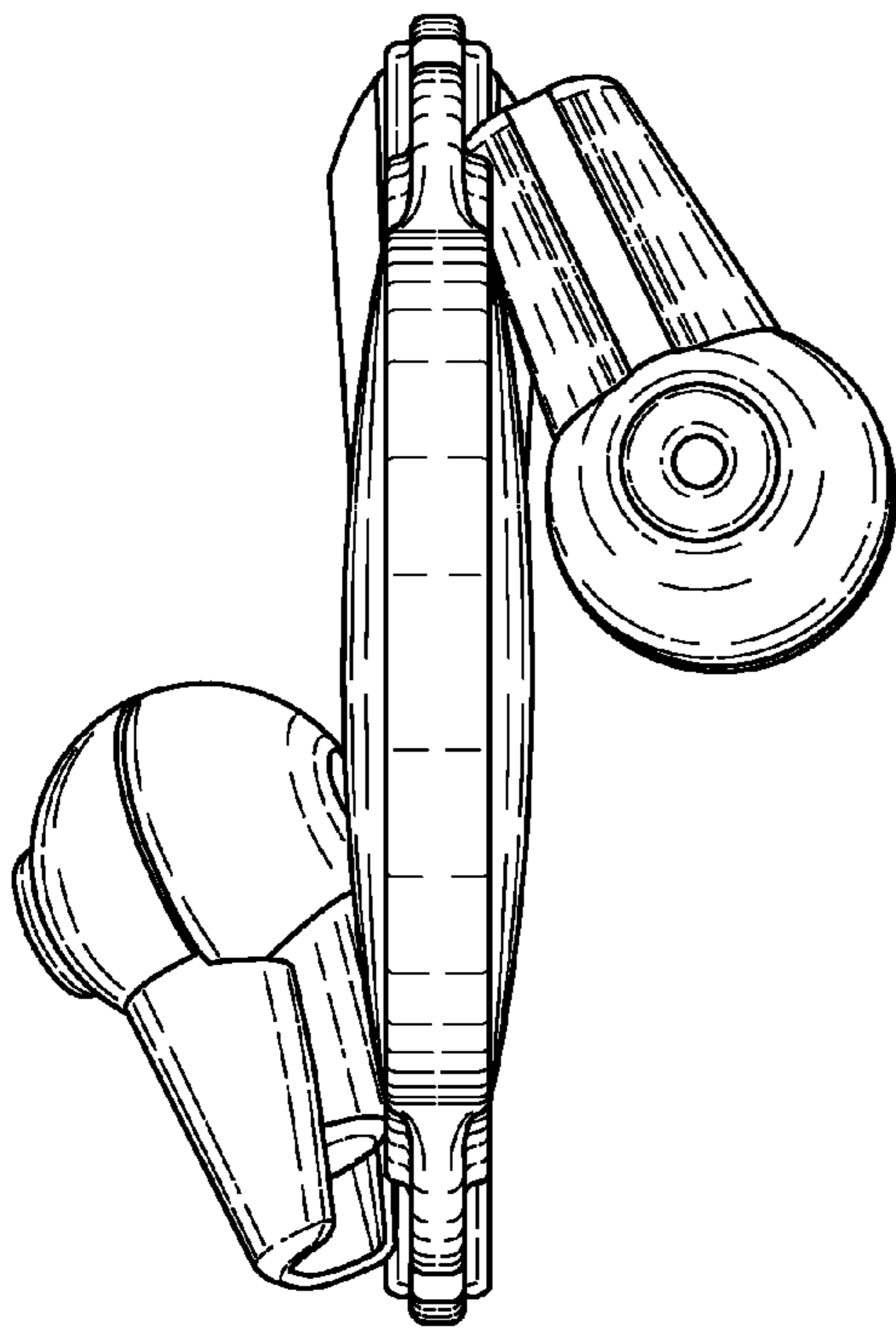


Figure 16

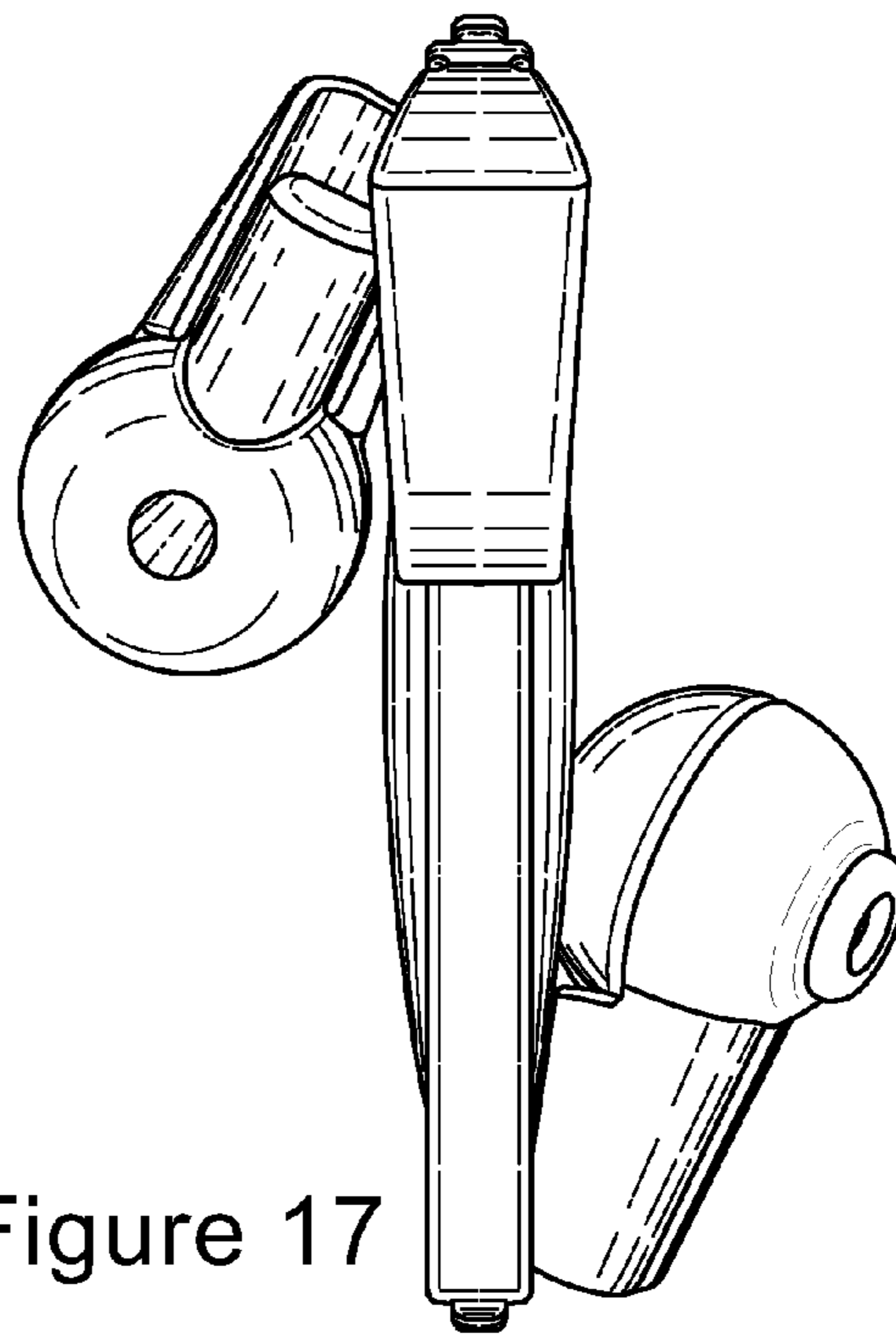


Figure 17

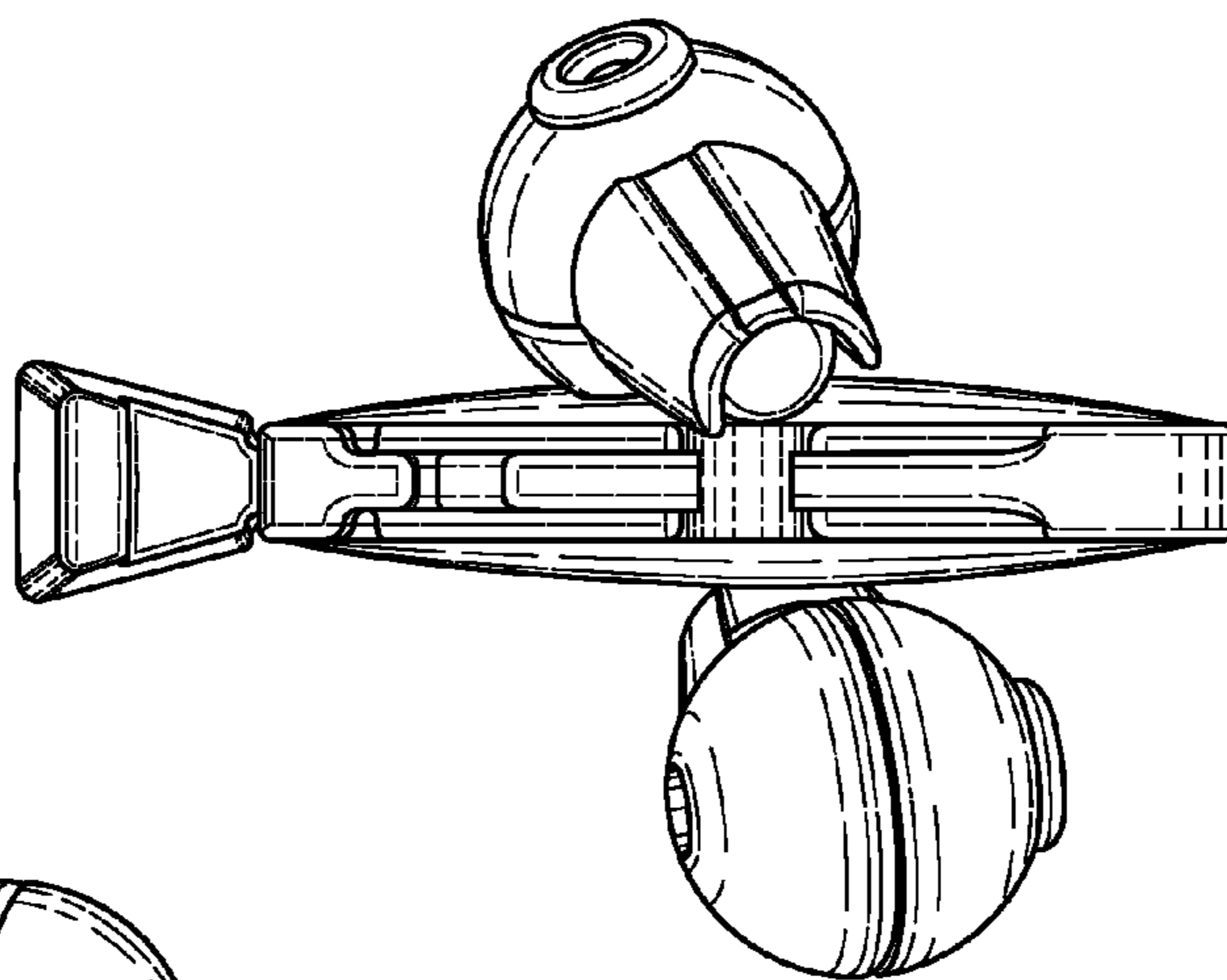


Figure 18

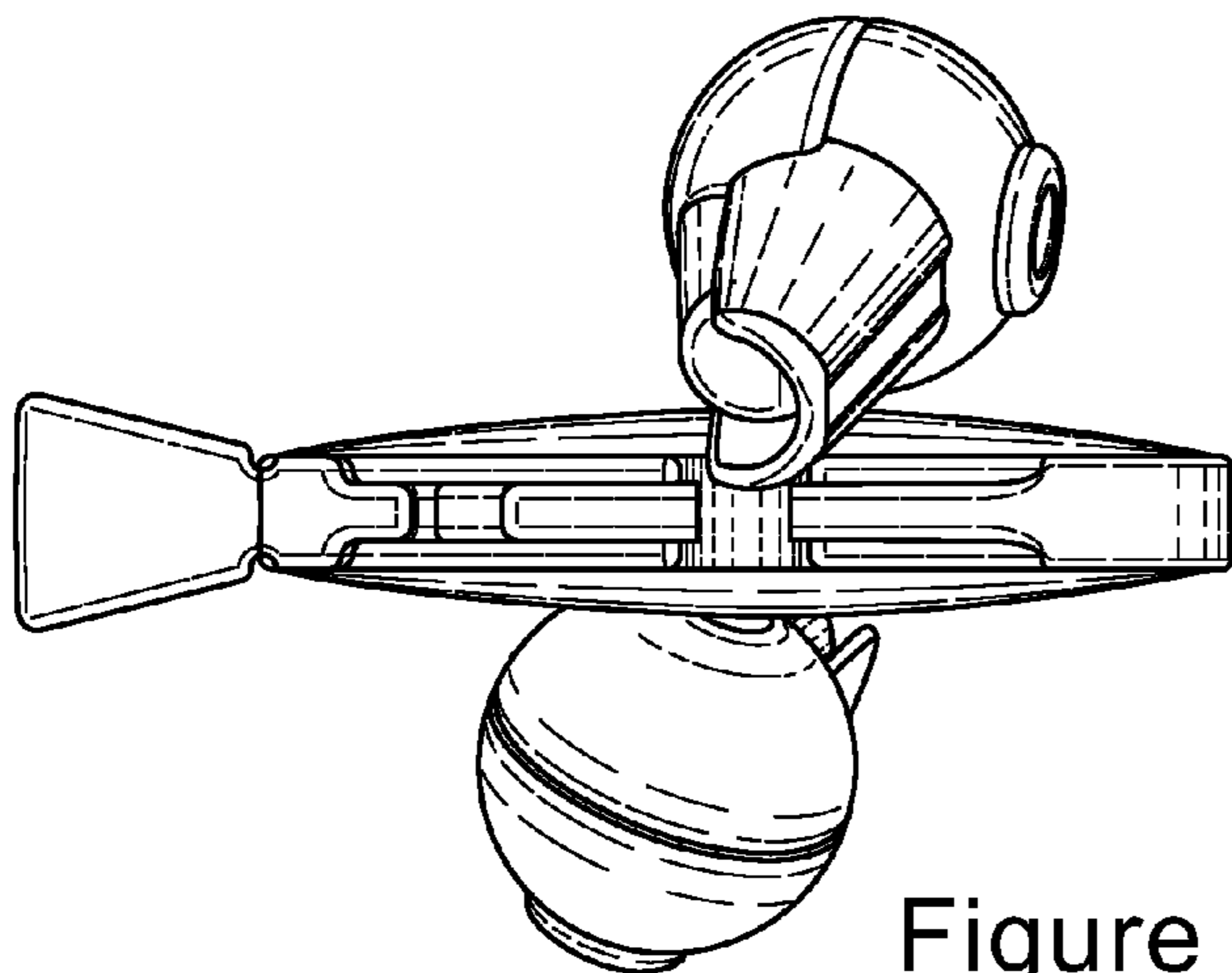


Figure 19

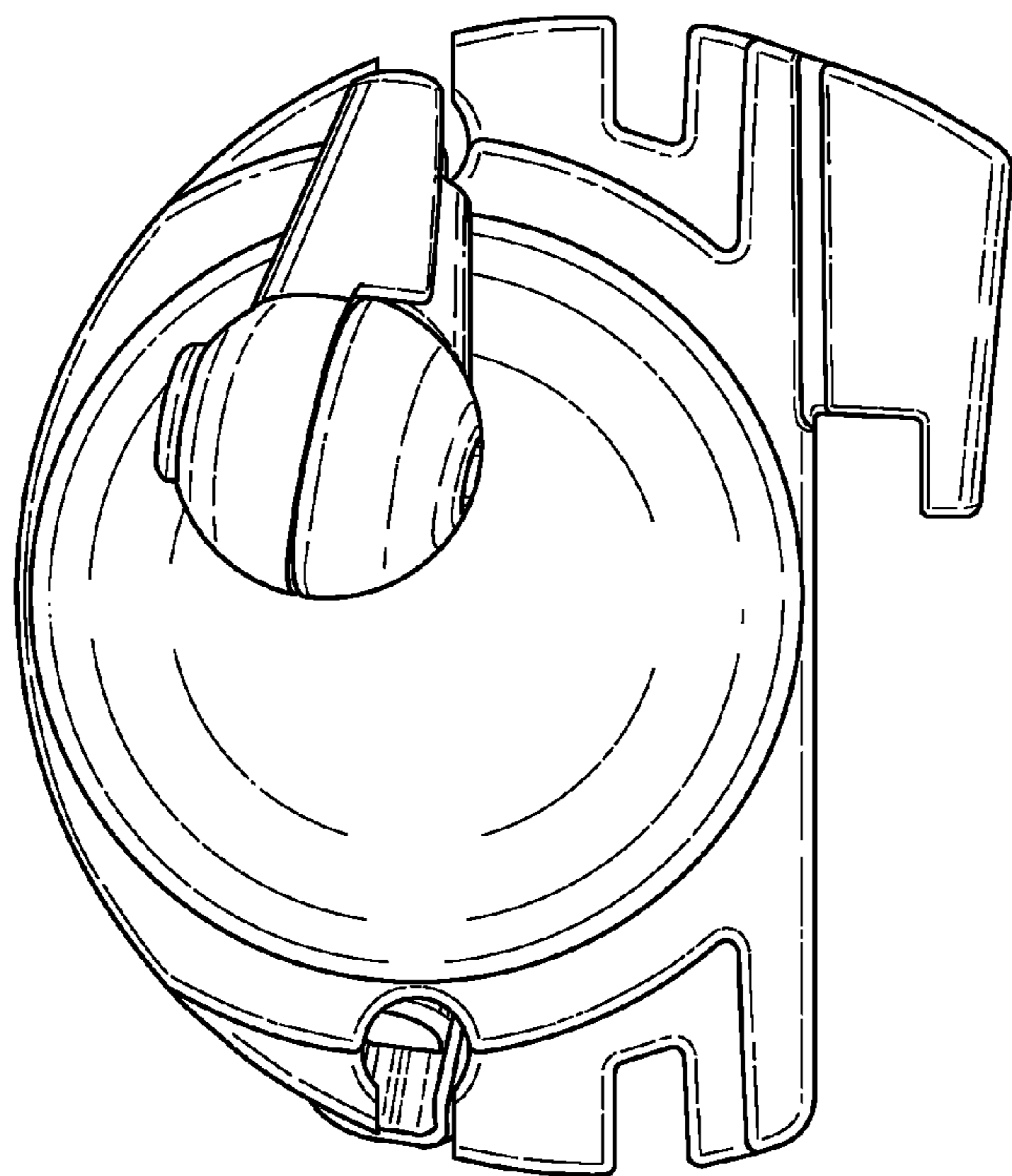


Figure 20

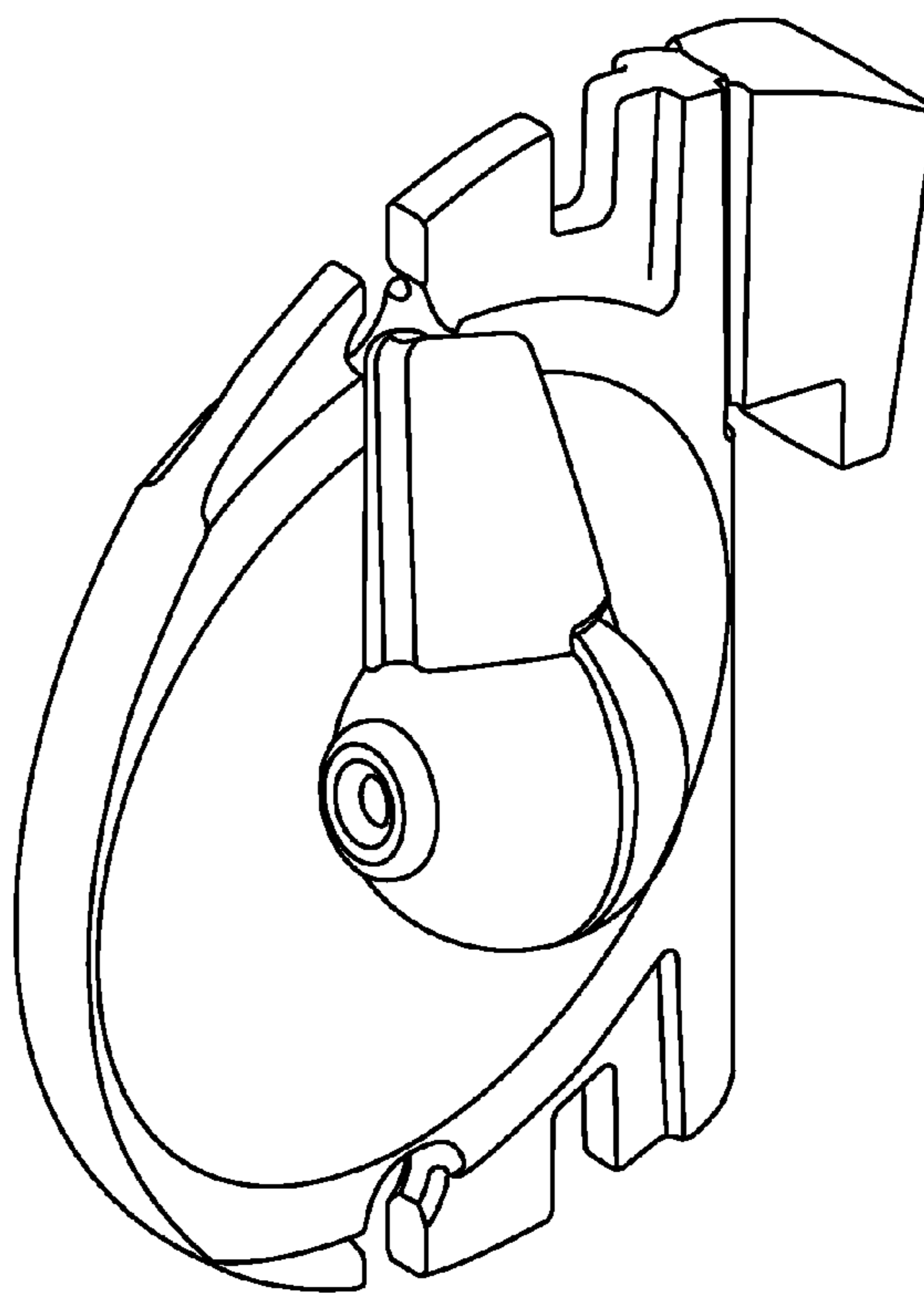


Figure 21

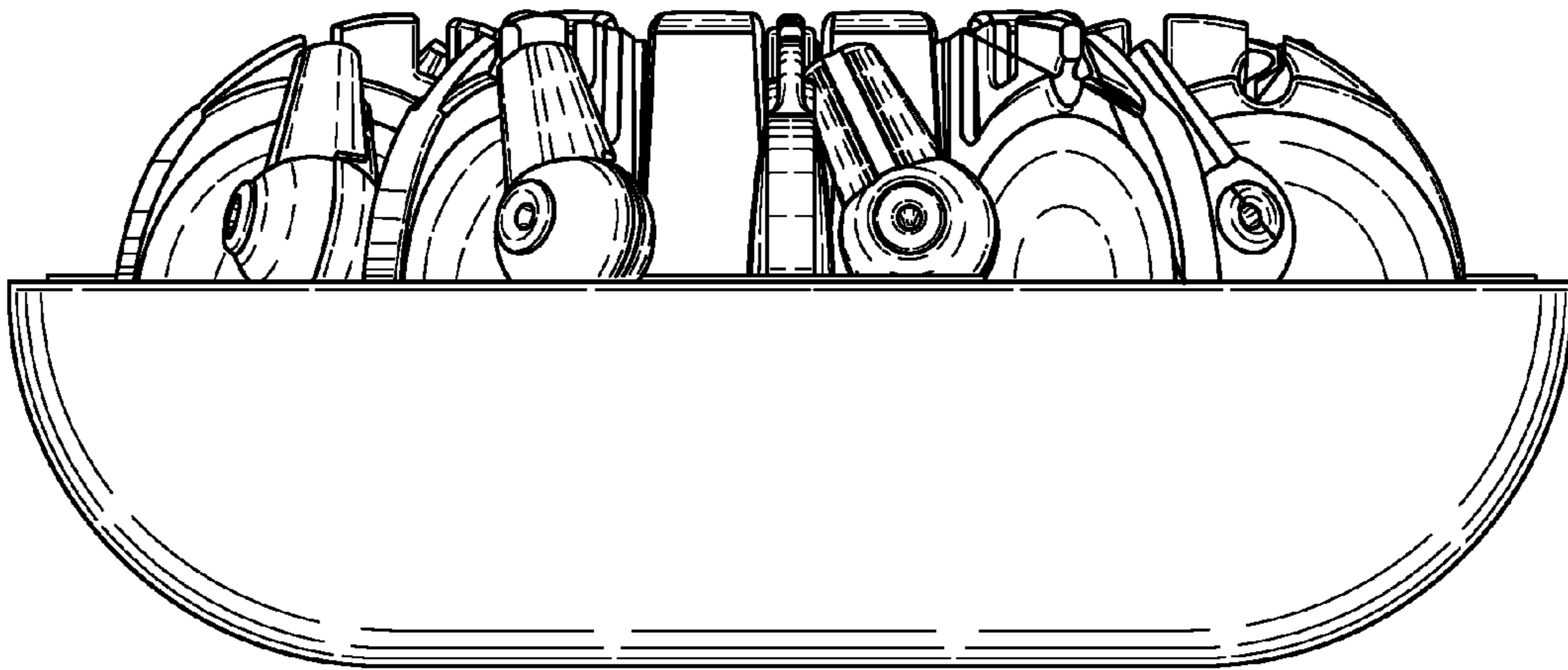


Figure 22

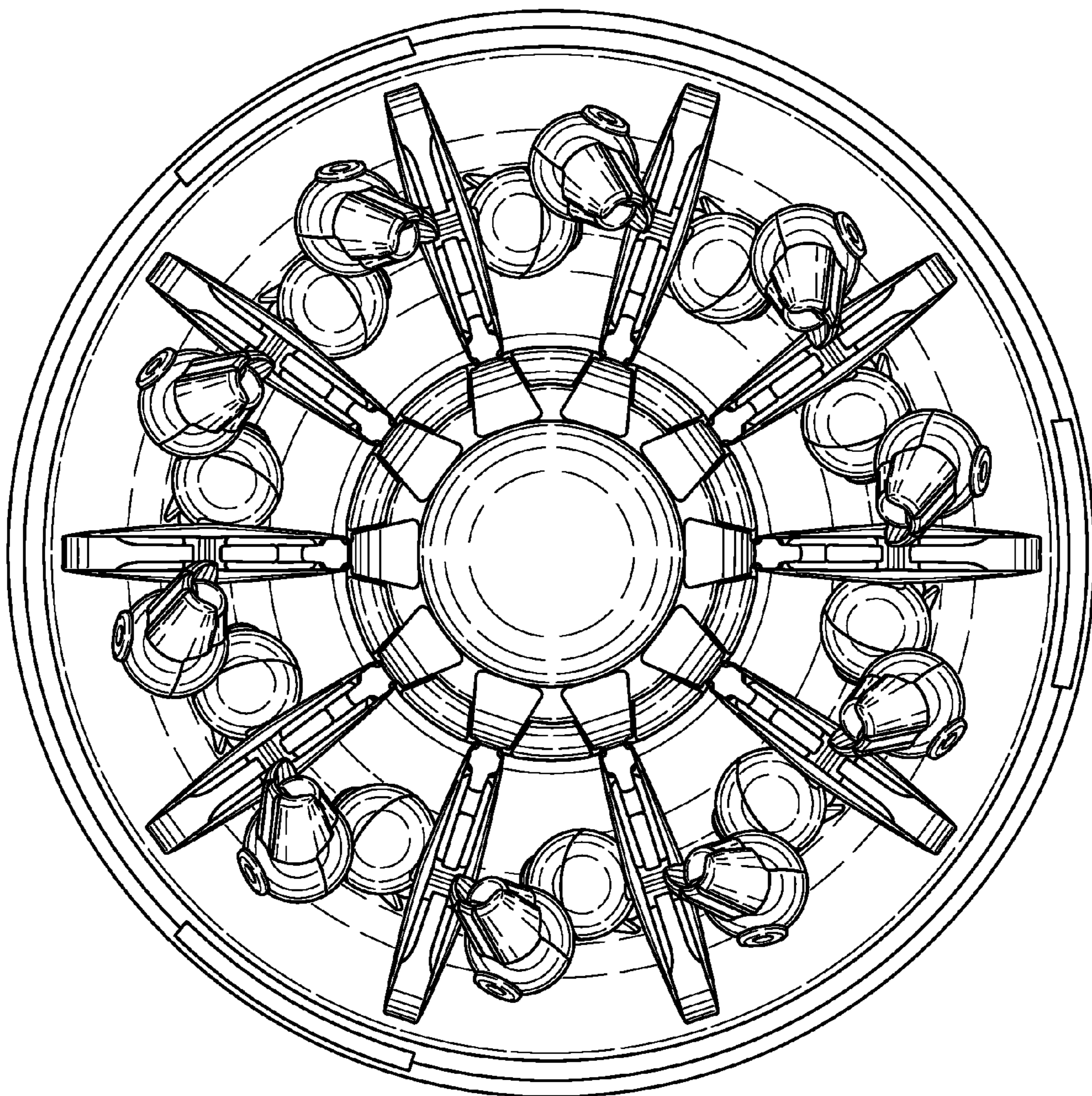


Figure 23

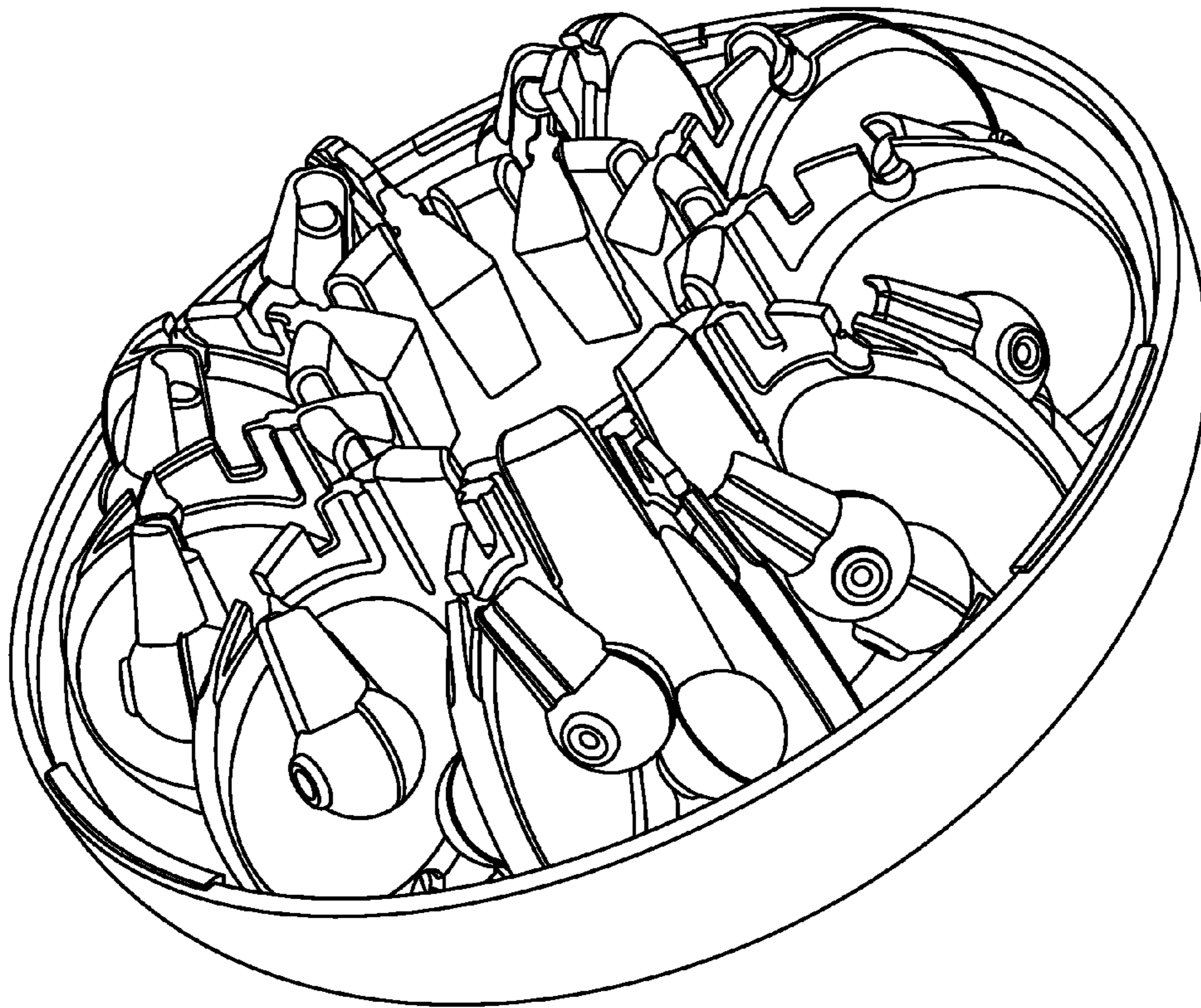


Figure 24

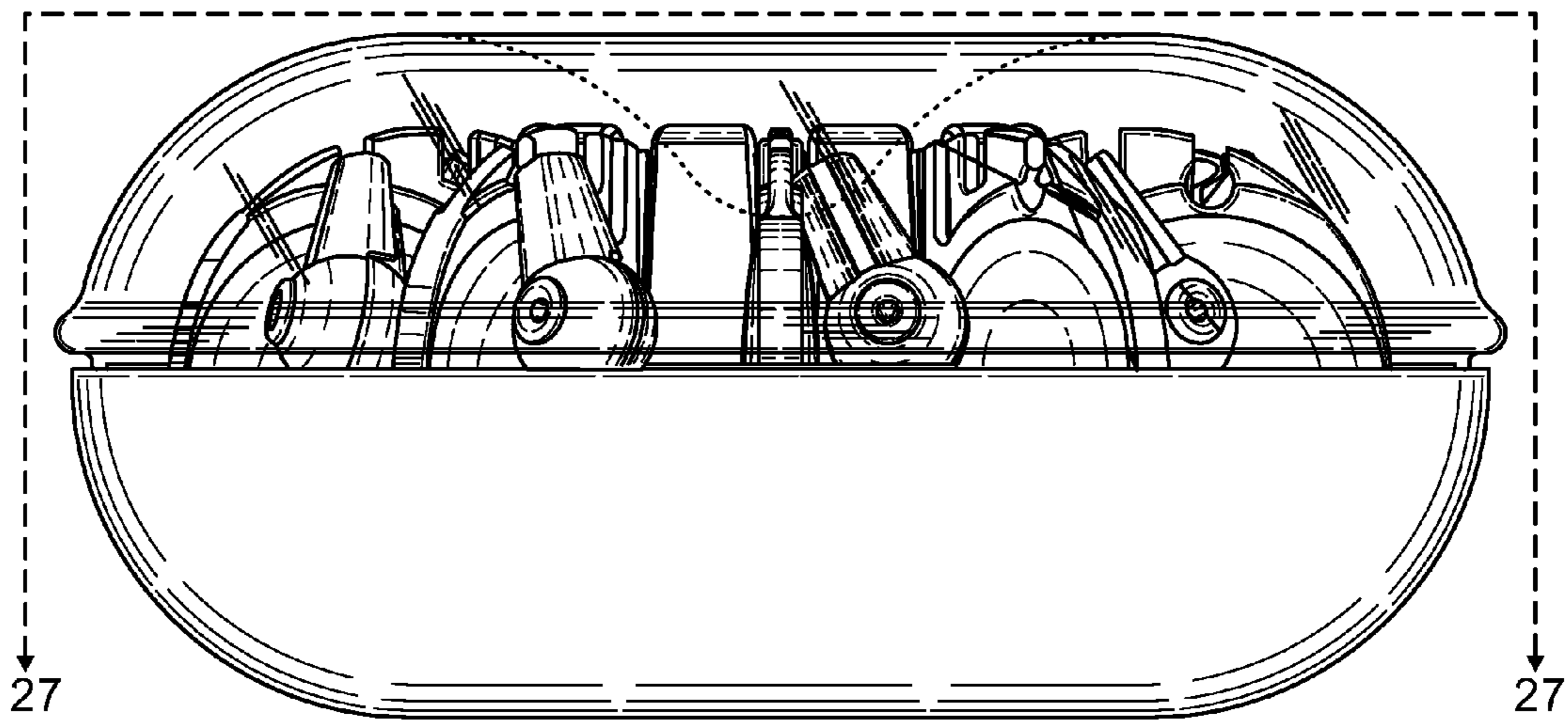


Figure 25

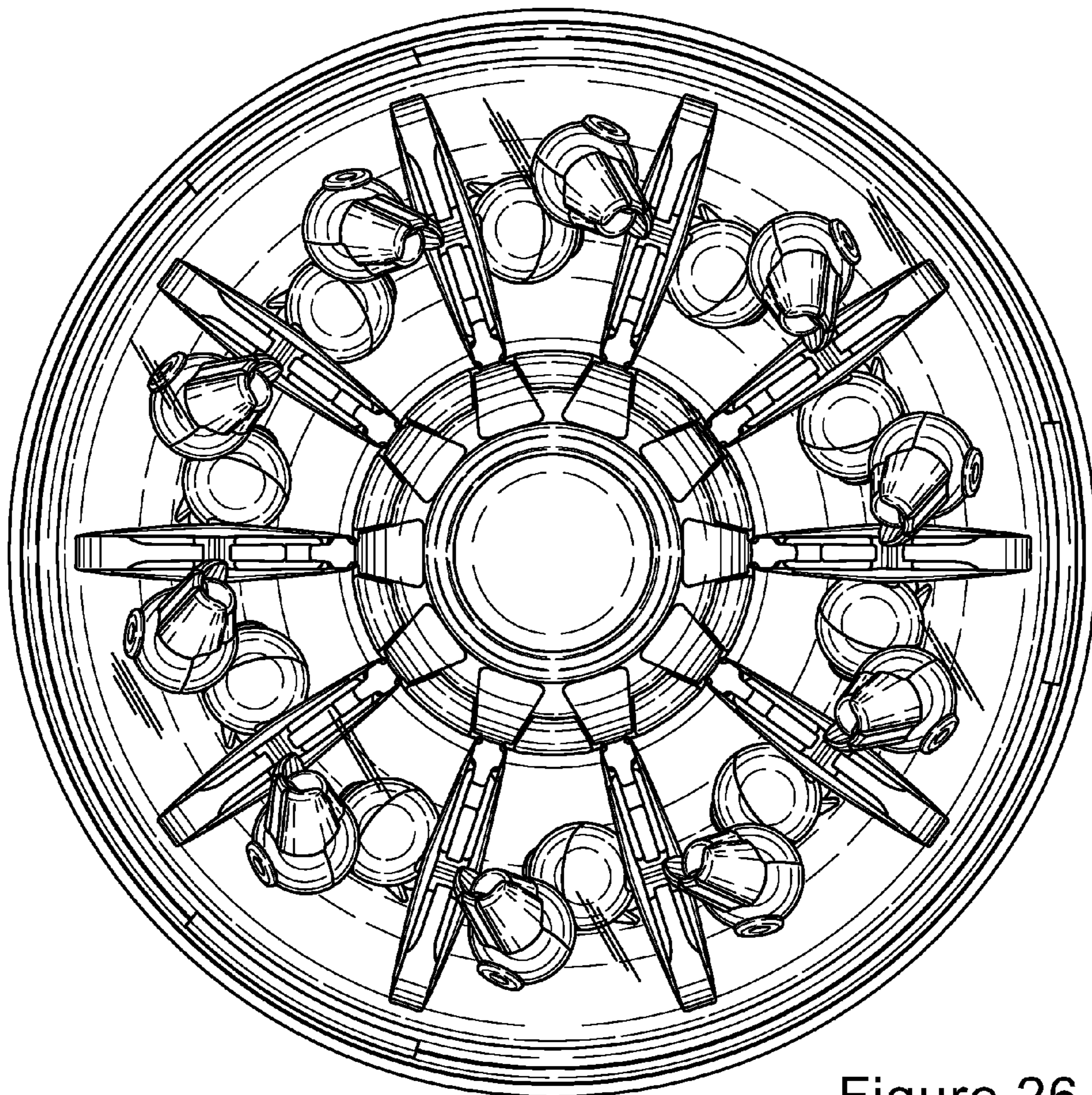


Figure 26

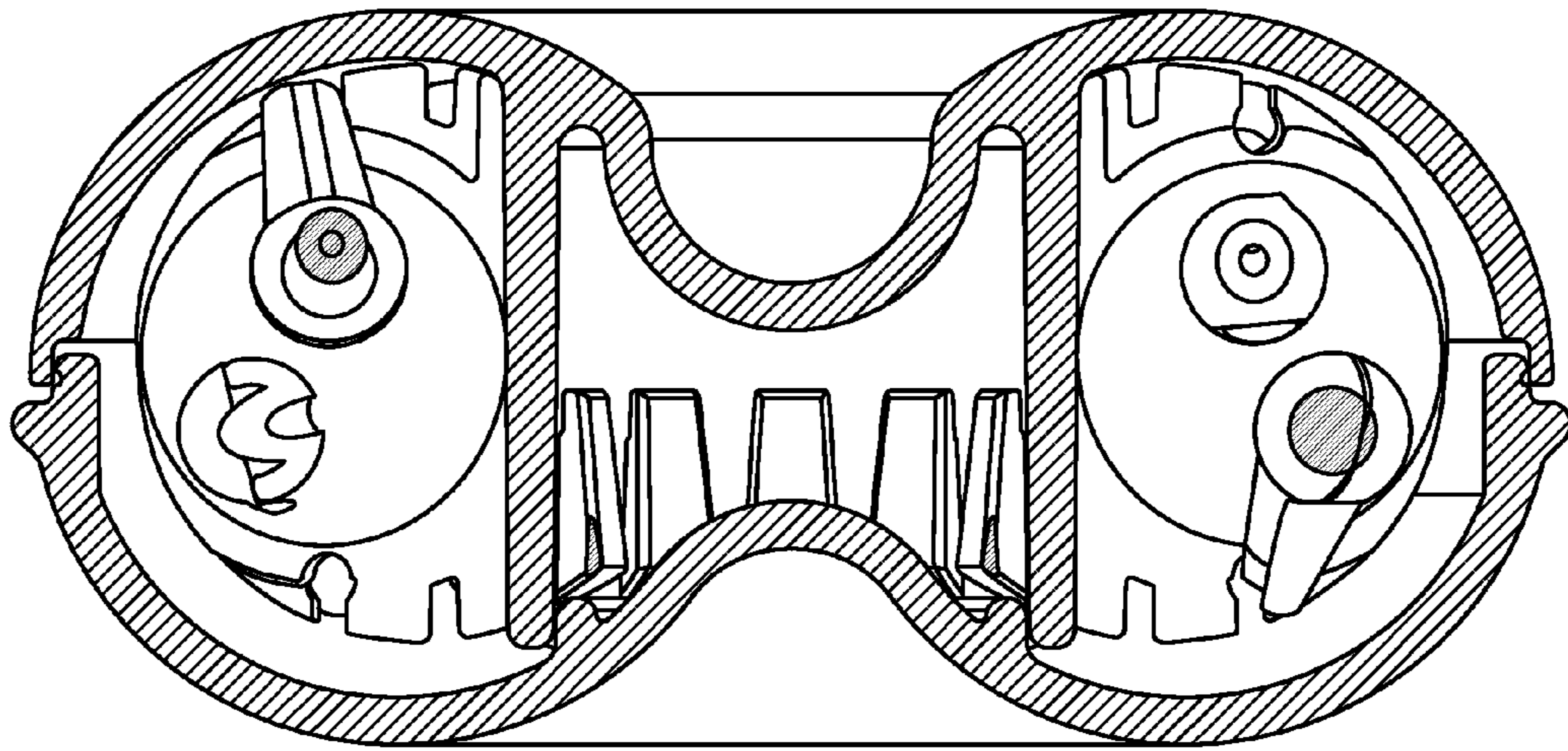


Figure 27

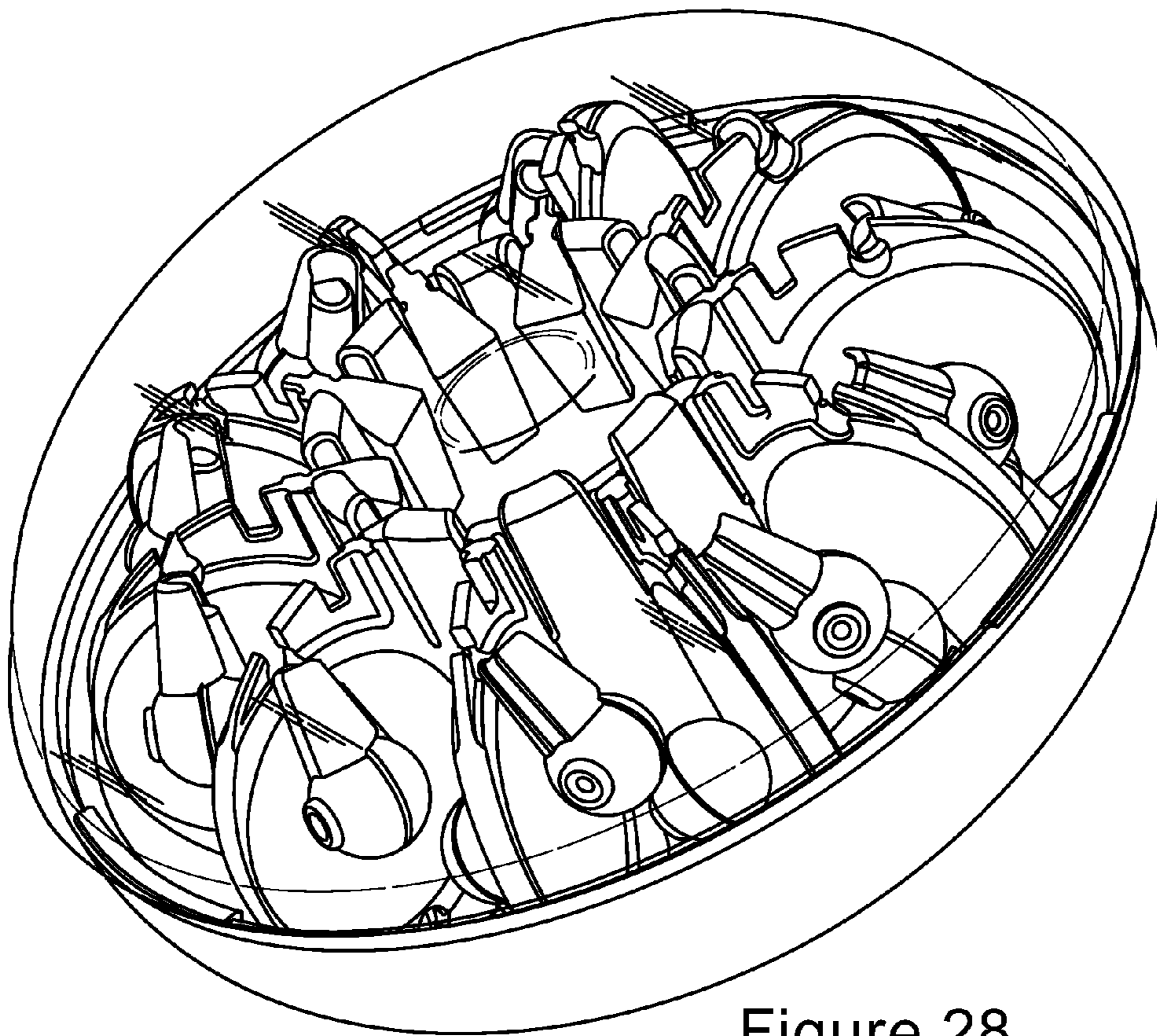


Figure 28