



US00D696456S

(12) **United States Design Patent**
Julemont

(10) **Patent No.:** **US D696,456 S**

(45) **Date of Patent:** **** Dec. 24, 2013**

(54) **HAIR STYLIZING APPARATUS**

(71) Applicant: **Conair Corporation**, Stamford, CT
(US)

(72) Inventor: **Pierre L. Julemont**, Soumagne (BE)

(73) Assignee: **Babyliss FACO SPRL**, Wandre (BE)

(**) Term: **14 Years**

(21) Appl. No.: **29/451,845**

(22) Filed: **Apr. 9, 2013**

(51) **LOC (9) Cl.** **28-03**

(52) **U.S. Cl.**
USPC **D28/35**

(58) **Field of Classification Search**
USPC 219/222–226; 132/222, 223–272;
D28/35, 37–38, 40

See application file for complete search history.

(56) **References Cited**

U.S. PATENT DOCUMENTS

D491,310 S * 6/2004 Glucksman et al. D28/35
D502,288 S * 2/2005 Longoria D28/20
D502,568 S * 3/2005 Longoria D28/20
D515,738 S * 2/2006 Grassi D28/35

D537,982 S * 3/2007 Kim D28/35
D672,498 S * 12/2012 Kim D28/35
2013/0125919 A1* 5/2013 De Benedictis et al. 132/238

* cited by examiner

Primary Examiner — Jennifer Rivard

(74) *Attorney, Agent, or Firm* — Carter, DeLuca, Farrell &
Schmidt, LLP

(57) **CLAIM**

The ornamental design for a hair stylizing apparatus, as shown and described.

DESCRIPTION

FIG. 1 is a perspective view of the hair stylizing apparatus of the present invention;
FIG. 2 is a first side elevation view of the hair stylizing apparatus;
FIG. 3 is a second side elevation view of the hair stylizing apparatus;
FIG. 4 is a front axial view of the hair stylizing apparatus;
FIG. 5 is a rear axial view of the hair stylizing apparatus;
FIG. 6 is a top plan view of the hair stylizing apparatus; and,
FIG. 7 is a bottom plan view of the hair stylizing apparatus.
Any portions of the figures shown in broken lines are for illustrative purposes only and form no part of the claimed design.

1 Claim, 6 Drawing Sheets

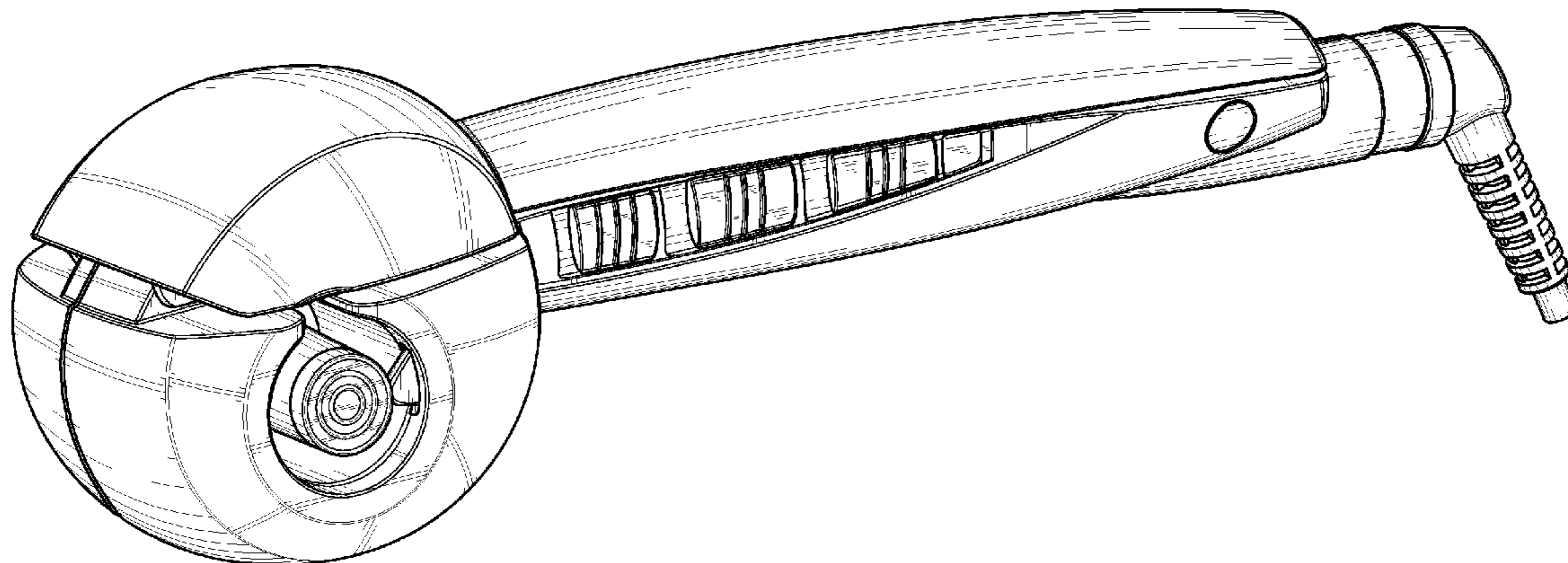




FIG. 1

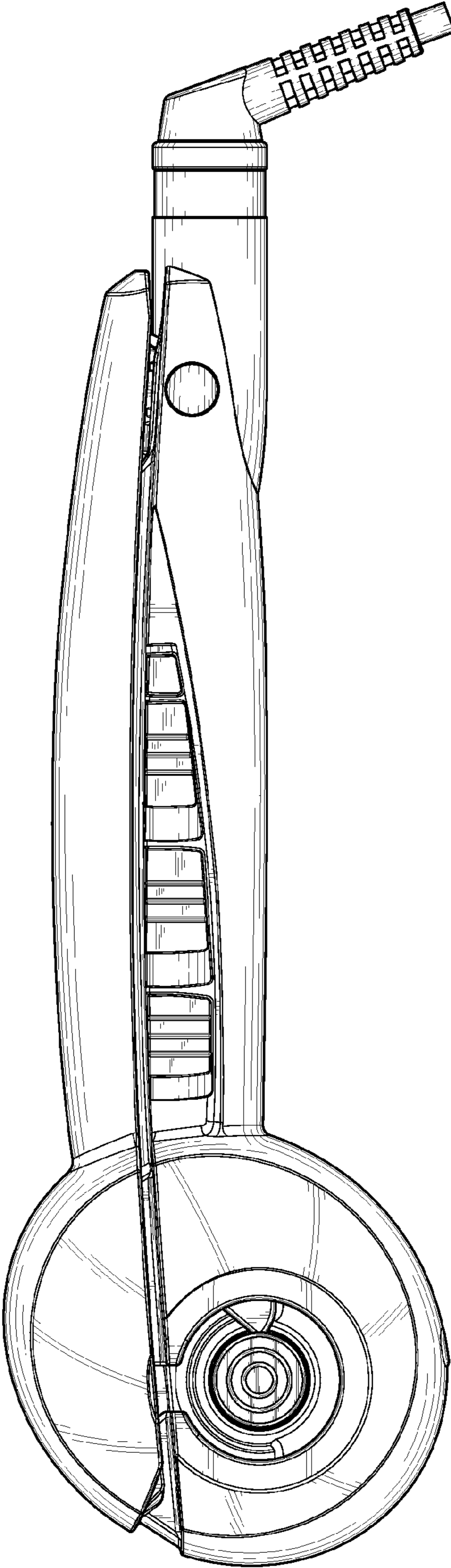


FIG. 2

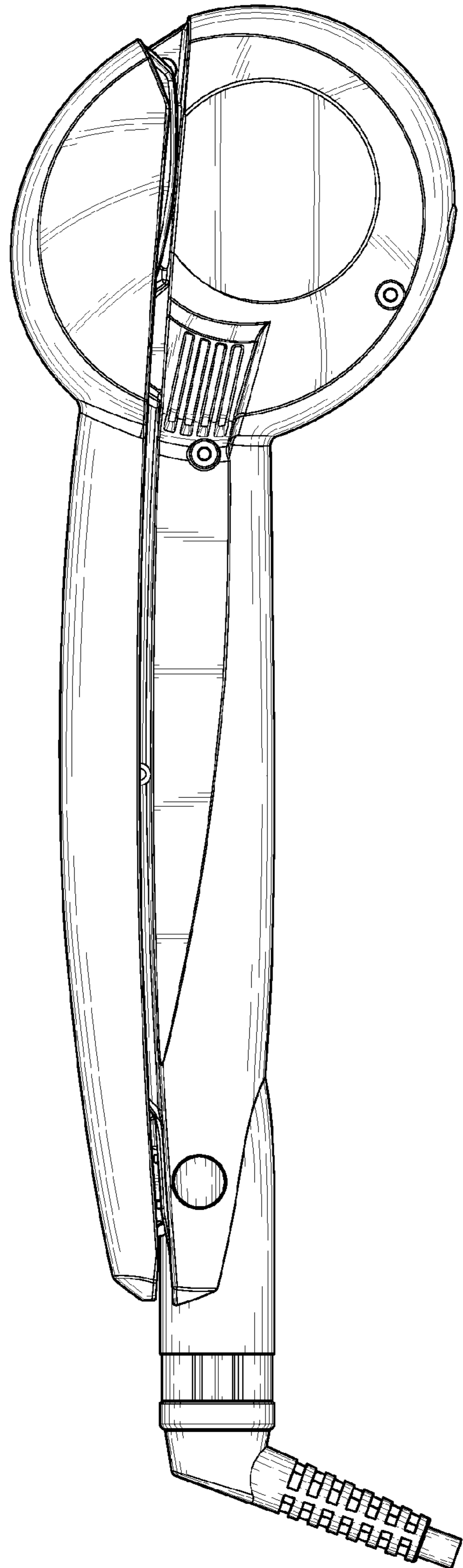


FIG. 3

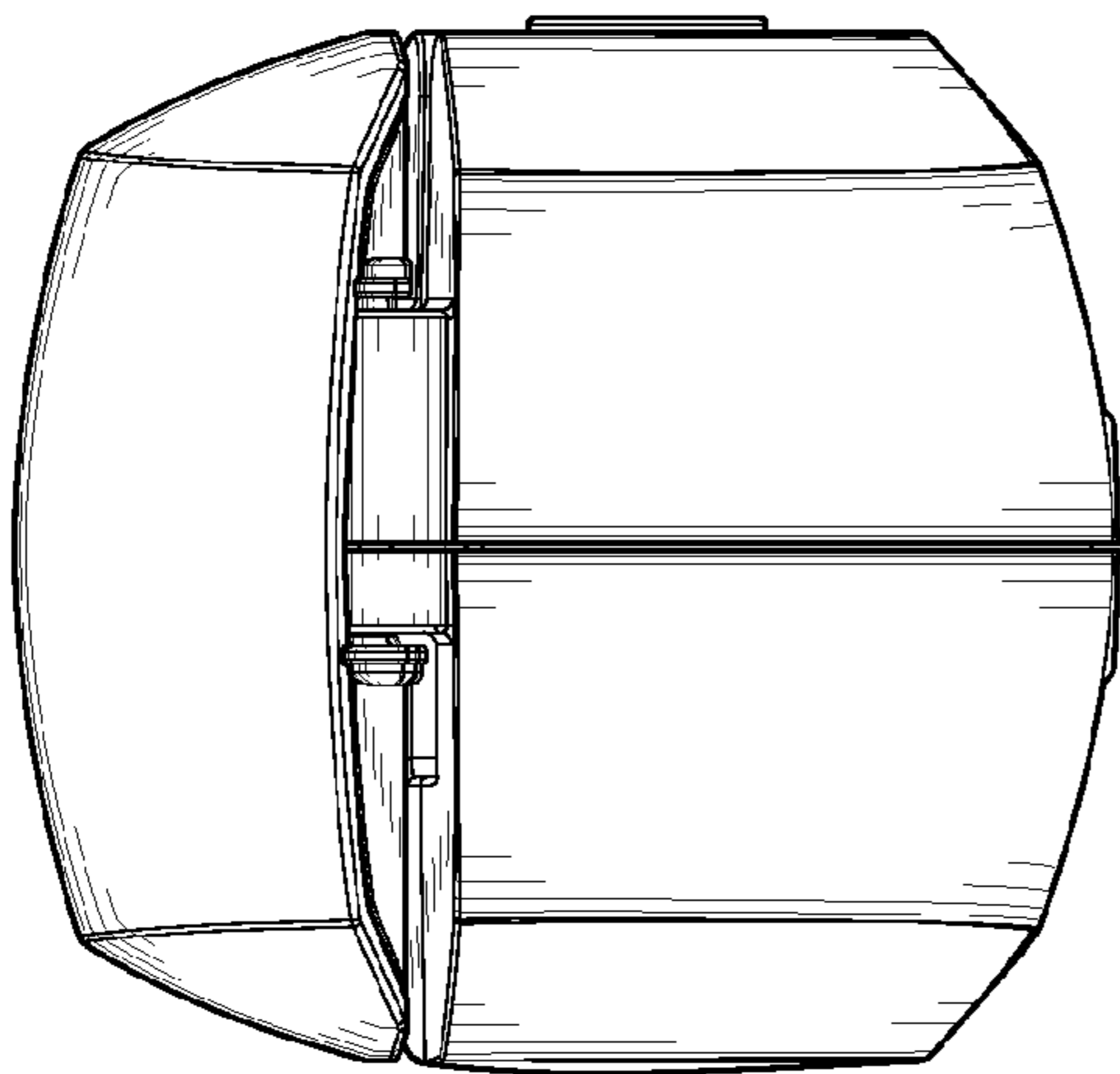


FIG. 4

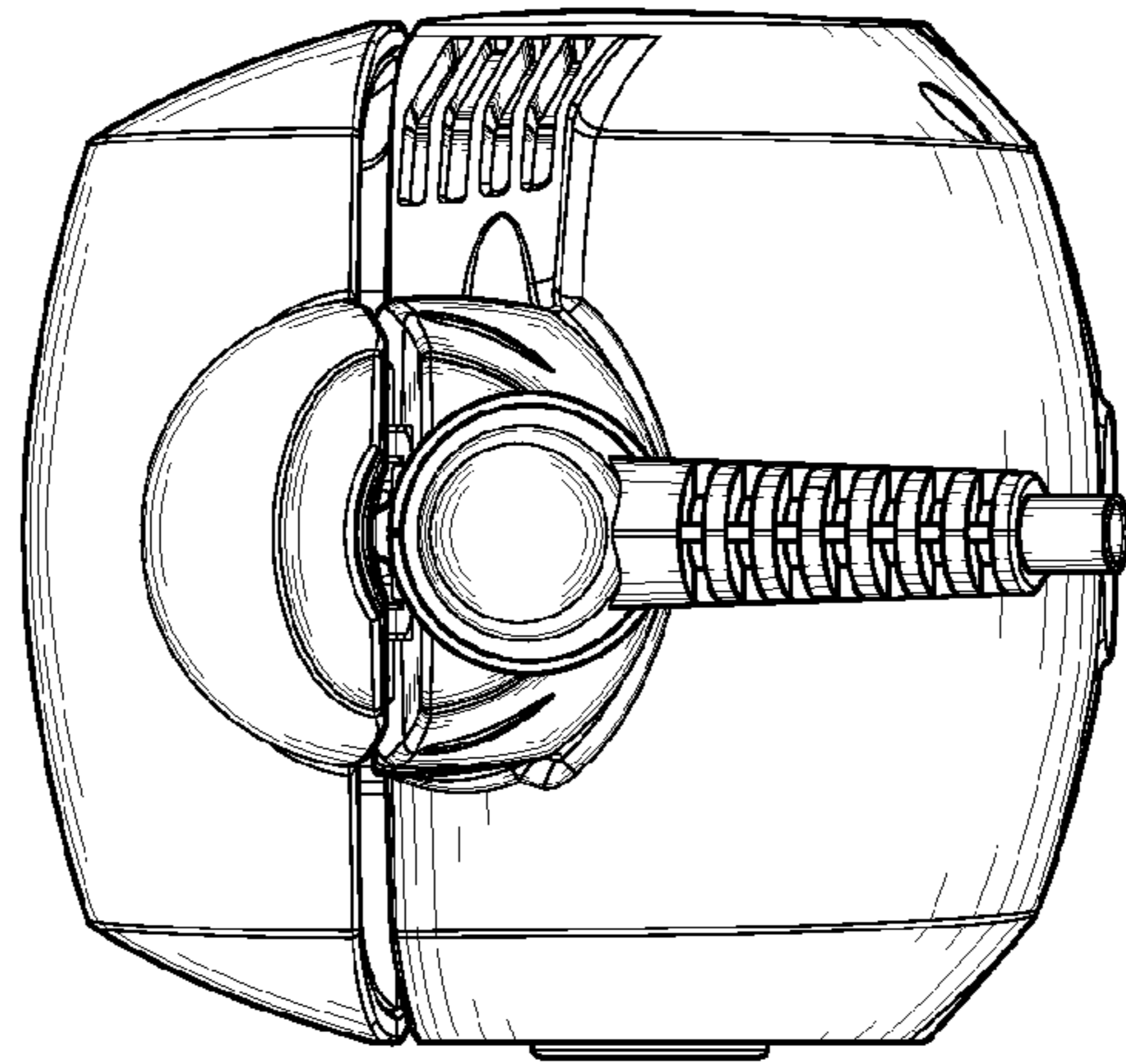


FIG. 5

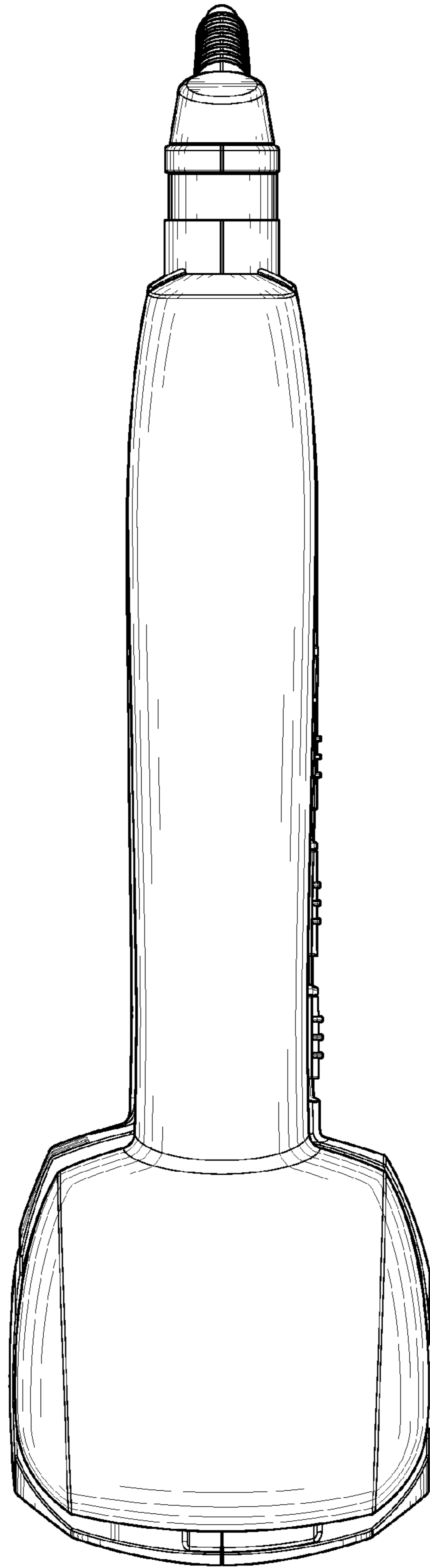


FIG. 6

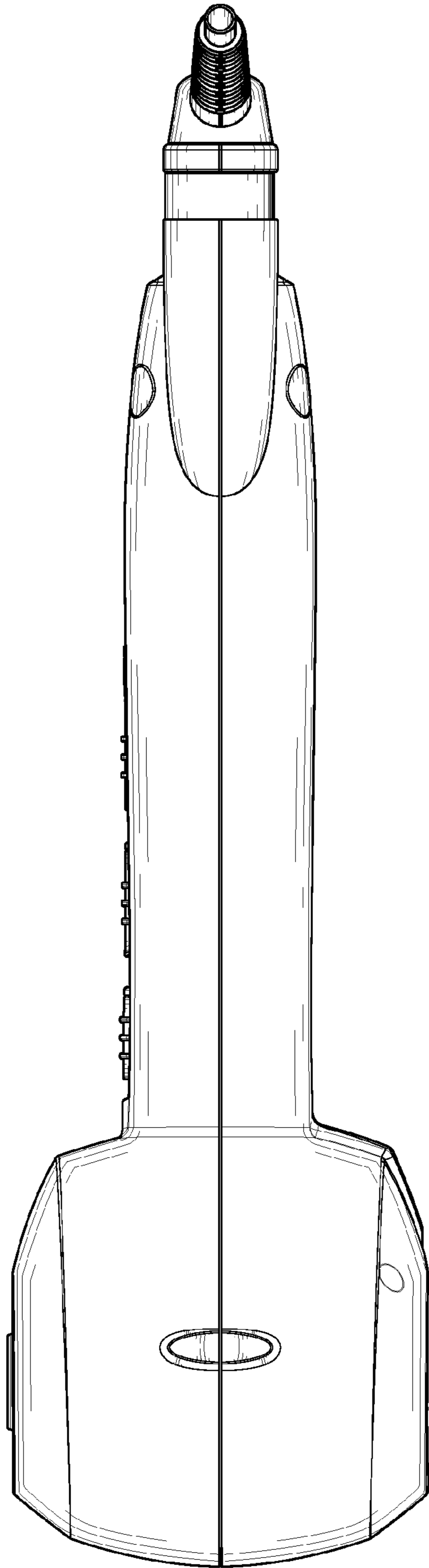


FIG. 7