



US00D696452S

(12) **United States Design Patent**  
**Gordin et al.**

(10) **Patent No.:** **US D696,452 S**  
(45) **Date of Patent:** **\*\* Dec. 24, 2013**

(54) **LIGHTING FIXTURE HOUSING**

(56) **References Cited**

(71) Applicant: **Musco Corporation**, Oskaloosa, IA  
(US)  
(72) Inventors: **Myron Gordin**, Oskaloosa, IA (US);  
**Timothy J. Boyle**, Oskaloosa, IA (US);  
**Matthew D. Drost**, Oskaloosa, IA (US);  
**Chris P. Lickiss**, Newton, IA (US)  
(73) Assignee: **Musco Corporation**, Oskaloosa, IA  
(US)

U.S. PATENT DOCUMENTS

D67,927 S *	8/1925	Kent .....	D26/36
D207,178 S *	3/1967	Atkin et al. ....	D26/87
D257,065 S *	9/1980	Silvestris .....	D26/61
D399,584 S *	10/1998	Giese et al. ....	D26/63
D399,585 S *	10/1998	Giese et al. ....	D26/63
D435,925 S *	1/2001	Hiller et al. ....	D26/63
D438,320 S *	2/2001	Tang .....	D26/63
D463,048 S *	9/2002	Scott et al. ....	D26/28
D465,588 S *	11/2002	Nagano .....	D26/28
D507,668 S *	7/2005	Kwong .....	D26/24
D509,842 S *	9/2005	Ou .....	D16/203
D538,461 S *	3/2007	Broughton et al. ....	D26/87
D544,127 S *	6/2007	Posey et al. ....	D26/74
D558,376 S *	12/2007	Posey et al. ....	D26/72
D583,980 S *	12/2008	Guercio .....	D26/88
D589,191 S *	3/2009	Sabernig .....	D26/63
D589,636 S *	3/2009	Pinette .....	D26/63
D616,587 S *	5/2010	Sabernig .....	D26/63
D625,871 S *	10/2010	Huang .....	D26/63
D646,428 S	10/2011	Gordin et al.	

(\*\*) Term: **14 Years**

(21) Appl. No.: **29/454,884**

(22) Filed: **May 15, 2013**

(51) **LOC (9) Cl.** ..... **26-99**

(52) **U.S. Cl.**  
USPC ..... **D26/118**

(58) **Field of Classification Search**  
USPC ..... D26/152, 113, 118, 119, 154, 61, 62,  
D26/65, 75, 16, 1, 2, 3, 120, 138, 128, 155,  
D26/76, 121, 124, 125, 123, 141, 142, 66,  
D26/68, 86, 71, 72, 77, 78, 151, 145, 74, 85,  
D26/89, 82, 84, 92, 87, 136, 63, 59, 58, 28,  
D26/88, 11, 9, 22, 81, 127, 129, 130, 131,  
D26/133, 134, 135, 55; D13/179, 180;  
362/219, 223, 225, 347, 346, 373, 326,  
362/283, 249.02, 362, 374, 375, 408, 327,  
362/328, 404, 297, 147, 149, 249.03,  
362/249.11; D23/377, 411, 413; D11/89,  
D11/90

See application file for complete search history.

(Continued)

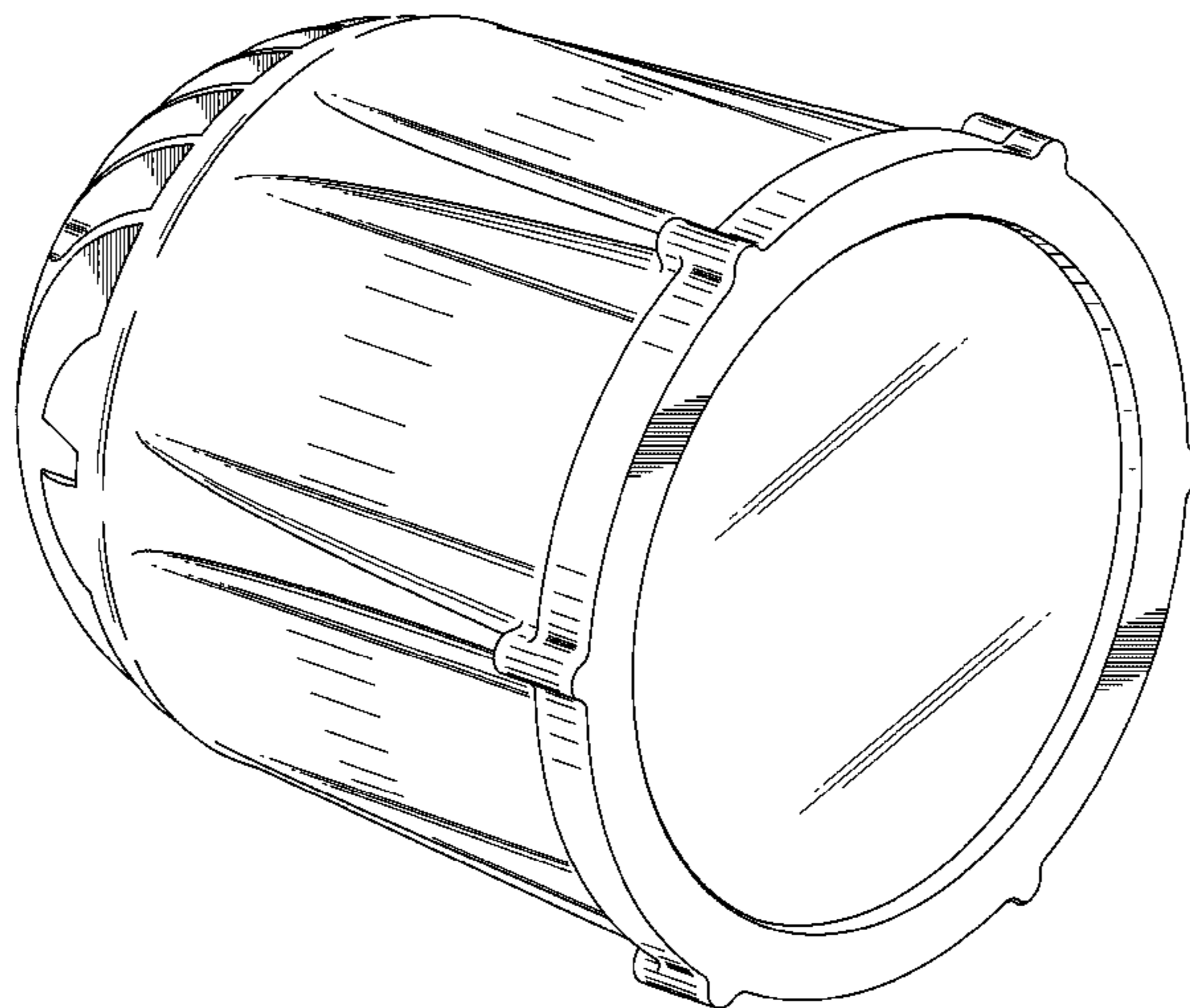
*Primary Examiner* — Kevin Rudzinski  
(74) *Attorney, Agent, or Firm* — McKee, Voorhees & Sease,  
P.L.C.

(57) **CLAIM**  
The ornamental design for a lighting fixture housing, as  
shown.

**DESCRIPTION**

FIG. 1 is a perspective view of the claimed design from a front  
and left direction;  
FIG. 2 is a top plan view of FIG. 1;  
FIG. 3 is a bottom plan view of FIG. 1;  
FIG. 4 is a front elevation view of FIG. 1;  
FIG. 5 is a back elevation view of FIG. 1;  
FIG. 6 is a left side elevation view of FIG. 1;  
FIG. 7 is a right side elevation view of FIG. 1; and,  
FIG. 8 is a perspective view of the claimed design from a rear  
and left direction.

**1 Claim, 8 Drawing Sheets**





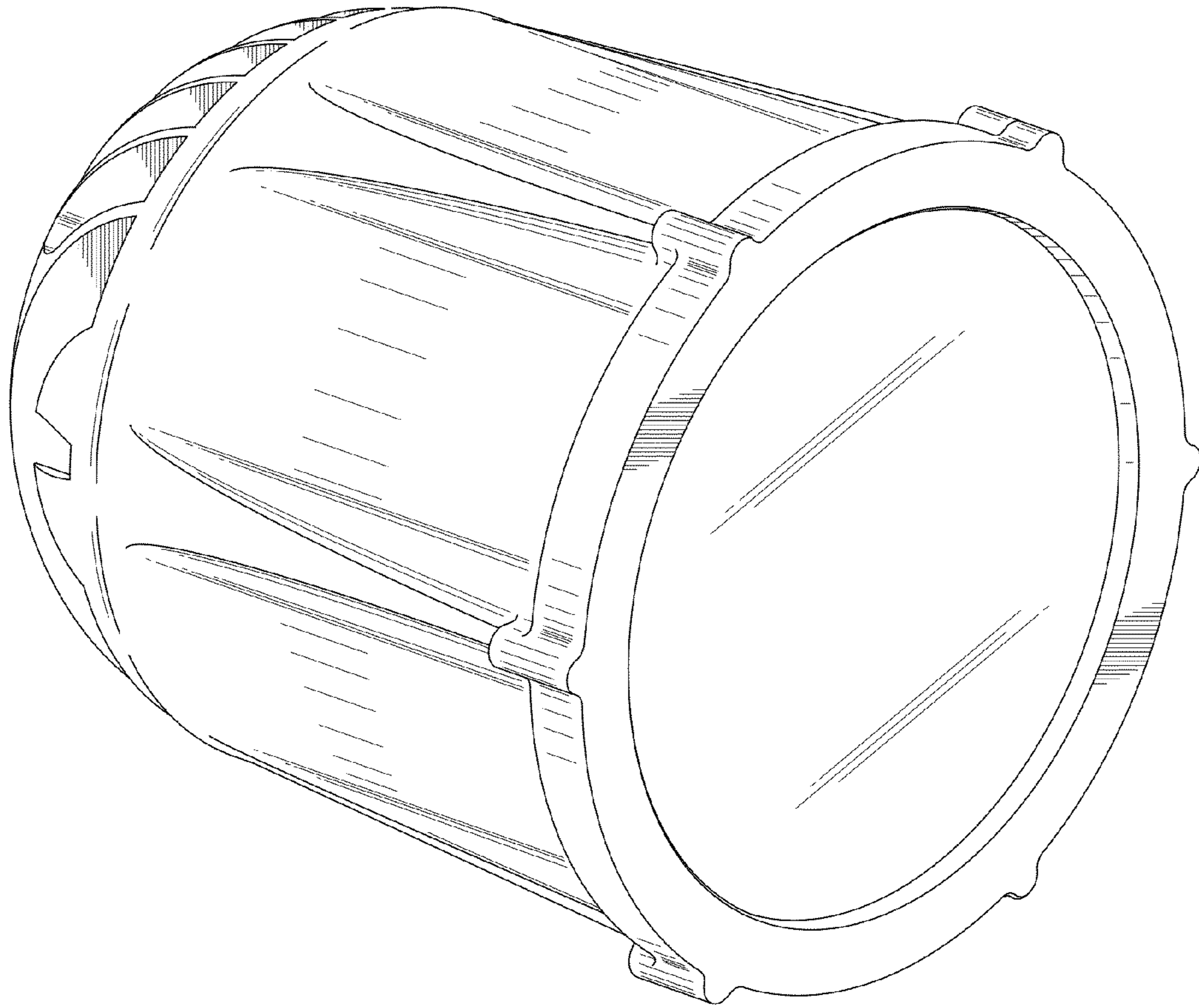


Fig. 1

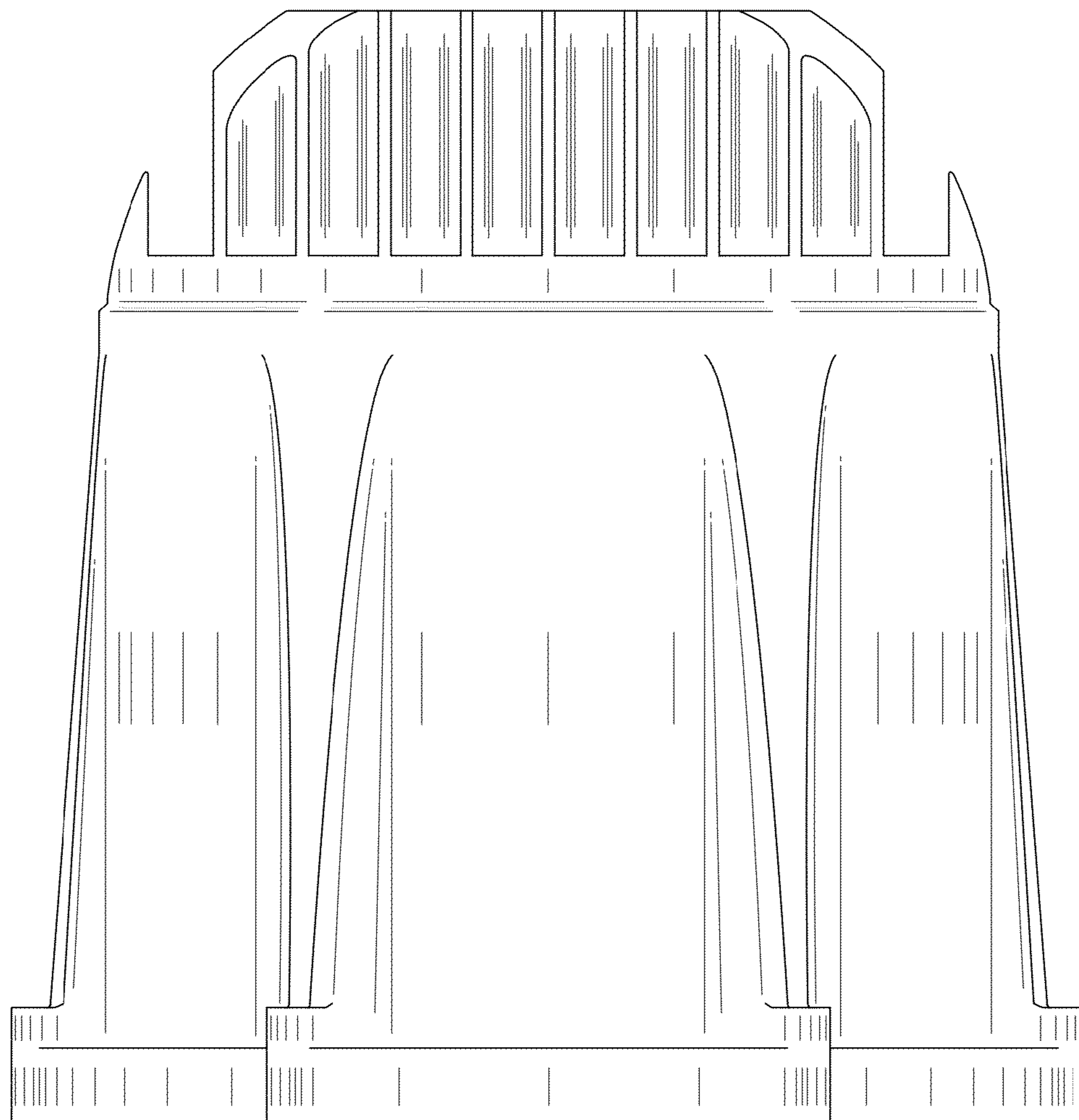


Fig. 2



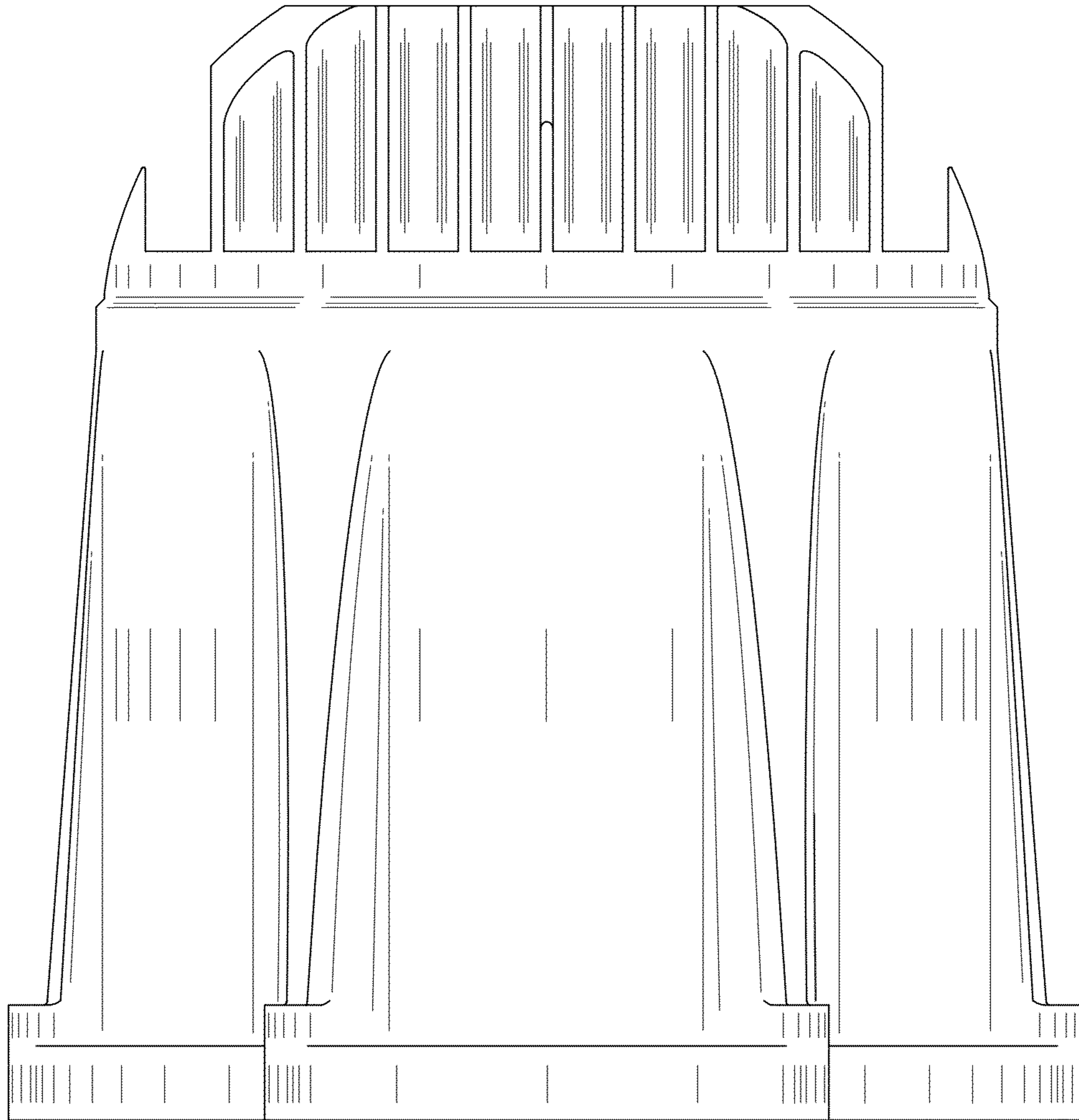


Fig. 3

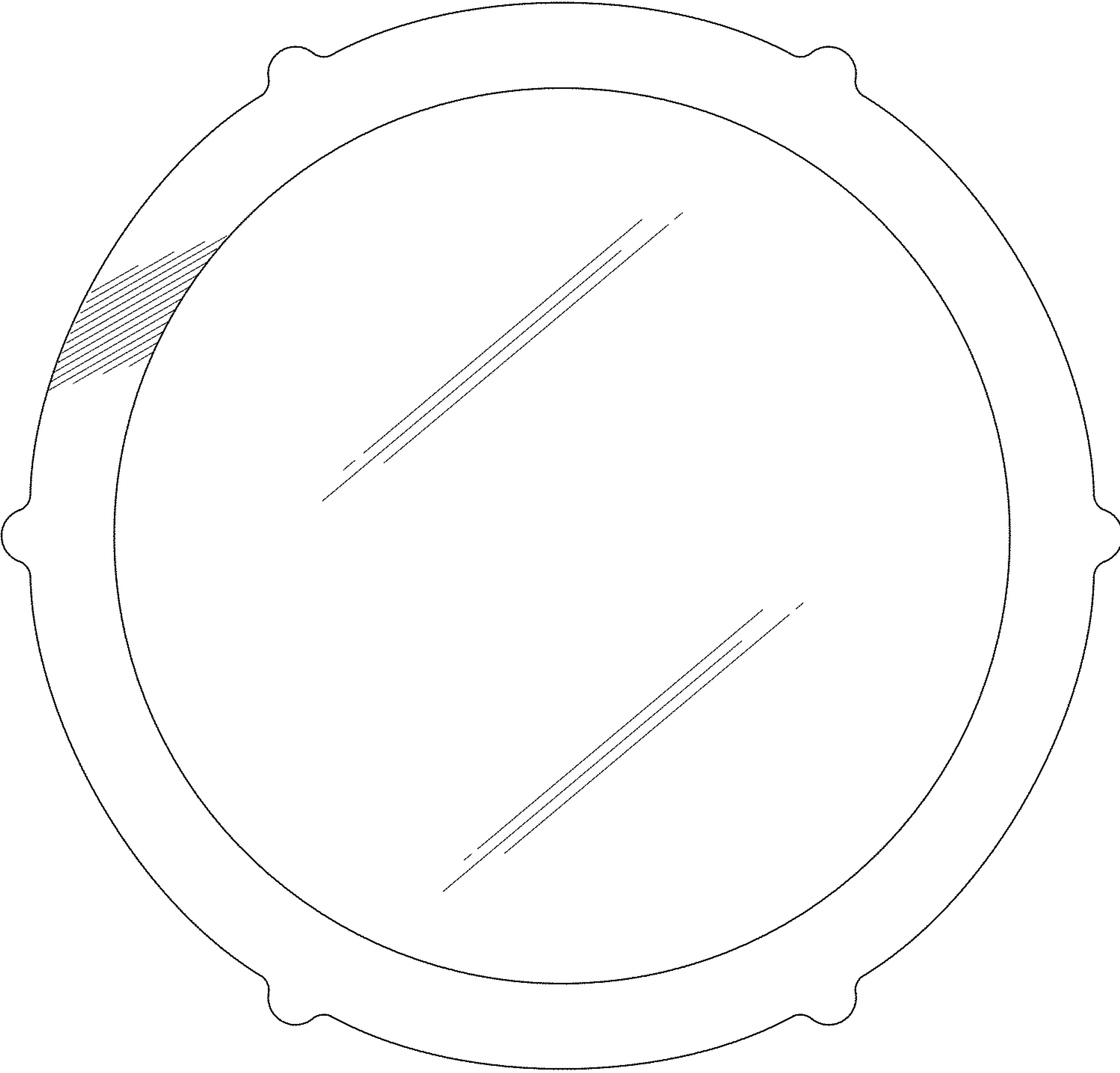


Fig. 4

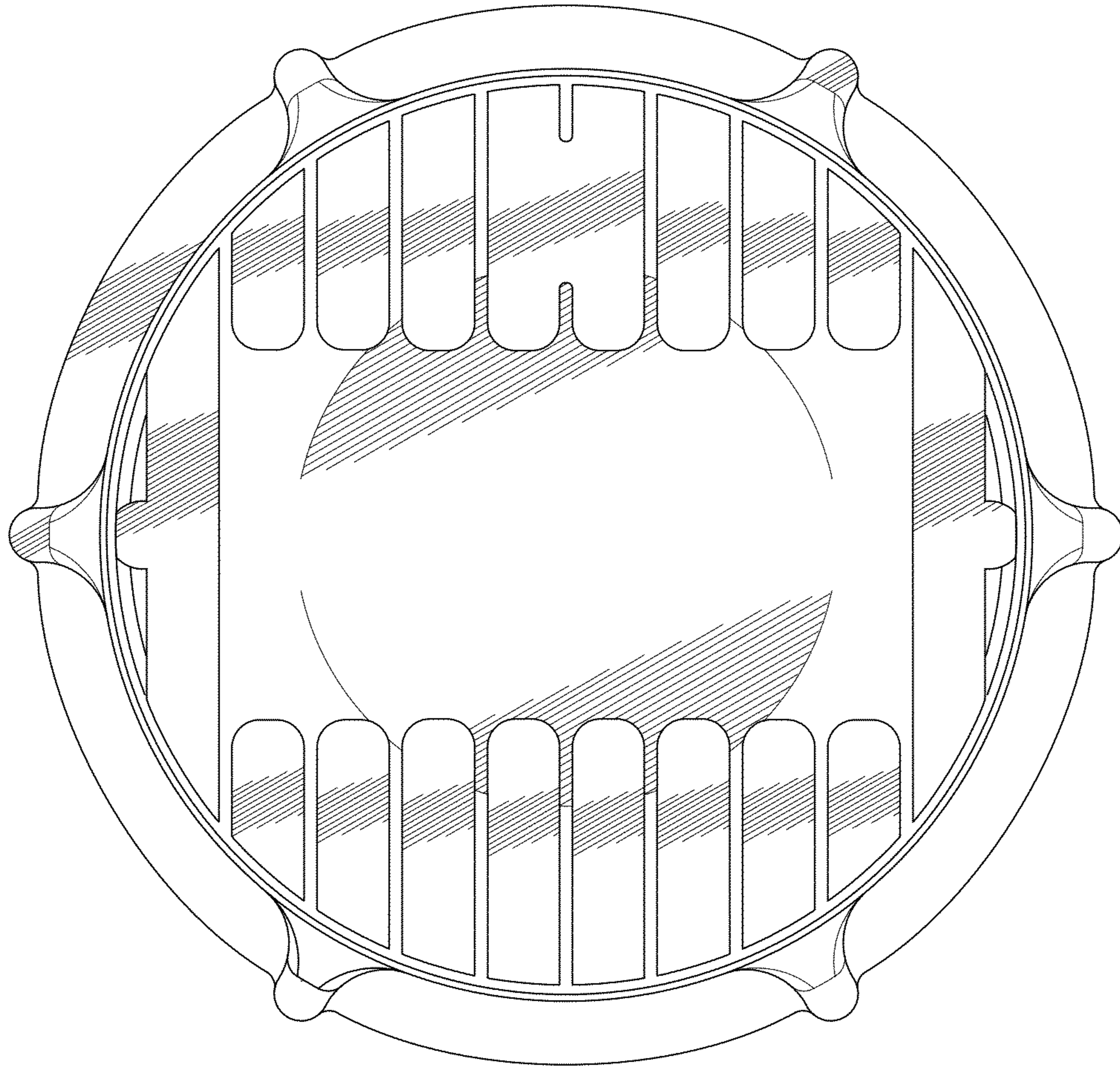


Fig. 5

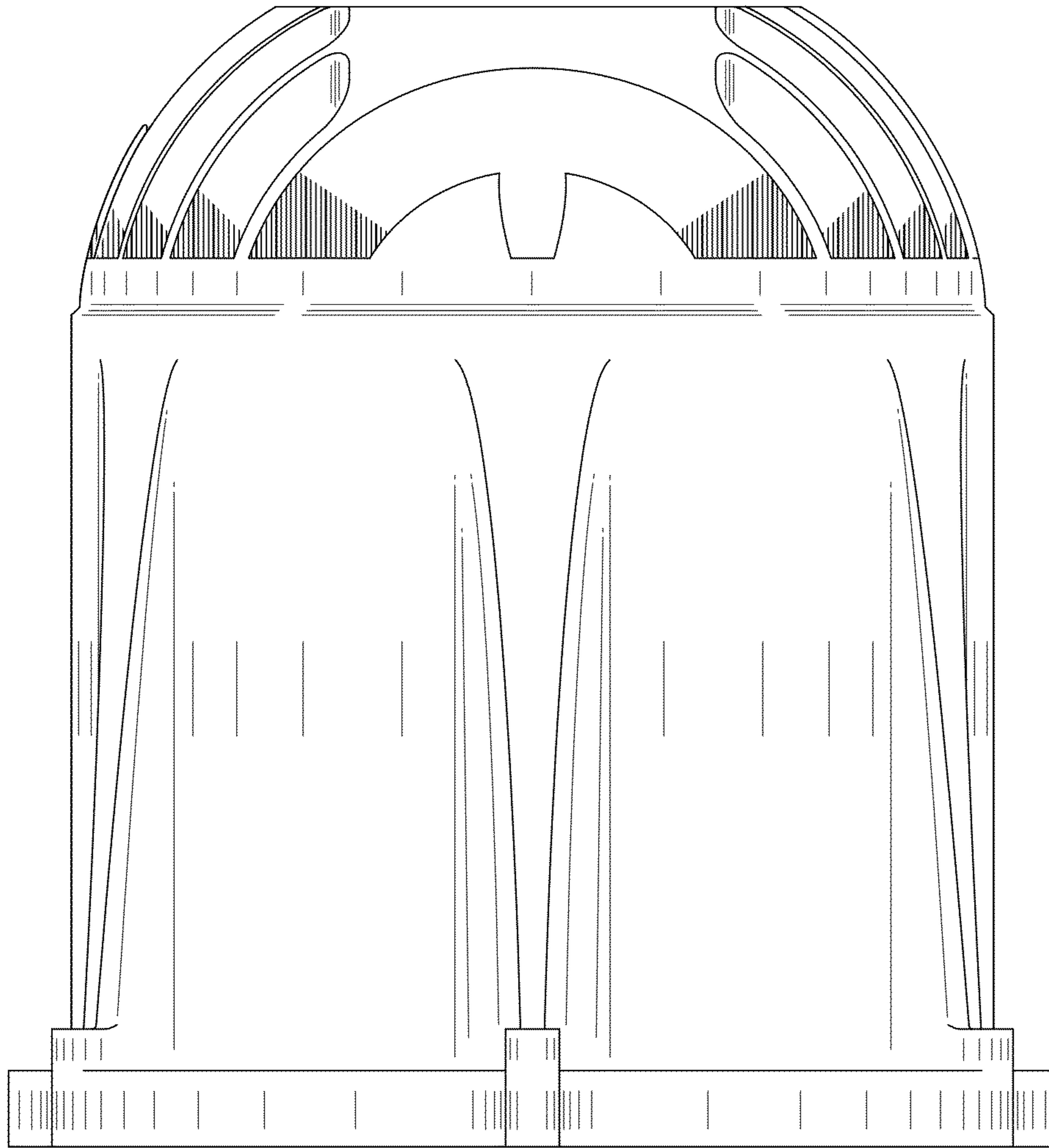


Fig. 6



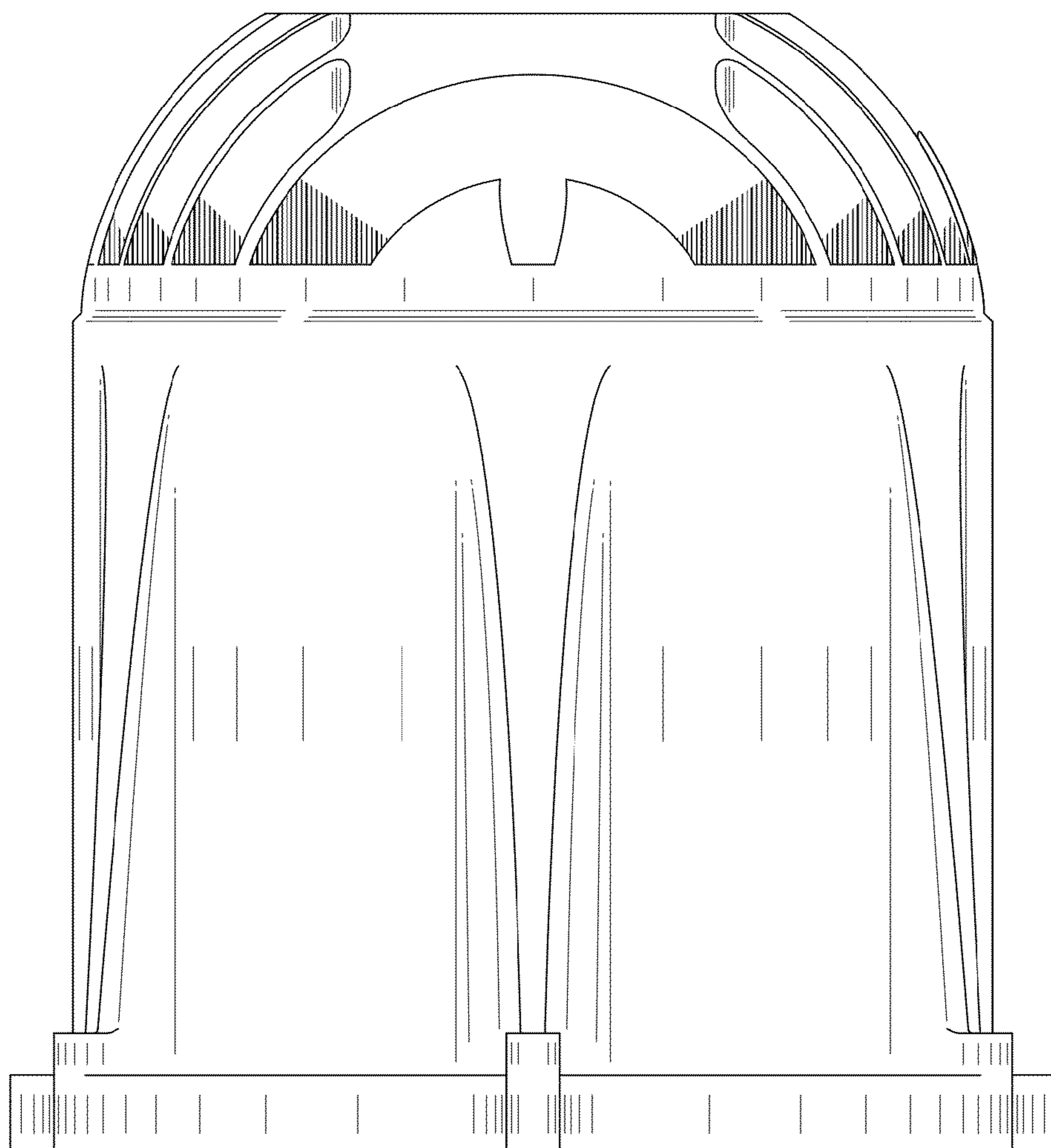


Fig. 7

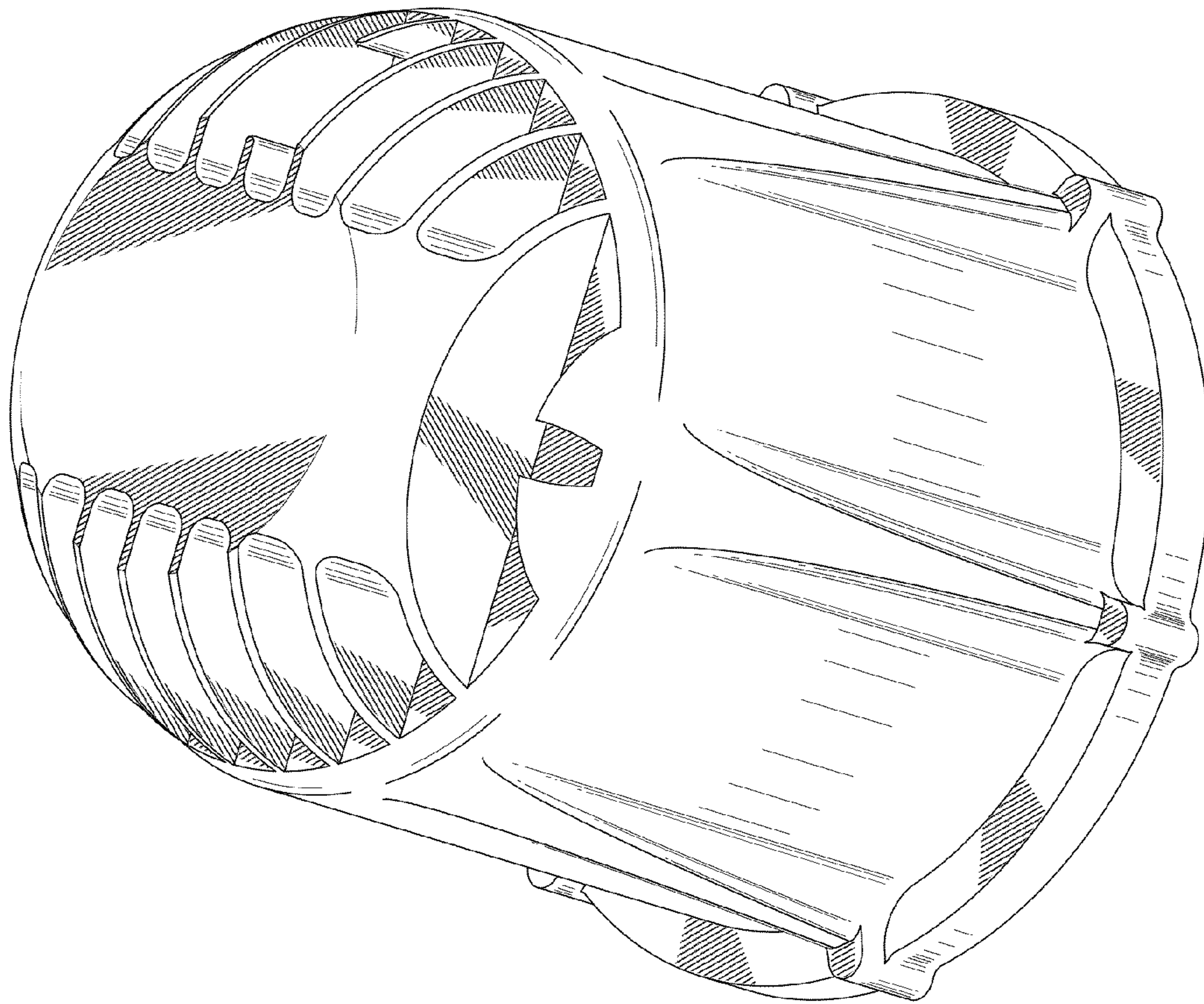


Fig. 8