



US00D696451S

(12) **United States Design Patent**  
**Chen**

(10) **Patent No.:** **US D696,451 S**

(45) **Date of Patent:** **\*\* Dec. 24, 2013**

(54) **LIGHT FIXTURE INCLUDING NON-OPAQUE LIGHT COVER AND LIGHT FIXTURE BODY**

(71) Applicant: **Honesty Lighting, Inc.**, New Taipei (TW)

(72) Inventor: **Paul Chen**, New Taipei (TW)

(73) Assignee: **Honesty Lighting, Inc.**, New Taipei (TW)

(\*\*) Term: **14 Years**

(21) Appl. No.: **29/433,614**

(22) Filed: **Oct. 2, 2012**

**Related U.S. Application Data**

(62) Division of application No. 29/408,328, filed on Dec. 9, 2011, now Pat. No. Des. 671,259.

(51) **LOC (9) Cl.** ..... **26-03**

(52) **U.S. Cl.**  
USPC ..... **D26/89**

(58) **Field of Classification Search**  
USPC ..... D26/59, 71, 74, 76, 85, 87, 89, 90, 128, D26/135; D23/377, 379, 411; 362/147, 148, 362/365, 453-456, 479, 483, 488, 490  
See application file for complete search history.

(56) **References Cited**

**U.S. PATENT DOCUMENTS**

1,505,559 A	8/1924	Grant
1,508,184 A	9/1924	Harrison
D169,972 S	7/1953	Glatthar et al.
D170,084 S	7/1953	Glatthar et al.
D232,376 S	8/1974	Yahraus et al.
4,071,749 A	1/1978	Balogh
D263,761 S	4/1982	Glassman
D301,628 S	6/1989	Fuller

D309,956 S	8/1990	Sikora et al.
5,174,648 A	12/1992	Clary et al.
D343,251 S	1/1994	Fouke et al.
D352,797 S	11/1994	Mehaffey
D375,379 S	11/1996	DiCola et al.
D376,220 S	12/1996	Pearce et al.
5,662,407 A	9/1997	Fischer et al.
D405,207 S	2/1999	Mora
D427,713 S	7/2000	Dolan
D444,903 S	7/2001	Wang
D456,931 S	5/2002	Shimada
D499,505 S	12/2004	Benensohn
D505,721 S	5/2005	Pickett

(Continued)

**OTHER PUBLICATIONS**

Plizzy 4-light flushmount wall sconce shown on p. 144 of the Eurofase Illuminations Catalog #MKT-CAT-EF09. (2 pages, including rear cover of catalog.)

*Primary Examiner* — Clare E Heflin

(74) *Attorney, Agent, or Firm* — Senniger Powers LLP

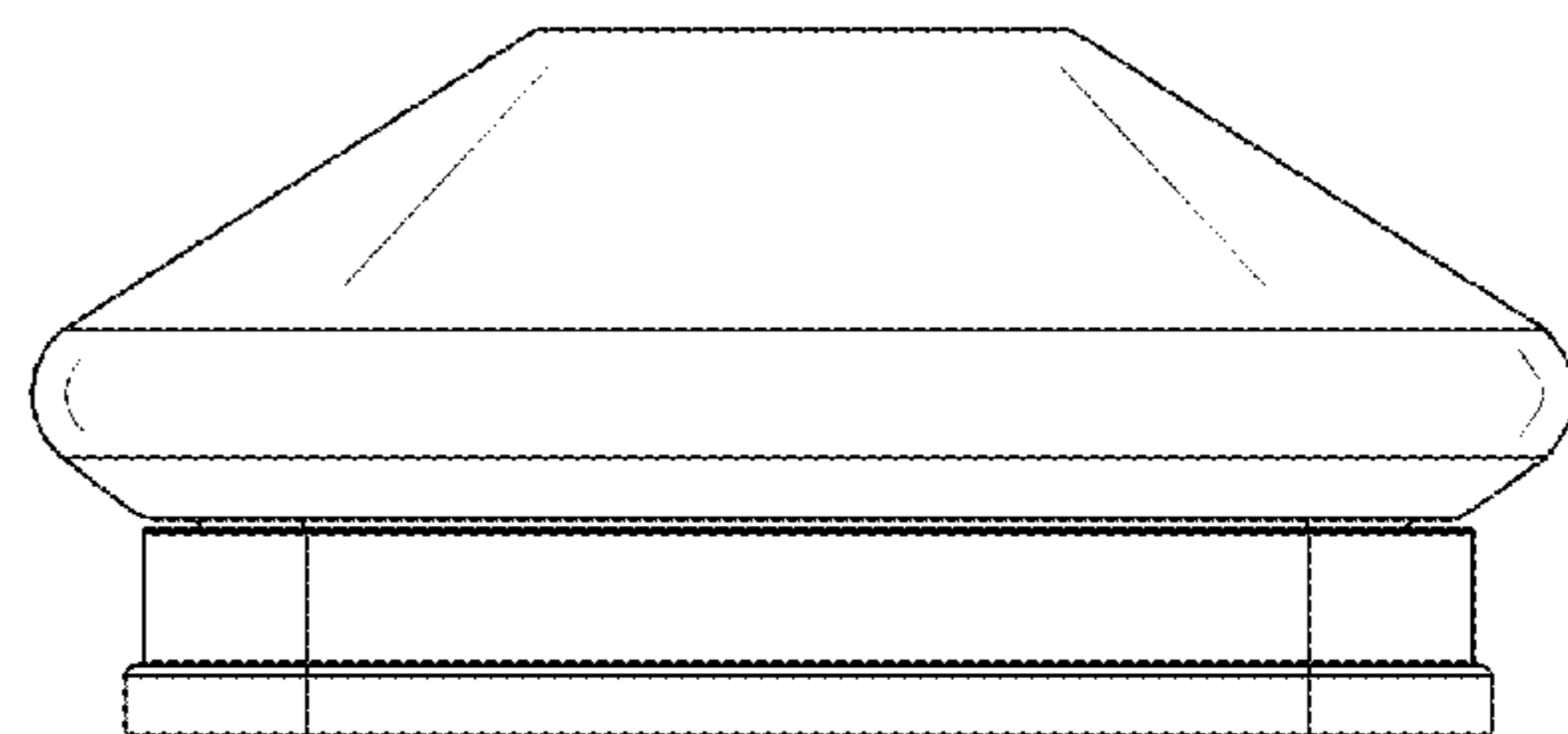
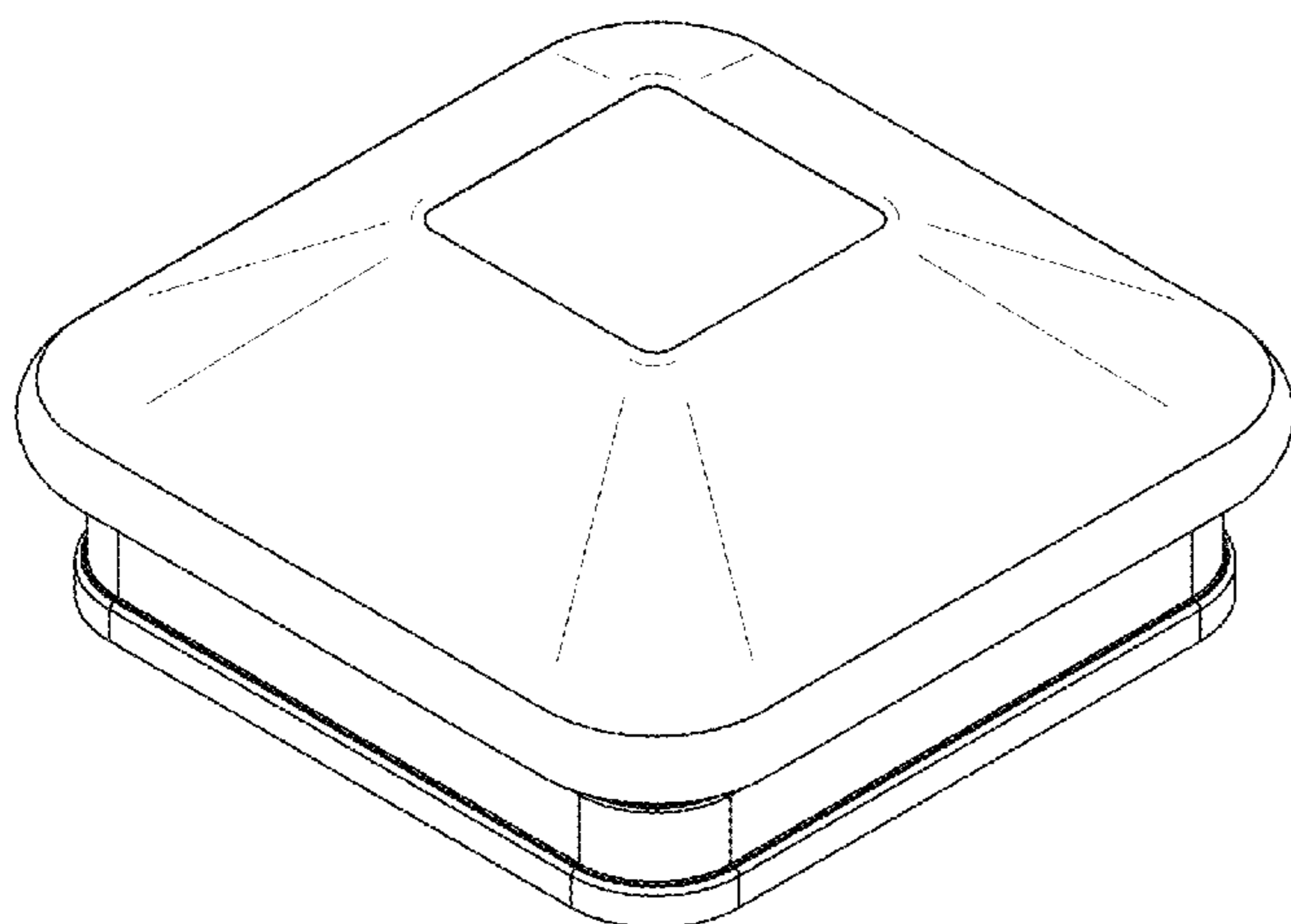
(57) **CLAIM**

The ornamental design for a light fixture including non-opaque light cover and light fixture body, as shown and described.

**DESCRIPTION**

FIG. 1 is a perspective of light fixture including a non-opaque light cover and a light fixture body;  
FIG. 2 is a front elevational view of the light fixture, the back, left, and right elevational views being identical to the front elevational view;  
FIG. 3 is a top plan view of the light fixture; and,  
FIG. 4 is a bottom plan view of the light fixture, openings in a bottom of the light fixture body being shown in broken lines. The broken lines in the drawings indicate environmental structures which form no part of the claimed design.

**1 Claim, 4 Drawing Sheets**



# US D696,451 S

Page 2

---

(56)

## References Cited

### U.S. PATENT DOCUMENTS

D509,617 S 9/2005 Benghozi  
D533,292 S 12/2006 Hidalgo  
D608,044 S 1/2010 Pickett

D641,517 S \* 7/2011 Sprengers ..... D26/89  
D656,655 S \* 3/2012 Wauters ..... D26/89  
D668,375 S \* 10/2012 Daniels ..... D26/89  
D669,624 S \* 10/2012 Daniels ..... D26/89  
D671,259 S \* 11/2012 Chen ..... D26/135

\* cited by examiner

FIG. 1

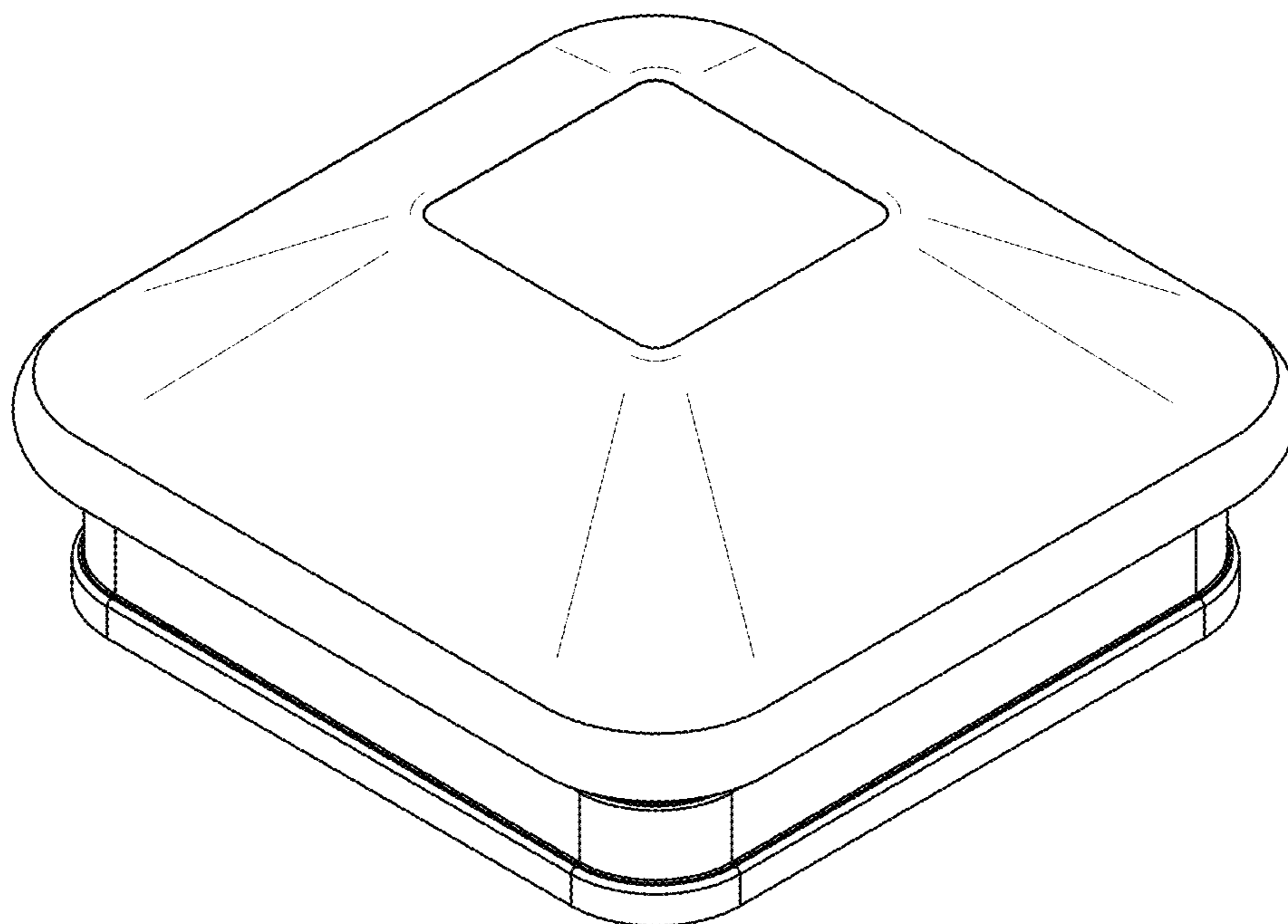


FIG. 2

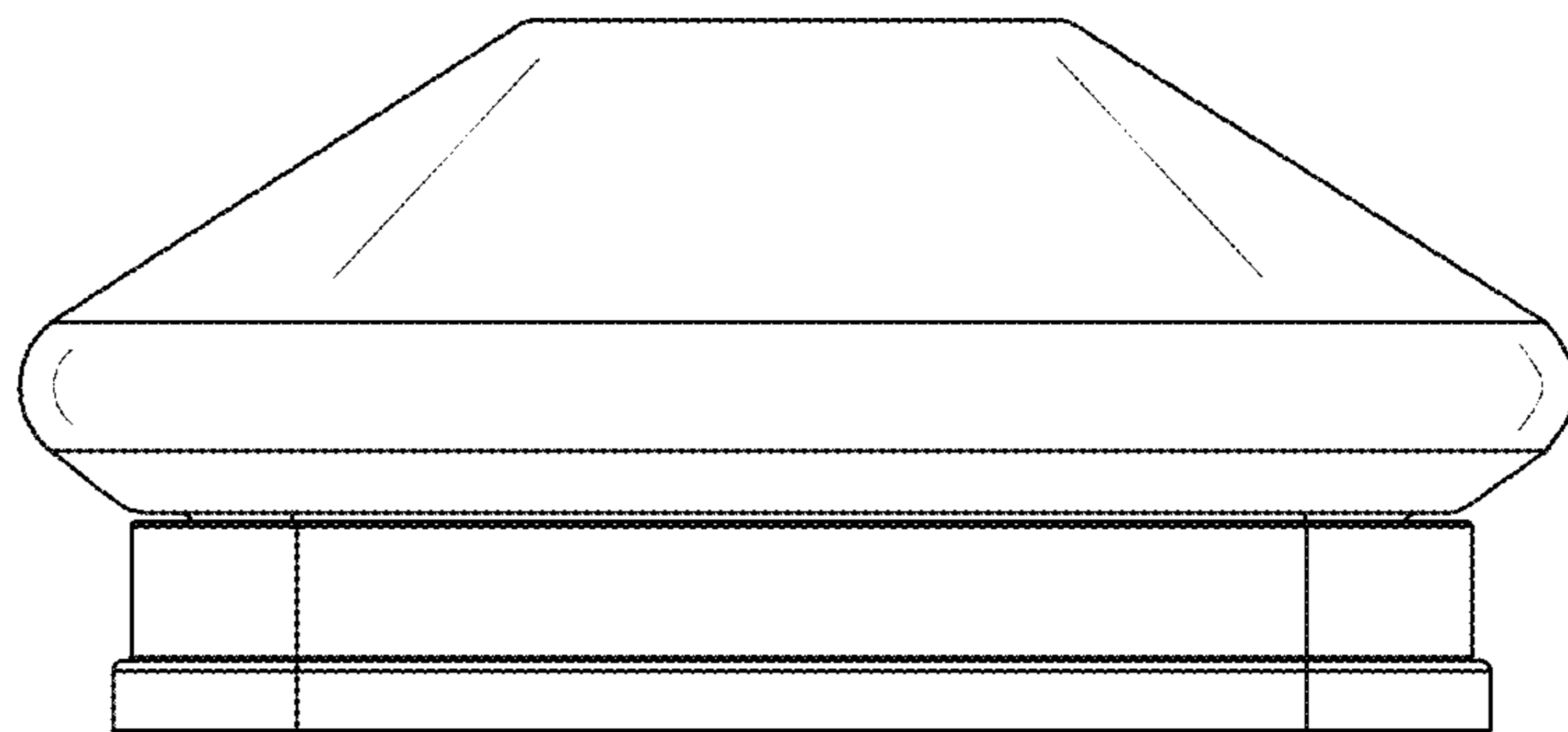


FIG. 3

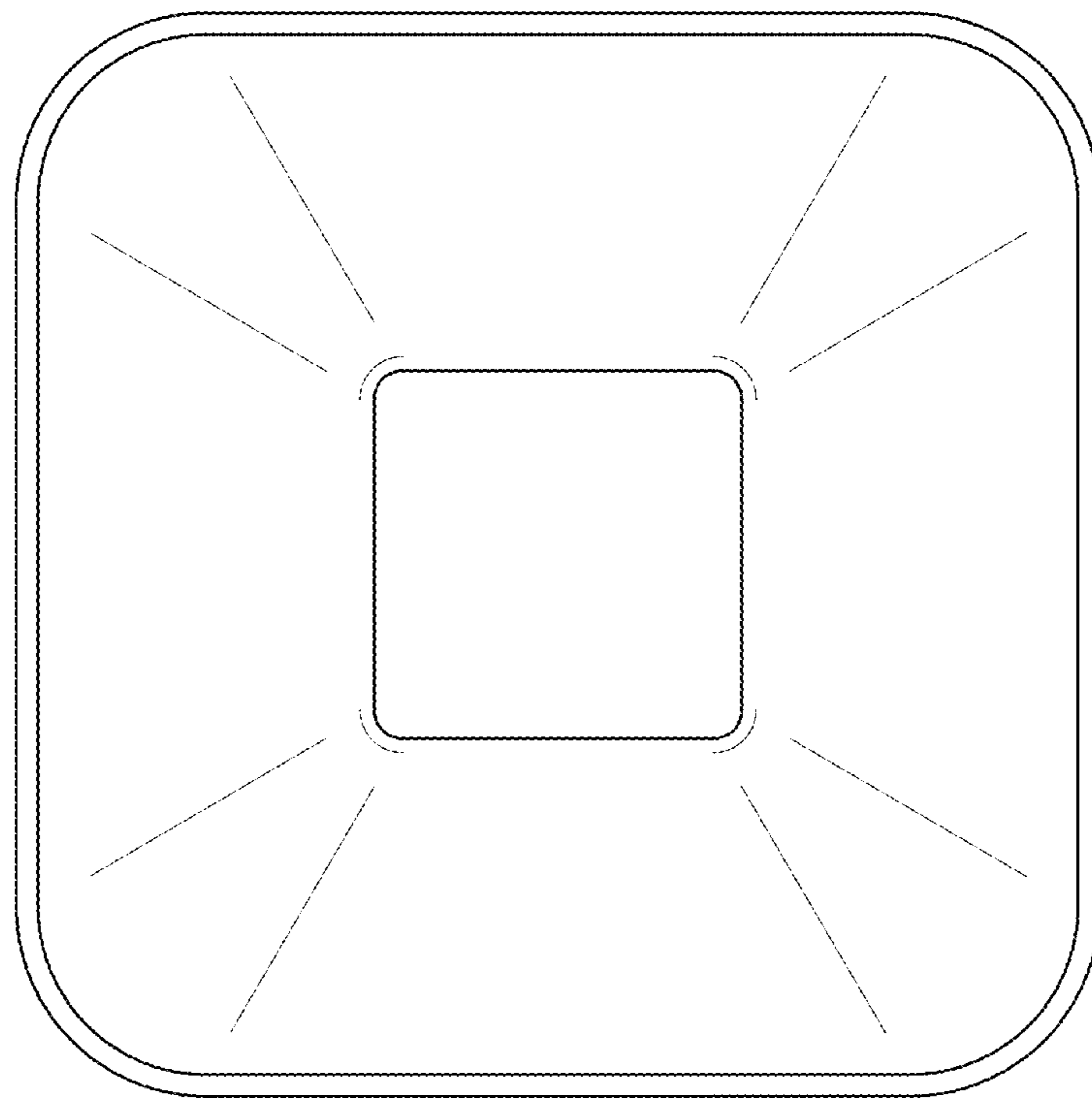


FIG. 4

