



US00D696449S

(12) **United States Design Patent**
Boyer et al.

(10) **Patent No.:** **US D696,449 S**
(45) **Date of Patent:** **** Dec. 24, 2013**

(54) **LIGHTING**

(71) Applicants: **John D. Boyer**, Lebanon, OH (US);
Daniel Hutchens, Cold Spring, KY
(US); **Travis Montgomery Wright**,
Cincinnati, OH (US)

5,709,460 A 1/1998 Lester
6,561,678 B2 5/2003 Loughrey
6,789,914 B1 9/2004 Brown et al.
7,591,578 B2 9/2009 Chang
D608,490 S * 1/2010 Chung et al. D26/118

(Continued)

(72) Inventors: **John D. Boyer**, Lebanon, OH (US);
Daniel Hutchens, Cold Spring, KY
(US); **Travis Montgomery Wright**,
Cincinnati, OH (US)

FOREIGN PATENT DOCUMENTS

KR 100934683 12/2009

(73) Assignee: **LSI Industries, Inc.**, Cincinnati, OH
(US)

OTHER PUBLICATIONS

Recessed Direct/Indirect—Side Distribution (2x2) Datasheet, LSI
Industries, Inc., 2 page (2012).

(Continued)

(**) Term: **14 Years**

Primary Examiner — Angela J Lee

(21) Appl. No.: **29/448,888**

(74) *Attorney, Agent, or Firm* — McDermott Will & Emery
LLP

(22) Filed: **Mar. 14, 2013**

(51) **LOC (9) Cl.** **26-05**

(57) **CLAIM**

The ornamental design for lighting, as shown and described.

(52) **U.S. Cl.**

USPC **D26/74**

DESCRIPTION

(58) **Field of Classification Search**

USPC D26/74, 113, 118, 119, 120, 122, 138,
D26/141, 24, 58, 59, 67, 72, 75, 76, 77, 78,
D26/79, 80, 81, 82, 83, 84, 85, 86, 88, 89,
D26/90, 91, 93, 105; 362/364, 365, 366,
362/145, 146, 147, 148, 150, 151, 152, 153,
362/153.1, 217.06, 217.07, 219, 294,
362/296.01, 311.07, 311.09

See application file for complete search history.

FIG. 1 is a perspective view of the design of the present
disclosure;

FIG. 2 is a bottom view of the design depicted in FIG. 1.

FIG. 3 is a top view of the design depicted in FIG. 1;

FIG. 4 is a front side view of the design depicted in FIG. 1;

FIG. 5 is a rear side view of the design depicted in FIG. 1;

FIG. 6 is a left side view of the design depicted in FIG. 1; and,

FIG. 7 is a right side view of the design depicted in FIG. 1.

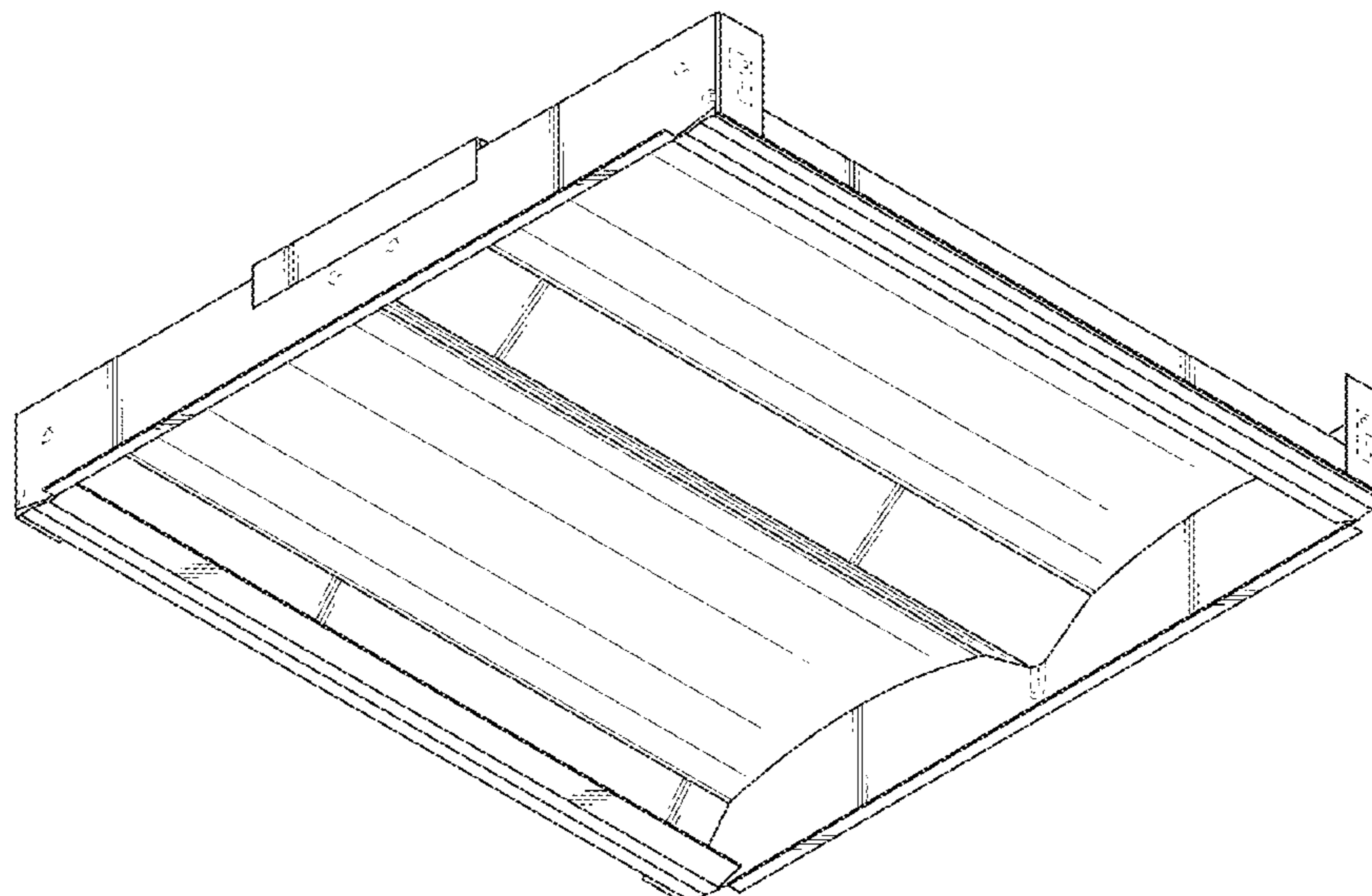
Those portions of the present invention which are presented
in phantom illustrate the environment of the design only and
form no part of the claimed design. Moreover, the shading
presented in the accompanying drawings is provided merely
to highlight the contour of the invention and is not intended to
be illustrative of texture or gloss.

(56) **References Cited**

U.S. PATENT DOCUMENTS

3,560,729 A 2/1971 Liberman
3,777,135 A 12/1973 Rees
4,517,631 A 5/1985 Mullins
D386,804 S * 11/1997 Engel D26/74

1 Claim, 5 Drawing Sheets



(56)

References Cited

U.S. PATENT DOCUMENTS

7,703,945 B2 4/2010 Leung et al.
 D617,487 S * 6/2010 Fowler et al. D26/76
 7,794,114 B2 9/2010 Medendorp, Jr.
 7,874,697 B2 1/2011 Biebel et al.
 D633,247 S * 2/2011 Kong et al. D26/88
 7,976,187 B2 7/2011 Villard
 D653,376 S * 1/2012 Kong et al. D26/76
 8,118,450 B2 2/2012 Villard
 D664,699 S * 7/2012 Nakahira et al. D26/74
 D665,119 S * 8/2012 Bryant D26/122
 D672,079 S * 12/2012 Kong et al. D26/74
 D673,711 S * 1/2013 Pickard et al. D26/74
 D677,820 S * 3/2013 Mayfield et al. D26/74
 D681,872 S * 5/2013 Kong et al. D26/141
 2007/0076416 A1 4/2007 Leonhardt et al.
 2010/0290208 A1 11/2010 Pickard
 2011/0096544 A1 4/2011 Nakamura
 2011/0122618 A1 5/2011 Gantenbrink
 2011/0176306 A1* 7/2011 Kim et al. 362/235
 2012/0002411 A1 1/2012 Ladewig
 2012/0019137 A1 1/2012 Safarikas et al.

2012/0051041 A1 3/2012 Edmond et al.
 2012/0140461 A1 6/2012 Pickard
 2012/0212956 A1 8/2012 Chen
 2013/0194820 A1* 8/2013 Pickard et al. 362/555

OTHER PUBLICATIONS

High Efficiency, Expansive Cavity Recessed ASC Datasheet, LSI Industries, Inc., 2 pages (2012).
 LED Peak Efficiency Recessed Direct/Indirect (PEC) Data Sheet, LSI Industries, Inc., 1 page (2012).
 Peak Efficiency (1x4, 2x4)—Recessed Direct/Indirect Datasheet, LSI Industries, Inc., 2 pages (2012).
 Peak Efficiency (2x2)—Recessed Direct/Indirect Datasheet, LSI Industries, Inc., 2 pages (2012).
 Surface Peak Efficiency (2x2)—Direct/Indirect Datasheet, LSI Industries, Inc., 1 page (2012).
 Surface Peak Efficiency (1x4, 2x4)—Direct/Indirect Datasheet, LSI Industries, Inc., 2 page (2012).
 Recessed Direct/Indirect—Side Distribution (1x4, 2x4) Datasheet, LSI Industries, Inc., 2 page (2012).

* cited by examiner

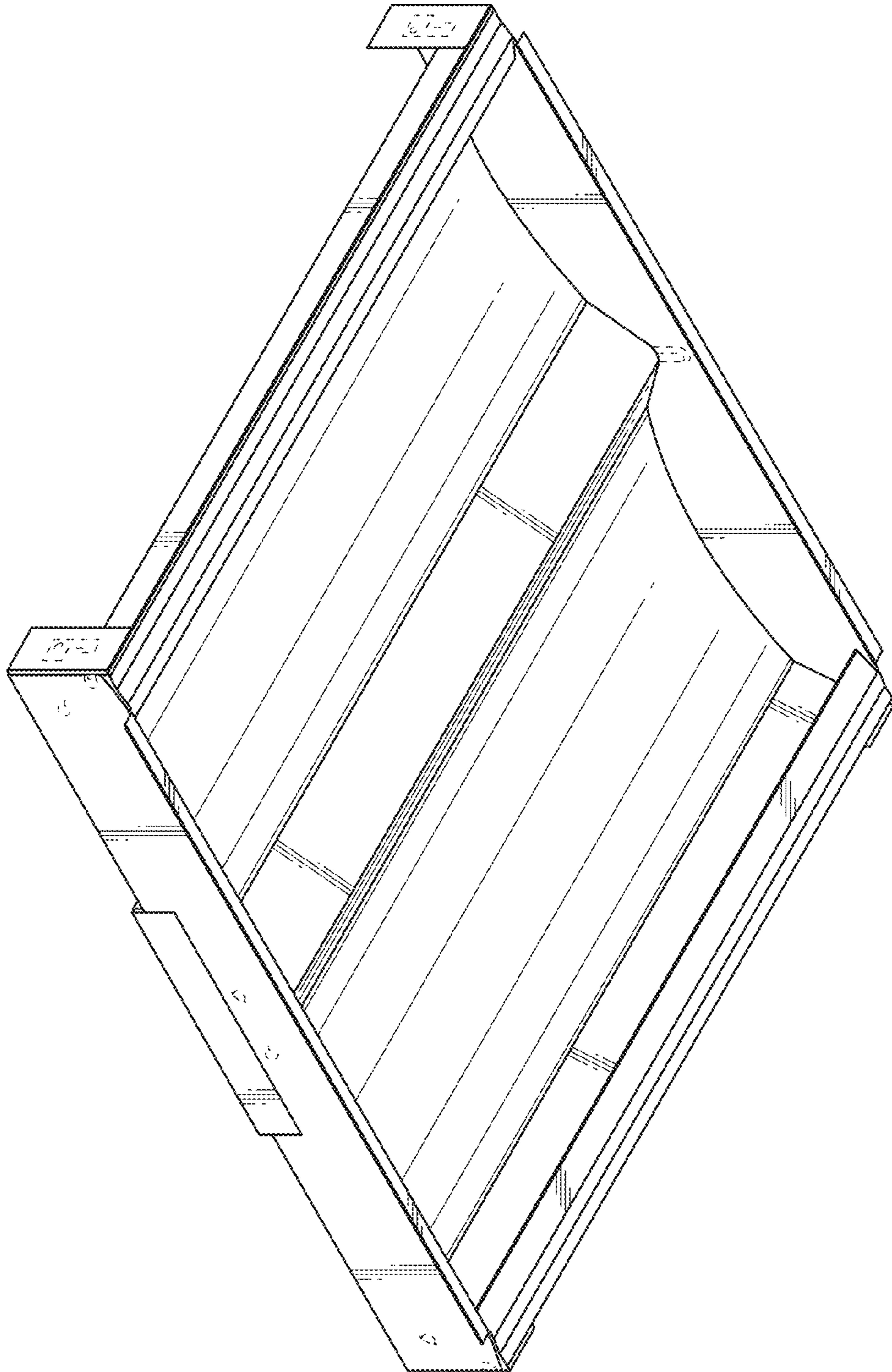


FIG. 1

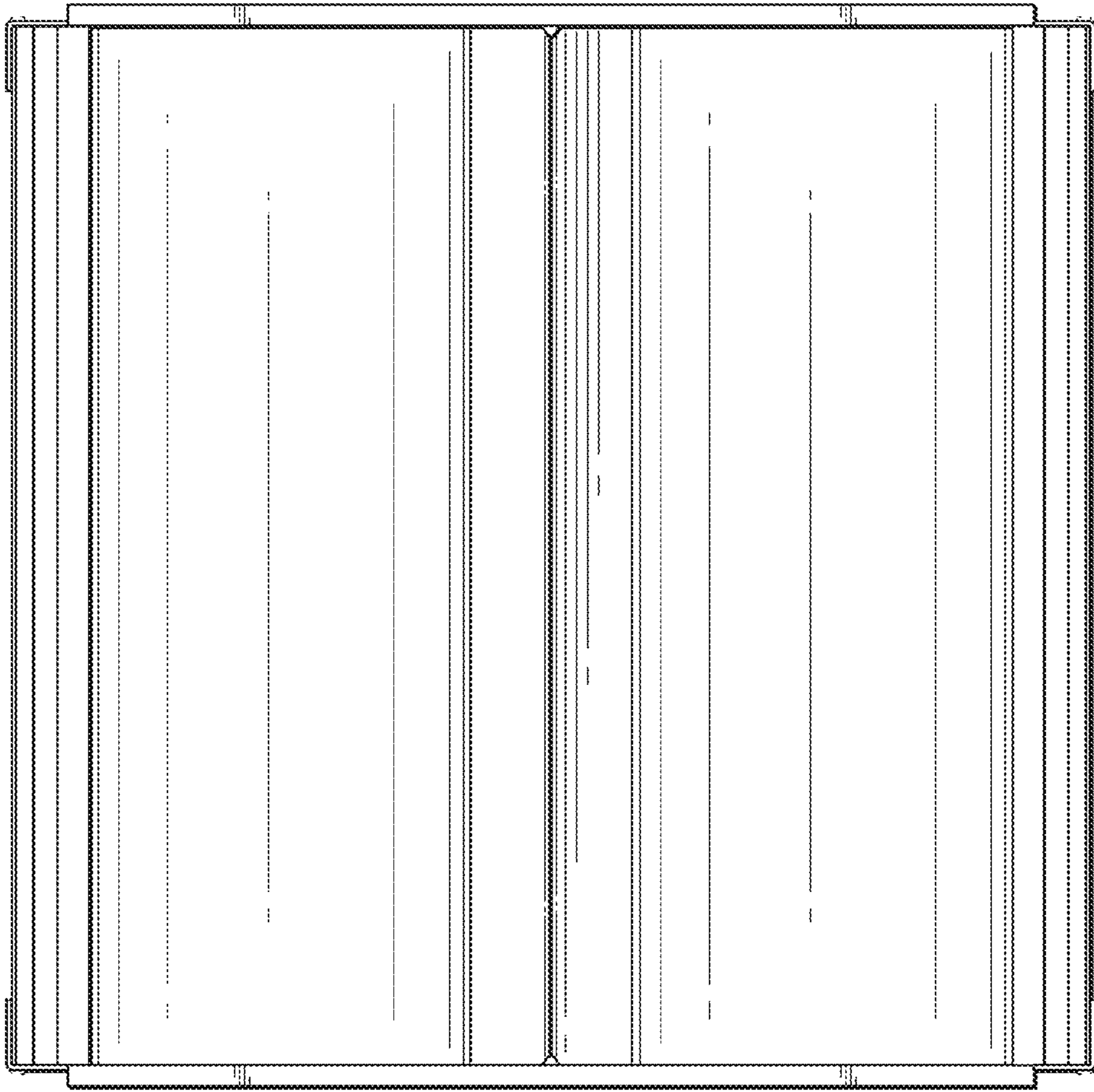


FIG. 2

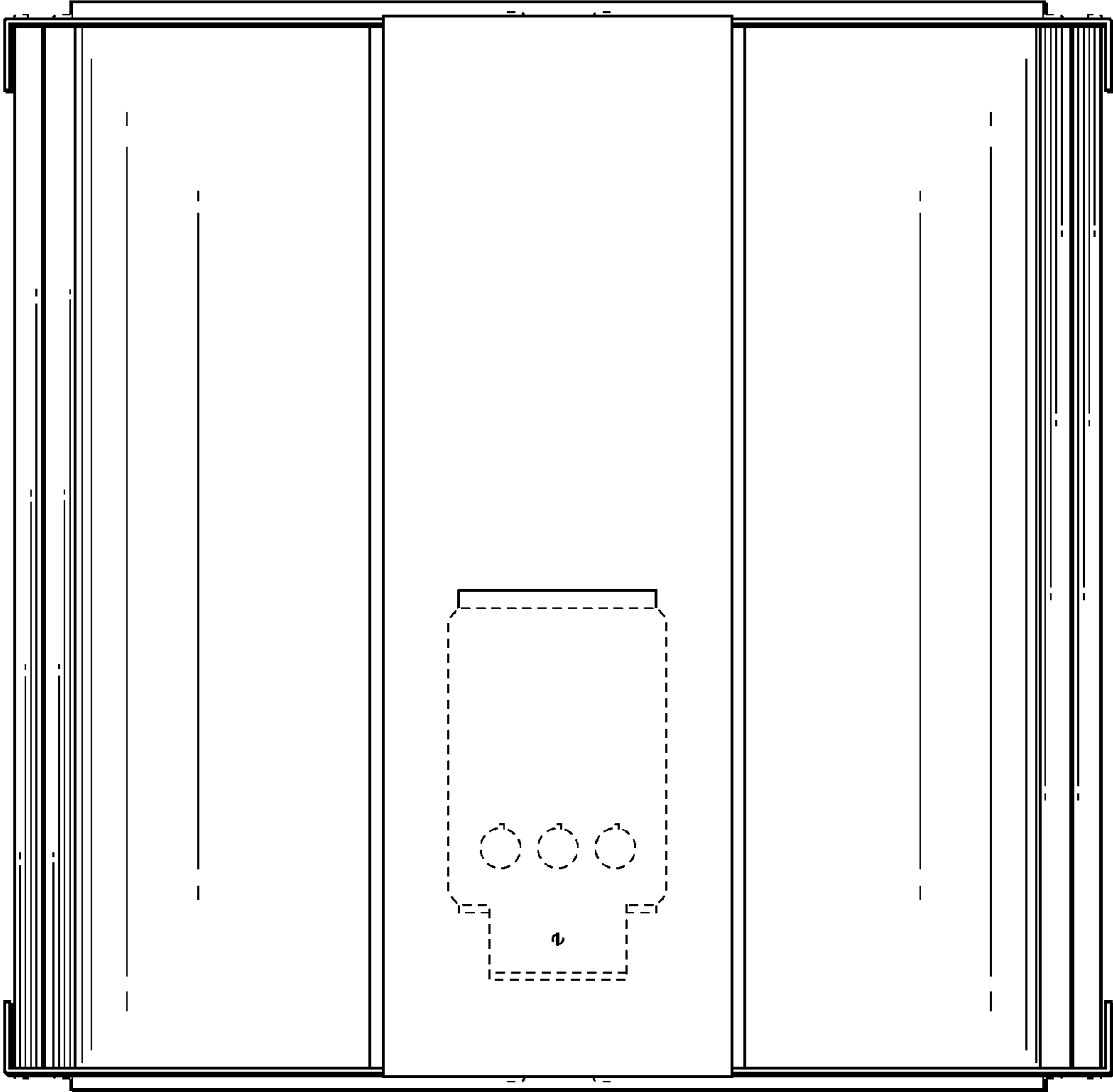


FIG. 3

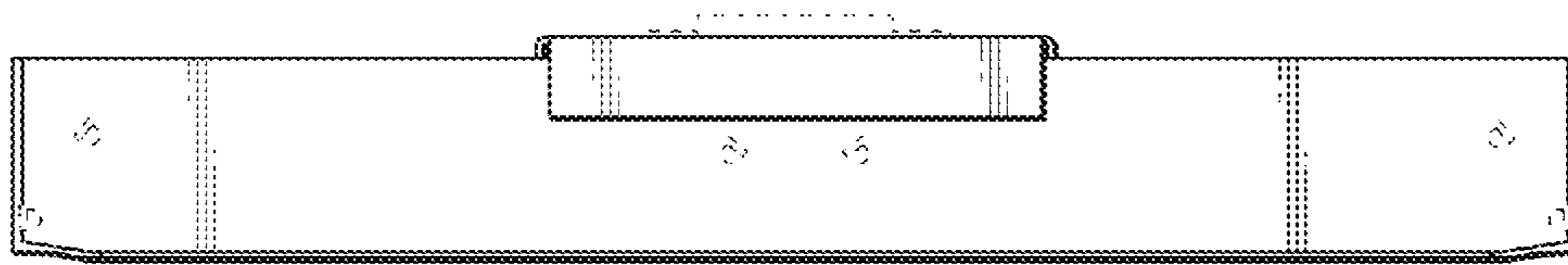


FIG. 4

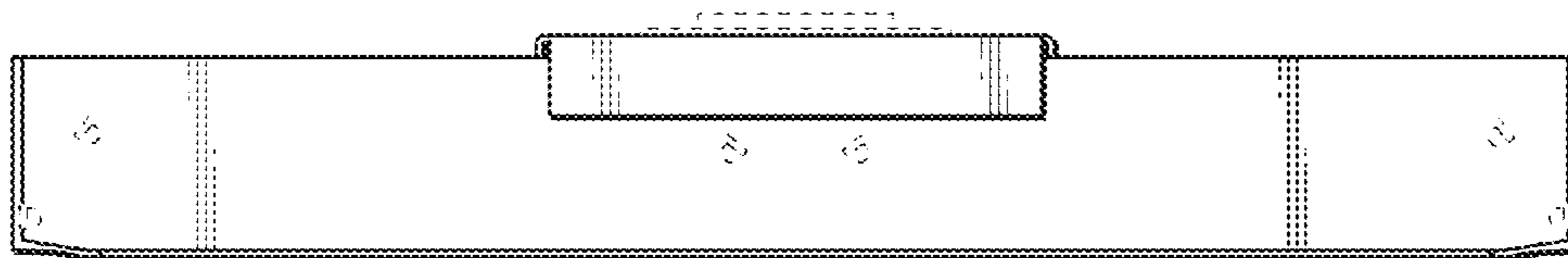


FIG. 5

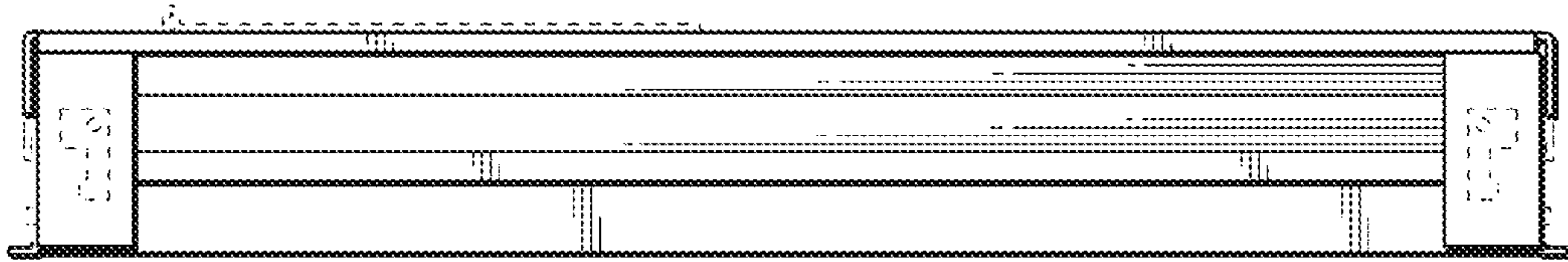


FIG. 6

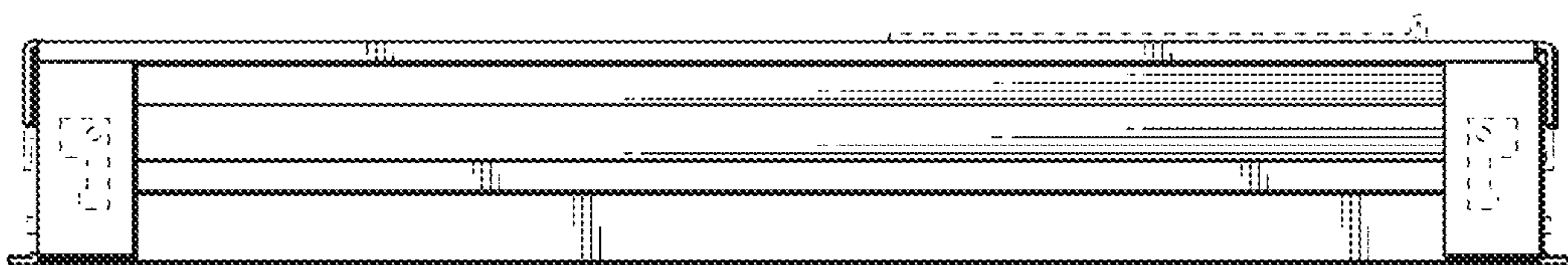


FIG. 7