

US00D696448S

(12) **United States Design Patent**
Huh

(10) **Patent No.:** **US D696,448 S**

(45) **Date of Patent:** **** Dec. 24, 2013**

(54) **FLUSH TYPE CEILING LAMP**

(71) Applicant: **Alto Co., Ltd.**, Seoul (KR)

(72) Inventor: **Seung Hyo Huh**, Seoul (KR)

(73) Assignee: **ALTO, Co., Ltd.**, Seoul (KR)

(**) Term: **14 Years**

(21) Appl. No.: **29/443,005**

(22) Filed: **Jan. 11, 2013**

(51) **LOC (9) Cl.** **26-05**

(52) **U.S. Cl.**

USPC **D26/74**

(58) **Field of Classification Search**

USPC D26/74, 113, 118, 119, 120, 122, 138,
D26/141, 24, 58, 59, 67, 72, 75, 76, 77, 78,
D26/79, 80, 81, 82, 83, 84, 85, 86, 88, 89,
D26/90, 91, 93, 105; 362/364, 365, 366,
362/145, 146, 147, 148, 150, 151, 152, 153,
362/153.1, 217.06, 217.07, 219, 294,
362/296.01, 311.07, 311.09

See application file for complete search history.

(56) **References Cited**

U.S. PATENT DOCUMENTS

D601,293 S * 9/2009 MacKenzie D26/74
D654,205 S * 2/2012 Rashidi D26/74

D658,802 S * 5/2012 Chen D26/74
8,403,533 B1 * 3/2013 Paulsel 362/249.02
D681,859 S * 5/2013 Beregszaszi D26/74
8,434,907 B2 * 5/2013 Kong et al. 362/294
D684,720 S * 6/2013 Rashidi D26/74
D685,118 S * 6/2013 Rashidi D26/74
D685,120 S * 6/2013 Rashidi D26/74
D685,121 S * 6/2013 Rashidi D26/74
2012/0182744 A1 * 7/2012 Santiago et al. 362/365
2013/0051012 A1 * 2/2013 Oehle et al. 362/235

* cited by examiner

Primary Examiner — Angela J Lee

(74) *Attorney, Agent, or Firm* — Wilmer Cutler Pickering
Hale and Dorr LLP

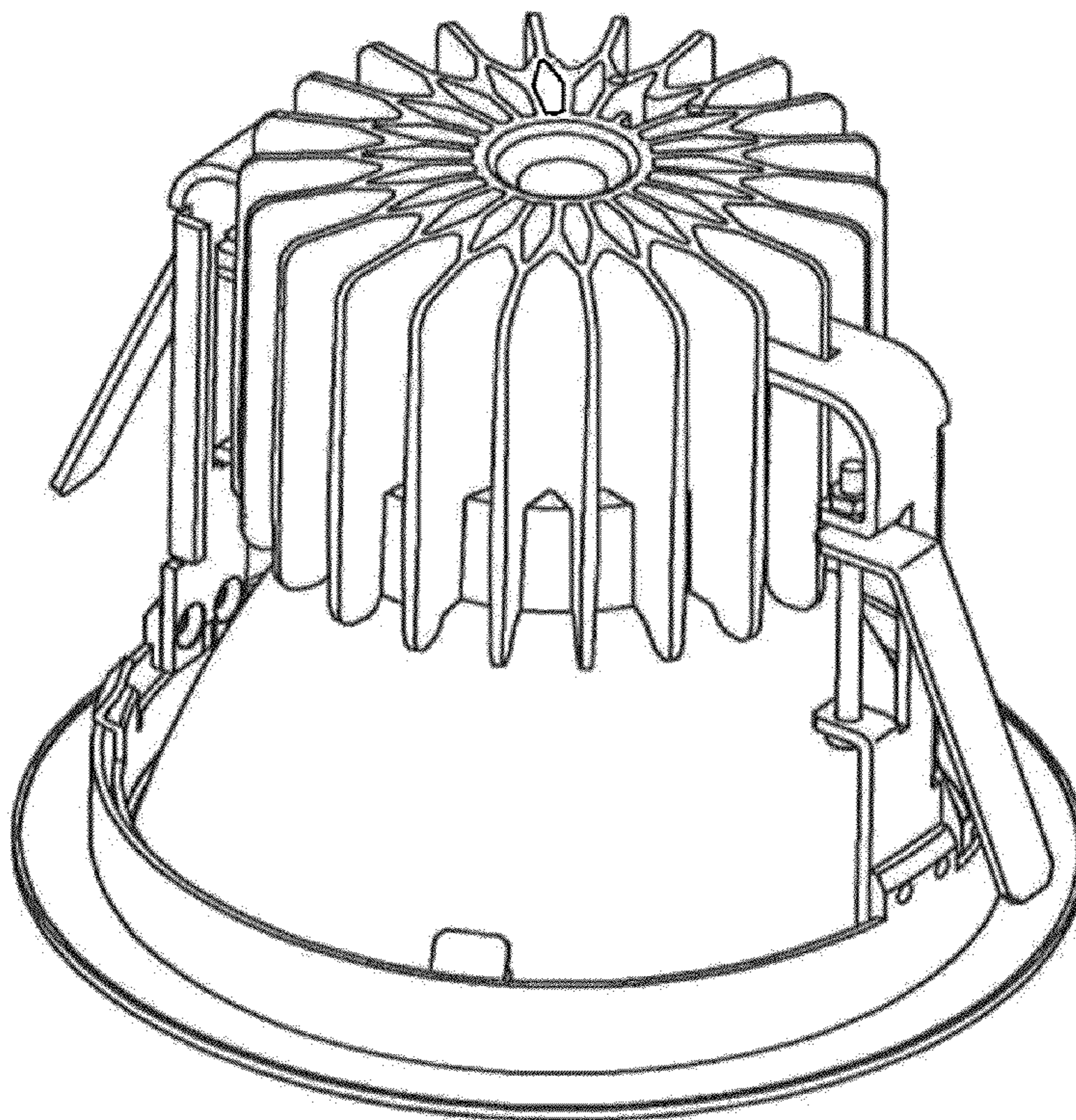
(57) **CLAIM**

I claim the ornamental design for a flush type ceiling lamp, as shown and described.

DESCRIPTION

FIG. 1 is a perspective view of a flush type ceiling lamp in accordance with the new design;
FIG. 2 is a front view thereof;
FIG. 3 is a backside view thereof;
FIG. 4 is a left side view thereof;
FIG. 5 is a right side view thereof;
FIG. 6 is a top view thereof; and,
FIG. 7 is a bottom view thereof.

1 Claim, 7 Drawing Sheets



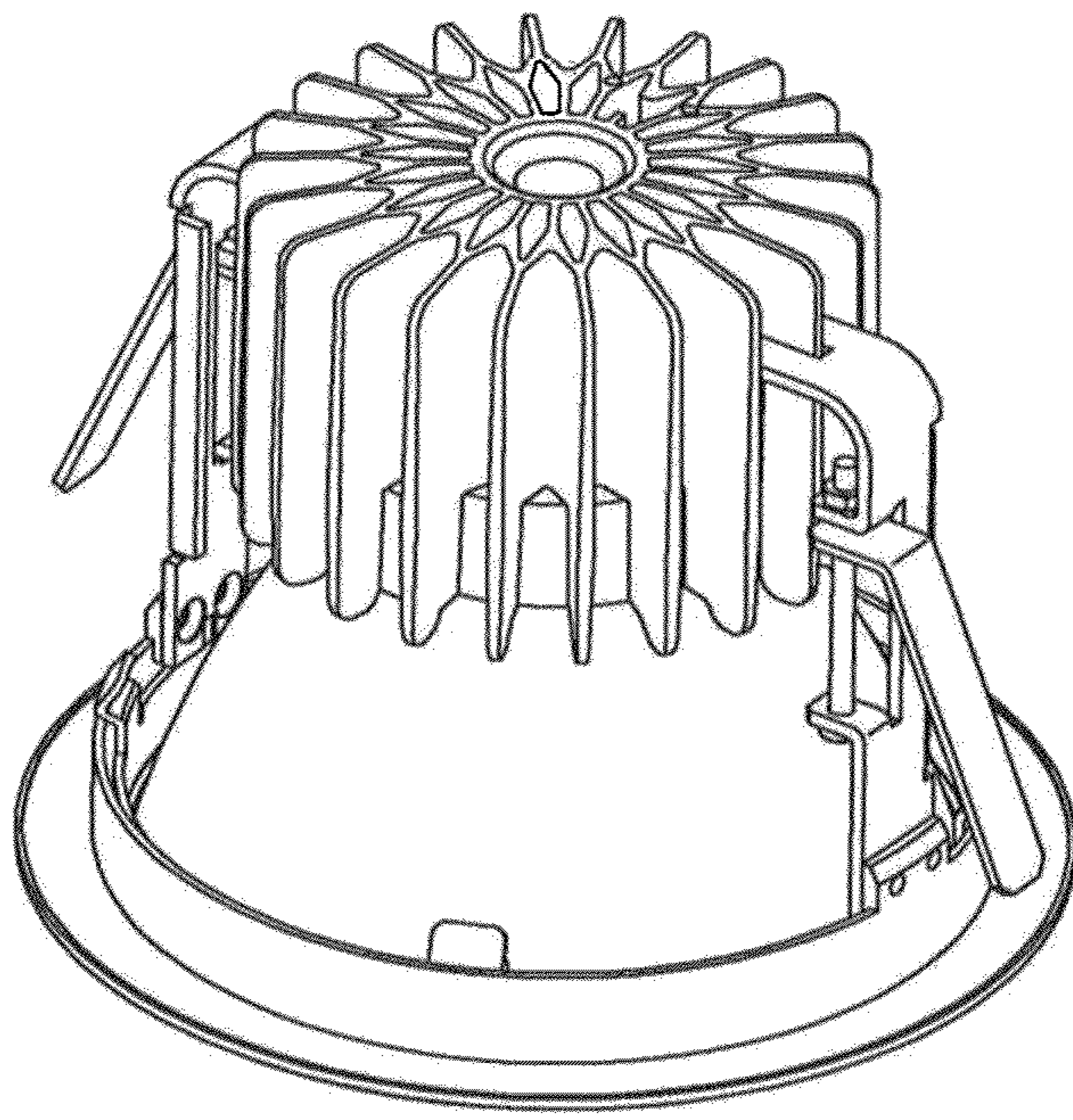


FIG. 1

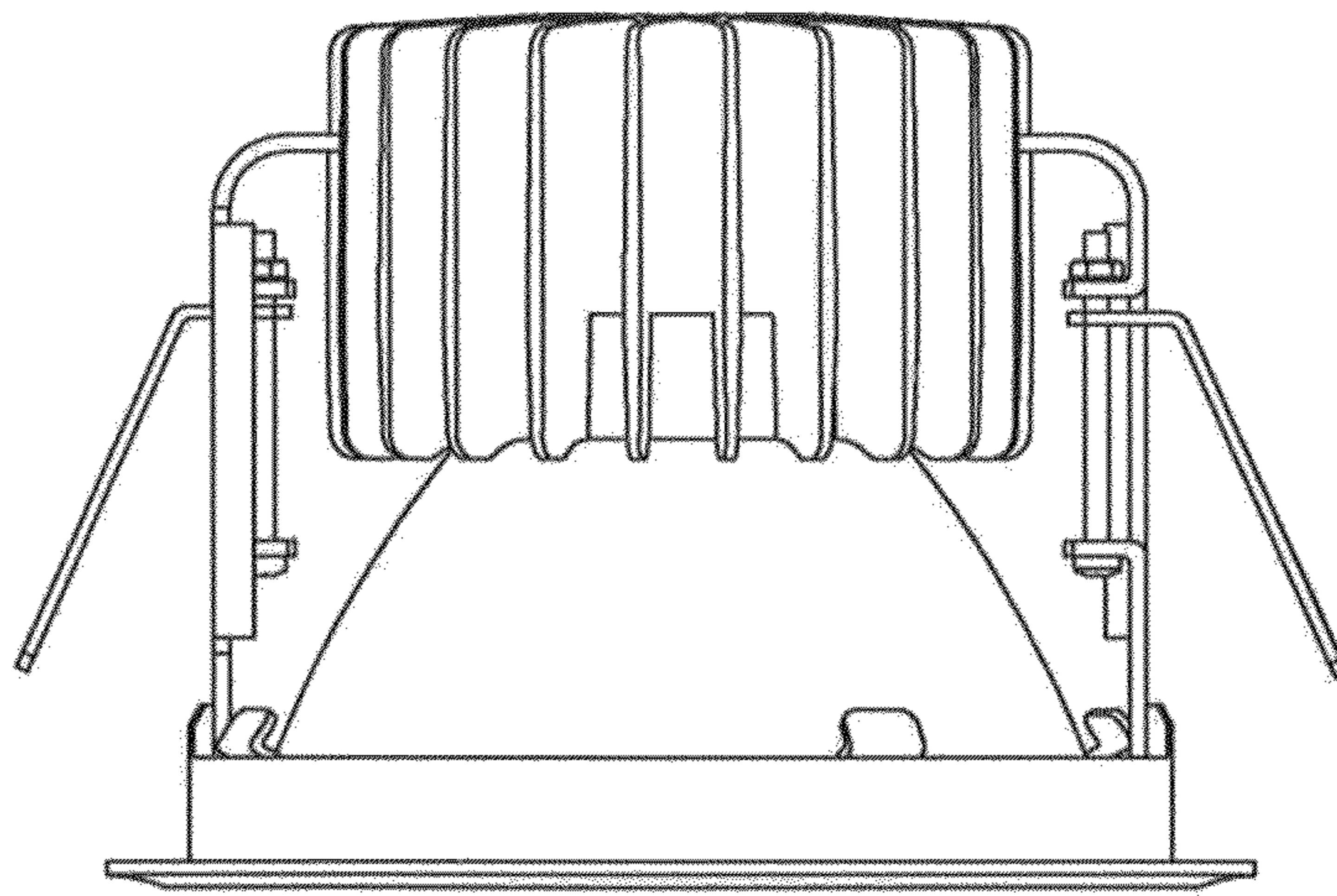


FIG. 2

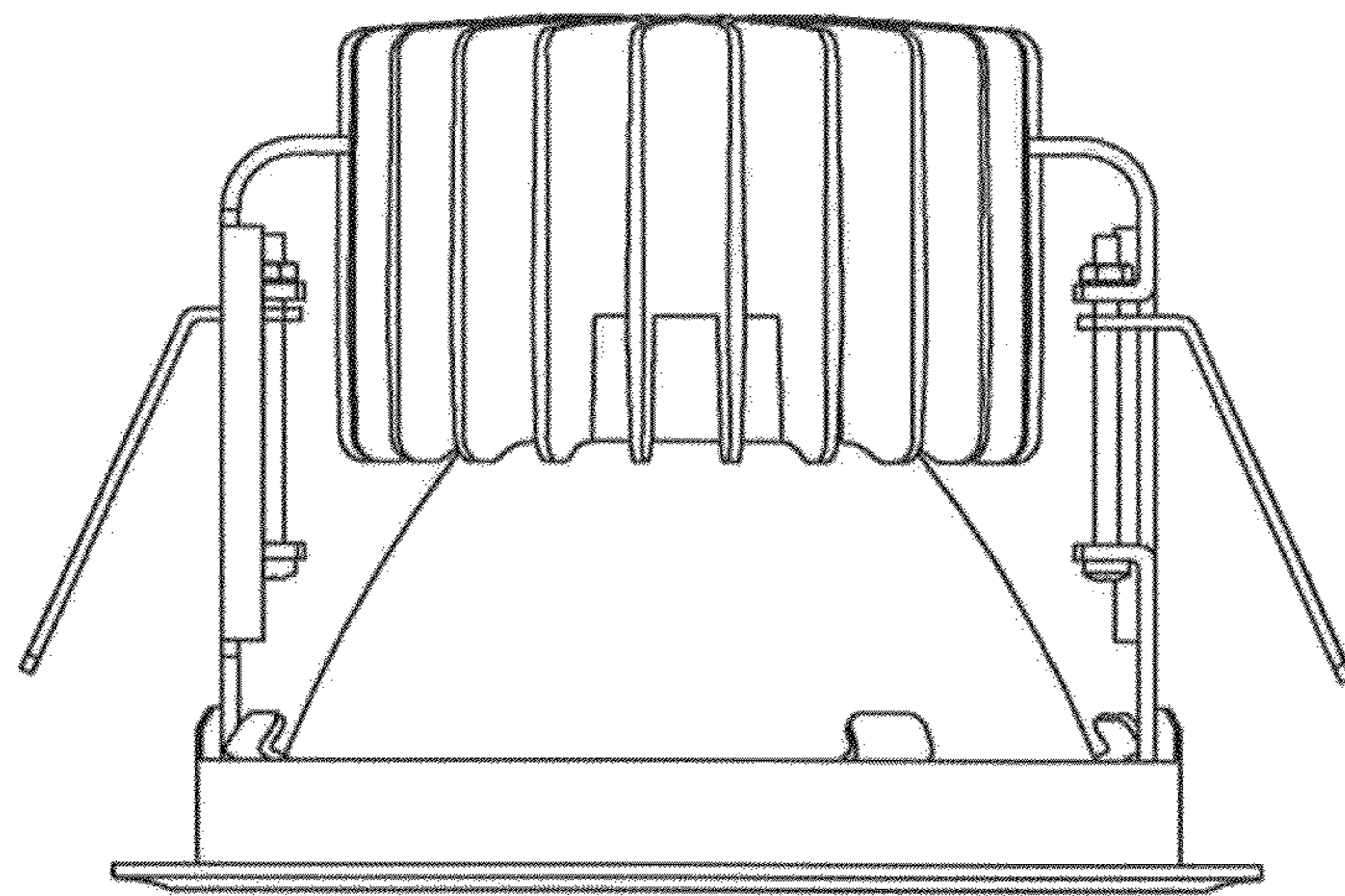


FIG. 3

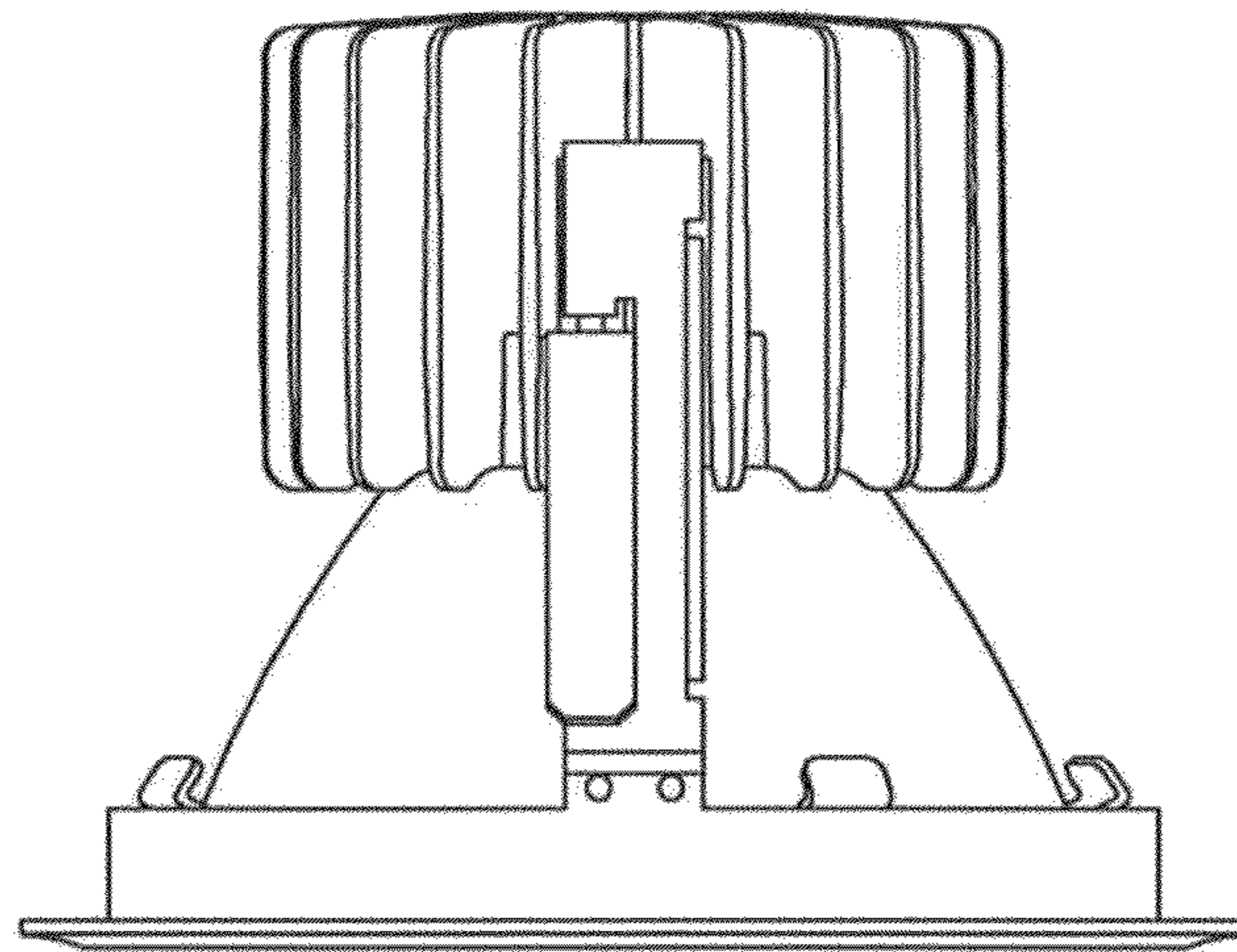


FIG. 4

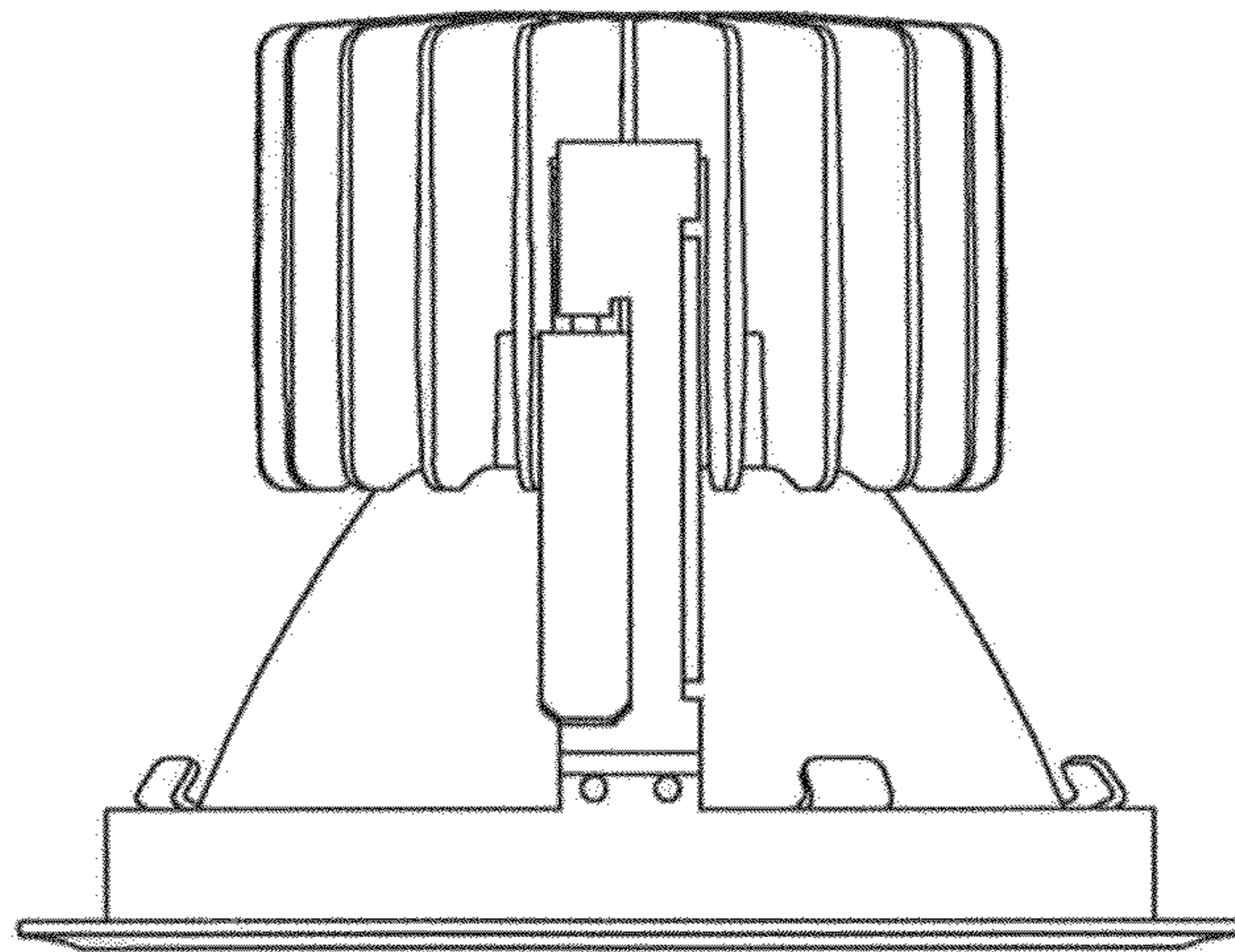


FIG. 5

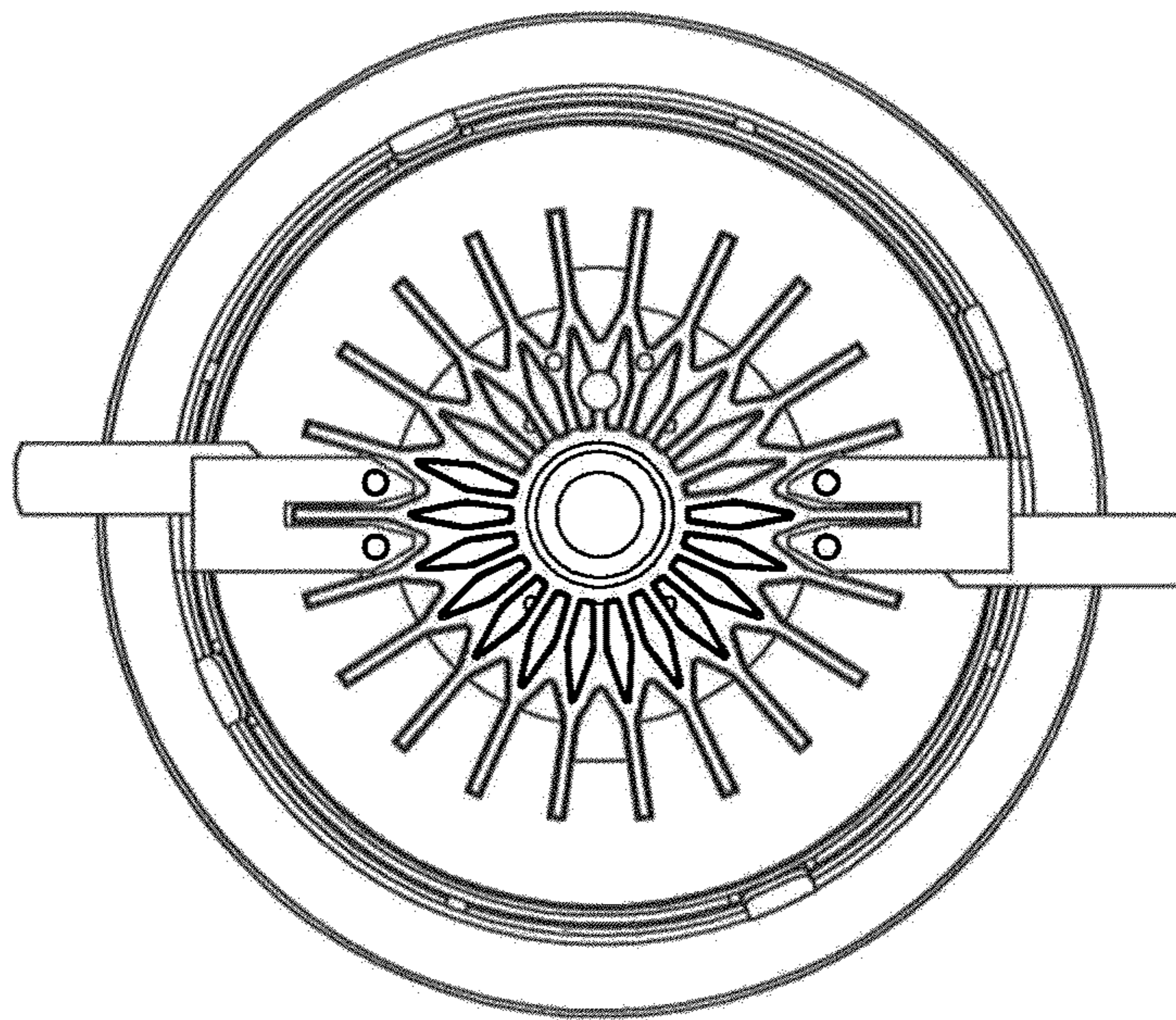


FIG. 6

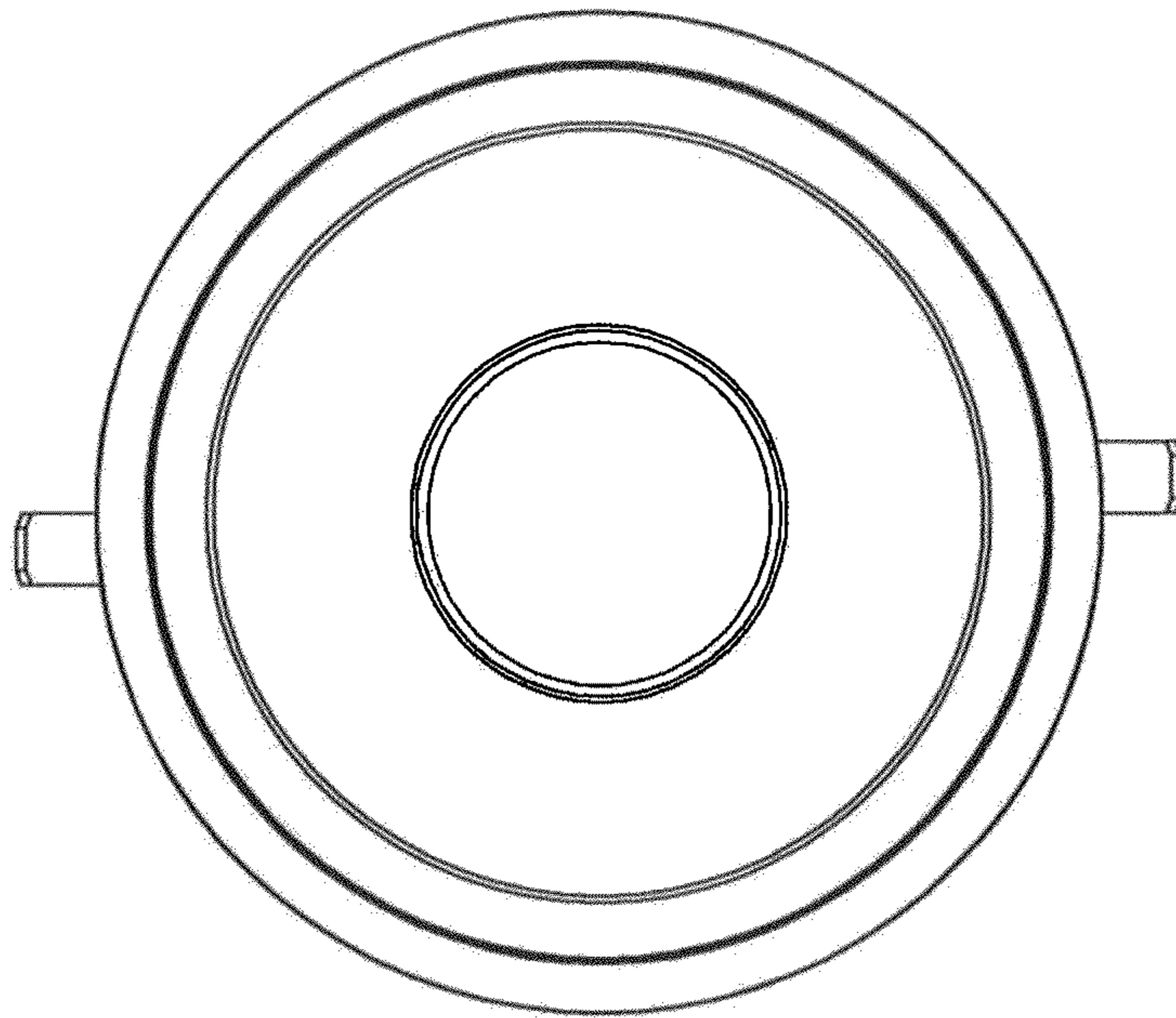


FIG. 7