



US00D696444S

(12) **United States Design Patent**
Ishizuka et al.

(10) **Patent No.:** **US D696,444 S**
(45) **Date of Patent:** **** Dec. 24, 2013**

(54) **REAR COMBINATION LAMP FOR
AUTOMOBILE**

(71) Applicant: **Nissan Motor Co., Ltd.**, Kanagawa (JP)

(72) Inventors: **Kouichi Ishizuka**, Kanagawa (JP);
Shinya Momokawa, Kanagawa (JP)

(73) Assignee: **Nissan Motor Co., Ltd.**, Yokohama (JP)

(**) Term: **14 Years**

(21) Appl. No.: **29/451,130**

(22) Filed: **Mar. 28, 2013**

(30) **Foreign Application Priority Data**

Sep. 28, 2012 (JP) 2012-023858

(51) **LOC (9) Cl.** **26-06**

(52) **U.S. Cl.**
USPC **D26/28**

(58) **Field of Classification Search**
USPC D26/28-36; 362/459-468, 475-478,
362/485-487
See application file for complete search history.

(56) **References Cited**

U.S. PATENT DOCUMENTS

D498,013 S *	11/2004	Pfeiffer	D26/28
D523,976 S *	6/2006	Pfeiffer et al.	D26/28
D538,452 S *	3/2007	Pfeiffer	D26/28
D539,450 S *	3/2007	Pfeiffer	D26/28
D549,363 S *	8/2007	Pfeiffer	D26/28
D553,269 S *	10/2007	Pfeiffer et al.	D26/28
D574,524 S *	8/2008	Tomatsu	D26/28

* cited by examiner

Primary Examiner — Marcus Jackson

(74) *Attorney, Agent, or Firm* — Global IP Counselors, LLP

(57) **CLAIM**

The ornamental design for a rear combination lamp for an automobile, as shown and described.

DESCRIPTION

FIG. 1 is an outside elevational view of a rear combination lamp for an automobile in accordance with a first embodiment of our new design;

FIG. 2 is an inside elevational view of the rear combination lamp for an automobile in accordance with the first embodiment of our new design of FIG. 1;

FIG. 3 is a top plan view of the rear combination lamp for an automobile in accordance with the first embodiment of our new design of FIGS. 1 and 2;

FIG. 4 is a bottom plan view of the rear combination lamp for an automobile in accordance with the first embodiment of our new design of FIGS. 1 to 3;

FIG. 5 is a front side elevational view of the rear combination lamp for an automobile in accordance with the first embodiment of our new design of FIGS. 1 to 4;

FIG. 6 is a rear side elevational view of the rear combination lamp for an automobile in accordance with the first embodiment of our new design of FIGS. 1 to 5; and,

FIG. 7 is a front-outside side perspective view of the rear combination lamp for an automobile in accordance with the first embodiment of our new design of FIGS. 1 to 6.

A second embodiment of our new design is identical to the first embodiment except that the inside elevational view of FIG. 2, the bottom plan view of FIG. 4 and the rear side elevational view of FIG. 6 form no part of the claimed design.

In addition, in the second embodiment, the appearance of the inside structures, the bottom structures and the rear side structures of the rear combination lamp for an automobile as seen in FIGS. 1, 3, 5 and 7 is for purpose of illustrating the boundaries of the exterior surface of the outside of the rear combination lamp for an automobile, and forms no part of the claimed design.

Our new design includes the mirror image of the rear combination lamp for an automobile shown in FIGS. 1 to 7.

1 Claim, 7 Drawing Sheets



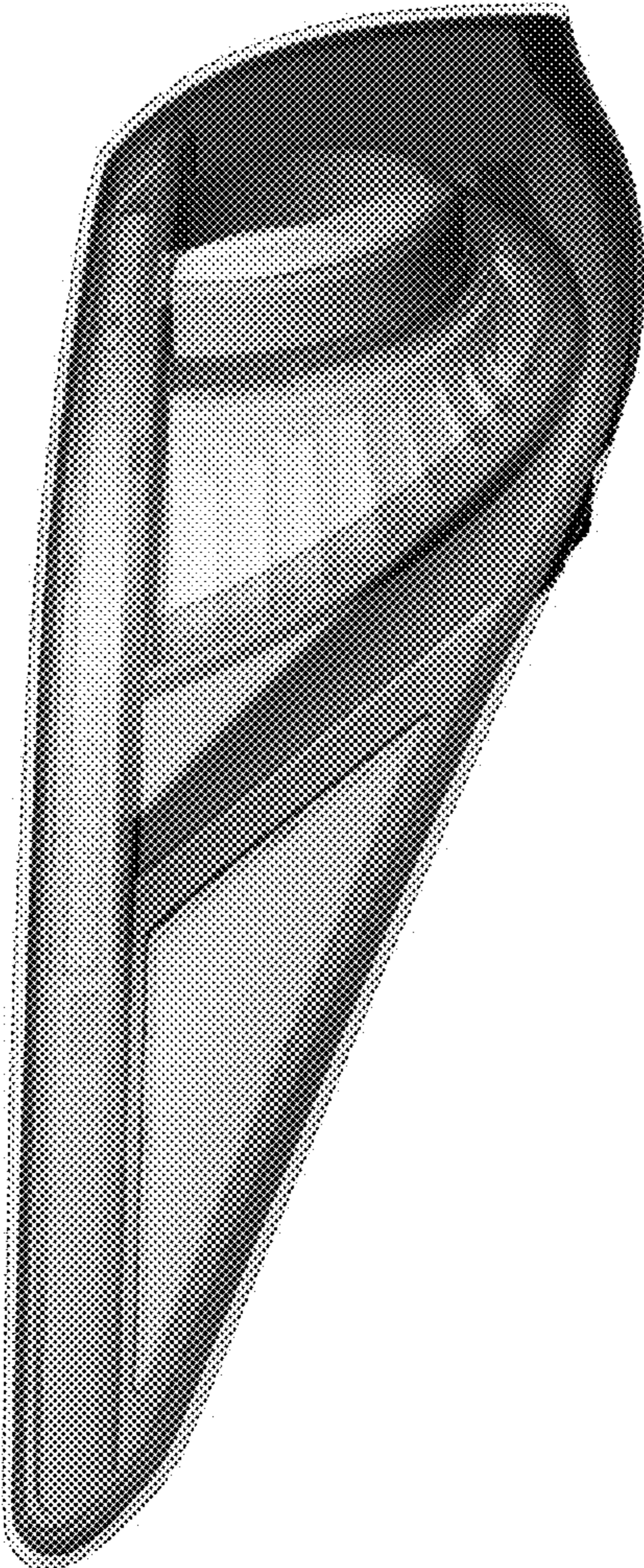


FIG. 1

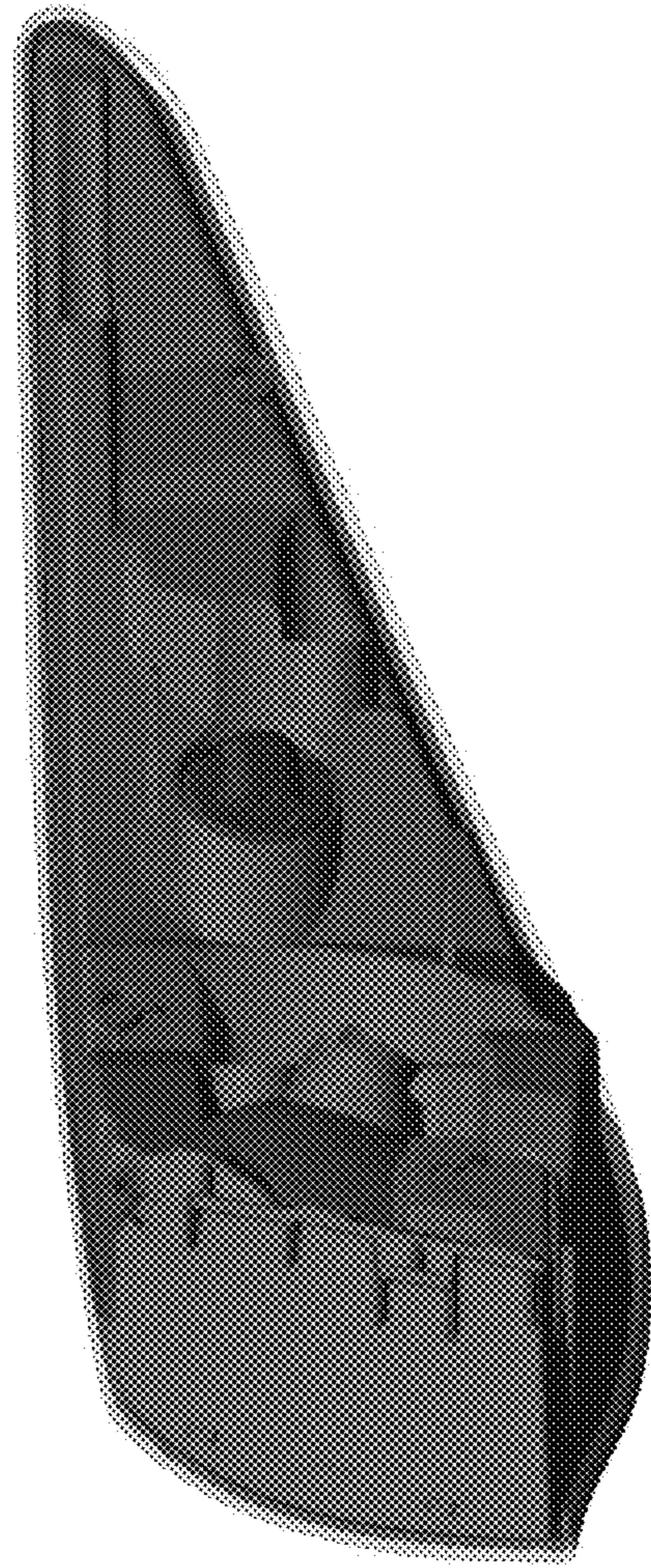


FIG. 2

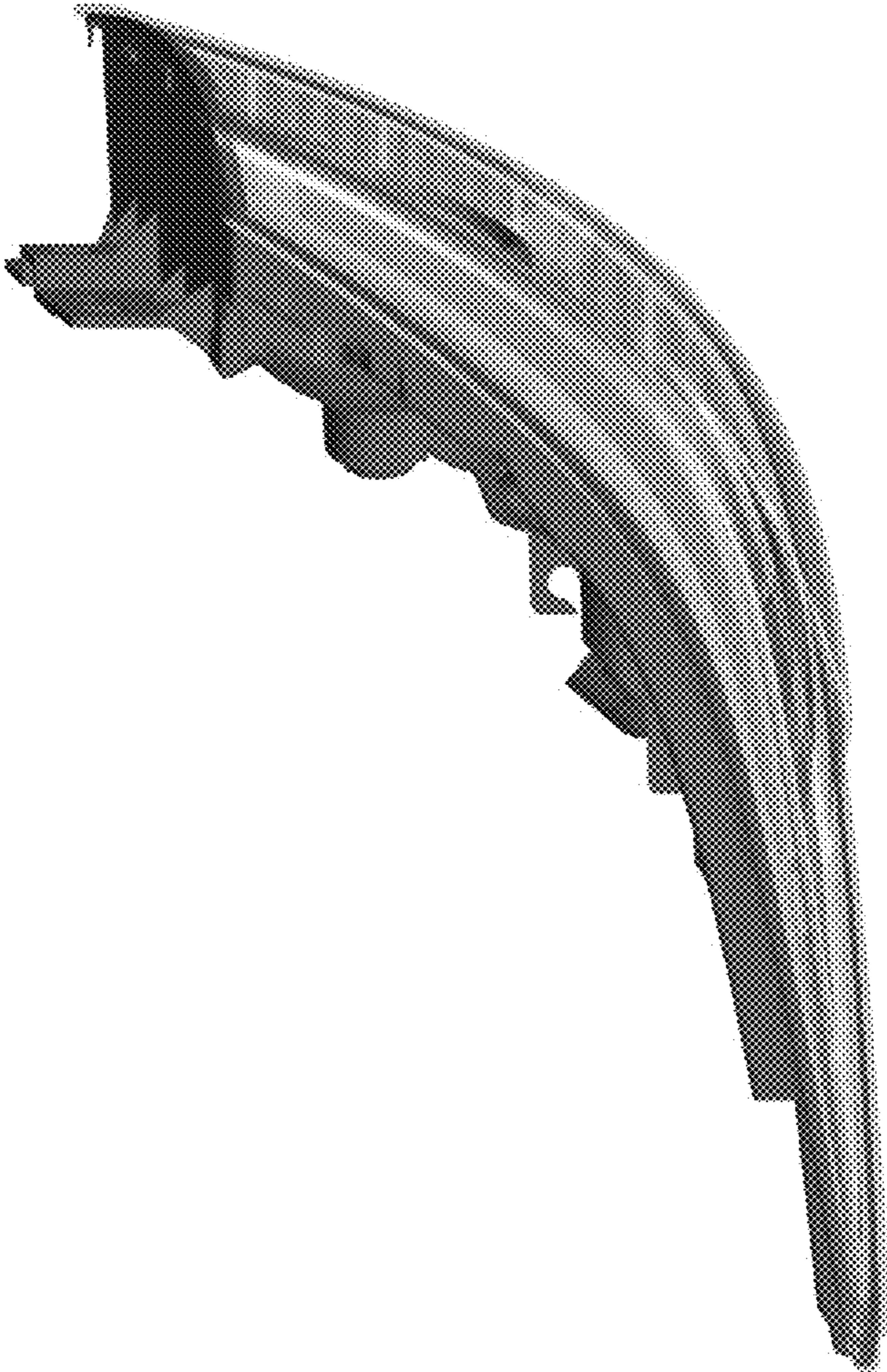


FIG. 3

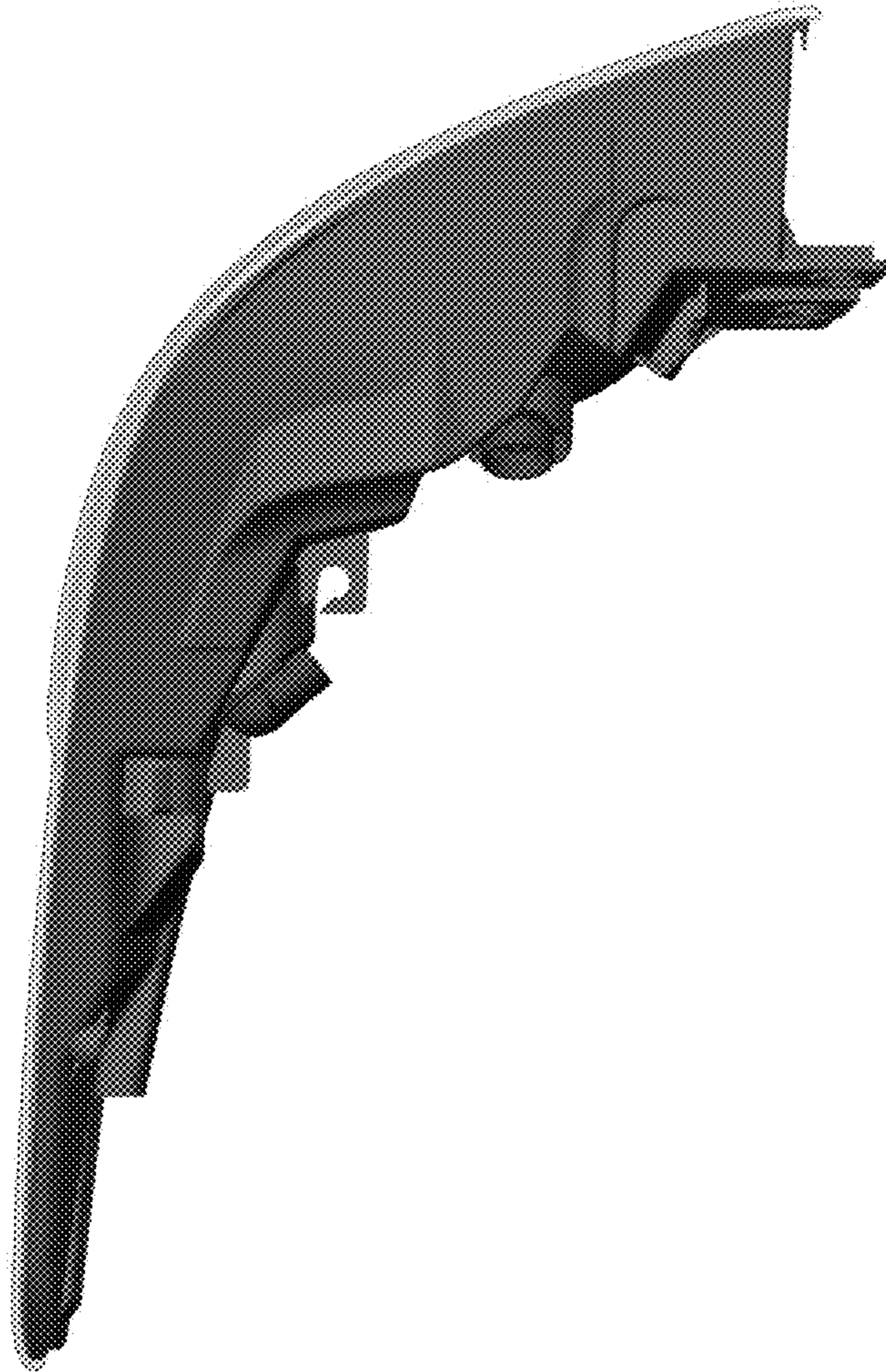


FIG. 4

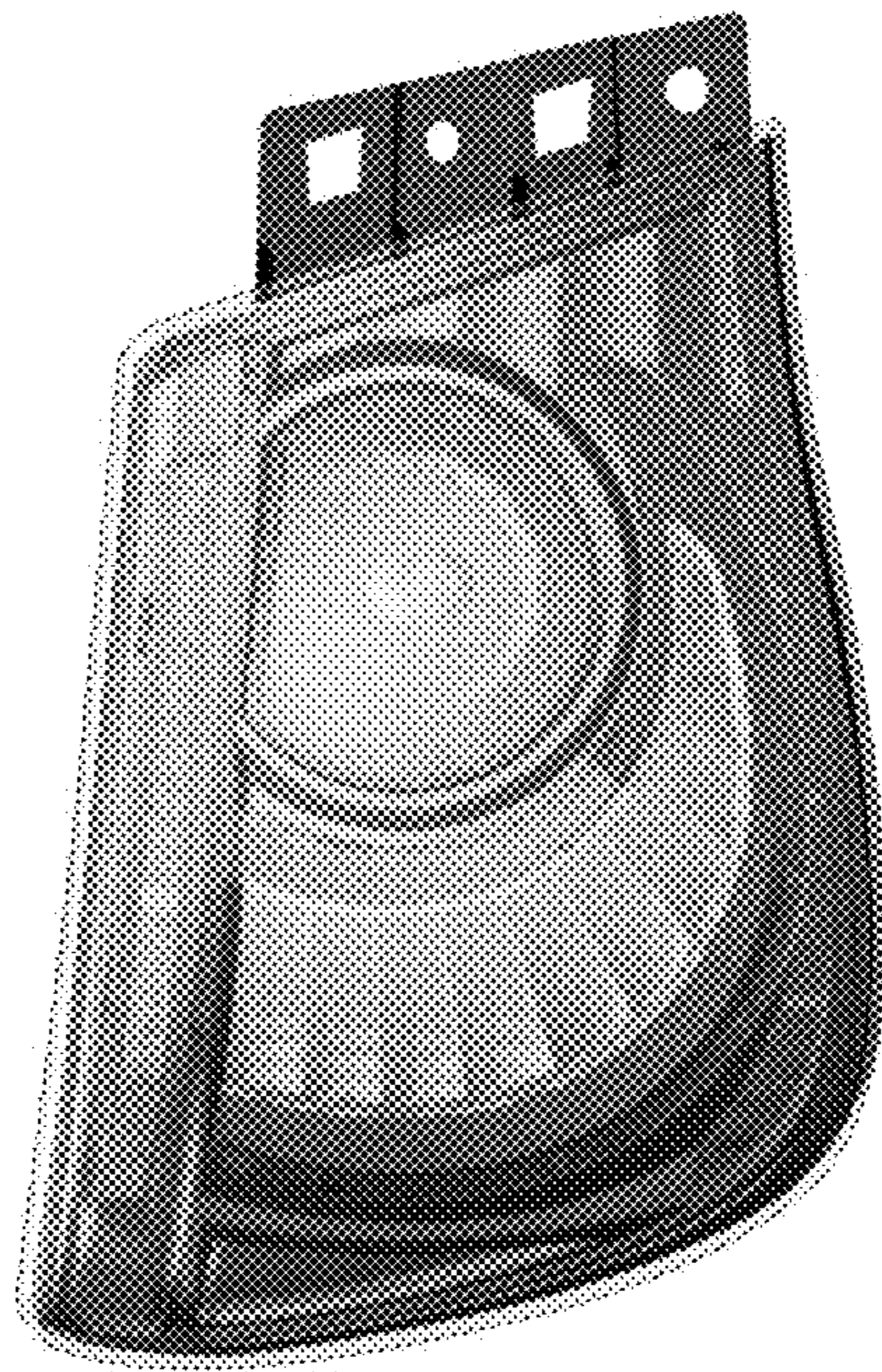


FIG. 5

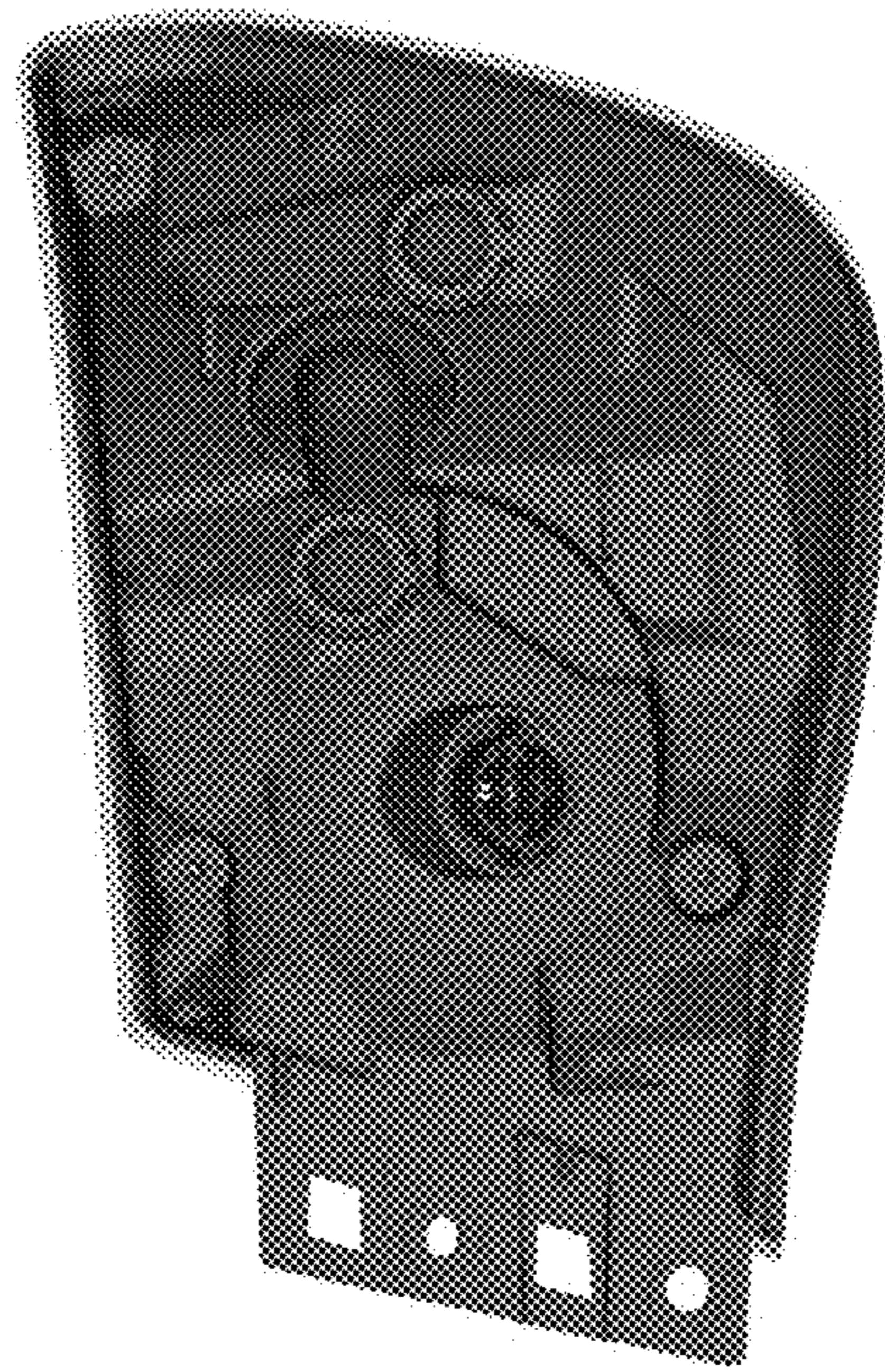


FIG. 6

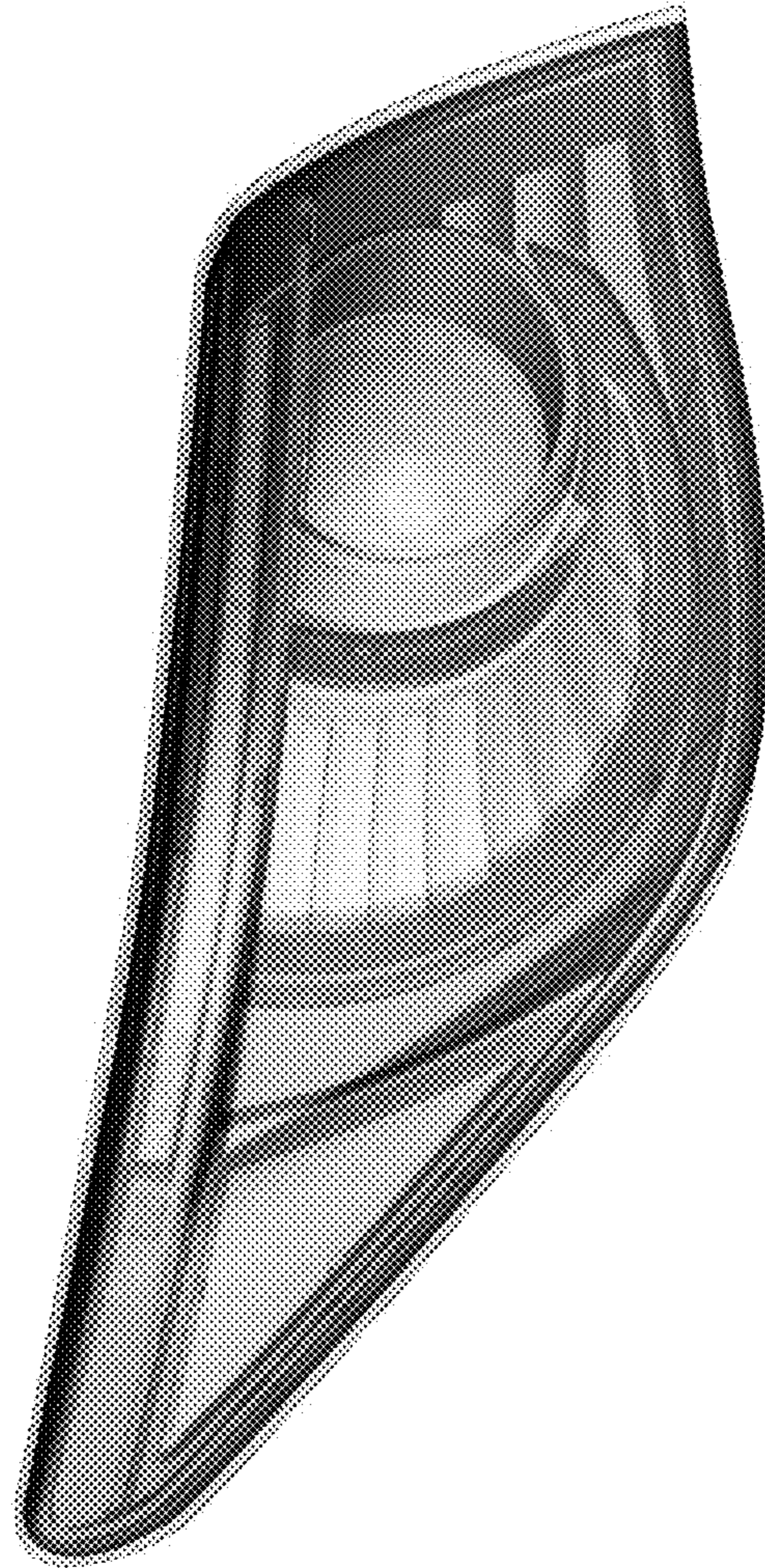


FIG. 7