

US00D696424S

(12) **United States Design Patent**  
**Bonser**

(10) **Patent No.:** **US D696,424 S**  
(45) **Date of Patent:** **\*\* Dec. 24, 2013**

(54) **EMERGENCY SAFETY BOAT LADDER**

(76) Inventor: **Edward Bonser**, Effort, PA (US)

(\*\*) Term: **14 Years**

(21) Appl. No.: **29/430,365**

(22) Filed: **Aug. 24, 2012**

(51) **LOC (9) Cl.** ..... **25-04**

(52) **U.S. Cl.**  
USPC ..... **D25/64**

(58) **Field of Classification Search**  
USPC ..... D25/64; 182/206, 93, 64.1, 186.7,  
182/180.1, 194, 189, 105, 115, 116;  
114/362

See application file for complete search history.

(56) **References Cited**

U.S. PATENT DOCUMENTS

D275,798 S *	10/1984	Ruda et al. ....	D25/64
5,113,782 A *	5/1992	McCarty .....	114/362
6,058,875 A *	5/2000	Krish, Jr. ....	114/362

\* cited by examiner

*Primary Examiner* — Doris Clark

(74) *Attorney, Agent, or Firm* — Cheryl R. Figlin, Esq.;  
Feigin & Associates, LLC.

(57) **CLAIM**

The ornamental design for the emergency safety boat ladder, as shown and described.

**DESCRIPTION**

FIG. 1 shows a perspective view of the emergency safety boat ladder.

FIG. 2 shows a front view of the emergency safety boat ladder when in a lowered position.

FIG. 3 shows a back view of the emergency safety boat ladder when in a lowered position.

FIG. 4 shows a left side plain view of the emergency safety boat ladder when in a lowered position.

FIG. 5 shows a right side plain view of the emergency safety boat ladder when in a lowered position.

FIG. 6 shows a top view of the emergency safety boat ladder when in a lowered position.

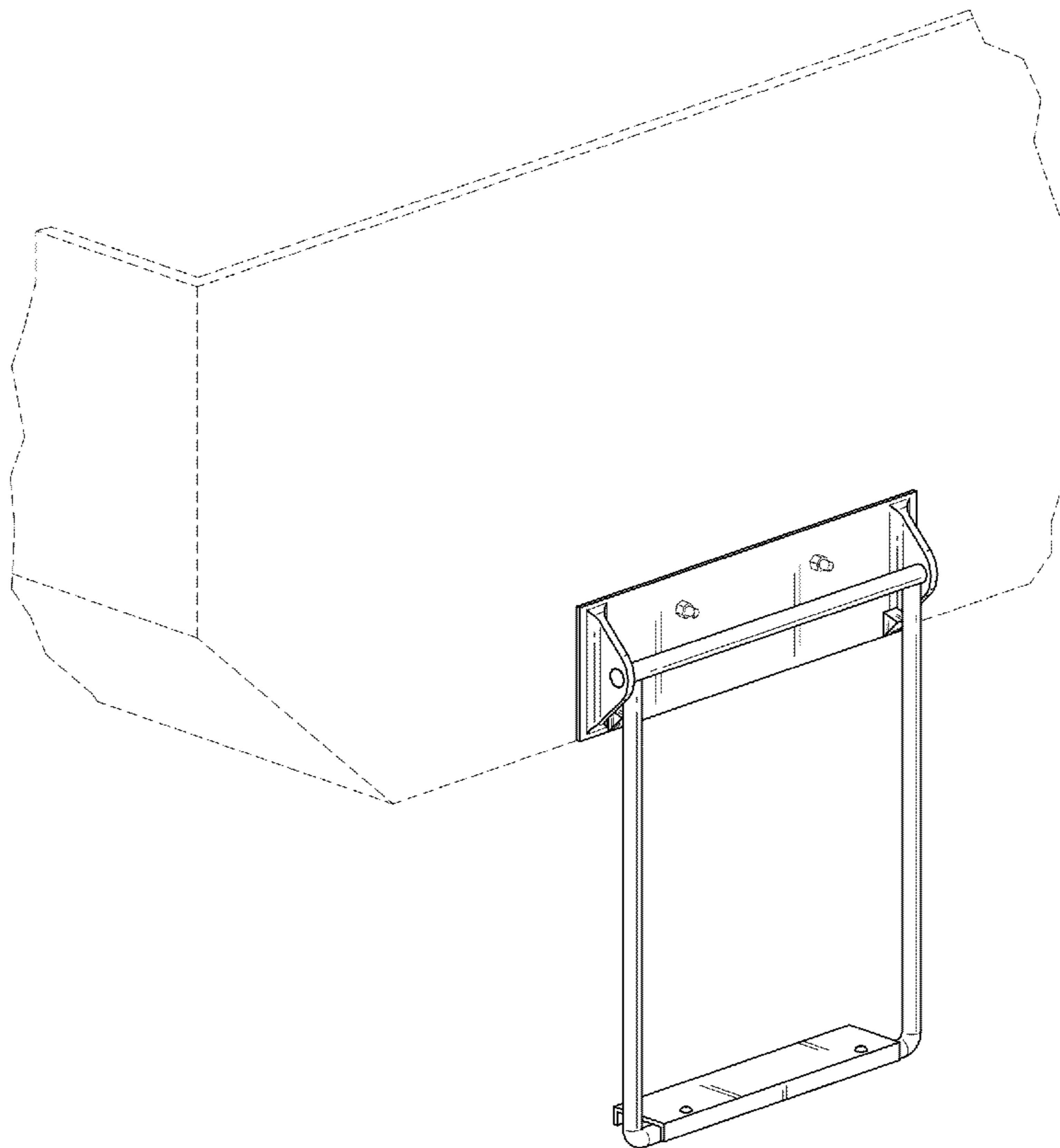
FIG. 7 shows a bottom view of the emergency safety boat ladder when in a lowered position.

FIG. 8 shows a perspective view of the emergency safety boat ladder on a boat in the lowered position; and,

FIG. 9 shows a perspective view of the emergency safety boat ladder on a boat in the raised position.

The broken lines are for illustrative purposes only and form no part of the claimed design.

**1 Claim, 8 Drawing Sheets**



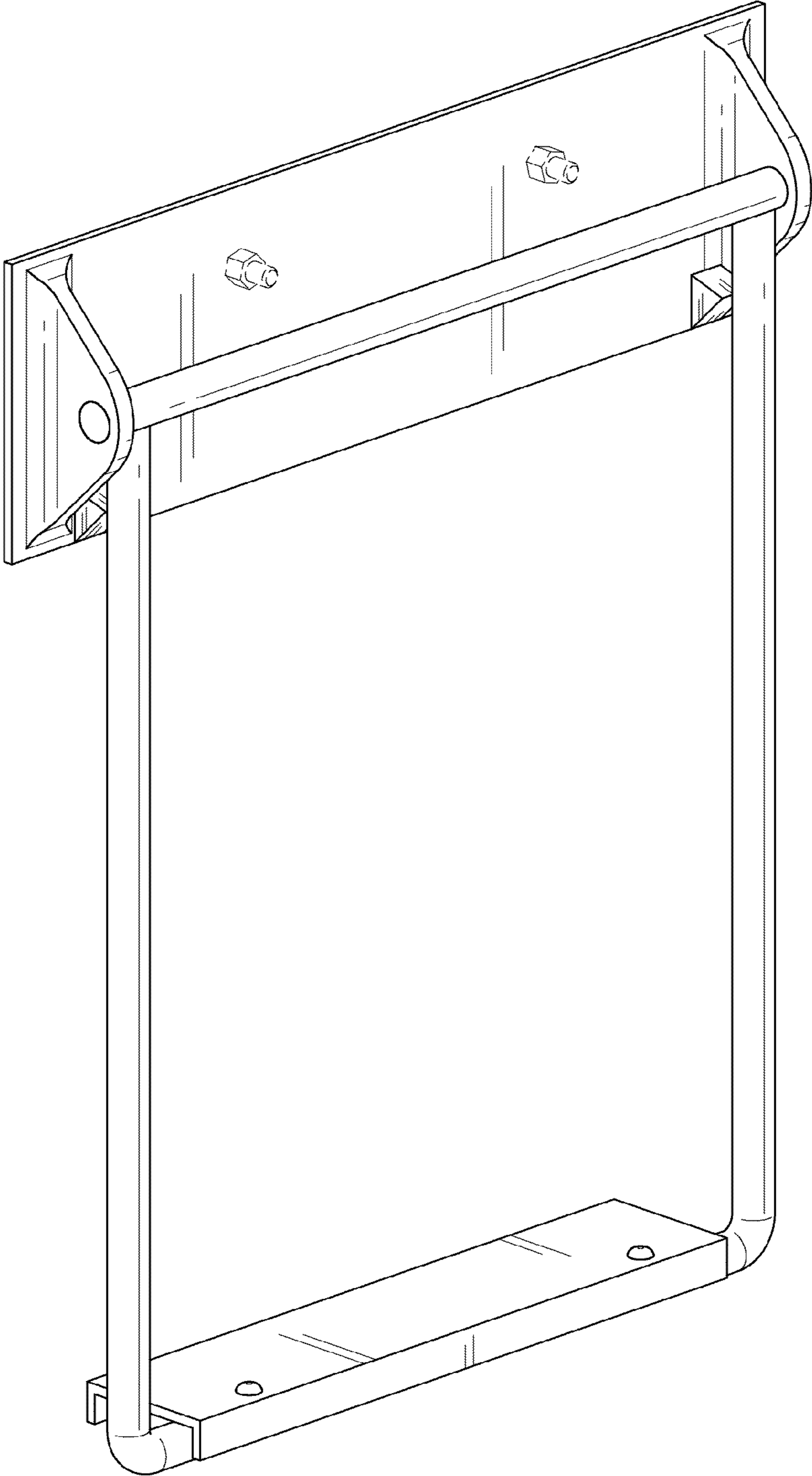


FIG. 1

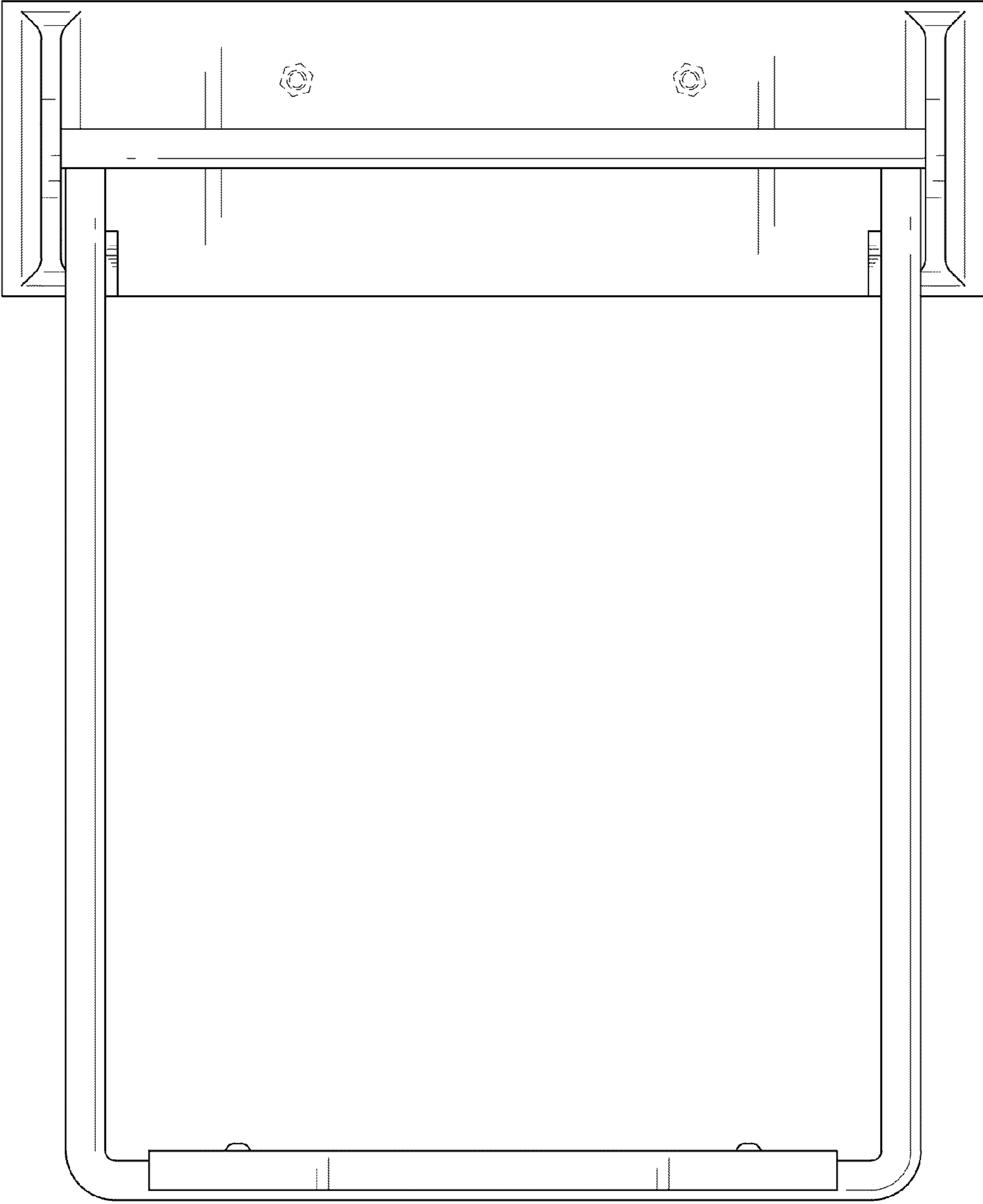


FIG. 2

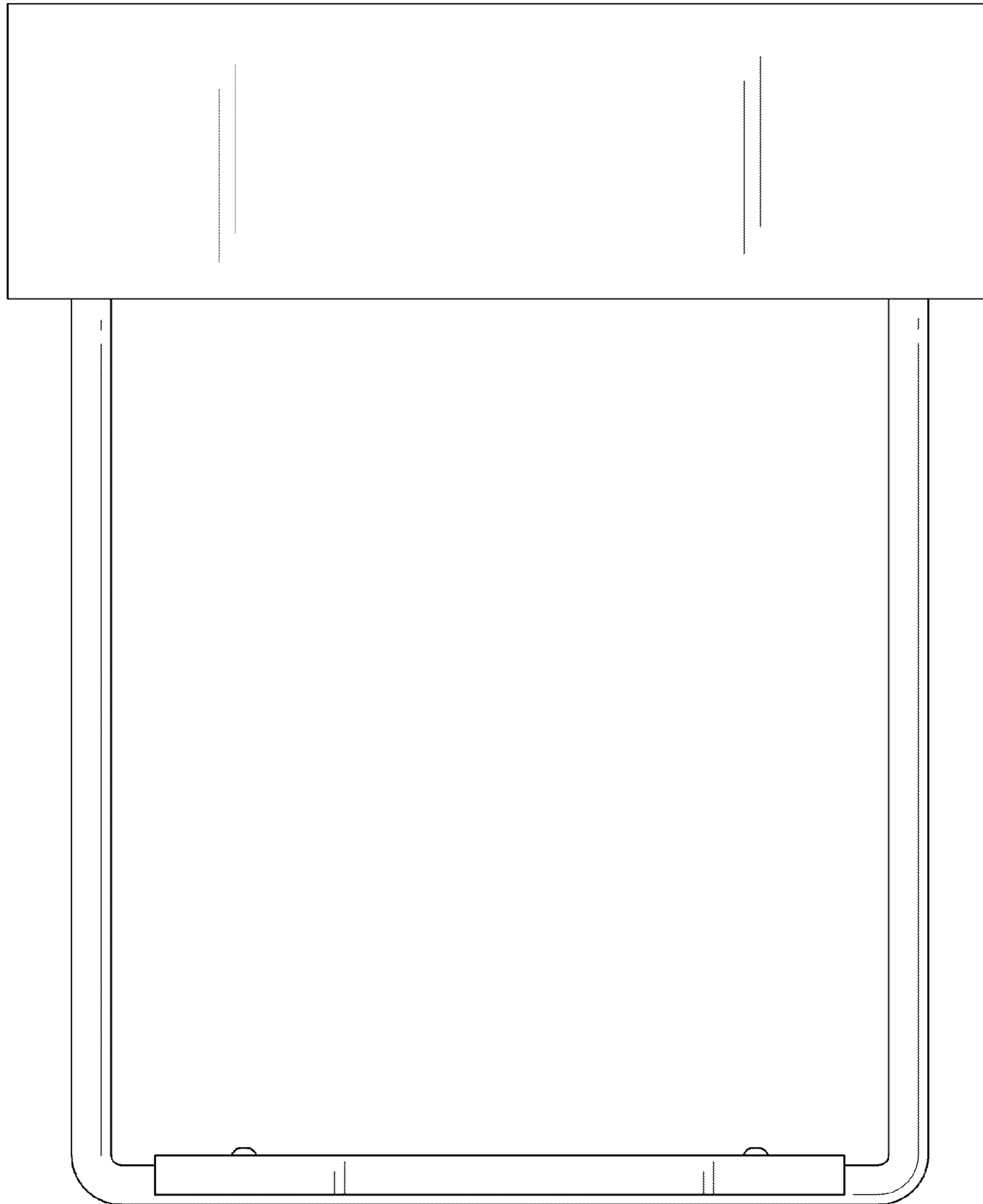


FIG. 3

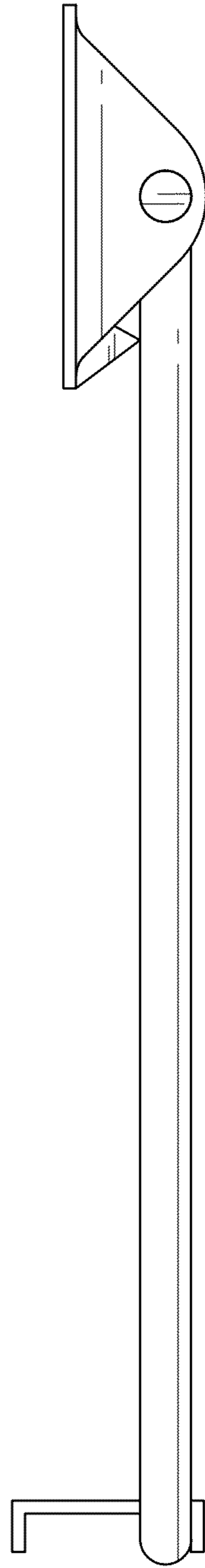


FIG. 4

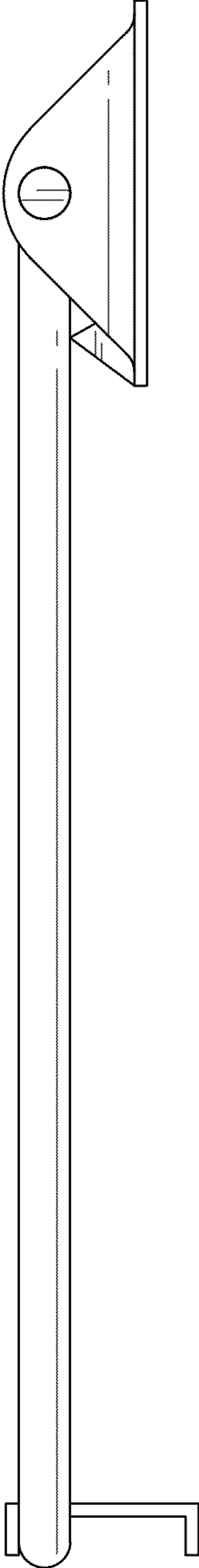


FIG. 5

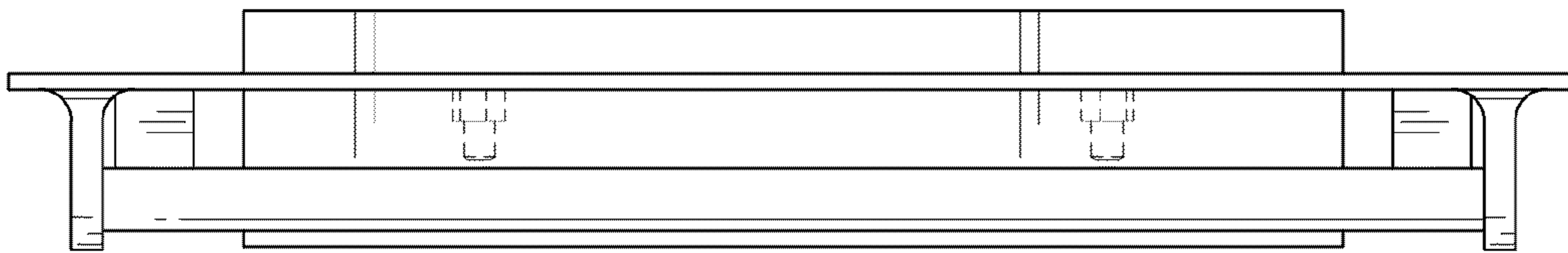


FIG. 6

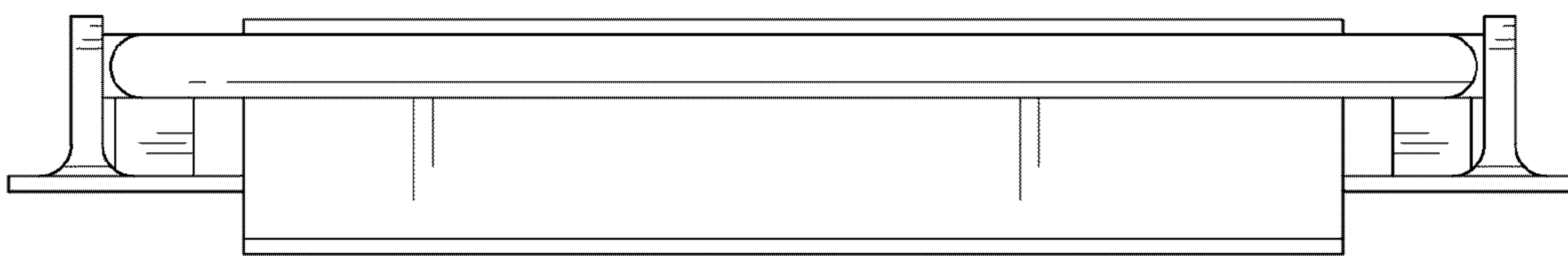


FIG. 7

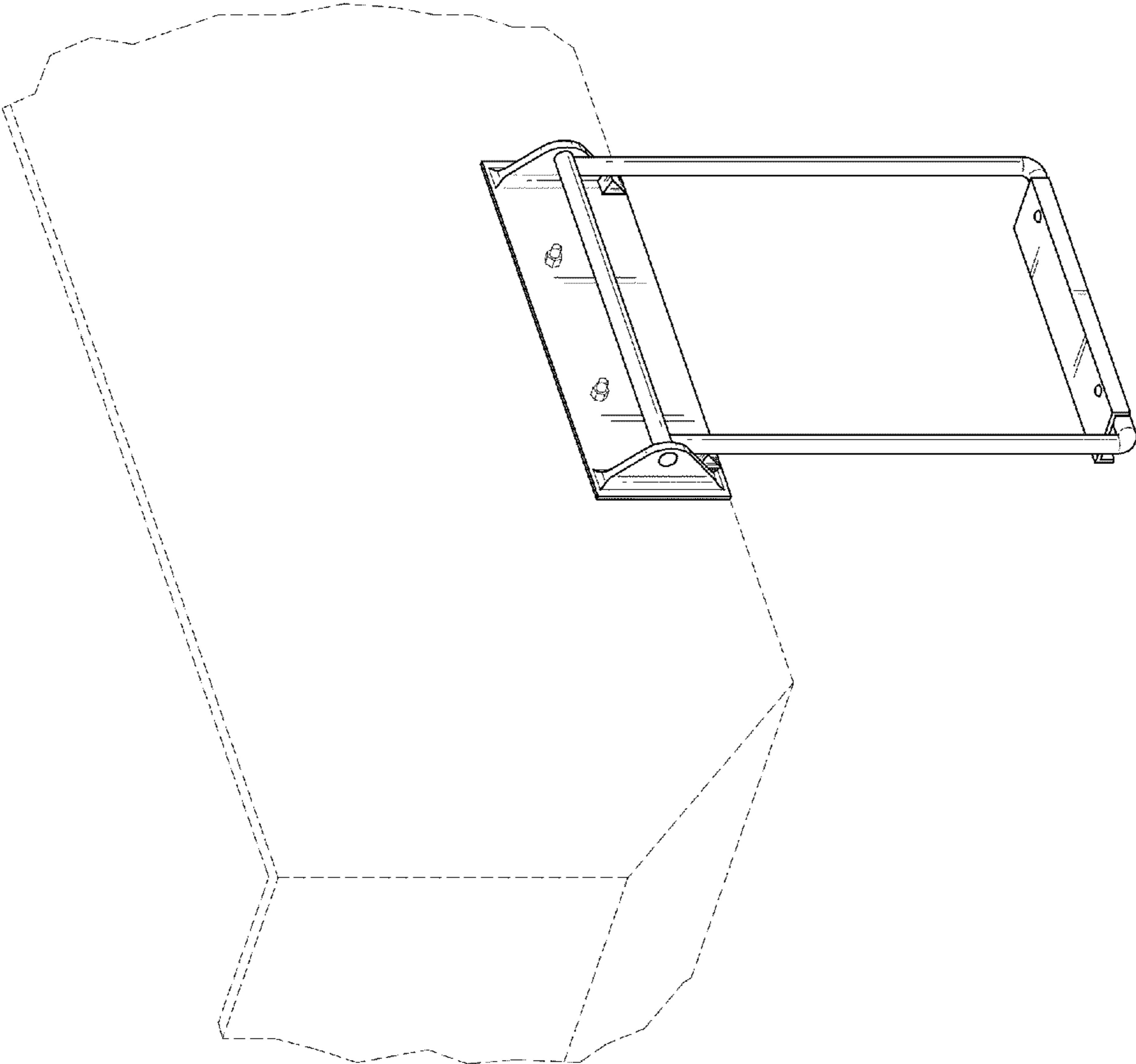


FIG. 8



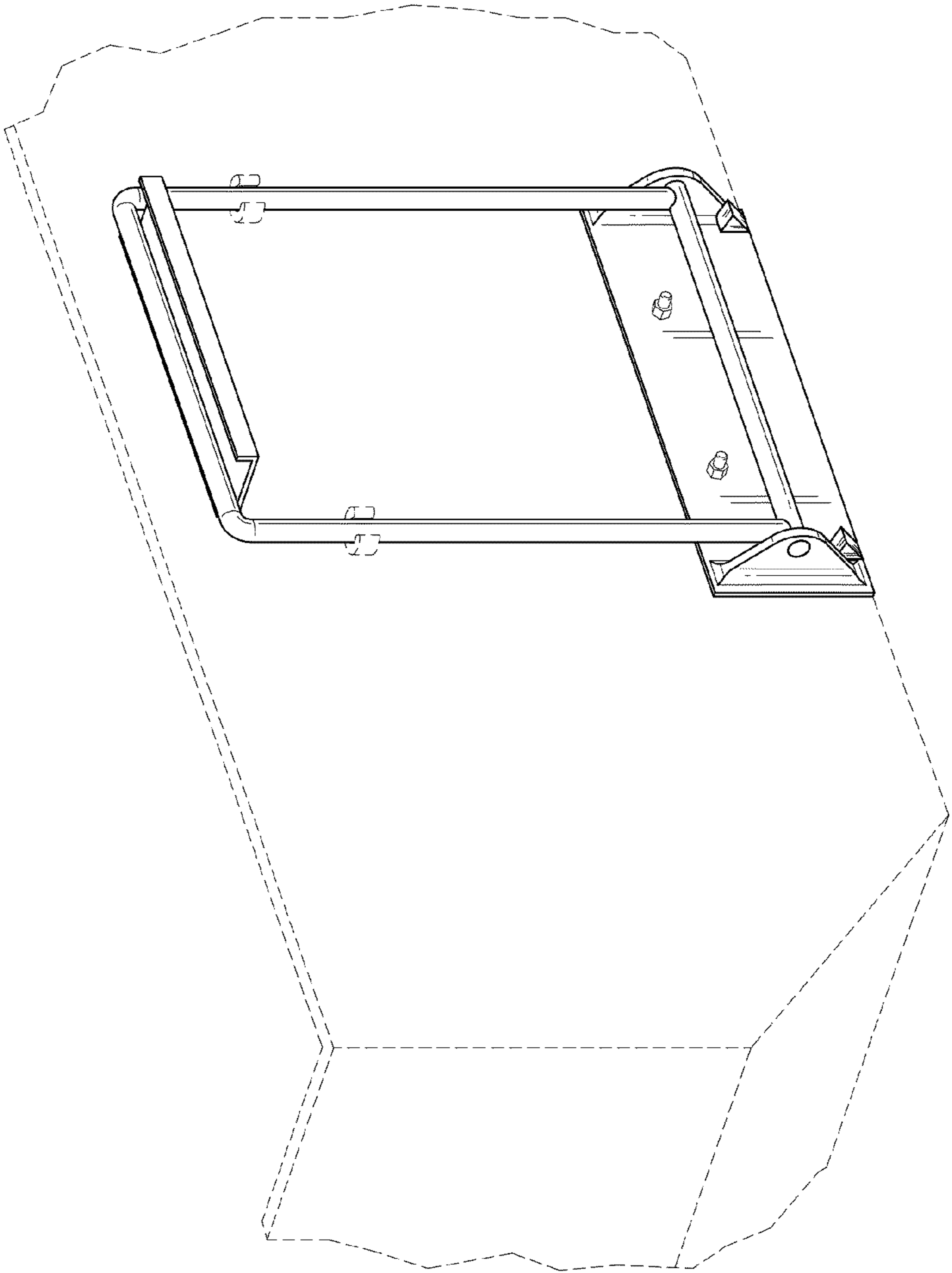


FIG. 9