

US00D696423S

(12) **United States Design Patent**
Gessford et al.

(10) **Patent No.:** **US D696,423 S**

(45) **Date of Patent:** **** Dec. 24, 2013**

(54) **ADJUSTABLE ENCLOSURE WITH COVERING**

(71) Applicants: **Douglas K. Gessford**, Mount Sterling, KY (US); **James D. Eason**, Lexington, KY (US); **Harold S. Elam**, Olympia, KY (US); **Dusty W. Goldie**, Mount Sterling, KY (US); **Charles B. Millard**, Cincinnati, OH (US); **John R. Huseby**, Ada, MI (US)

(72) Inventors: **Douglas K. Gessford**, Mount Sterling, KY (US); **James D. Eason**, Lexington, KY (US); **Harold S. Elam**, Olympia, KY (US); **Dusty W. Goldie**, Mount Sterling, KY (US); **Charles B. Millard**, Cincinnati, OH (US); **John R. Huseby**, Ada, MI (US)

(73) Assignee: **Gateway Manufacturing, Inc.**, Mt. Sterling, KY (US)

(**) Term: **14 Years**

(21) Appl. No.: **29/433,540**

(22) Filed: **Oct. 1, 2012**

Related U.S. Application Data

(63) Continuation of application No. 29/387,667, filed on Mar. 16, 2011, now Pat. No. Des. 668,351.

(51) **LOC (9) Cl.** **25-02**

(52) **U.S. Cl.**
USPC **D25/48.5**

(58) **Field of Classification Search**
USPC D25/56, 48.5; 135/88.02, 96, 124; 160/19

See application file for complete search history.

(56) **References Cited**

U.S. PATENT DOCUMENTS

1,471,530	A *	10/1923	Sittig	256/24
1,703,372	A *	2/1929	Tilton	256/25
2,681,659	A *	6/1954	Hrinsin	256/25
D296,593	S *	7/1988	Alpert	D25/1
5,544,870	A *	8/1996	Kelley et al.	256/26
6,260,566	B1 *	7/2001	LaFave et al.	135/88.01
D474,282	S *	5/2003	Miller et al.	D25/48.5
D544,104	S *	6/2007	Grotbeck	D25/56
D562,989	S *	2/2008	Chipman	D25/56
2002/0124877	A1 *	9/2002	Dufort	135/87
2003/0177576	A1 *	9/2003	LaMantia	5/97

* cited by examiner

Primary Examiner — Doris Clark

(74) *Attorney, Agent, or Firm* — King & Schickli, PLLC

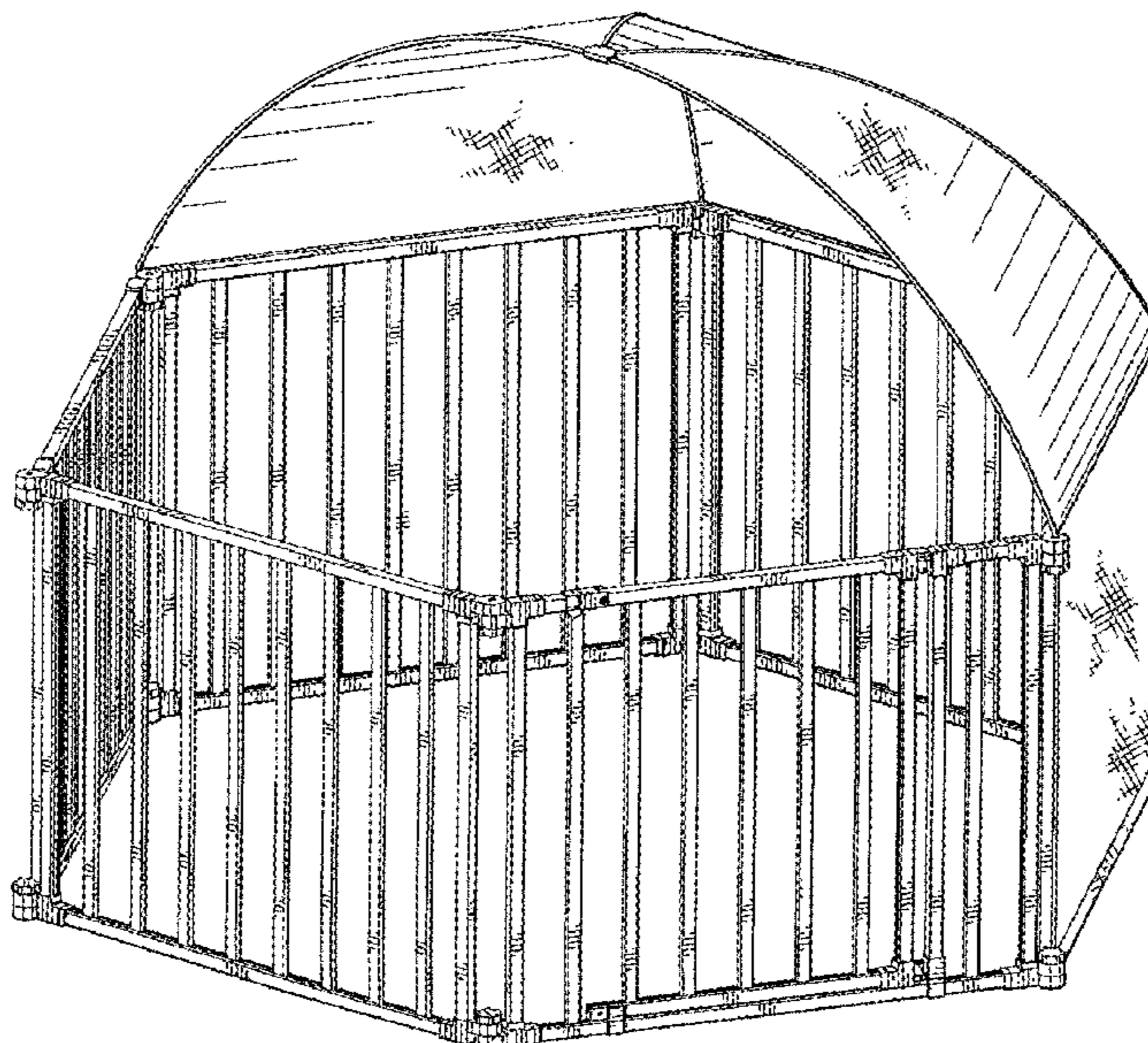
(57) **CLAIM**

The ornamental design of an adjustable enclosure with covering, as shown and described.

DESCRIPTION

FIG. 1 is an isometric view of the adjustable enclosure with covering of the present invention with side flaps down; FIG. 2 is a front elevational view thereof; FIG. 3 is a right side elevational view thereof; FIG. 4 is a rear elevational view thereof; FIG. 5 is a left side elevational view thereof; FIG. 6 is a top plan view thereof; FIG. 7 is a bottom plan view thereof; and, FIG. 8 is an isometric view thereof with the side flaps up.

1 Claim, 8 Drawing Sheets



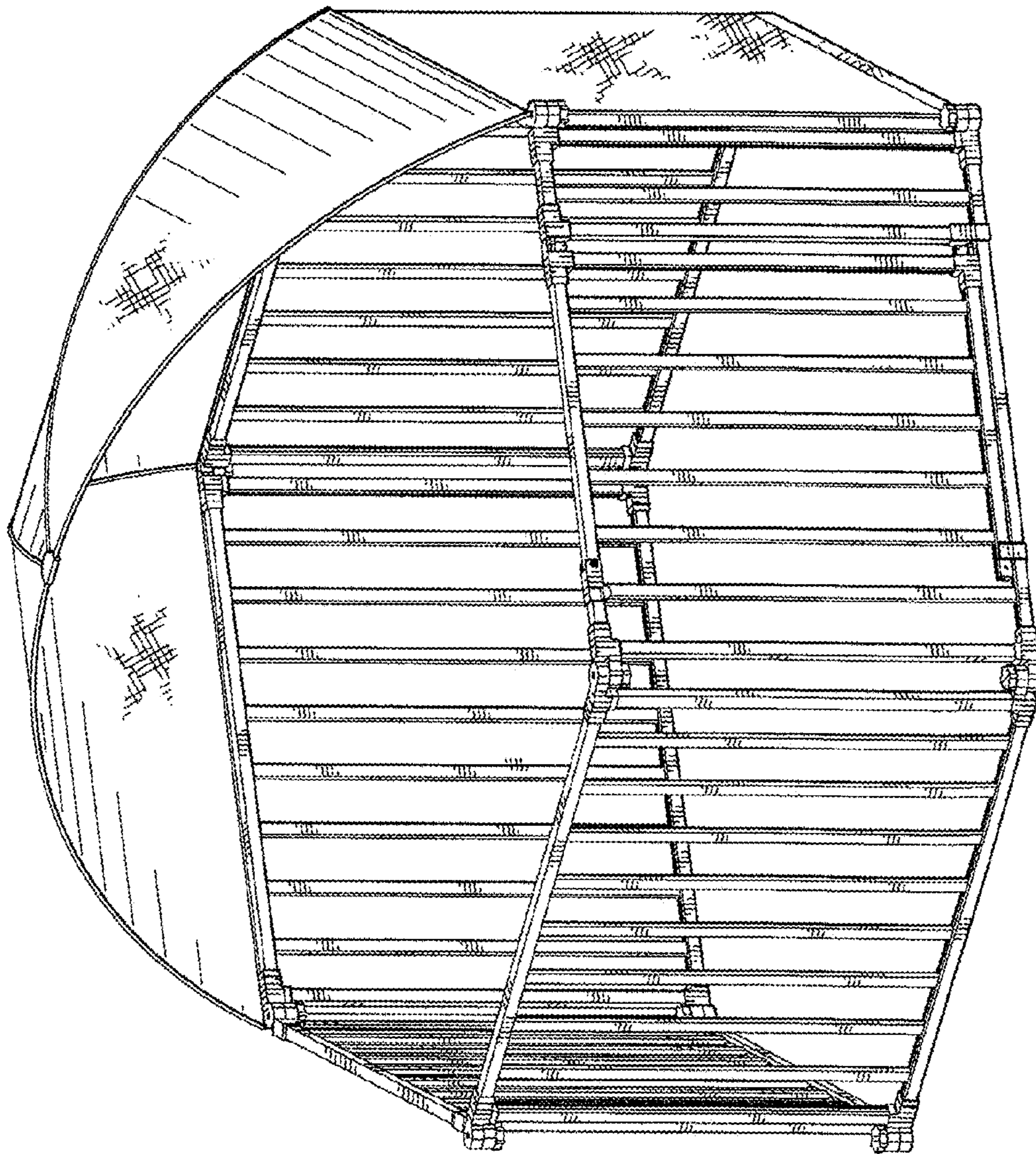


Fig. 1

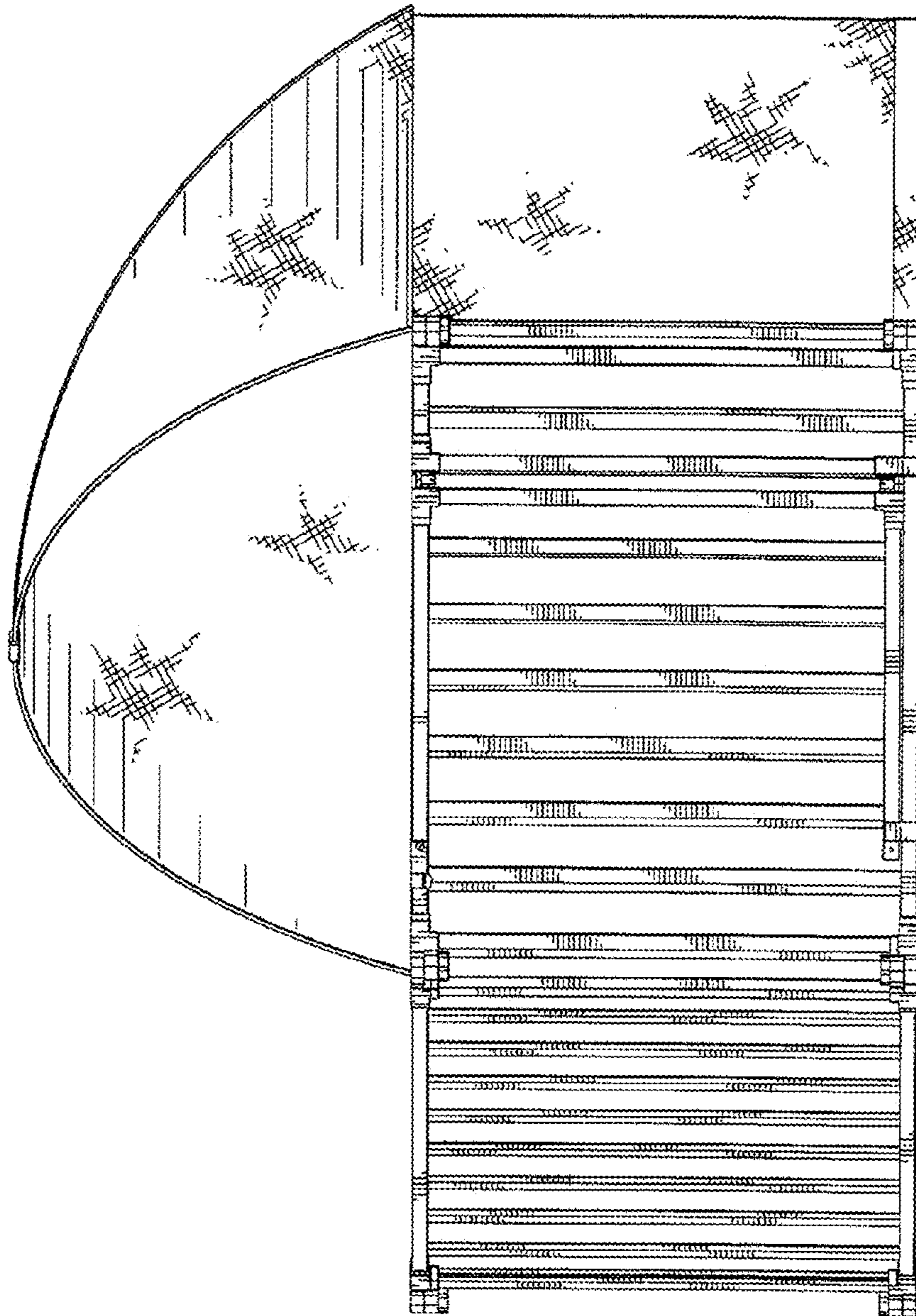


Fig. 2

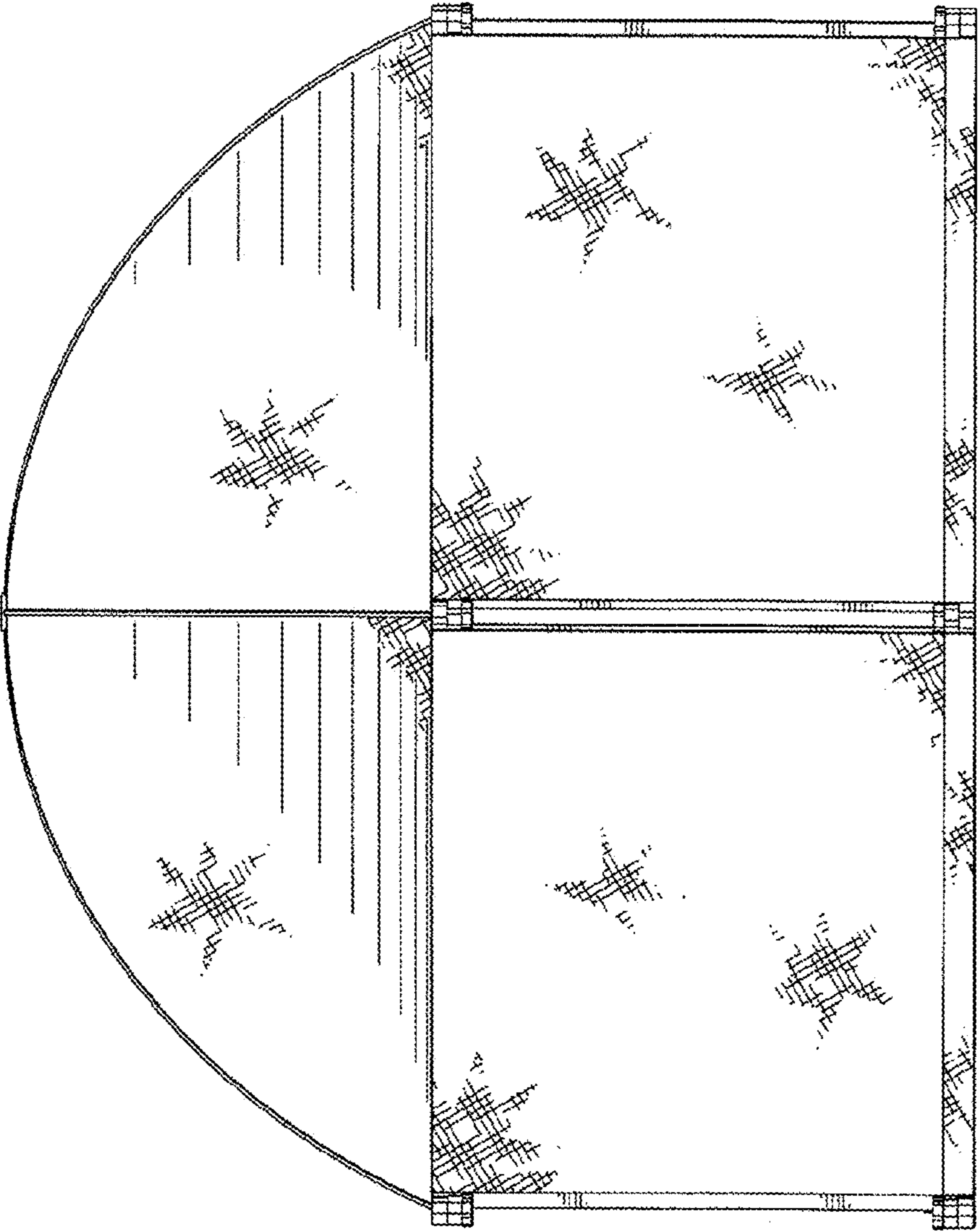


Fig. 3

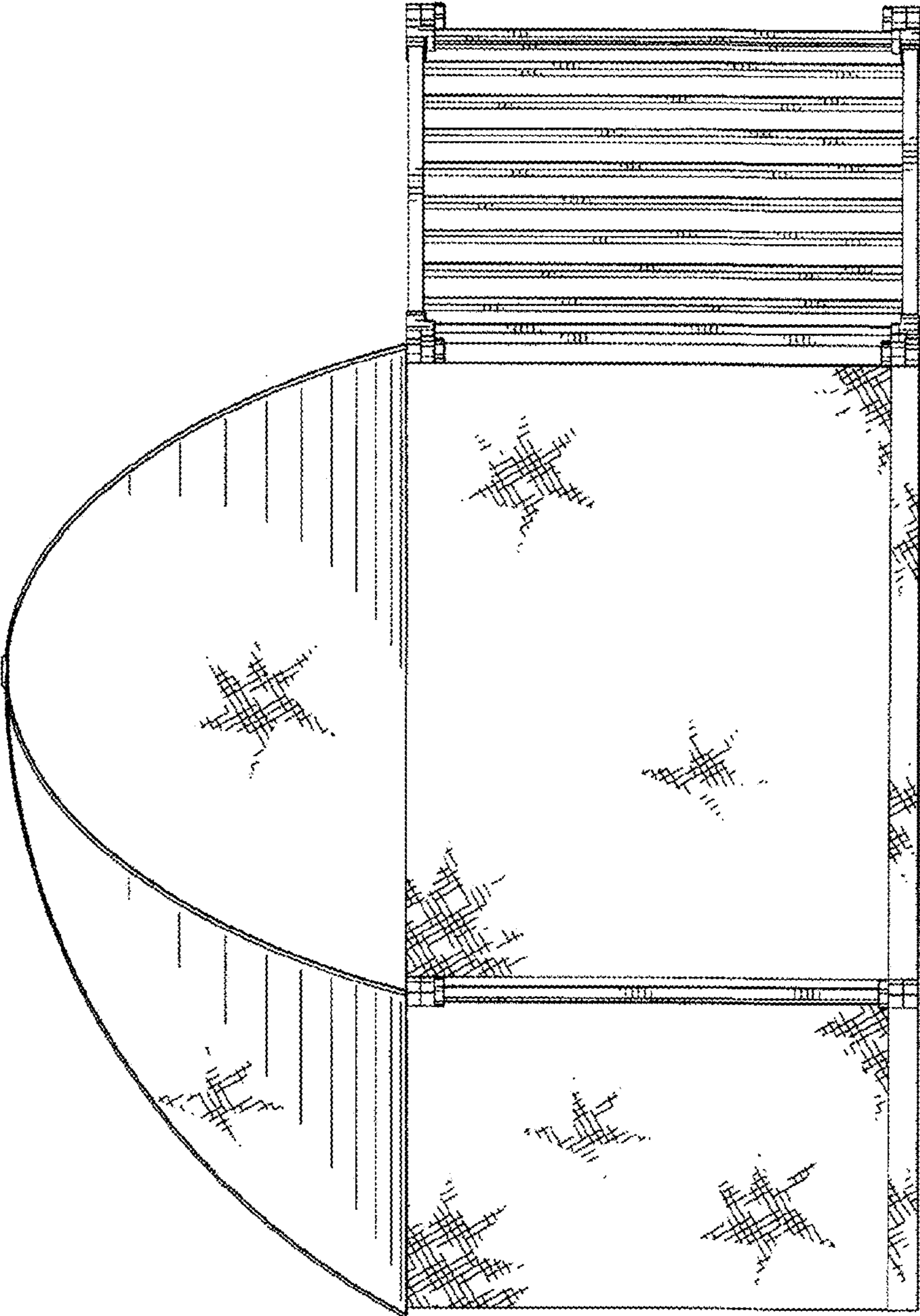


Fig. 4

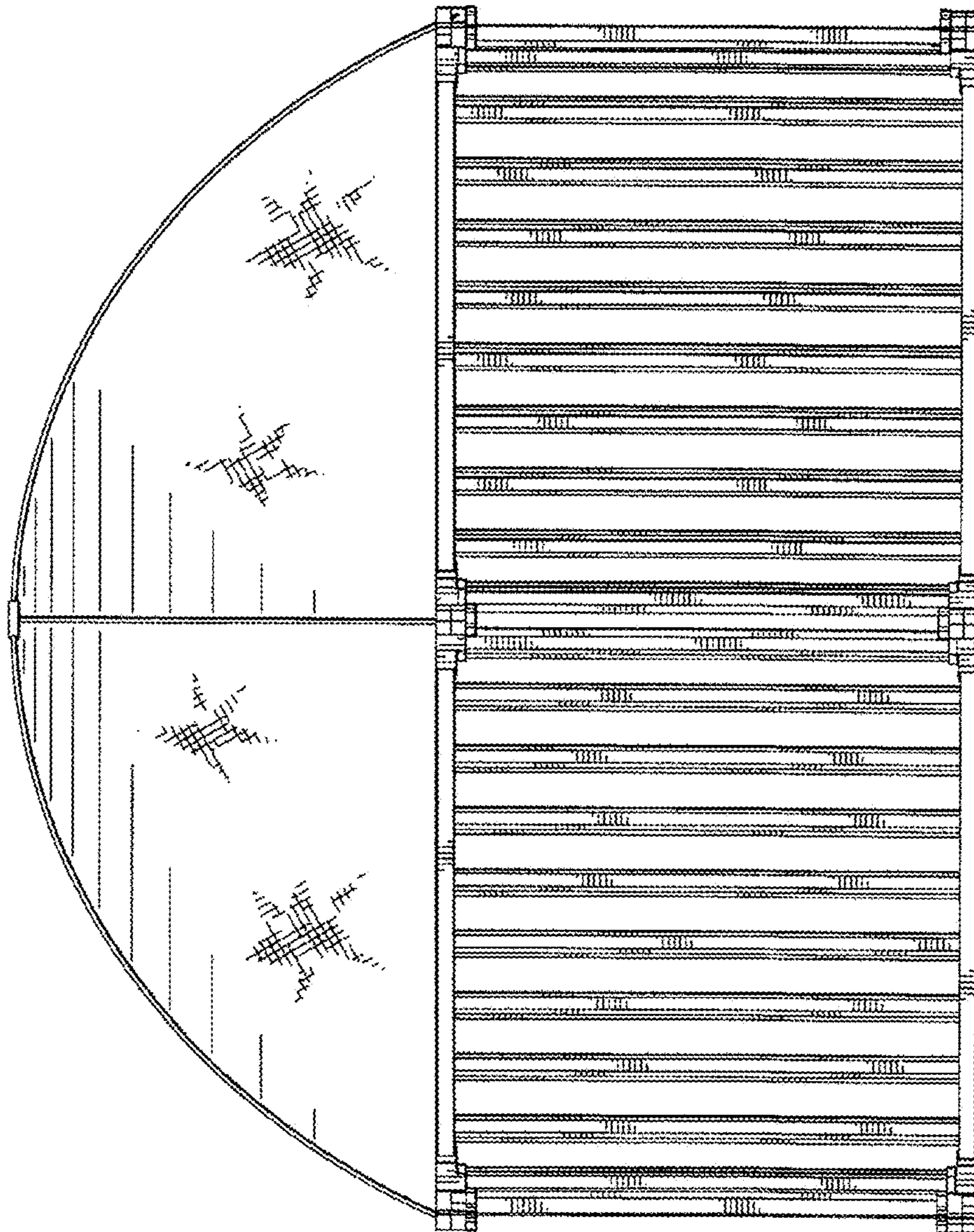


Fig. 5

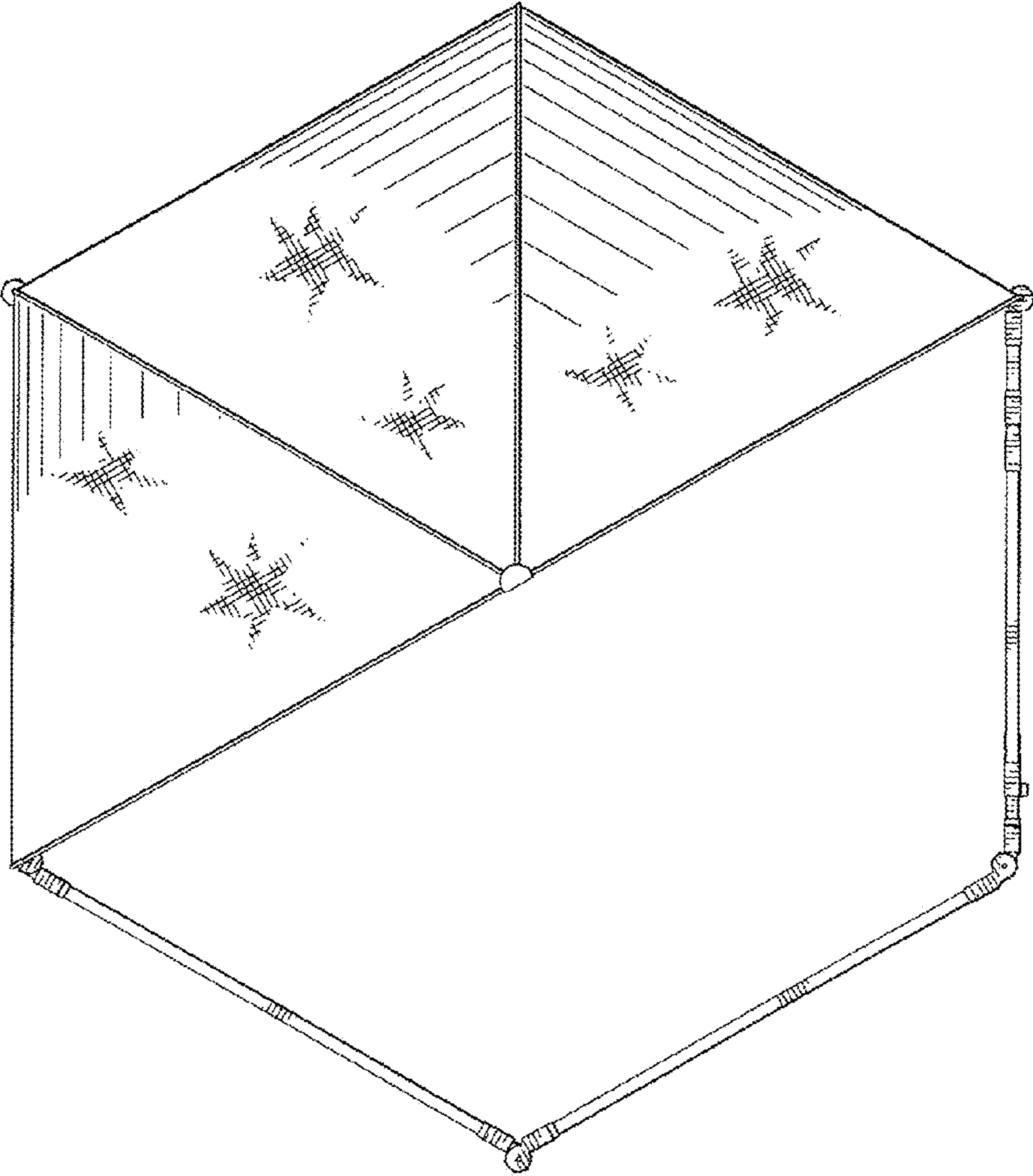


Fig. 6

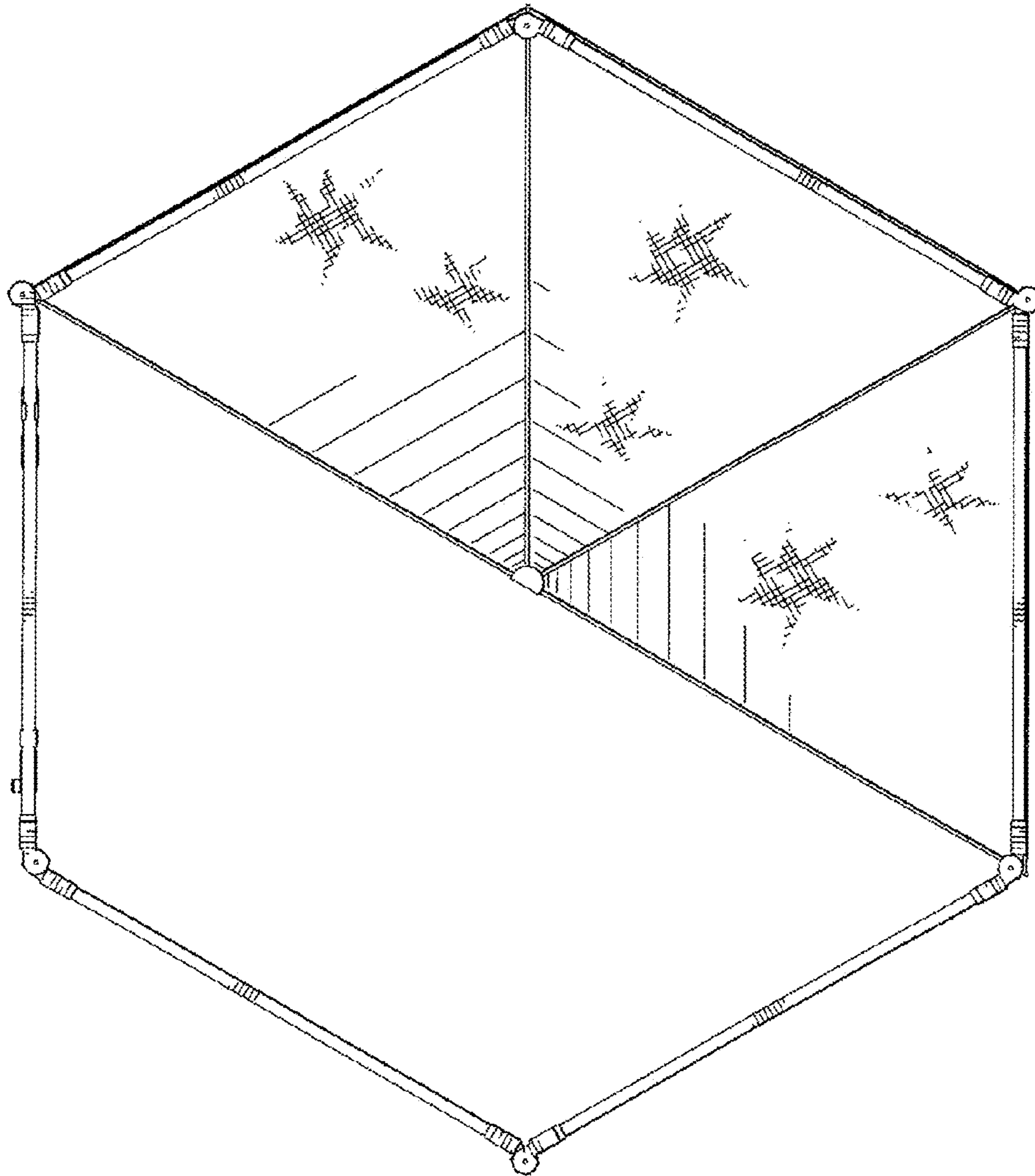


Fig. 7

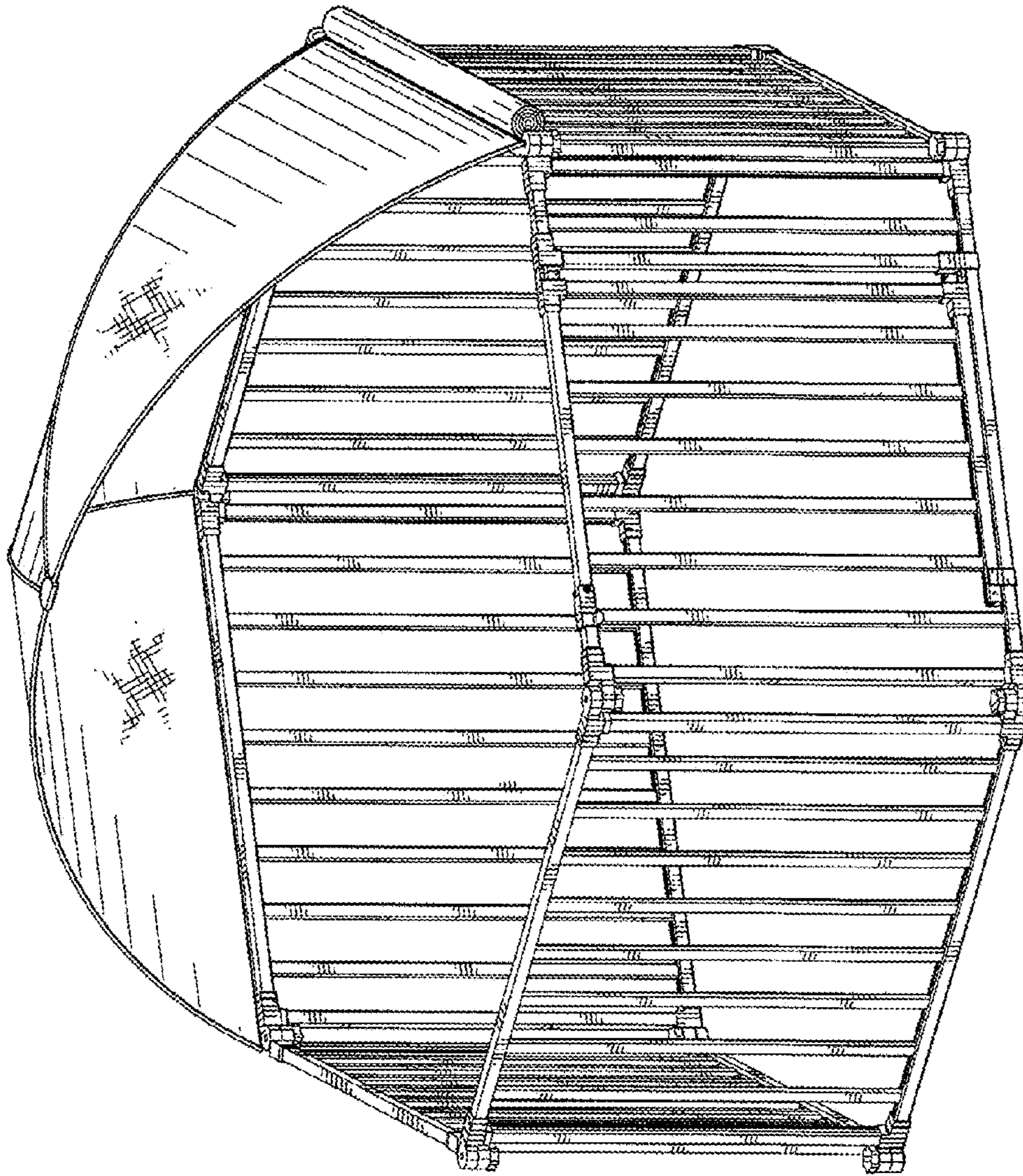


Fig. 8