



US00D696421S

(12) **United States Design Patent**
Ishida et al.

(10) **Patent No.:** **US D696,421 S**

(45) **Date of Patent:** **** Dec. 24, 2013**

(54) **WIND CONTROL COVER FOR ELEVATOR**

(56) **References Cited**

(71) Applicant: **Mitsubishi Electric Corporation**,
Tokyo (JP)

(72) Inventors: **Takashi Ishida**, Inazawa (JP); **Toshiya Suzuki**, Tokyo (JP); **Masaji Iida**, Tokyo (JP); **Masahiro Kondo**, Inazawa (JP)

(73) Assignee: **Mitsubishi Electric Corporation**,
Tokyo (JP)

U.S. PATENT DOCUMENTS

3,899,043 A	8/1975	Hall	
D252,198 S	6/1979	Hesford	
D253,100 S	10/1979	Hesford	
D404,835 S	1/1999	Stute	
D435,116 S	12/2000	Stute	
D471,989 S	3/2003	Van Gilst	
D687,570 S *	8/2013	Ishida et al. D25/37
2006/0175136 A1	8/2006	Adifon et al.	
2007/0170001 A1	7/2007	Matsushita et al.	

(**) Term: **14 Years**

(21) Appl. No.: **29/461,984**

(22) Filed: **Jul. 30, 2013**

* cited by examiner

Primary Examiner — Eric Goodman
(74) *Attorney, Agent, or Firm* — Sughrue Mion, PLLC

(57) **CLAIM**

The ornamental design for a wind control cover for elevator, as shown and described.

Related U.S. Application Data

(62) Division of application No. 29/428,154, filed on Jul. 26, 2012.

DESCRIPTION

(30) **Foreign Application Priority Data**

Jan. 27, 2012 (JP) 2012-001566
Jan. 27, 2012 (JP) 2012-001567

(51) **LOC (9) Cl.** **25-03**

(52) **U.S. Cl.**
USPC **D25/37**

(58) **Field of Classification Search**
USPC D25/1-37; 187/205, 211, 226, 250;
52/79.1, 79.4, 79.5

See application file for complete search history.

FIG. 1 is a front, top and right side perspective view of a wind control cover for elevator, showing an embodiment of our design;
FIG. 2 is a front elevational view thereof;
FIG. 3 is a rear elevational view thereof;
FIG. 4 is a right side elevational view thereof;
FIG. 5 is a top plan view thereof;
FIG. 6 is a bottom plan view thereof;
FIG. 7 is a cross-sectional view thereof; taken along line 7-7 of FIG. 2; and,
FIG. 8 is a perspective view showing the state in use.
The broken line showing is included for the purpose of illustrating environment and forms no part of the claimed design.

1 Claim, 8 Drawing Sheets

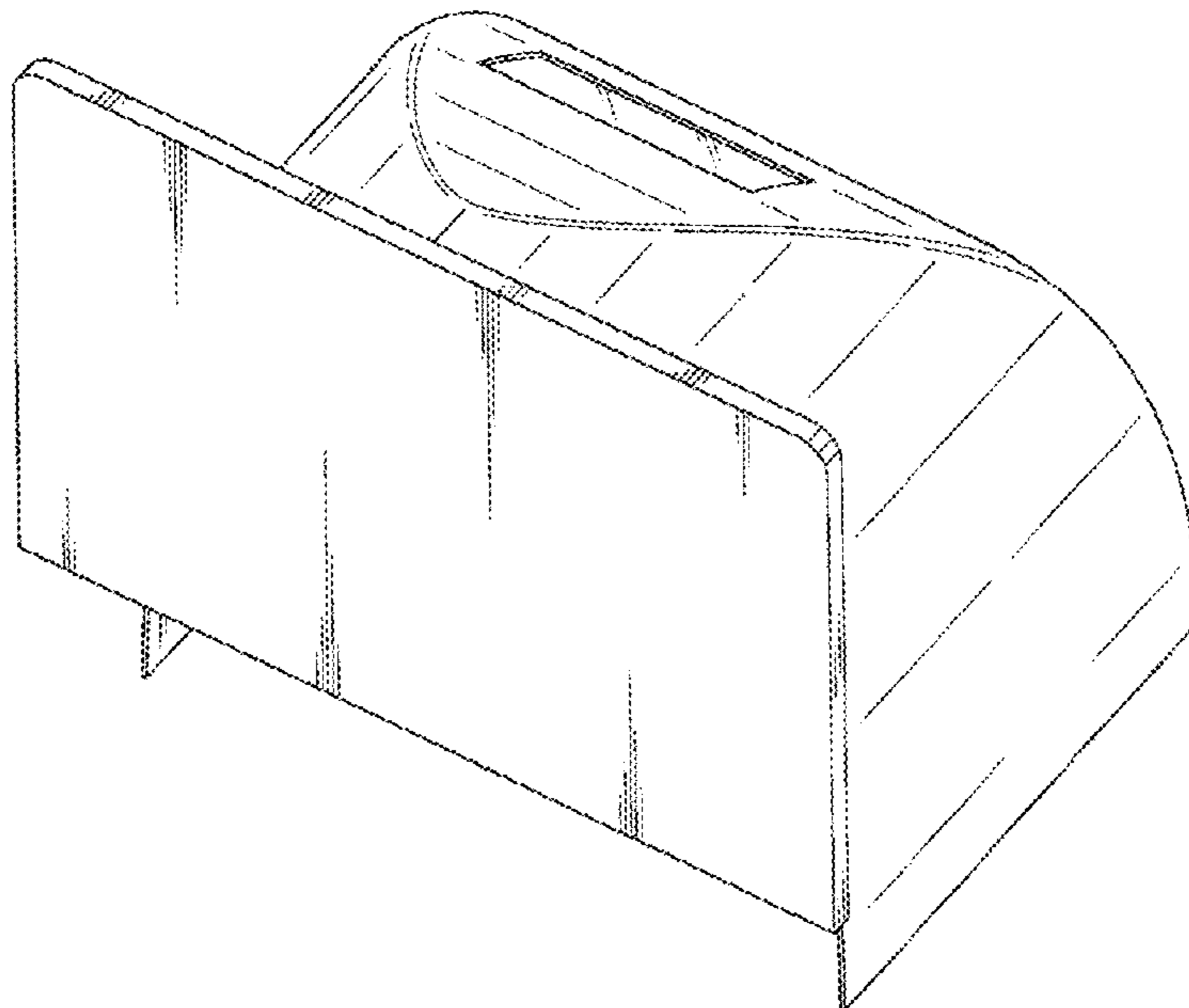


Fig. 1

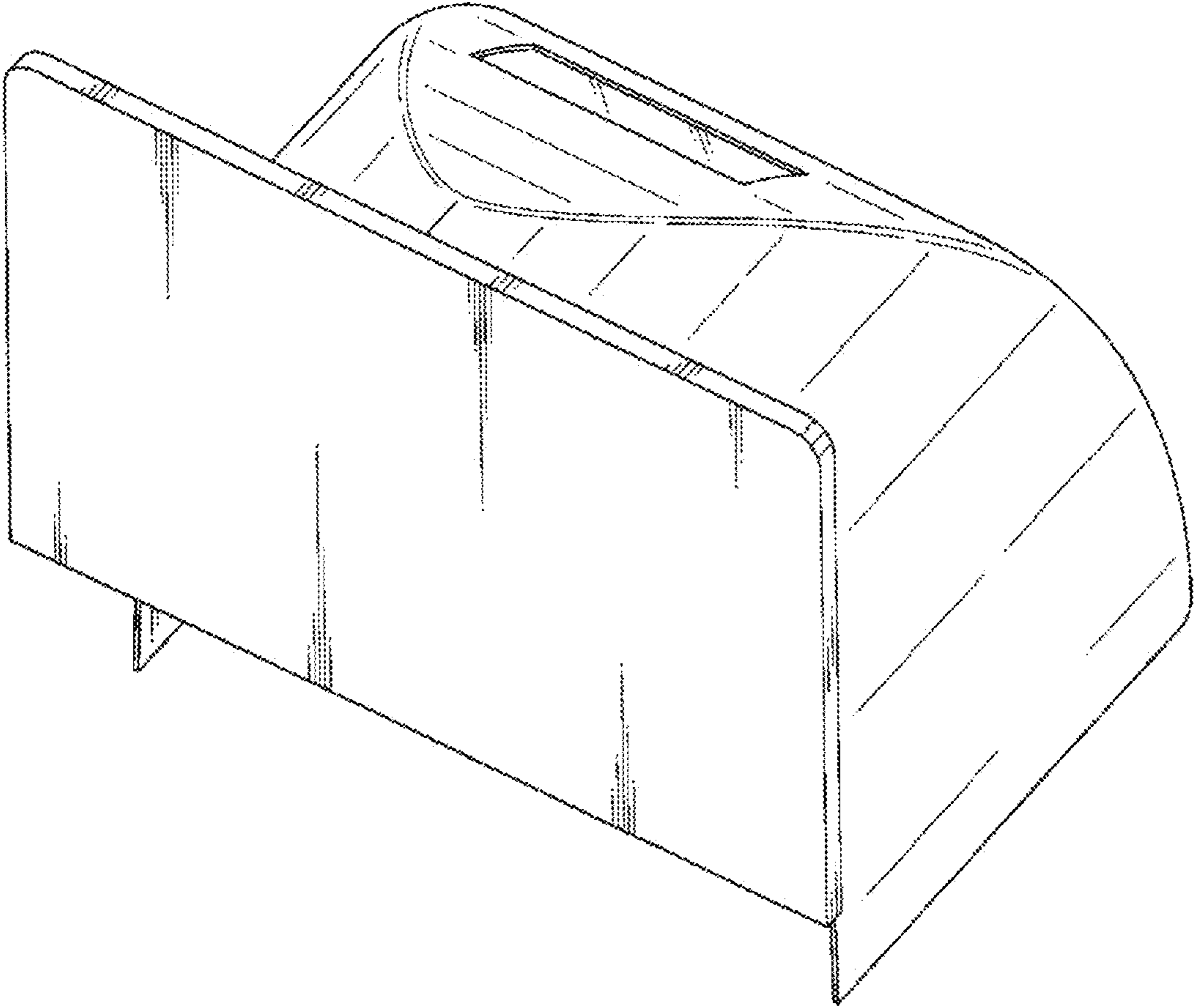


Fig. 2

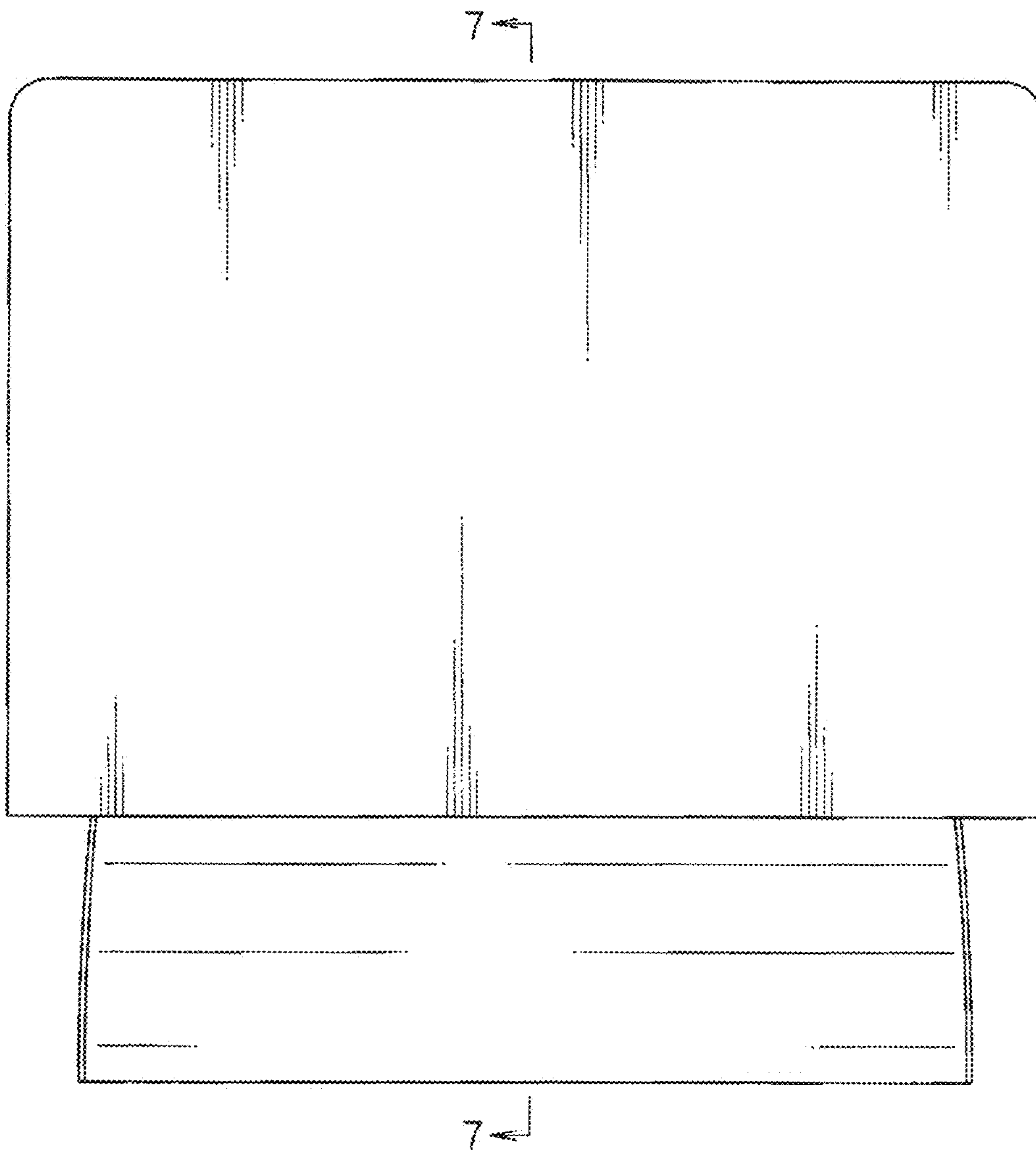


Fig. 3

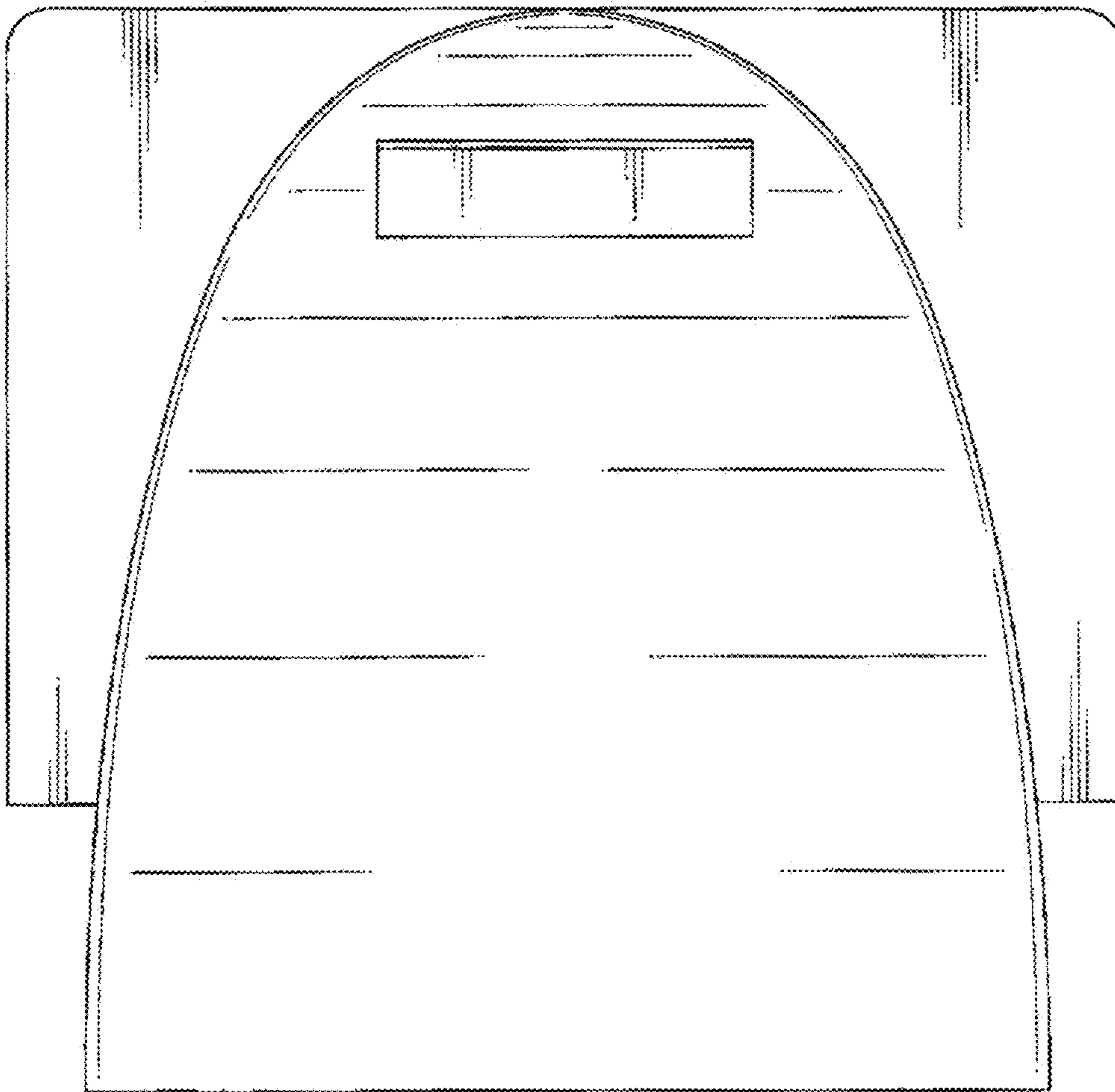


Fig. 4

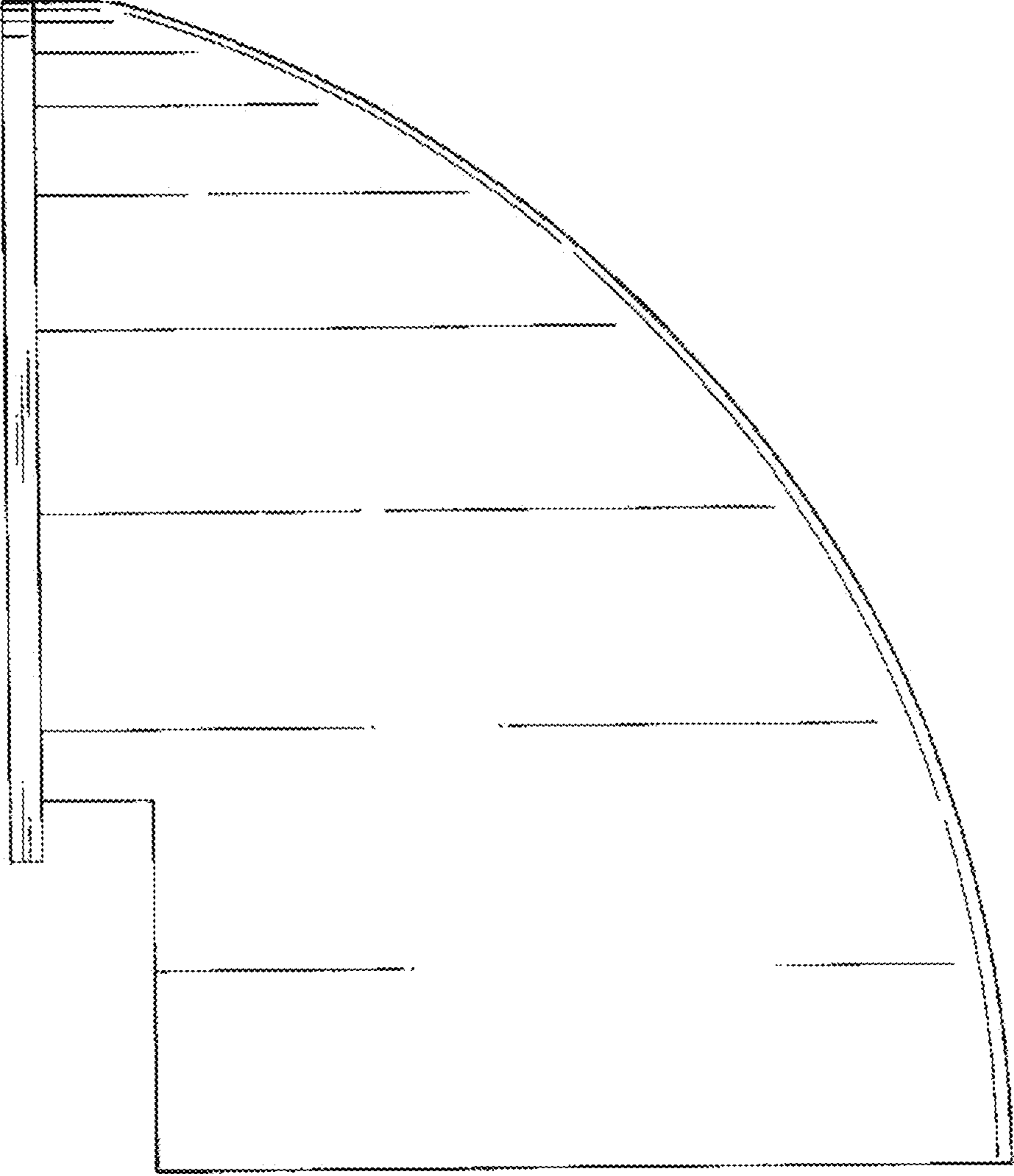


Fig. 5

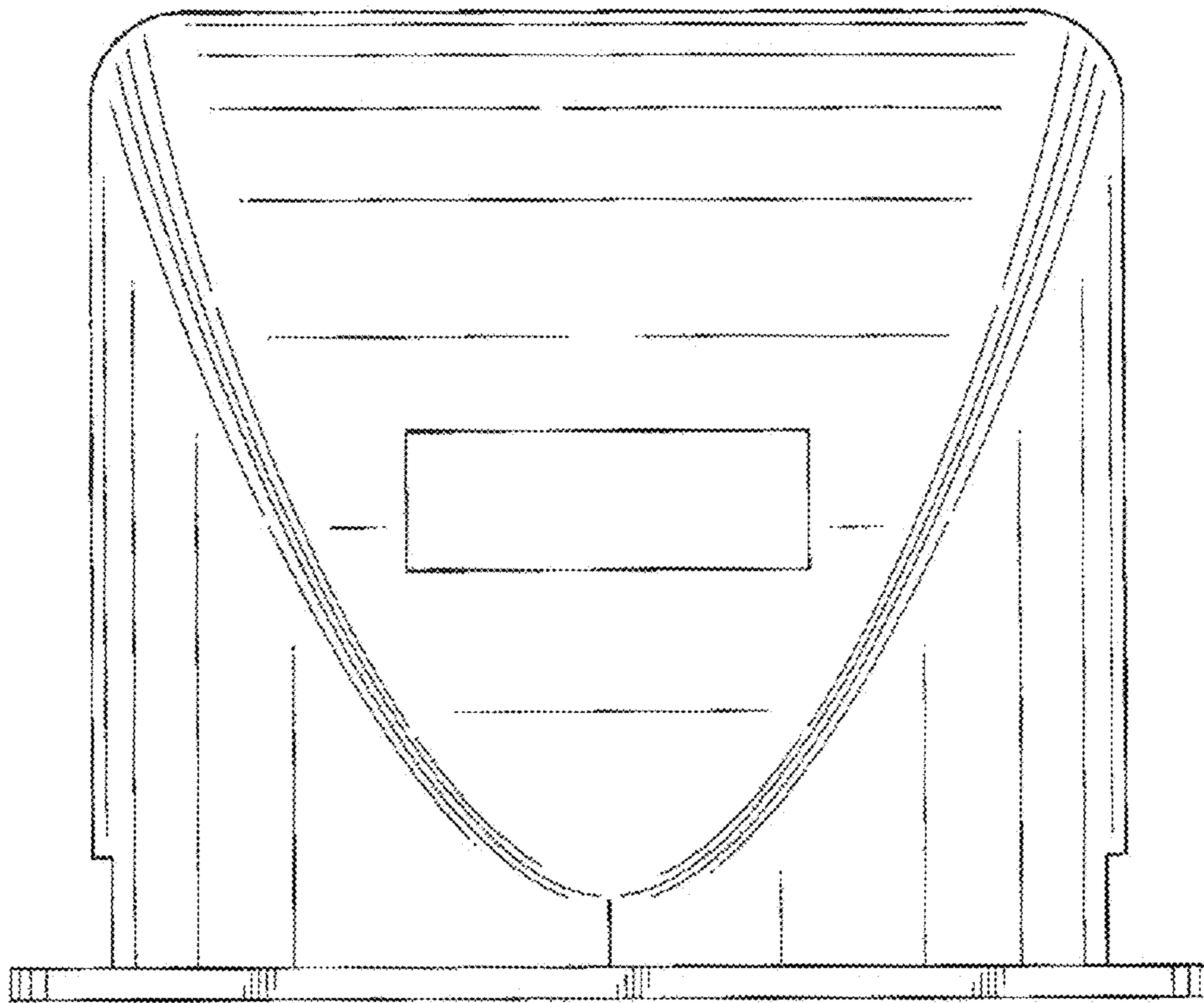


Fig. 6

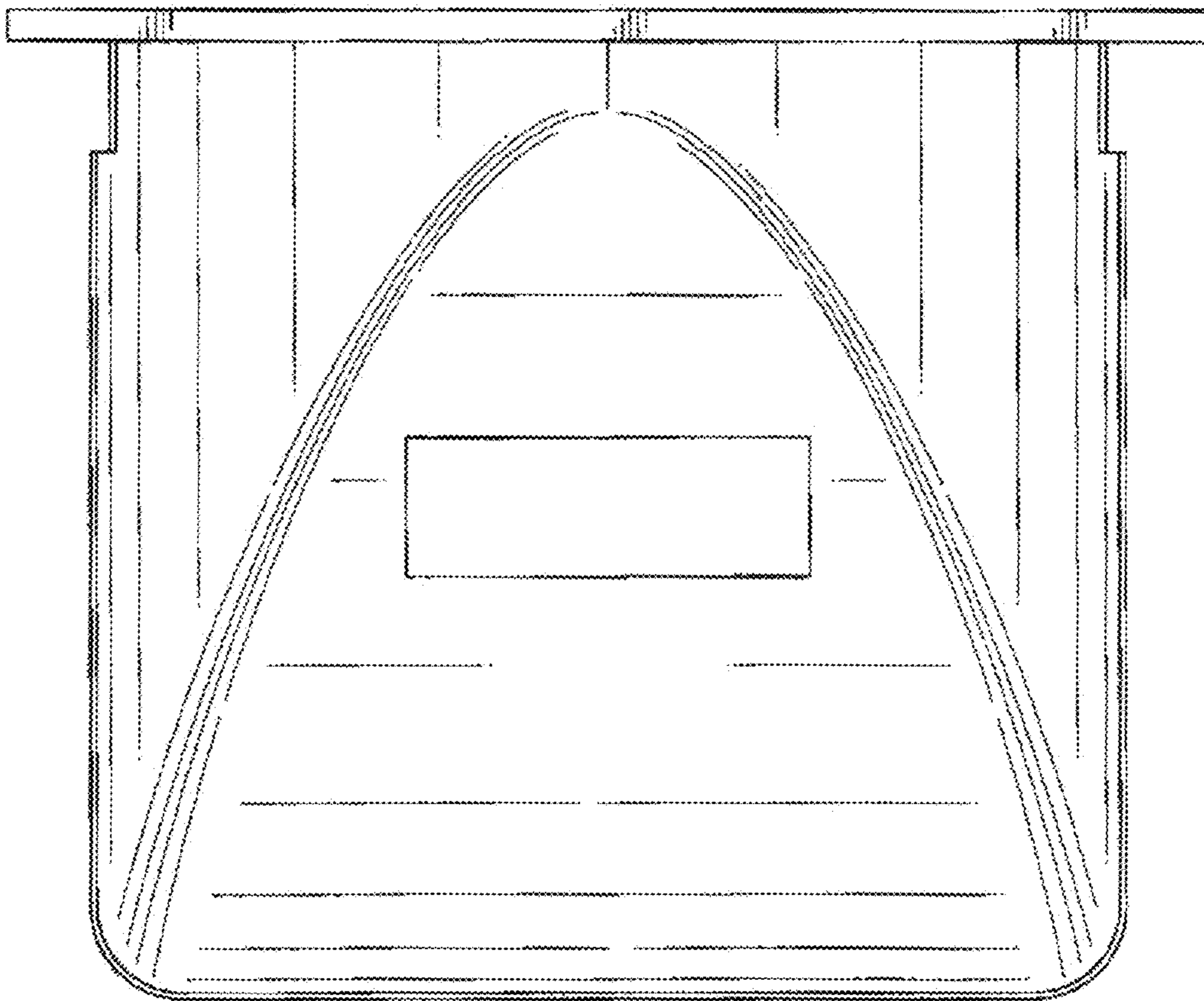


Fig. 7

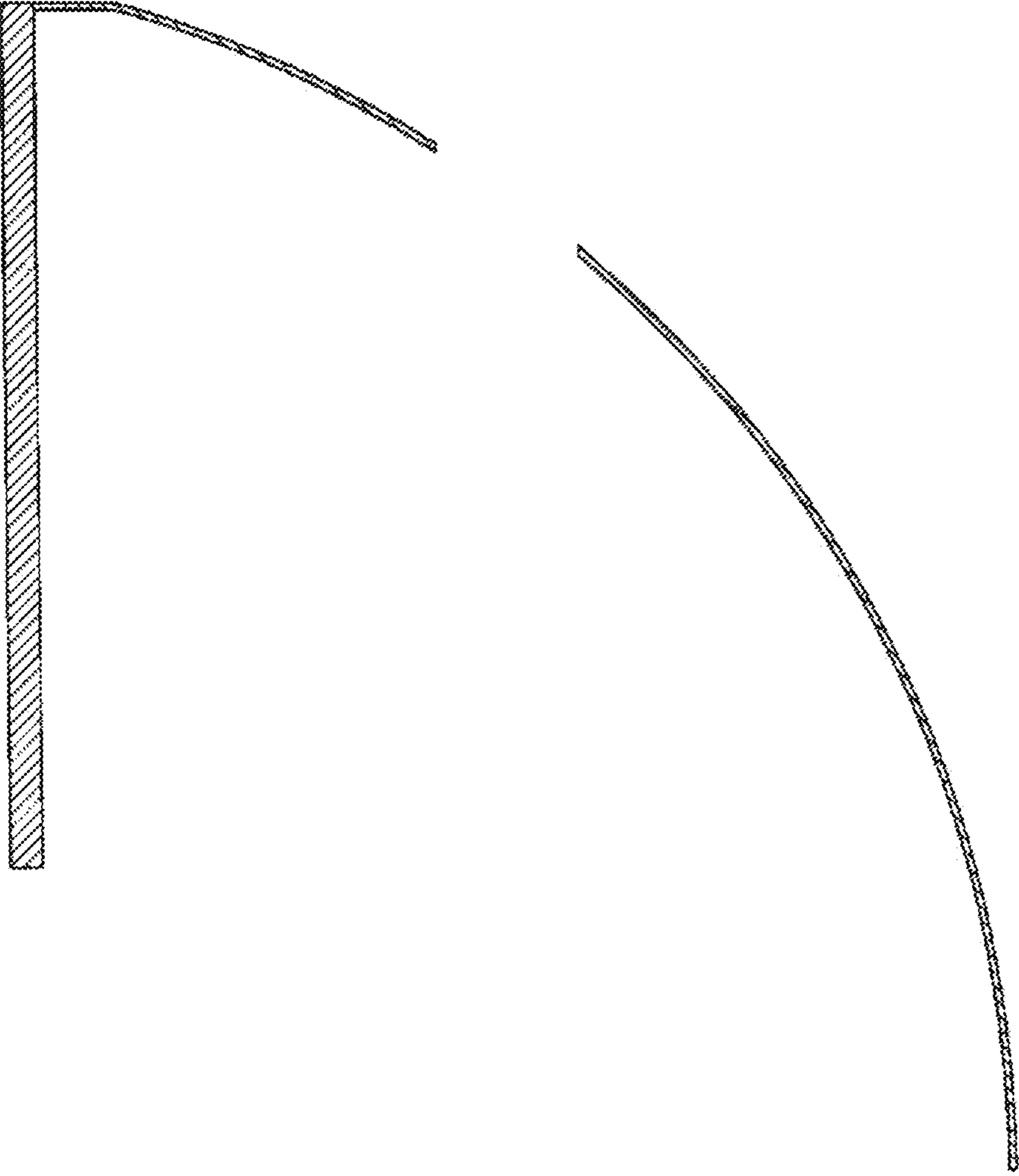


Fig. 8

