



US00D696419S

(12) **United States Design Patent**
Fusellier et al.

(10) **Patent No.:** **US D696,419 S**

(45) **Date of Patent:** **** Dec. 24, 2013**

(54) **REAGENT KIT INSERT**

(75) Inventors: **Andrew Fusellier**, Guernsey (GB);
Matthew William Barrell, Guernsey
(GB); **Adrian Bunce**, Worthing (GB)

(73) Assignee: **Dynex Technologies, Inc.**, Chantilly, VA
(US)

(**) Term: **14 Years**

(21) Appl. No.: **29/406,063**

(22) Filed: **Nov. 9, 2011**

(51) **LOC (9) Cl.** **24-02**

(52) **U.S. Cl.**
USPC **D24/230**

(58) **Field of Classification Search**
USPC D24/216, 224, 227–232, 223;
422/63–64, 99–104, 266, 297, 300;
211/74, 71.01, 85.13; 217/58; D3/294,
D3/295; 206/443, 563

See application file for complete search history.

(56) **References Cited**

U.S. PATENT DOCUMENTS

D285,118 S *	8/1986	Huang	D24/226
D411,014 S *	6/1999	Berger et al.	D24/224
D413,391 S *	8/1999	Lapeus et al.	D24/227
D413,677 S *	9/1999	Dumitrescu et al.	D24/229
D420,747 S *	2/2000	Dumitrescu et al.	D24/227
D421,130 S *	2/2000	Cohen et al.	D24/230
D428,497 S *	7/2000	Lapeus et al.	D24/227
D433,759 S *	11/2000	Mathis et al.	D24/227
D438,632 S *	3/2001	Miller	D24/216
D484,989 S *	1/2004	Gebrian	D24/230
D501,679 S *	2/2005	Smith	D24/227

D514,705 S *	2/2006	Bublewitz et al.	D24/224
D534,280 S *	12/2006	Gomm et al.	D24/224
D546,966 S *	7/2007	Kajiyama et al.	D24/224
D560,817 S *	1/2008	Qian et al.	D24/229
D596,312 S *	7/2009	Giraud et al.	D24/230
D598,566 S *	8/2009	Allaer	D24/230
D618,820 S *	6/2010	Wilson et al.	D24/227
D620,603 S *	7/2010	Talmer et al.	D24/224
D624,194 S *	9/2010	Pack et al.	D24/224
D637,737 S *	5/2011	Wilson et al.	D24/230
D657,473 S *	4/2012	Miyashita et al.	D24/224
D665,095 S *	8/2012	Wilson et al.	D24/227
D669,597 S *	10/2012	Cavada et al.	D24/216
D674,507 S *	1/2013	Suzuki et al.	D24/229
D675,338 S *	1/2013	Suzuki et al.	D24/229

* cited by examiner

Primary Examiner — T. Chase Nelson

Assistant Examiner — Mark Cavanna

(74) *Attorney, Agent, or Firm* — Diederiks & Whitelaw, PLC

(57) **CLAIM**

The ornamental design for a reagent kit insert, as shown and described.

DESCRIPTION

FIG. 1 is a front perspective view of a reagent kit insert showing our new design;

FIG. 2 is a rear perspective;

FIG. 3 is a top plan view thereof;

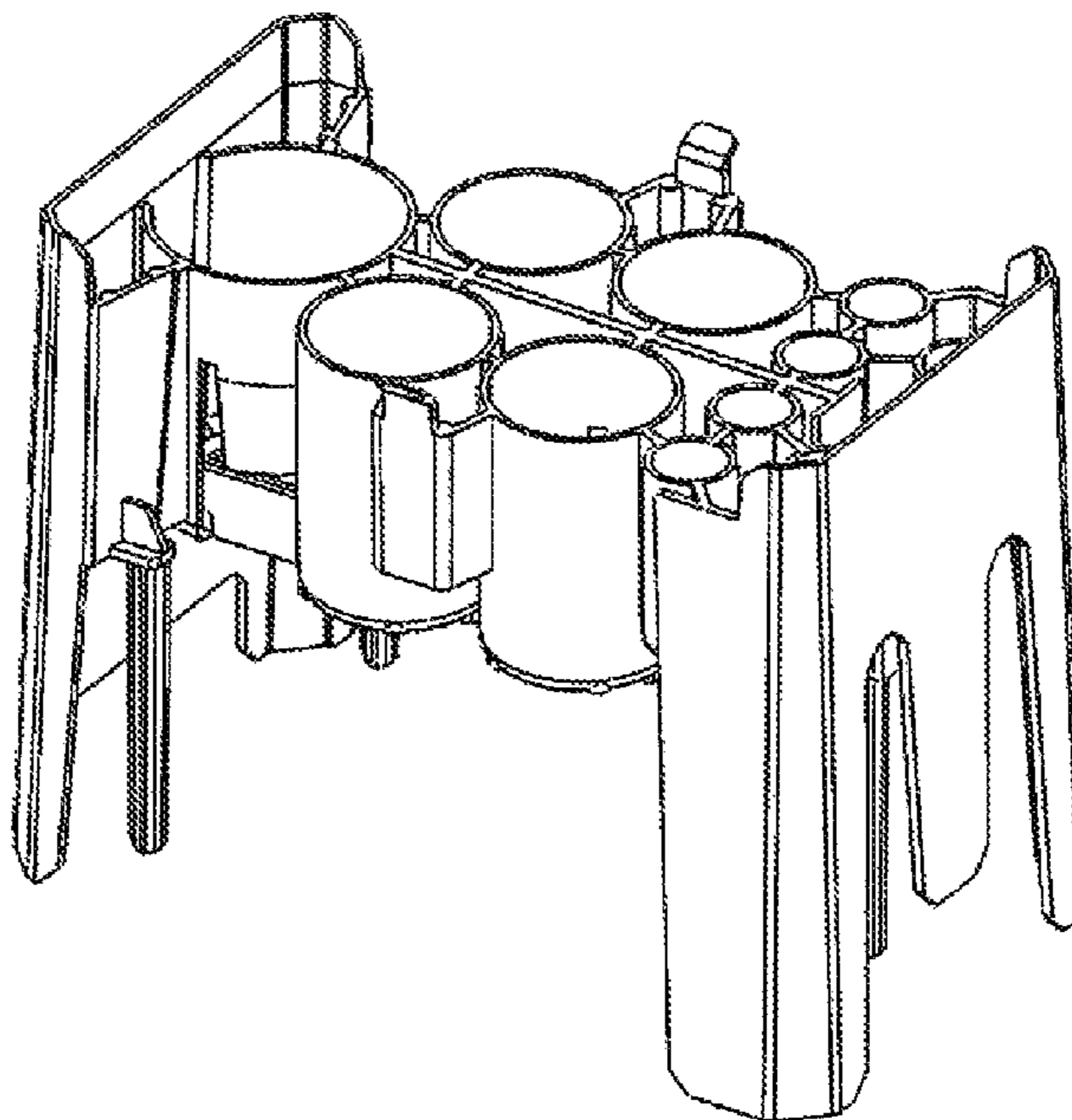
FIG. 4 is a right side elevational thereof;

FIG. 5 is a front elevational view thereof; and

FIG. 6 is bottom plan view thereof.

The broken lines are included for the purpose of illustrating portions of the reagent kit insert that form no part of the claimed design.

1 Claim, 6 Drawing Sheets



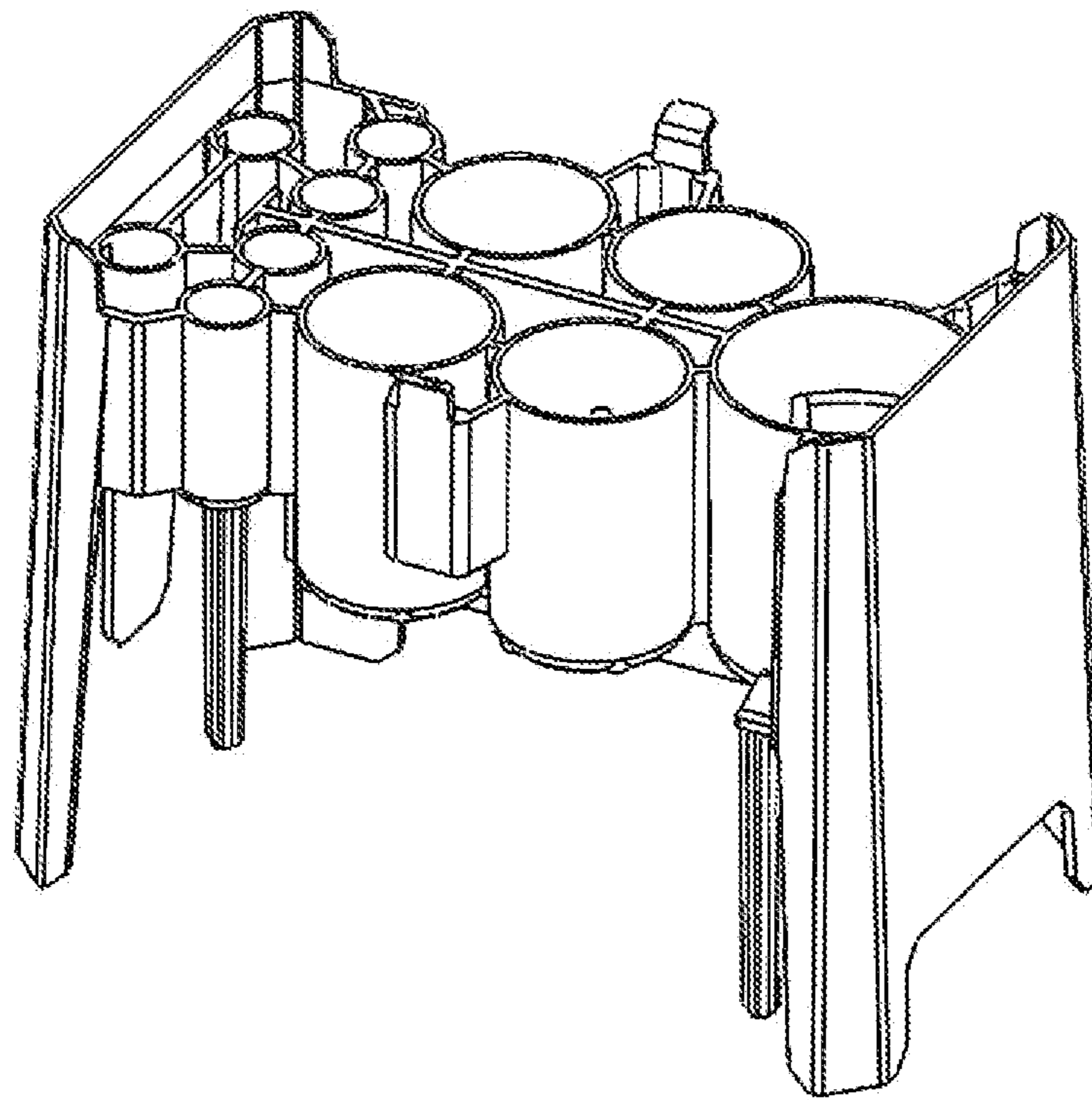


FIGURE 1

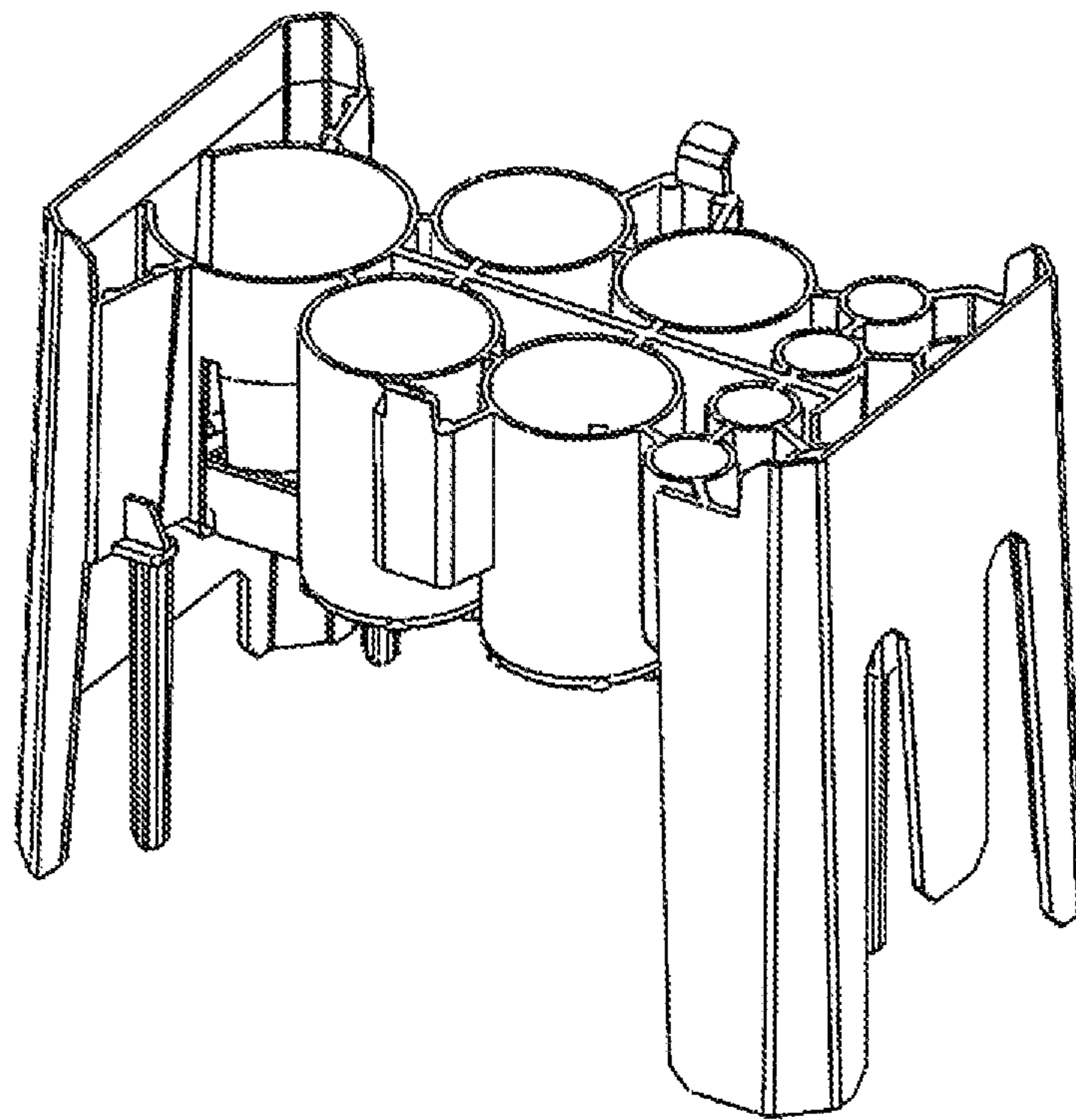


FIGURE 2

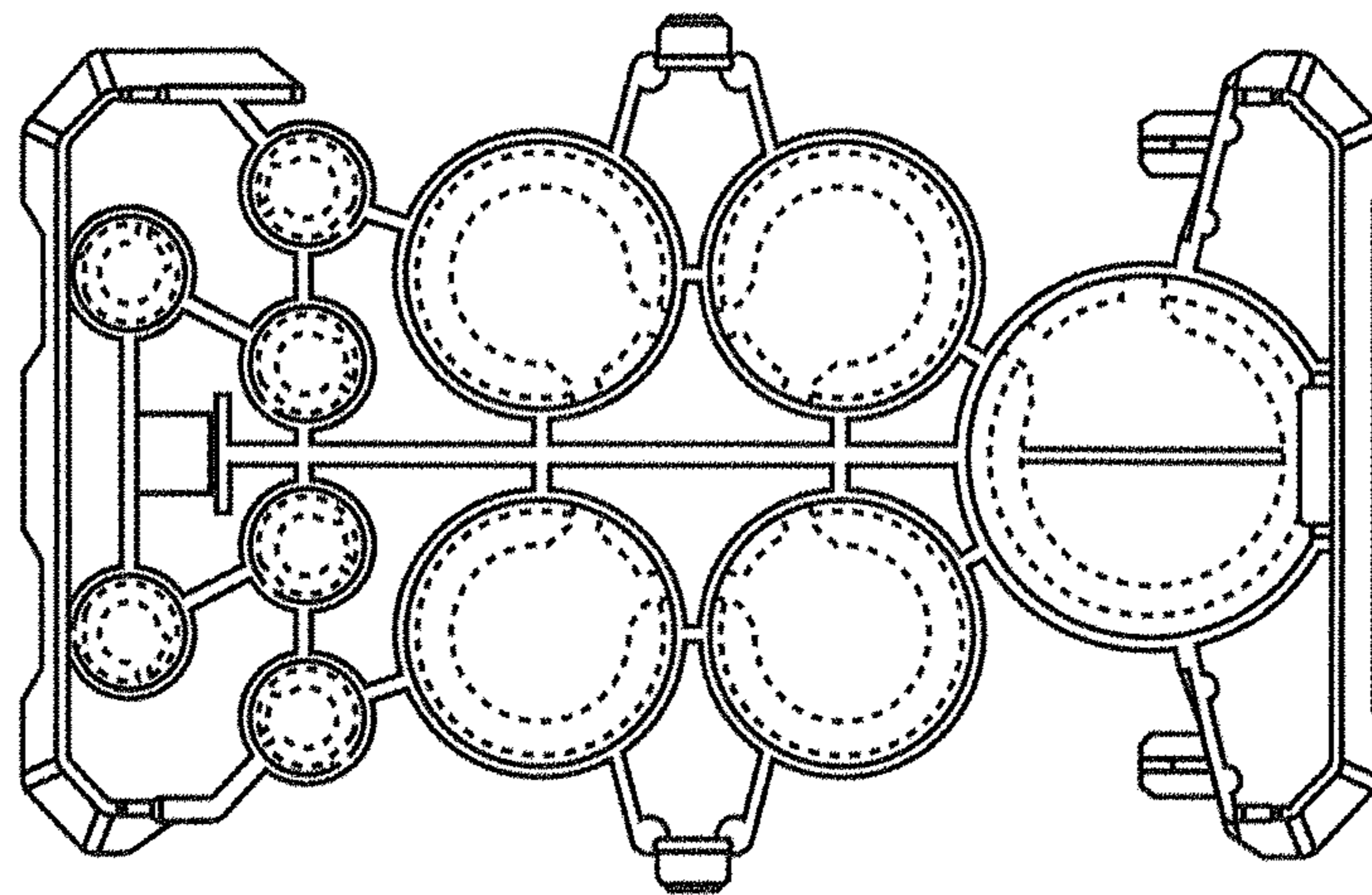


FIGURE 3

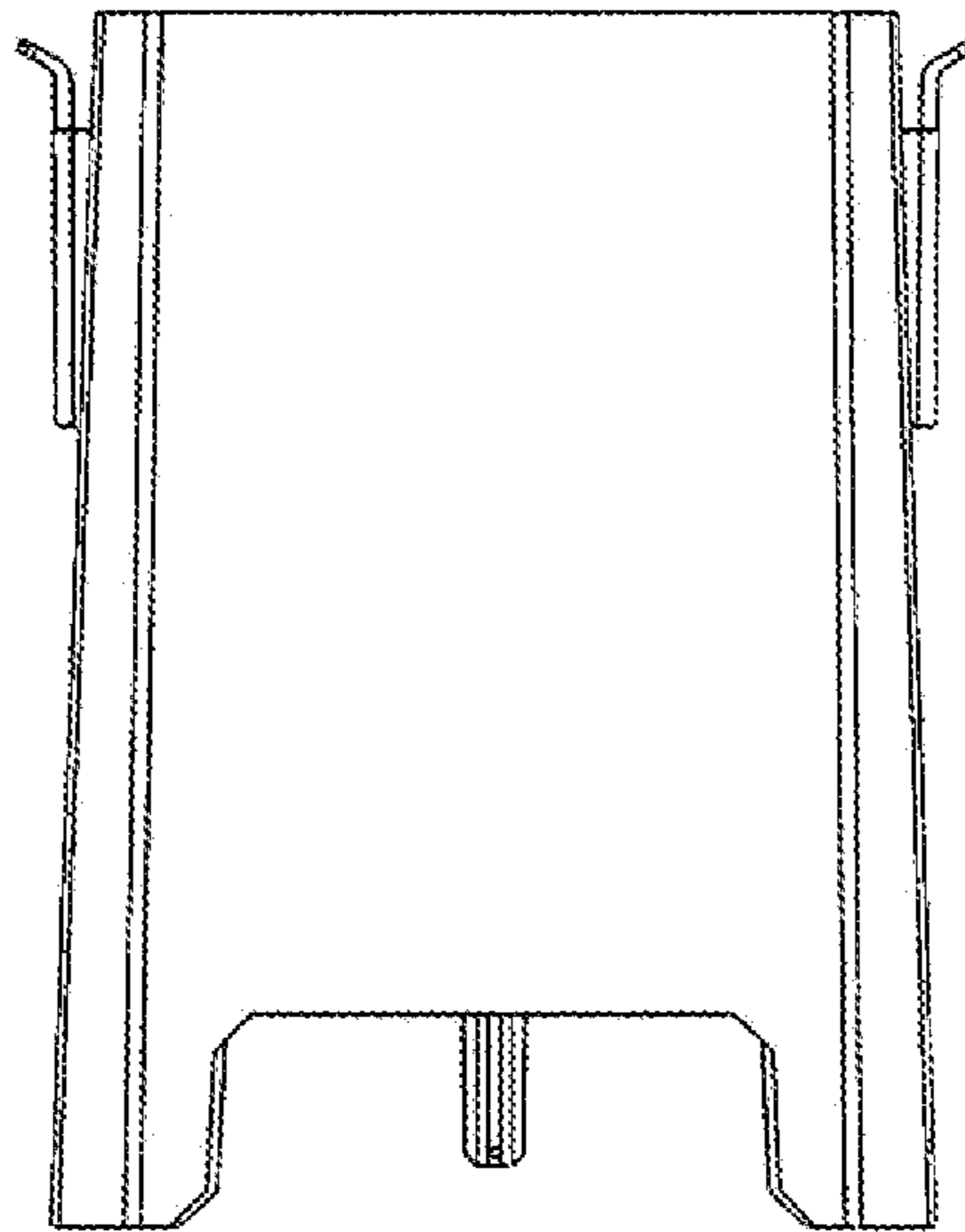


FIGURE 4

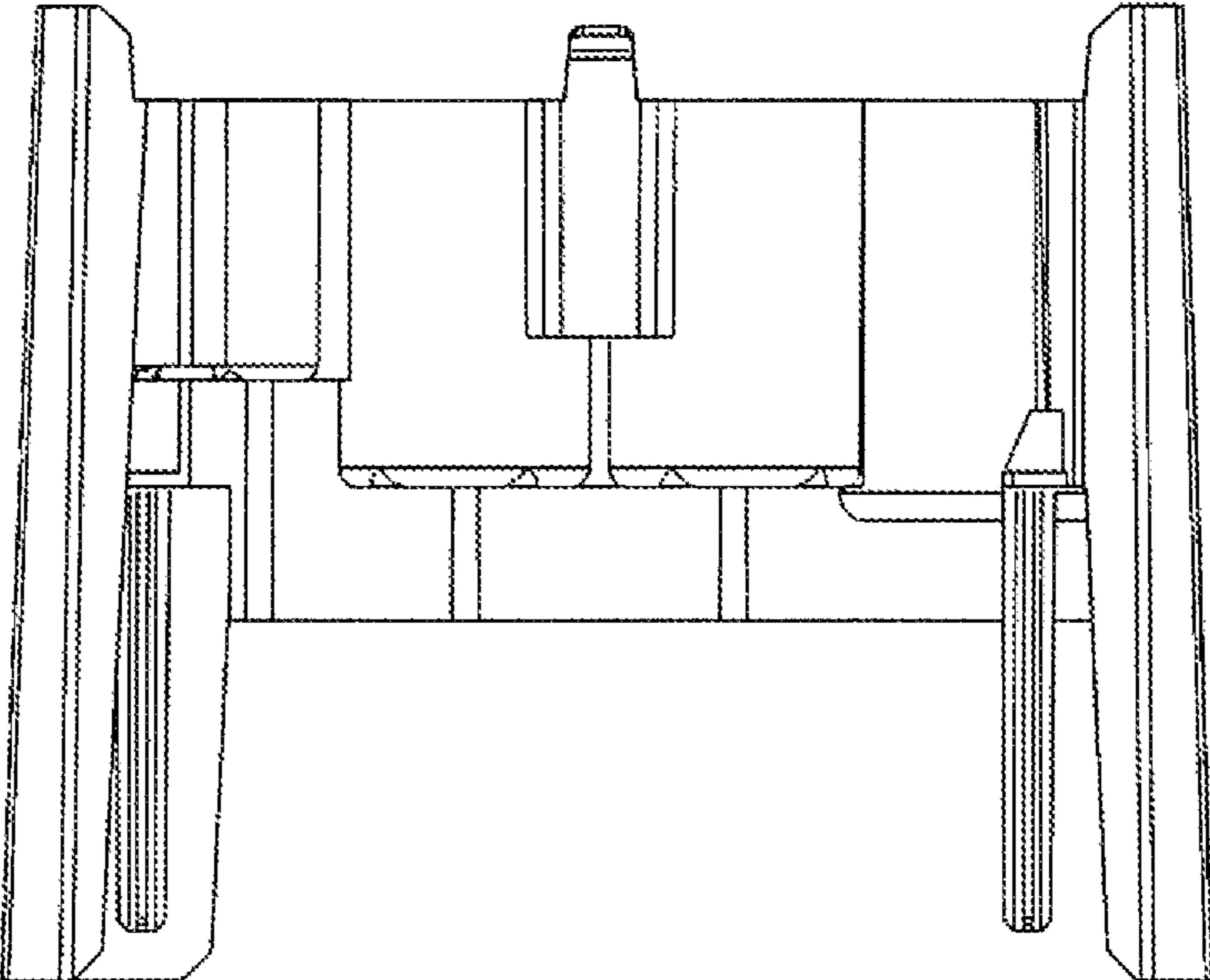


FIGURE 5

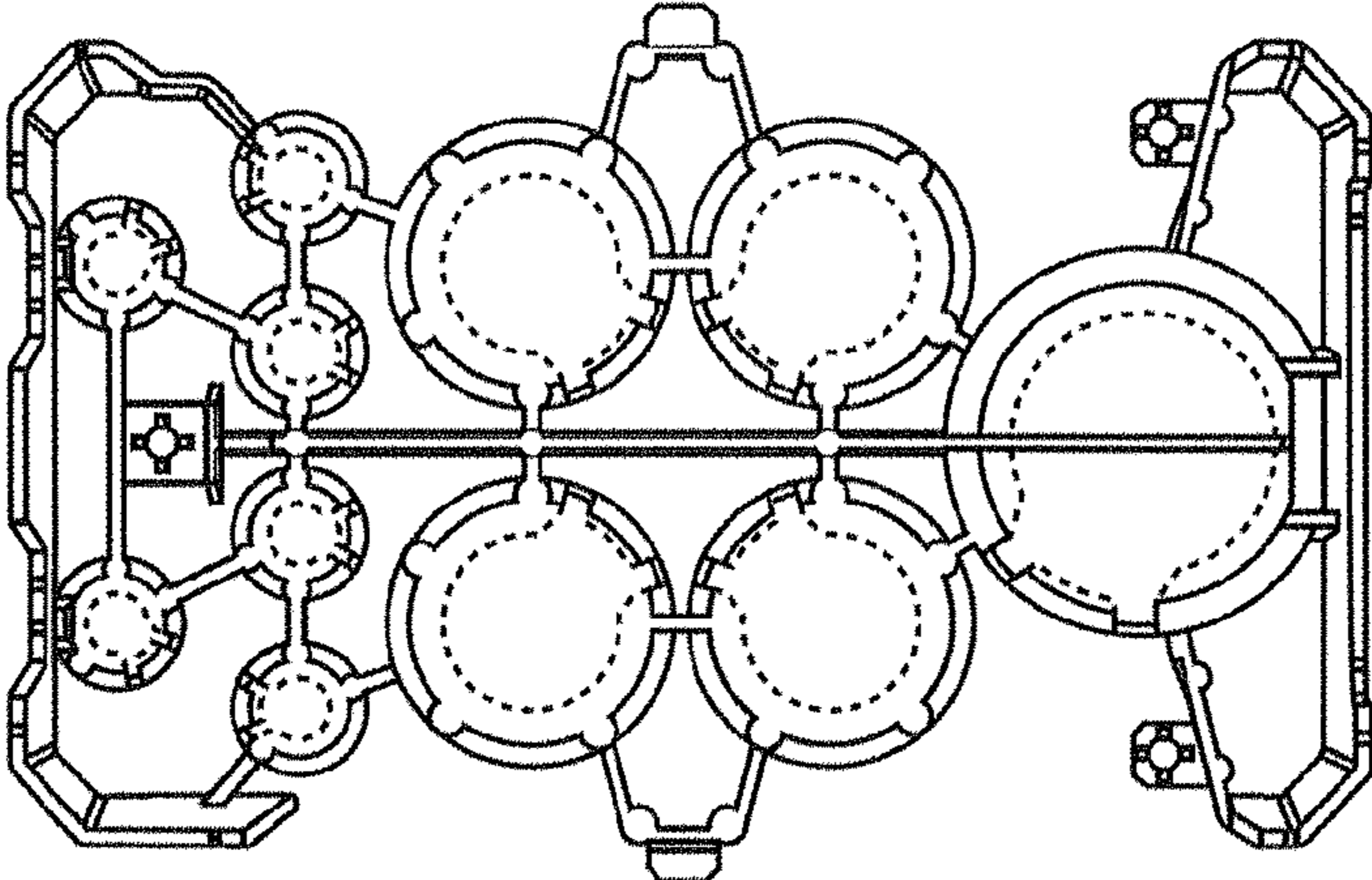


FIGURE 6