



US00D696418S

(12) **United States Design Patent**
Duquet

(10) **Patent No.:** **US D696,418 S**

(45) **Date of Patent:** **** Dec. 24, 2013**

(54) **FLUID DISPENSER**

(71) Applicant: **Aptar France SAS**, Le Neubourg (FR)

(72) Inventor: **Frederic Duquet**, Crespieres (FR)

(73) Assignee: **Aptar France SAS**, Le Neubourg (FR)

(**) Term: **14 Years**

(21) Appl. No.: **29/439,157**

(22) Filed: **Dec. 7, 2012**

(30) **Foreign Application Priority Data**

Jun. 11, 2012 (EM) 002055673-0001

(51) **LOC (9) Cl.** **24-02**

(52) **U.S. Cl.**
USPC **D24/222**

(58) **Field of Classification Search**

USPC D24/216, 222-226, 231, 232, 186, 169,
D24/108, 112-115, 117, 121, 127, 130;
D10/81; 422/521, 501-503; 73/863.32,
73/864.01, 864.16, 864.17, 864.14,
73/864.21; 436/180; D9/504, 529, 545;
D28/76, 85, 88

See application file for complete search history.

(56) **References Cited**

U.S. PATENT DOCUMENTS

D357,324	S	*	4/1995	Bartal	D24/222
D375,256	S	*	11/1996	Chadfield	D9/724
D387,426	S	*	12/1997	Husar et al.	D24/112
D422,902	S	*	4/2000	Kikuchi	D9/689
D439,705	S	*	3/2001	Lerolle	D28/76
D521,385	S	*	5/2006	Priestman	D9/529
D526,205	S	*	8/2006	Priestman	D9/529
D527,269	S	*	8/2006	Priestman	D9/529
D565,797	S	*	4/2008	Maddy	D28/88
D574,731	S	*	8/2008	Py et al.	D9/723
D663,483	S	*	7/2012	Lee	D28/76

* cited by examiner

Primary Examiner — Anhdao Doan

(74) *Attorney, Agent, or Firm* — Sughrue Mion, PLLC

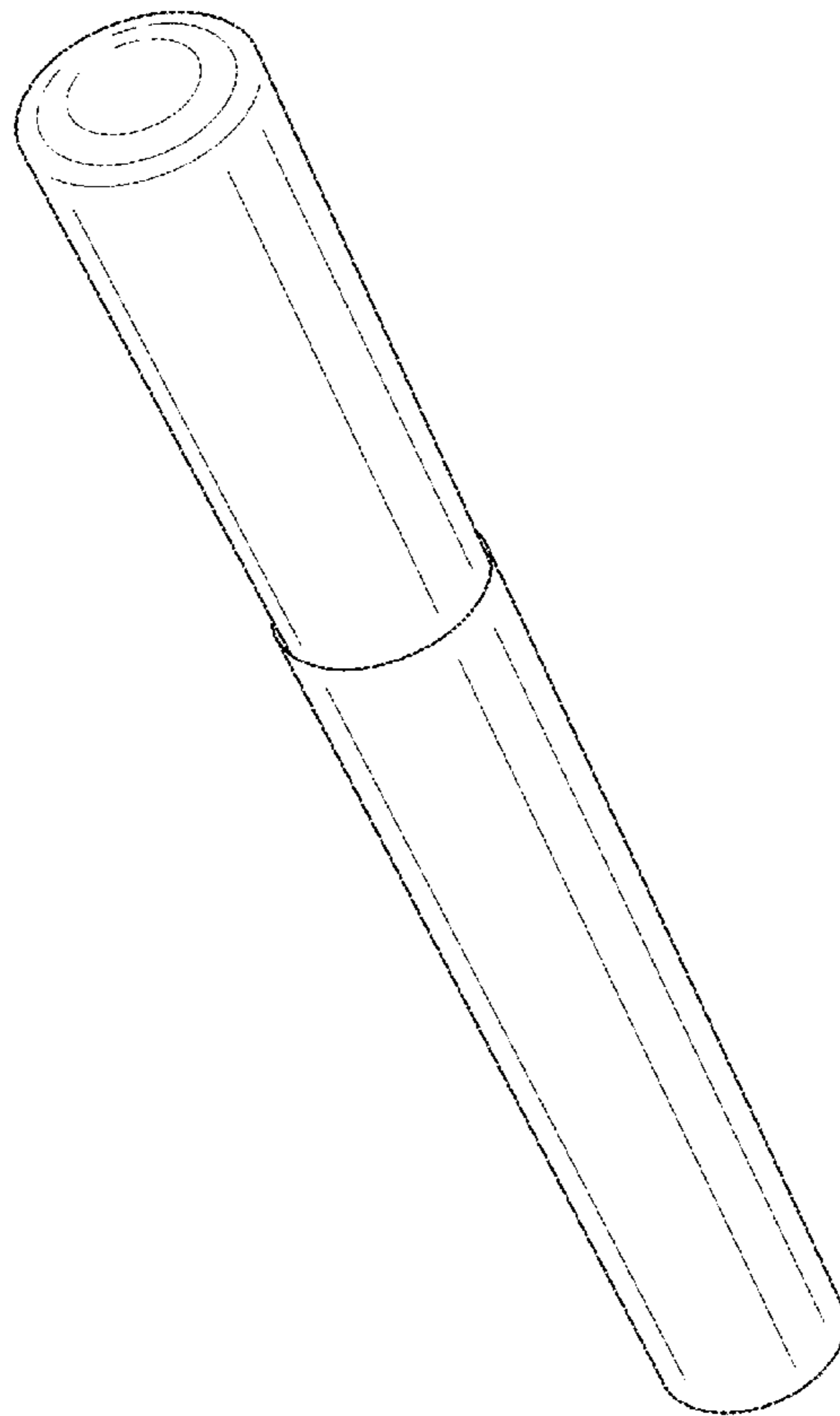
(57) **CLAIM**

The ornamental design for a fluid dispenser, as shown and described.

DESCRIPTION

FIG. 1 is a perspective view of a fluid dispenser;
FIG. 2 is a side view thereof;
FIG. 3 is a bottom view thereof; and,
FIG. 4 is a top view thereof.
The broken lines in FIG. 3 are included for the purpose of illustrating a portion of the fluid dispenser that forms no part of the claimed design.

1 Claim, 4 Drawing Sheets



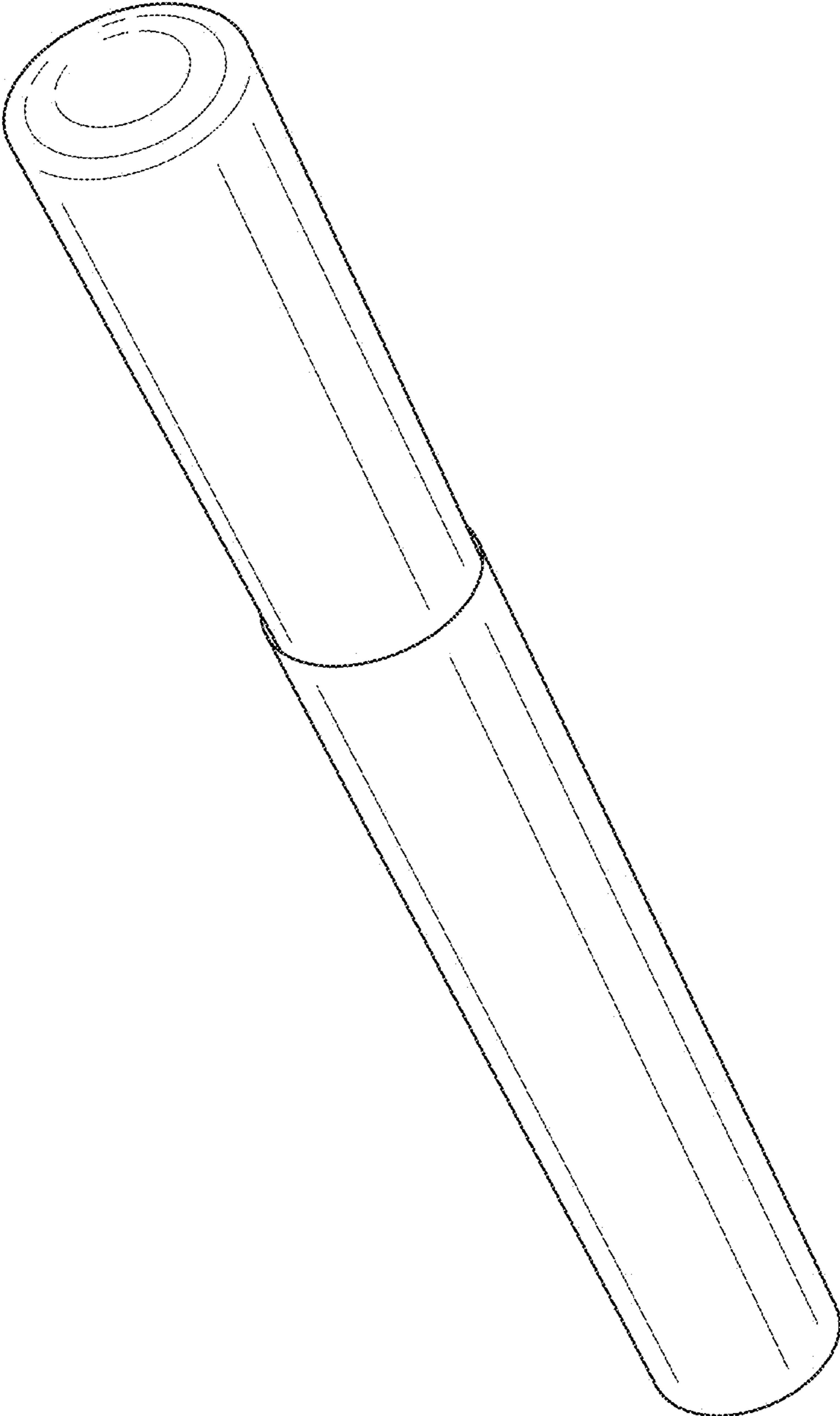


FIG. 1

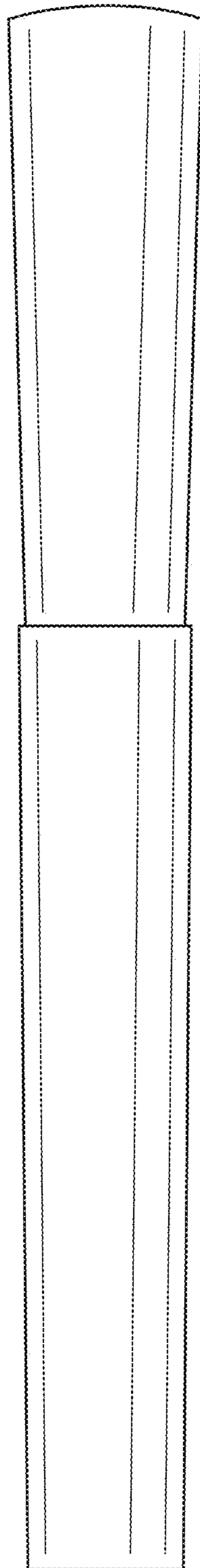


FIG. 2

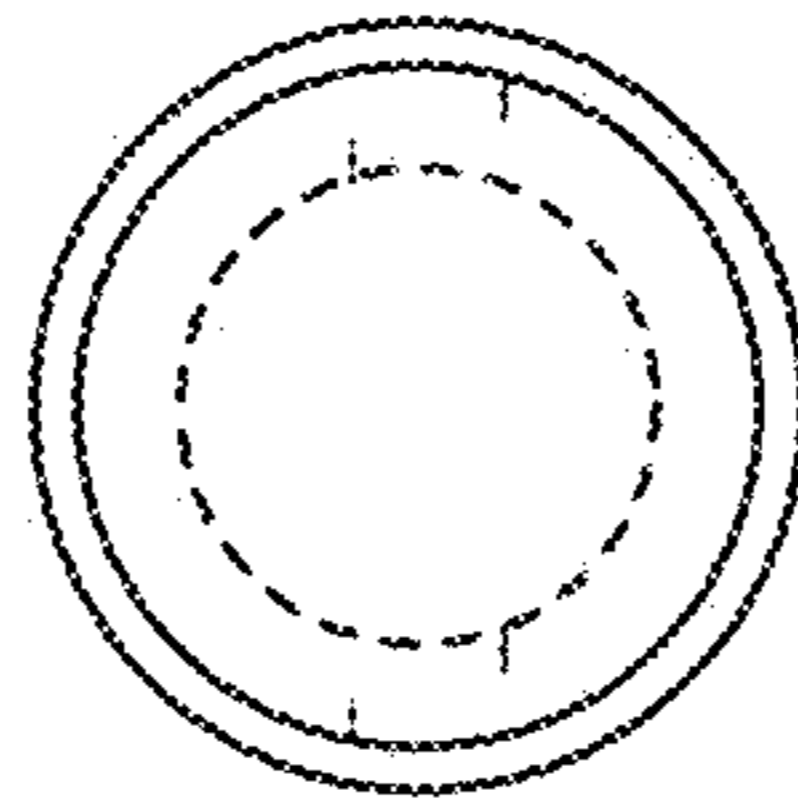


FIG. 3

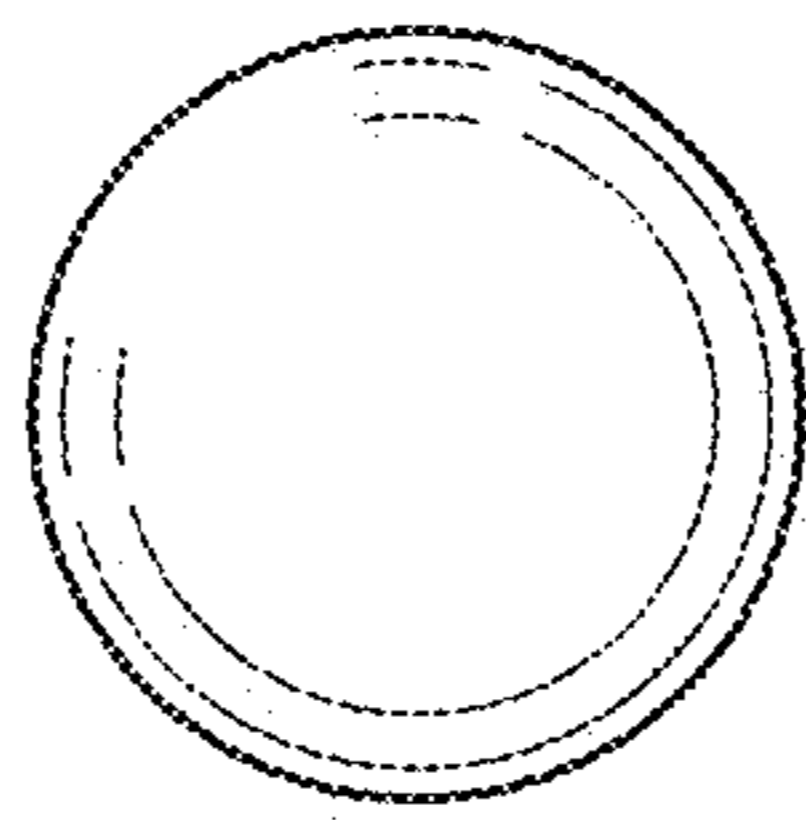


FIG. 4