



US00D696412S

(12) **United States Design Patent**  
**Imboden et al.**

(10) **Patent No.:** **US D696,412 S**

(45) **Date of Patent:** **\*\* Dec. 24, 2013**

(54) **MASSAGING SLEEVE**

D514,226 S \* 1/2006 Nan ..... D24/215  
D636,887 S \* 4/2011 Nan ..... D24/215  
D669,996 S \* 10/2012 Chen ..... D24/214

(71) Applicant: **Jimmyjane, Inc.**, San Francisco, CA  
(US)

\* cited by examiner

(72) Inventors: **Ethan F. Imboden**, San Francisco, CA  
(US); **Jeff Wyatt**, Bozeman, MT (US)

*Primary Examiner* — Sandra Snapp

(73) Assignee: **Jimmyjane, Inc.**, San Francisco, CA  
(US)

(57) **CLAIM**

The ornamental design for a massaging sleeve, as shown and described.

(\*\*) Term: **14 Years**

**DESCRIPTION**

(21) Appl. No.: **29/433,659**

FIG. 1 is a front perspective view of a massaging sleeve according to our new design;

(22) Filed: **Oct. 2, 2012**

FIG. 2 is a front view of the massaging sleeve of FIG. 1;

(51) **LOC (9) Cl.** ..... **28-03**

FIG. 3 is a rear view of the massaging sleeve of FIG. 1;

(52) **U.S. Cl.**

FIG. 4 is a left side view of the massaging sleeve of FIG. 1;

USPC ..... **D24/215**

FIG. 5 is a right side view of the massaging sleeve of FIG. 1;

(58) **Field of Classification Search**

FIG. 6 is a top view of the massaging sleeve of FIG. 1;

USPC ..... D24/200, 211, 212, 213, 214, 215;  
601/114, 120, 121, 124, 125, 130, 131,  
601/134, 135, 136, 137

FIG. 7 is a bottom view of the massaging sleeve of FIG. 1;

See application file for complete search history.

FIG. 8 is a front perspective view of an alternative embodiment of a massaging sleeve according to our new design;

(56) **References Cited**

**U.S. PATENT DOCUMENTS**

3,461,859 A \* 8/1969 Fortnam ..... 601/74  
5,601,529 A \* 2/1997 Wollman ..... 601/74  
6,203,509 B1 \* 3/2001 Duboff ..... 601/70  
D459,478 S \* 6/2002 Perricone ..... D24/200  
6,748,604 B2 \* 6/2004 Duboff et al. .... 2/160

FIG. 9 is a front view of the massaging sleeve of FIG. 8;

FIG. 10 is a rear view of the massaging sleeve of FIG. 8;

FIG. 11 is a left side view of the massaging sleeve of FIG. 8;

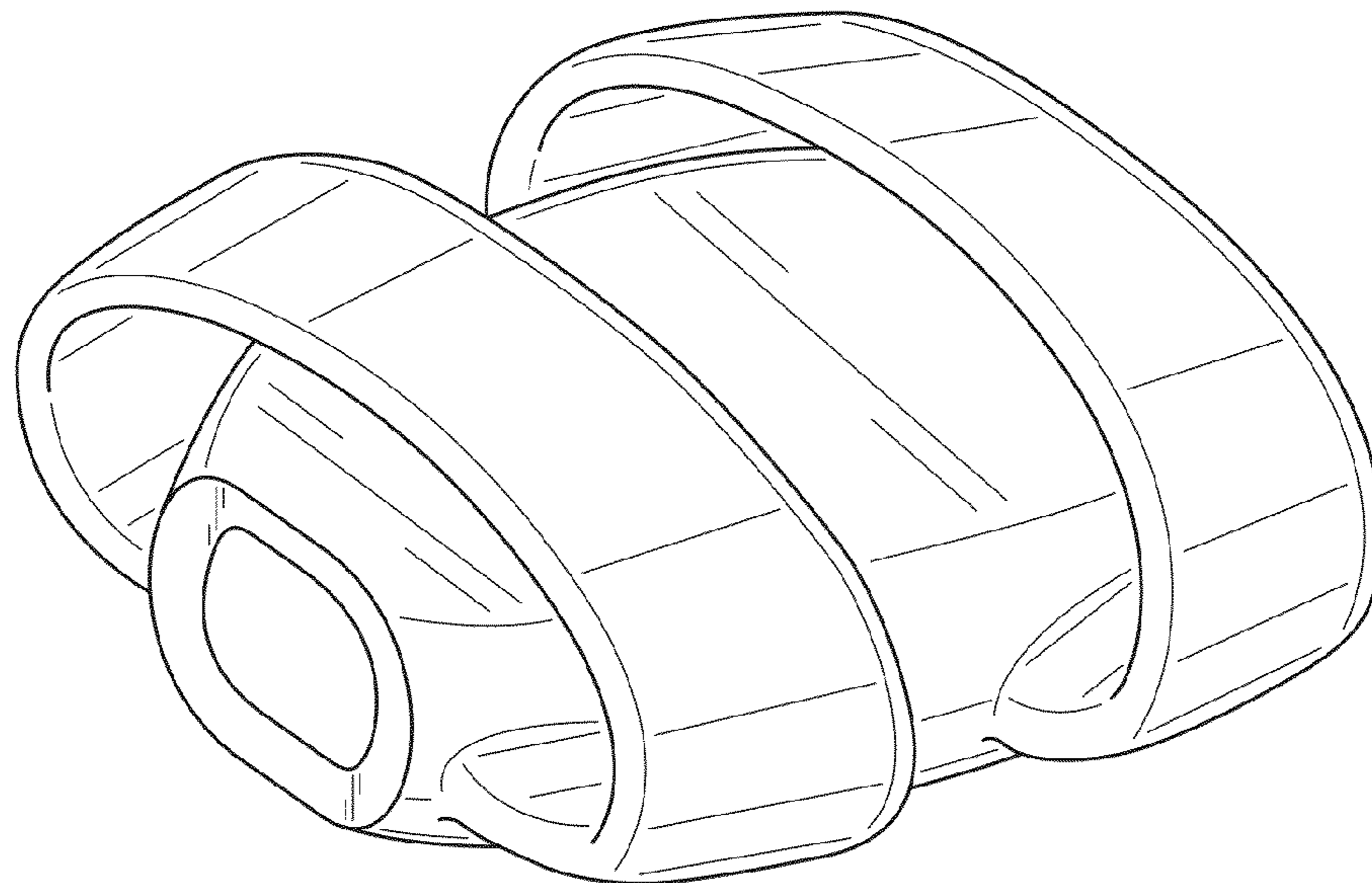
FIG. 12 is a right side view of the massaging sleeve of FIG. 8;

FIG. 13 is a top view of the massaging sleeve of FIG. 8; and,

FIG. 14 is a bottom view of the massaging sleeve of FIG. 8.

Elements shown in broken lines are for illustrative purposes only and form no part of our claimed design.

**1 Claim, 8 Drawing Sheets**



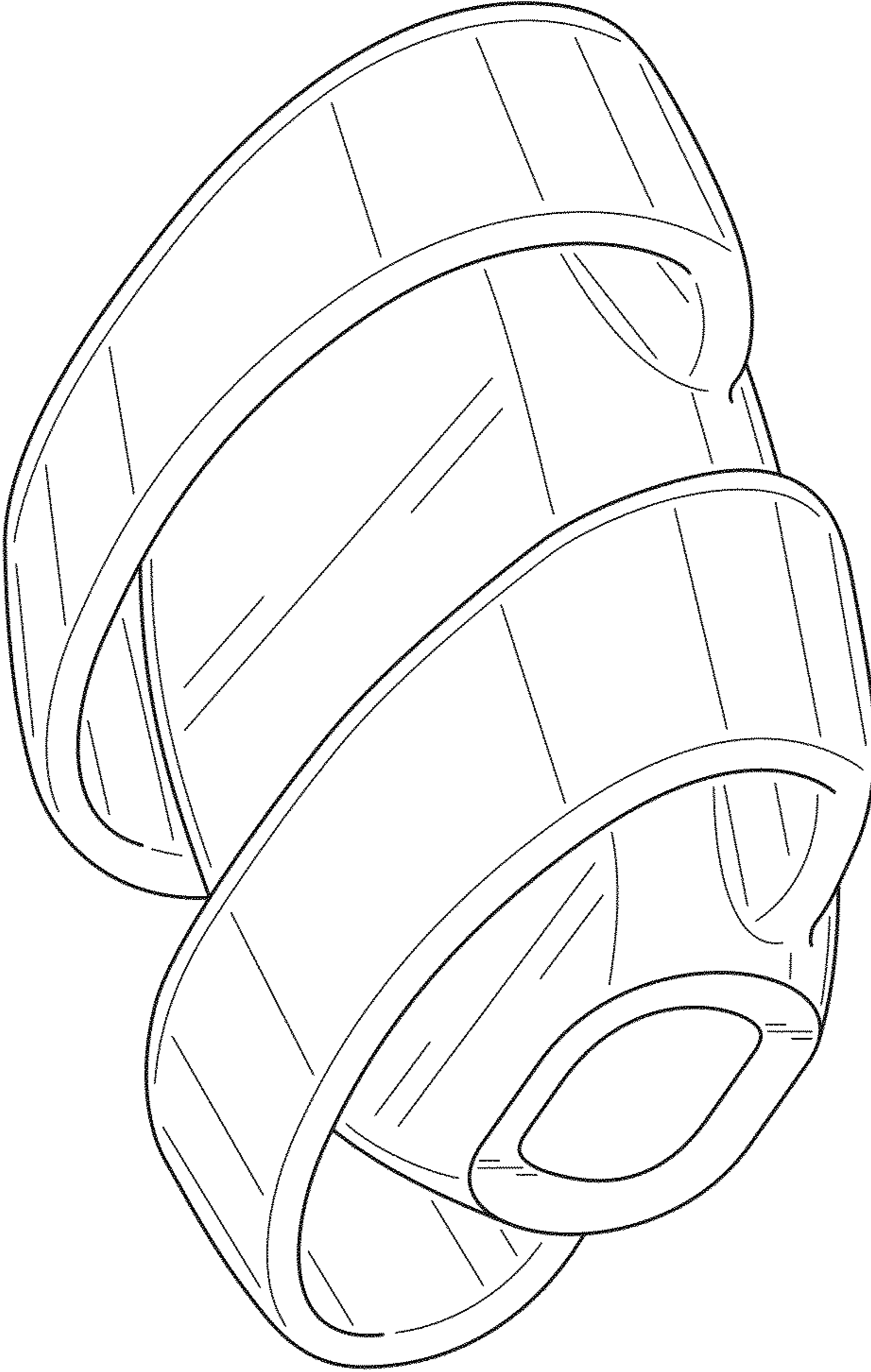


FIG. 1

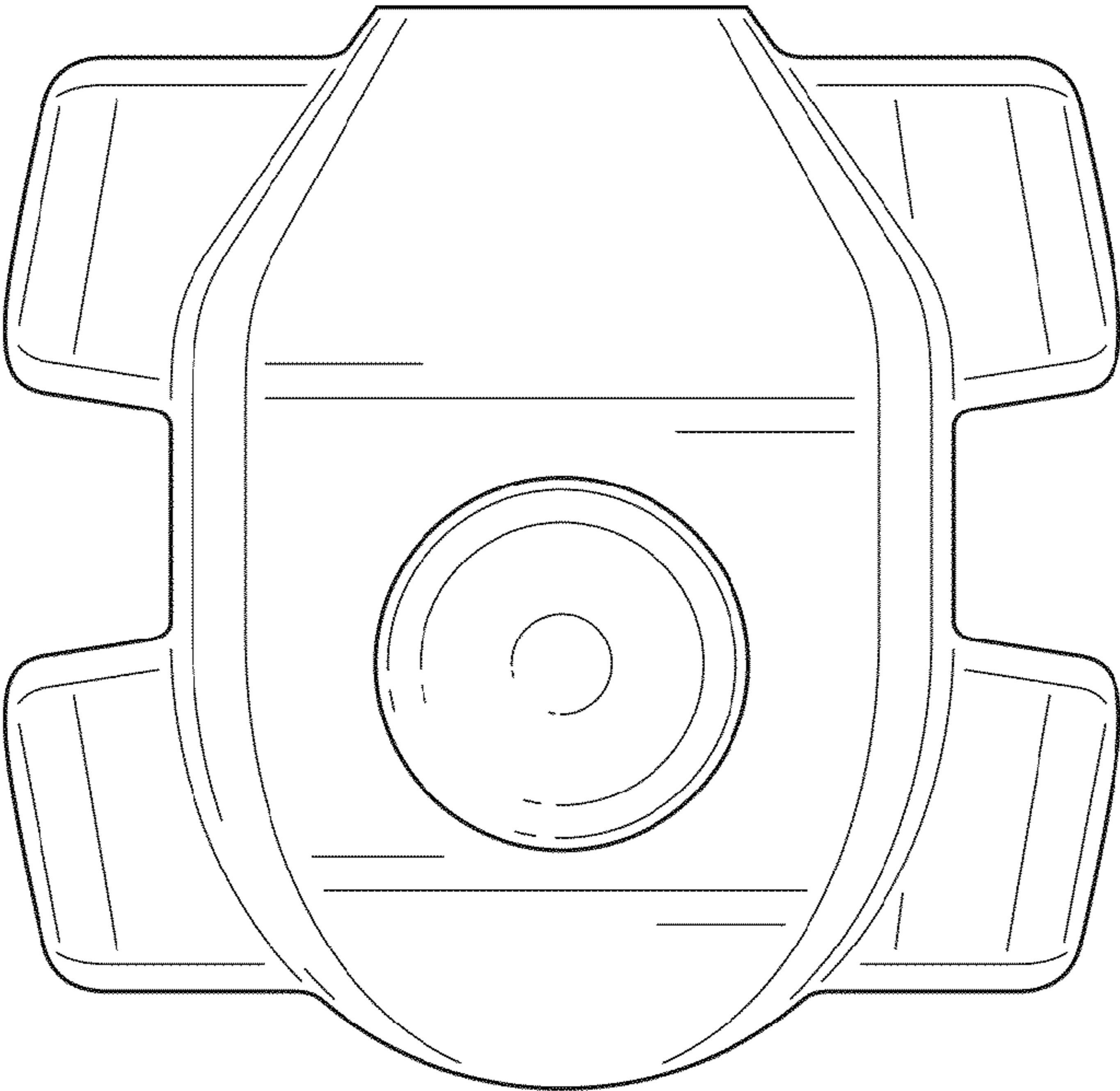


FIG. 3

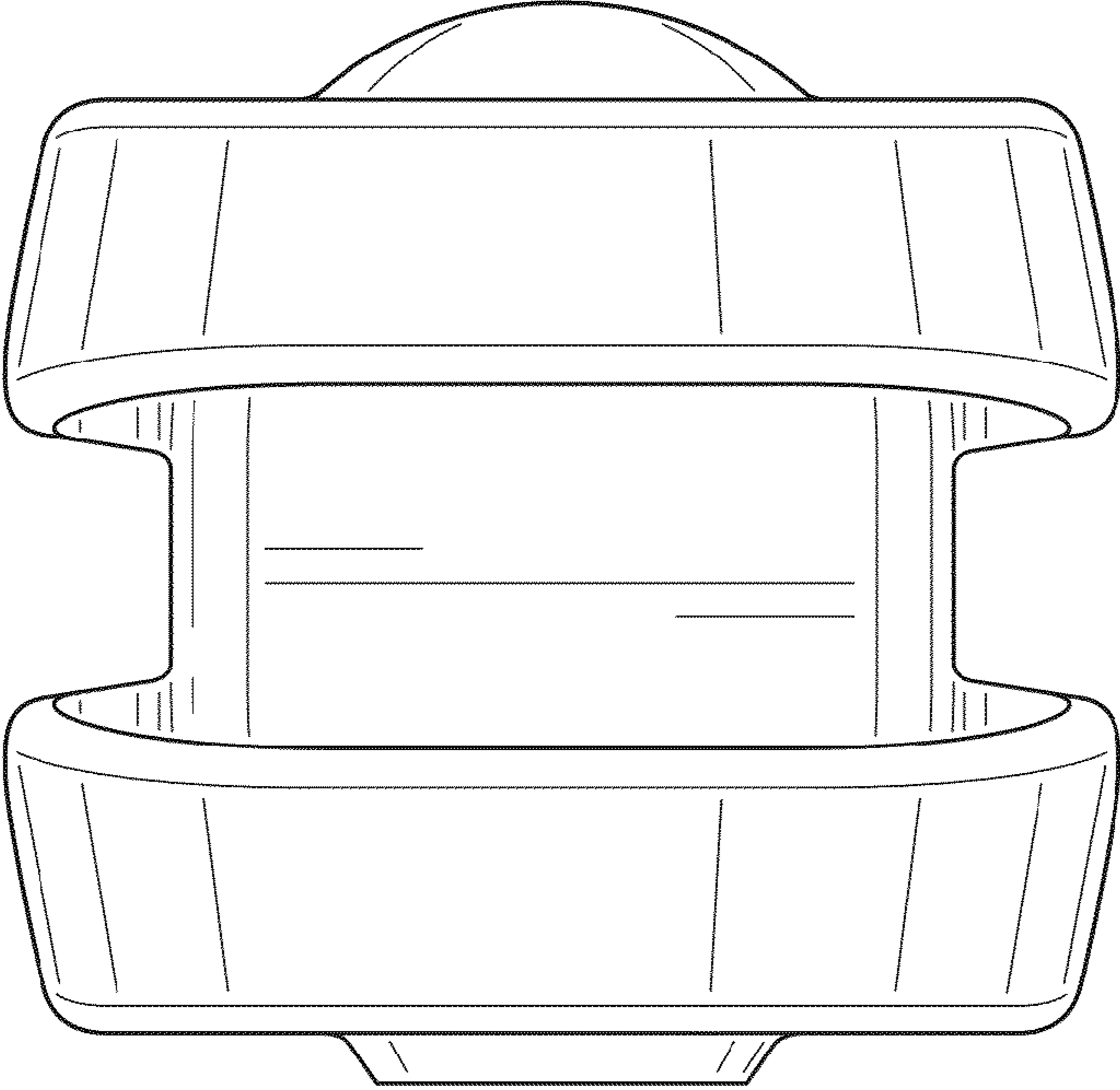


FIG. 2

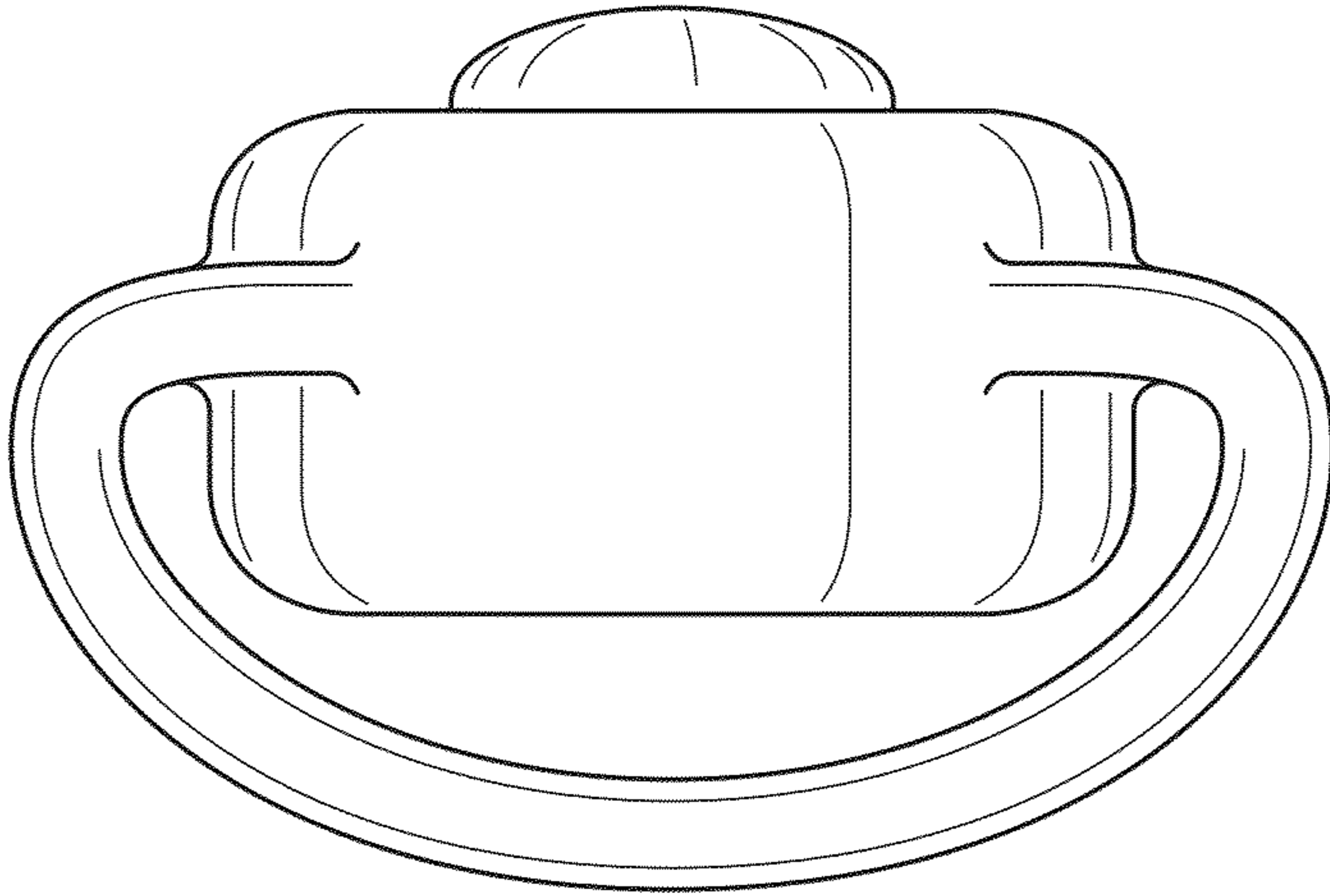


FIG. 5

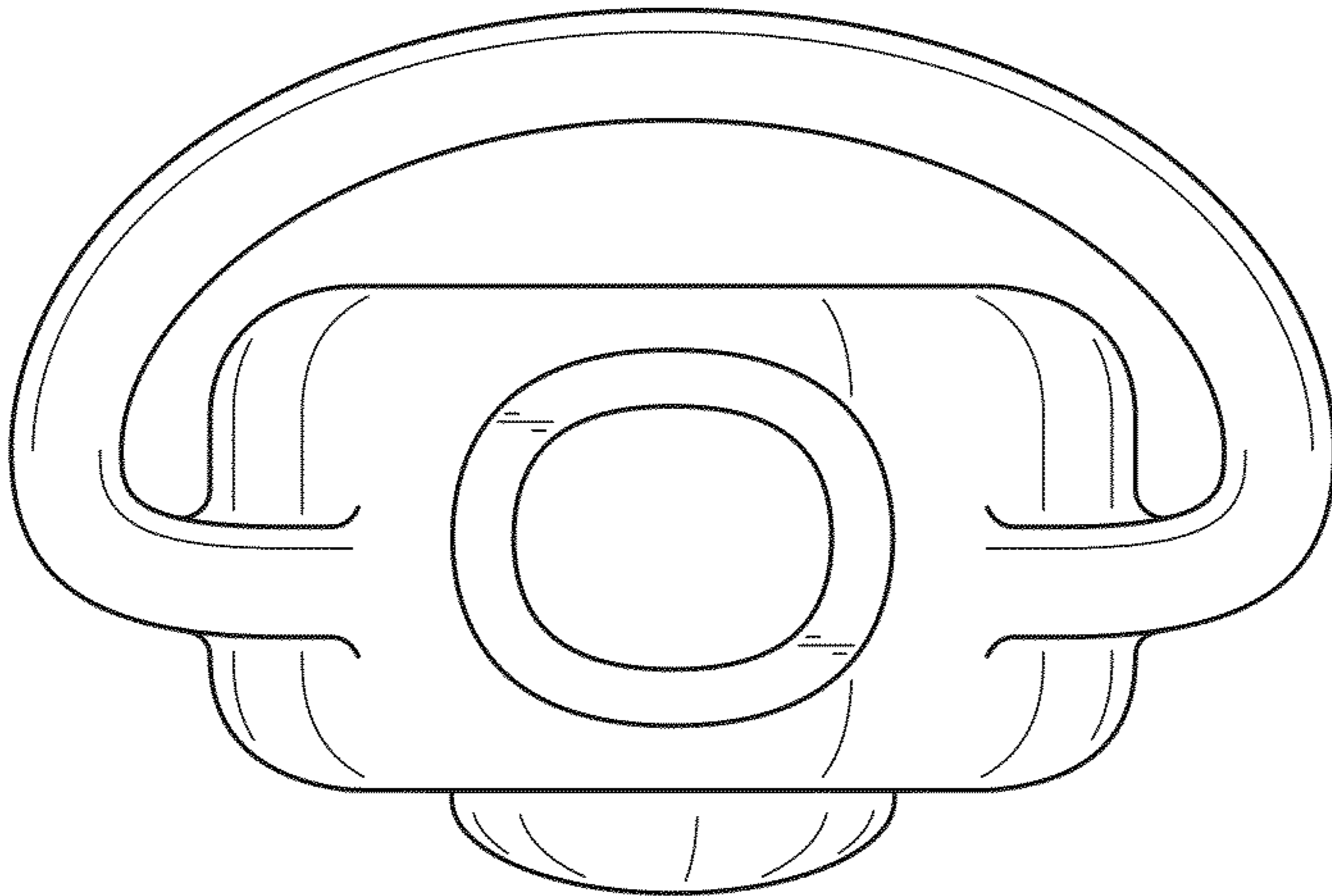


FIG. 4

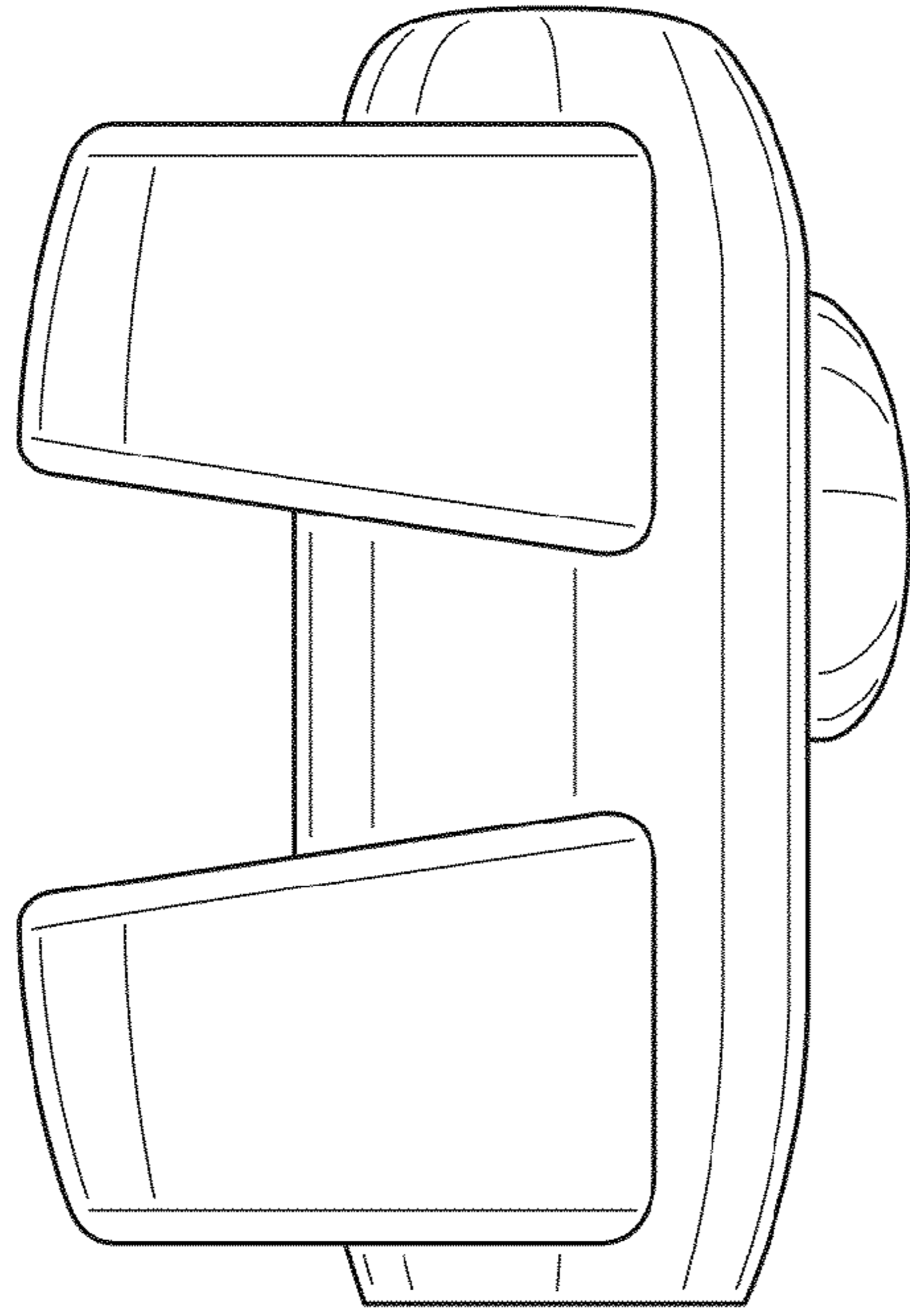


FIG. 7

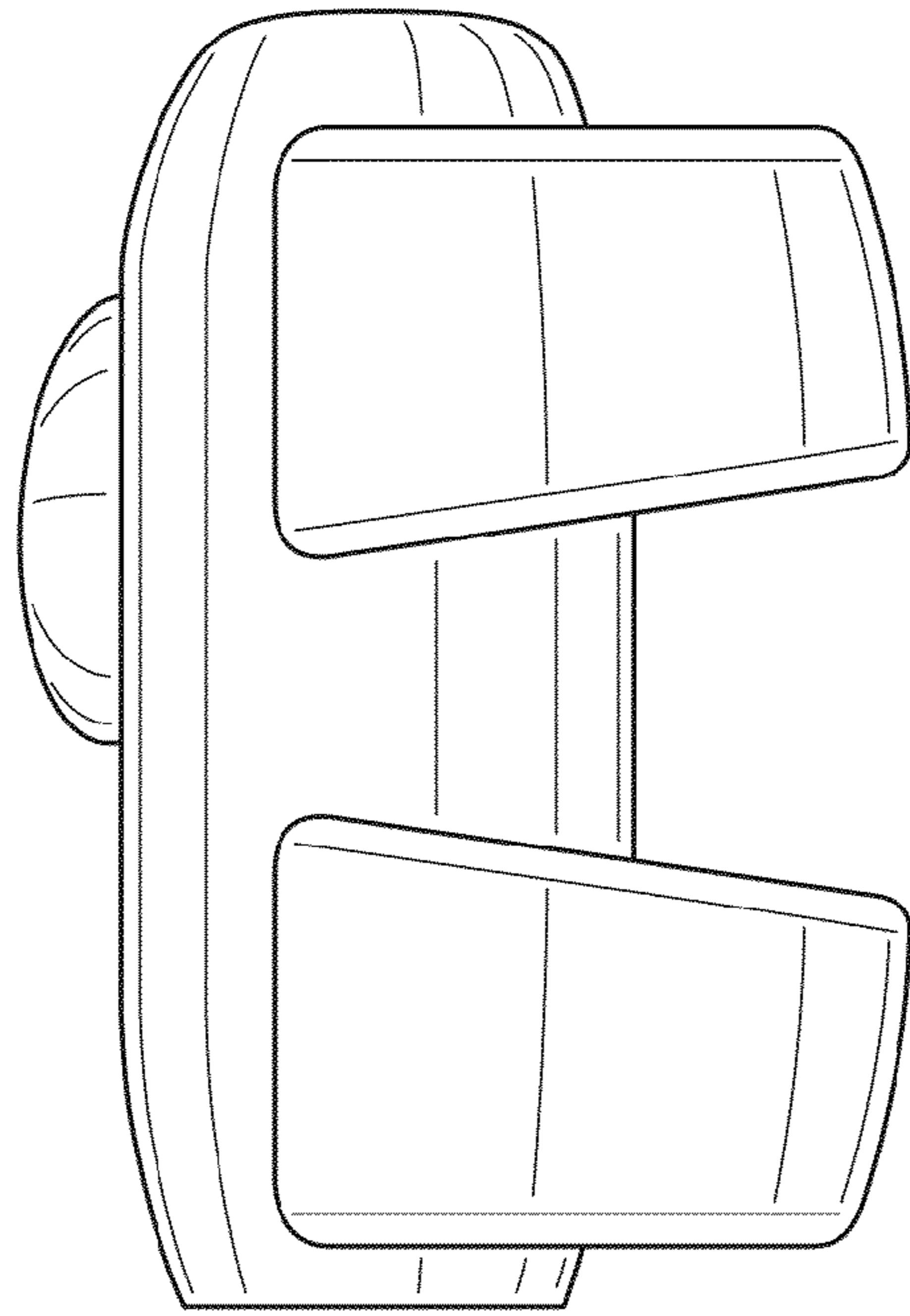


FIG. 6

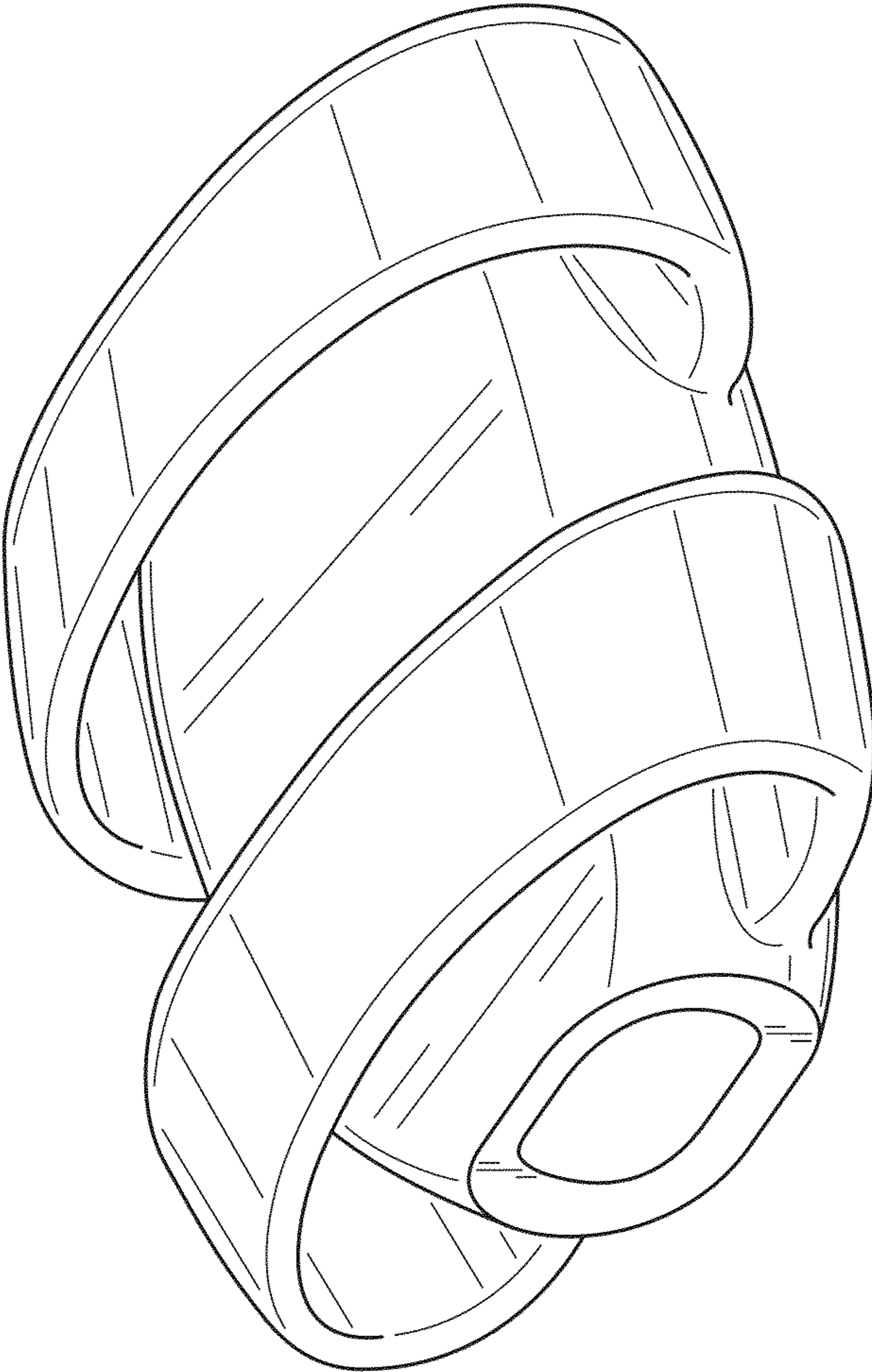


FIG. 8

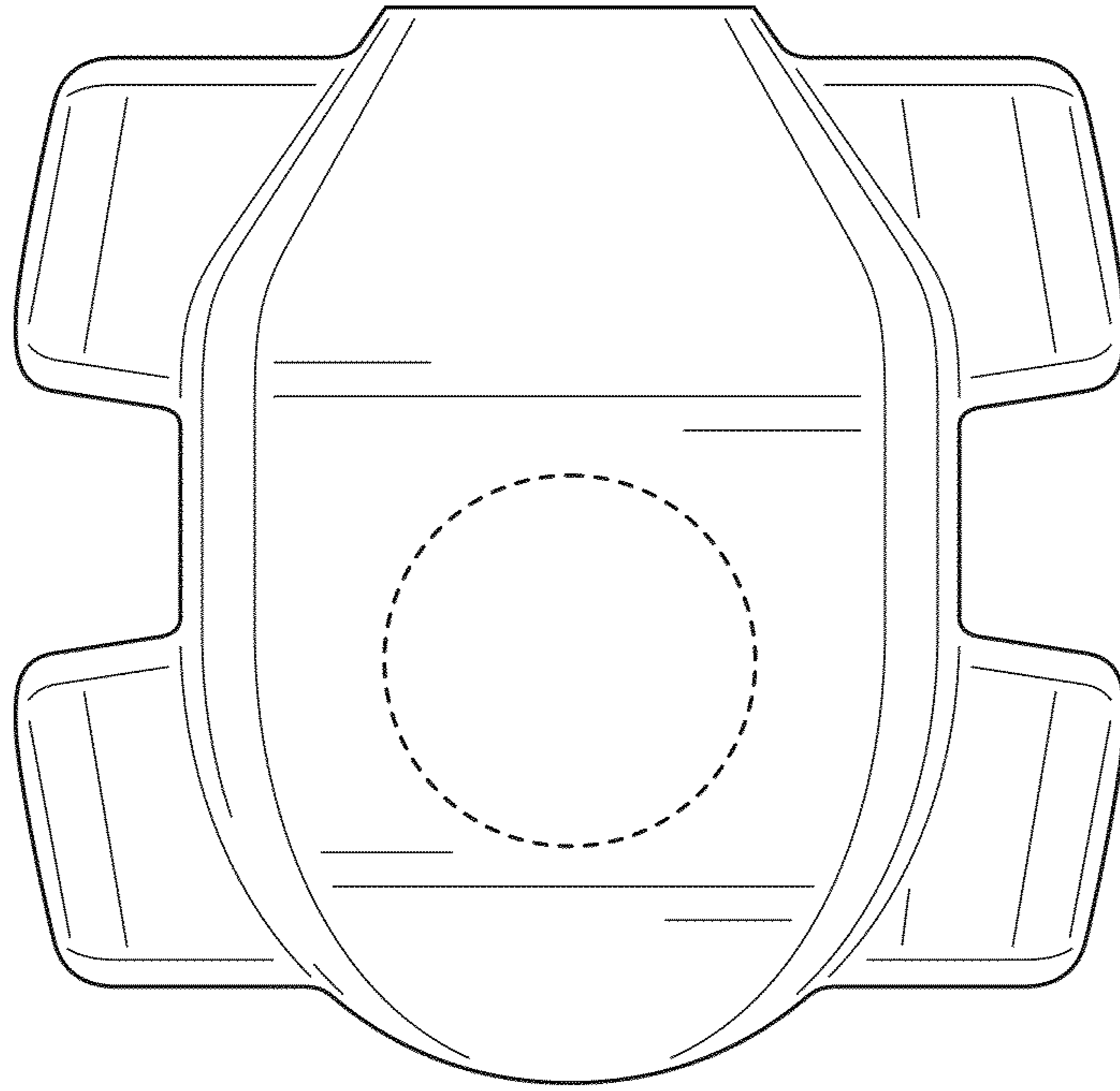


FIG. 10

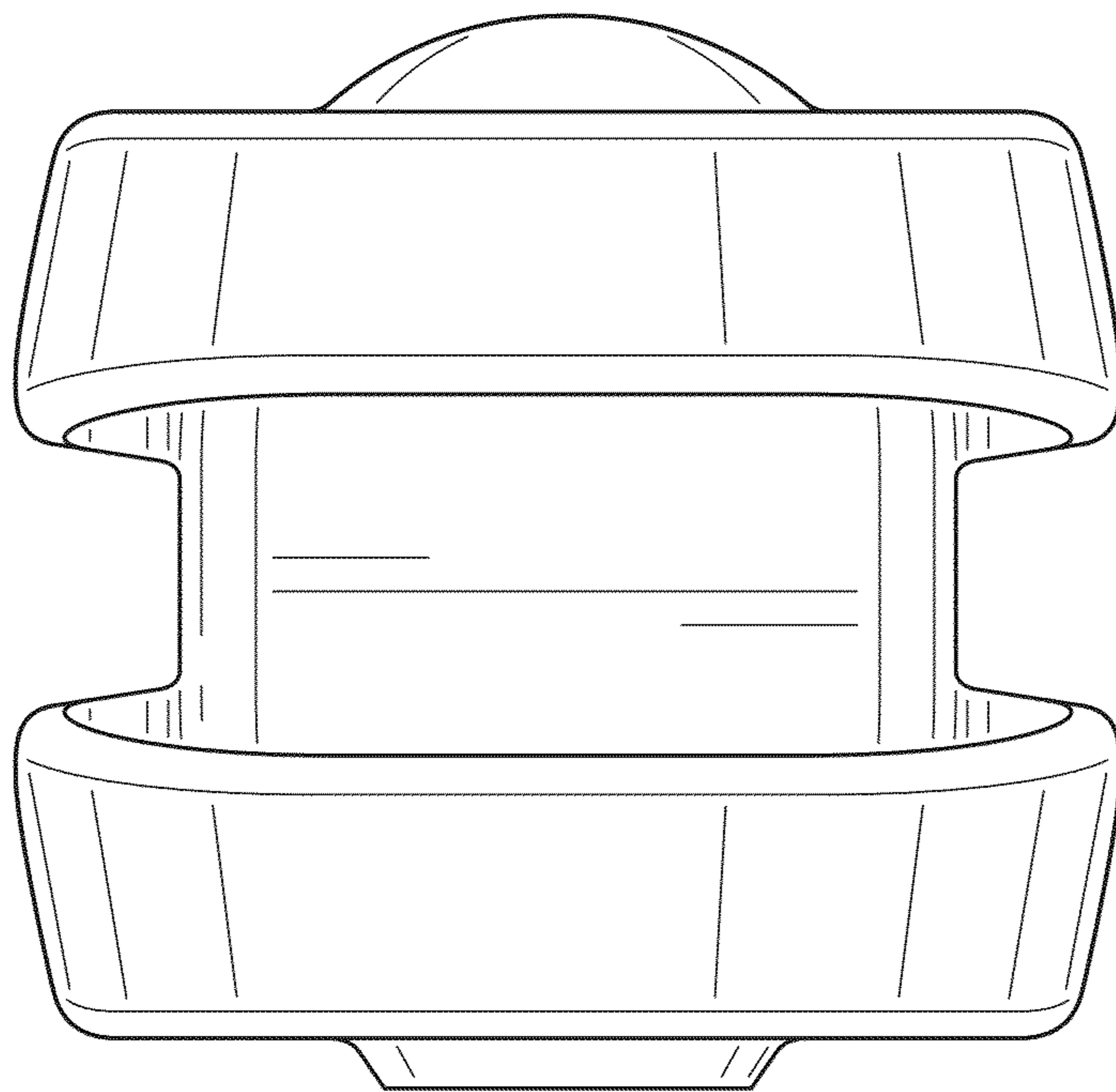


FIG. 9

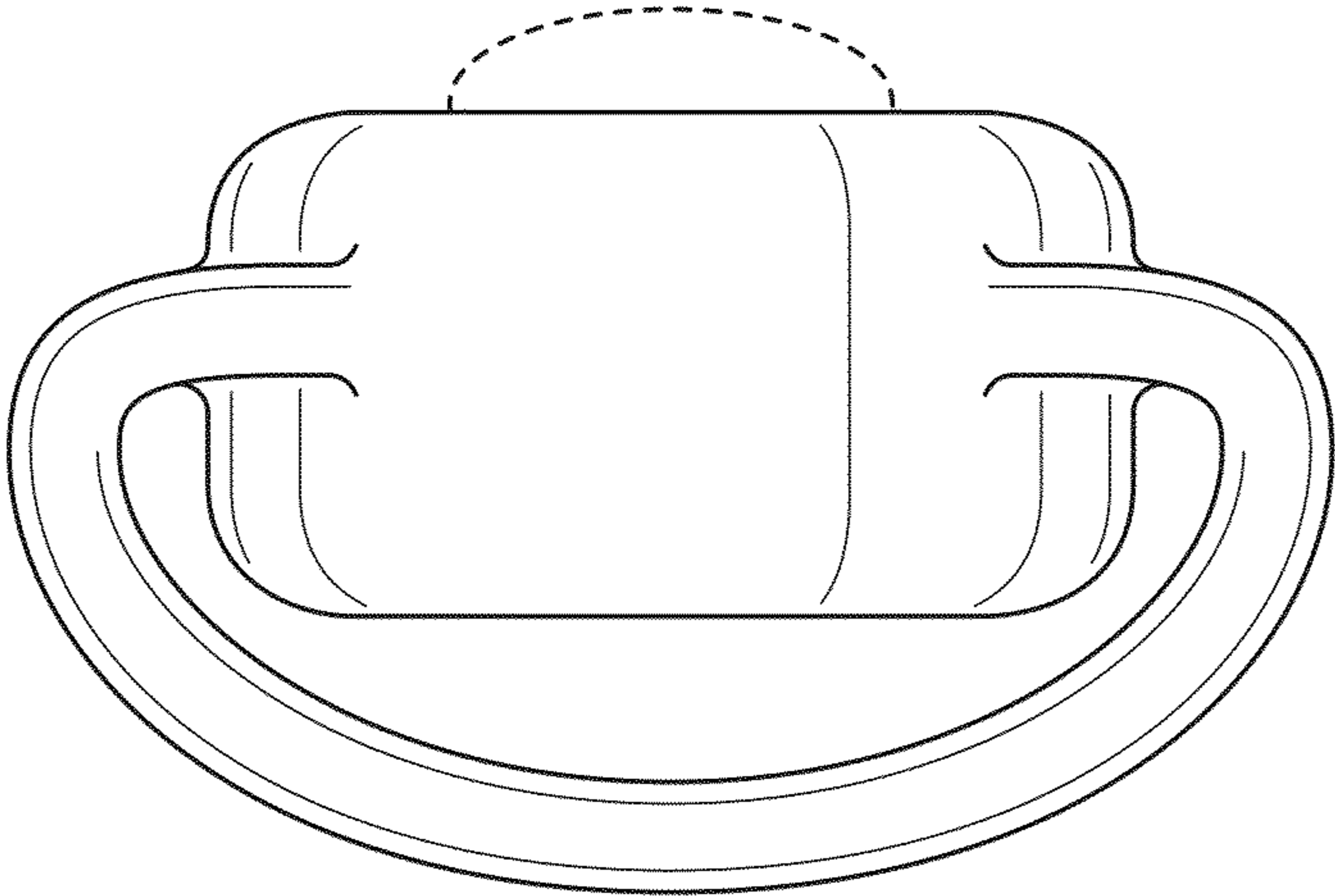


FIG. 12

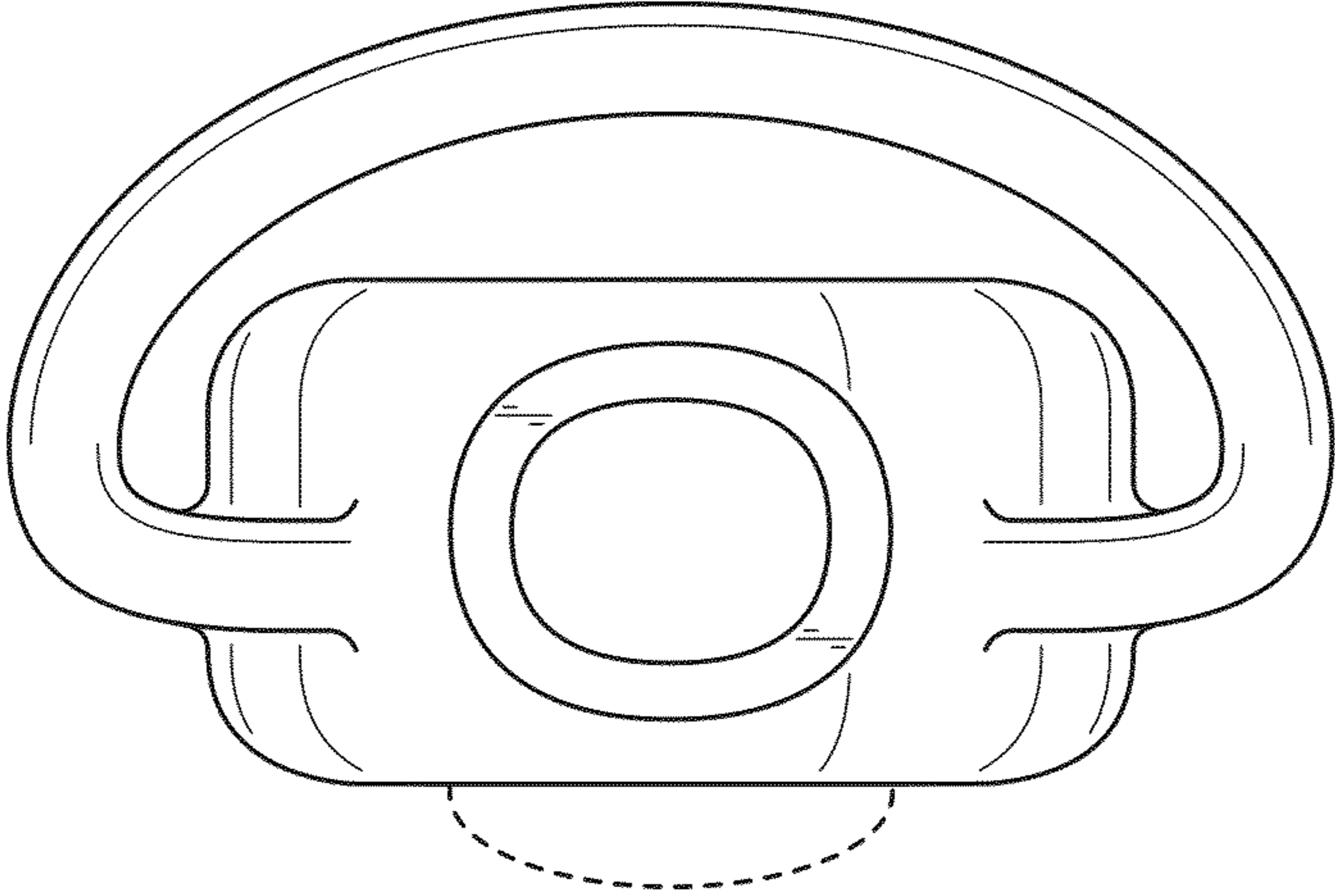


FIG. 11



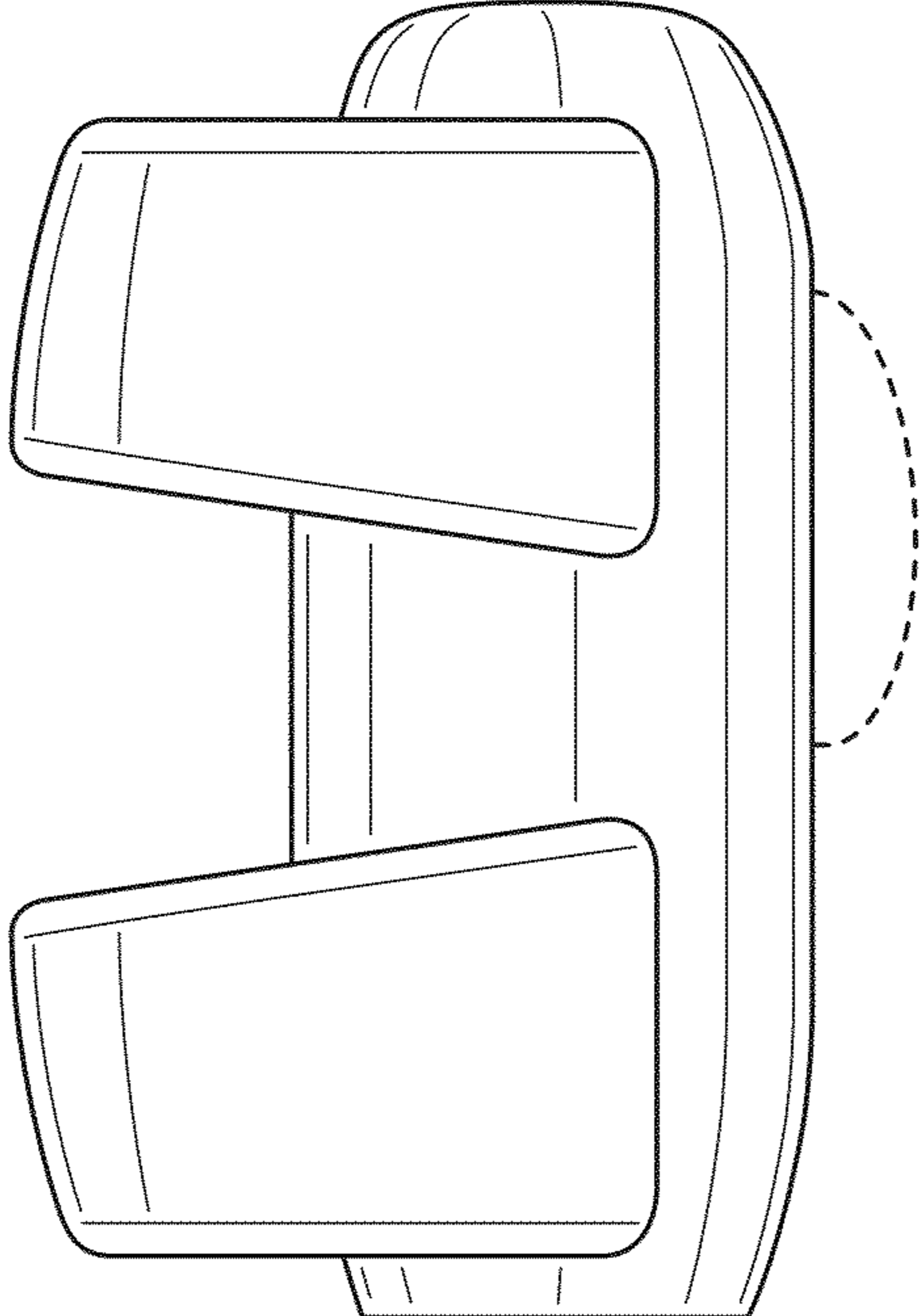


FIG. 14

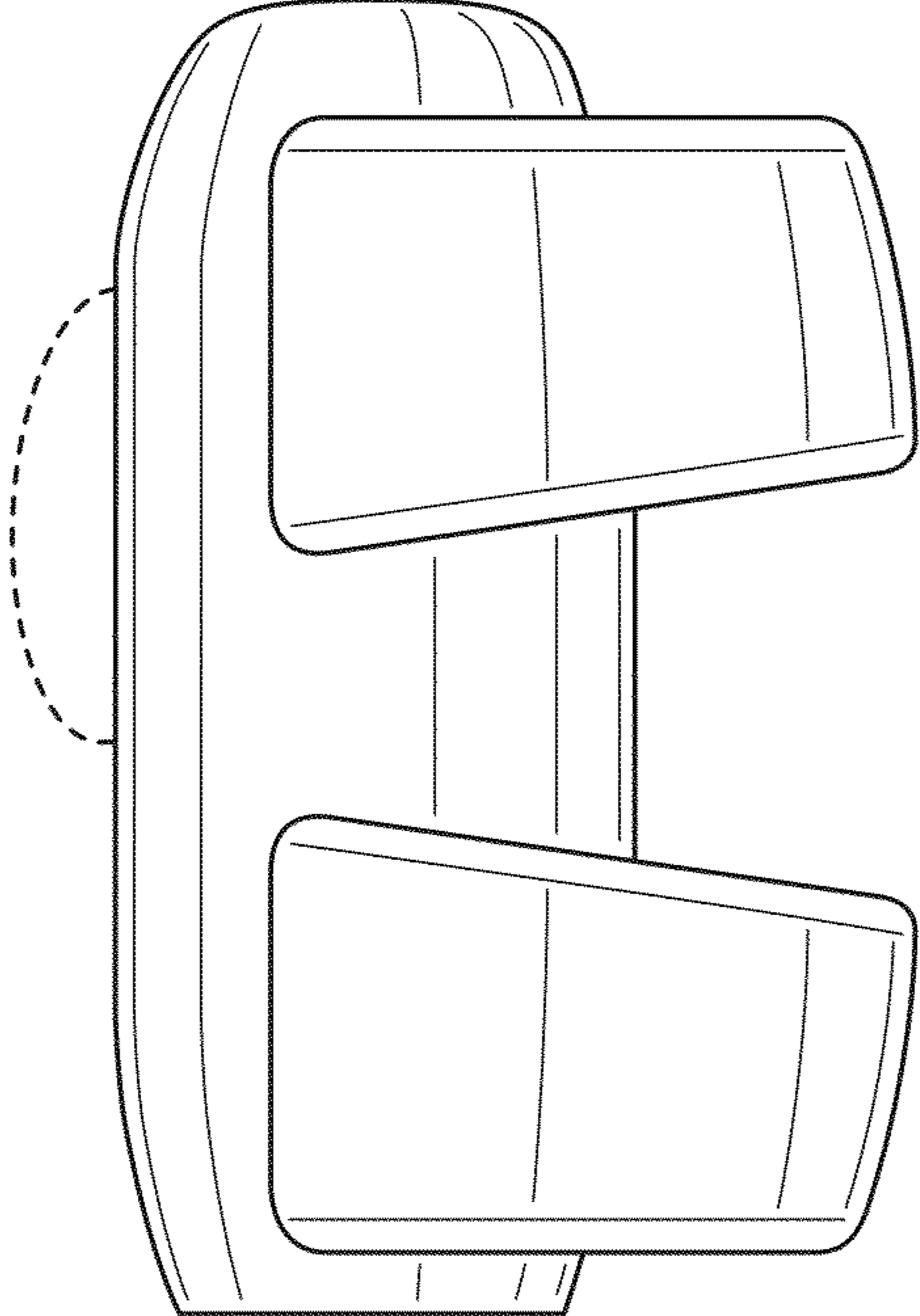


FIG. 13